

## **SPARE PARTS BX**

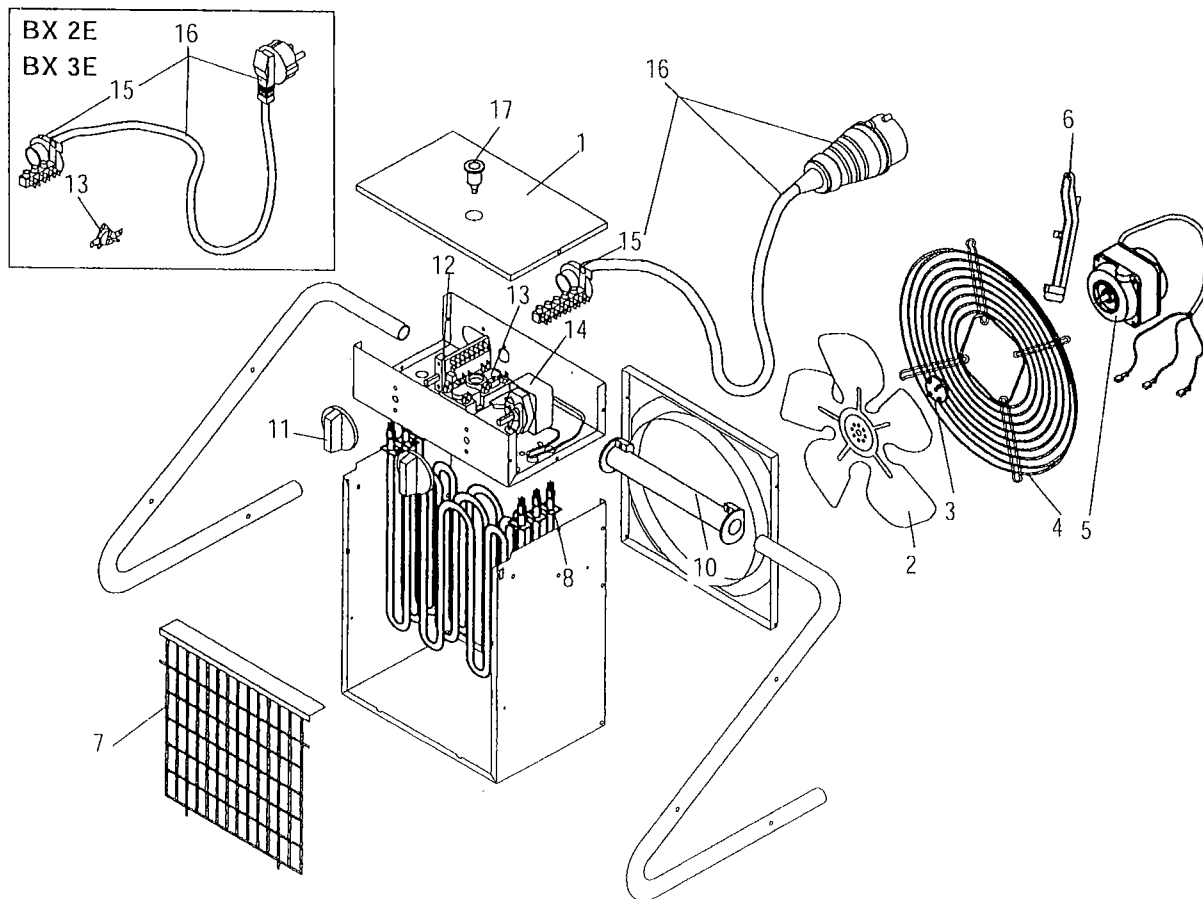
**BX 2**

**BX 3**

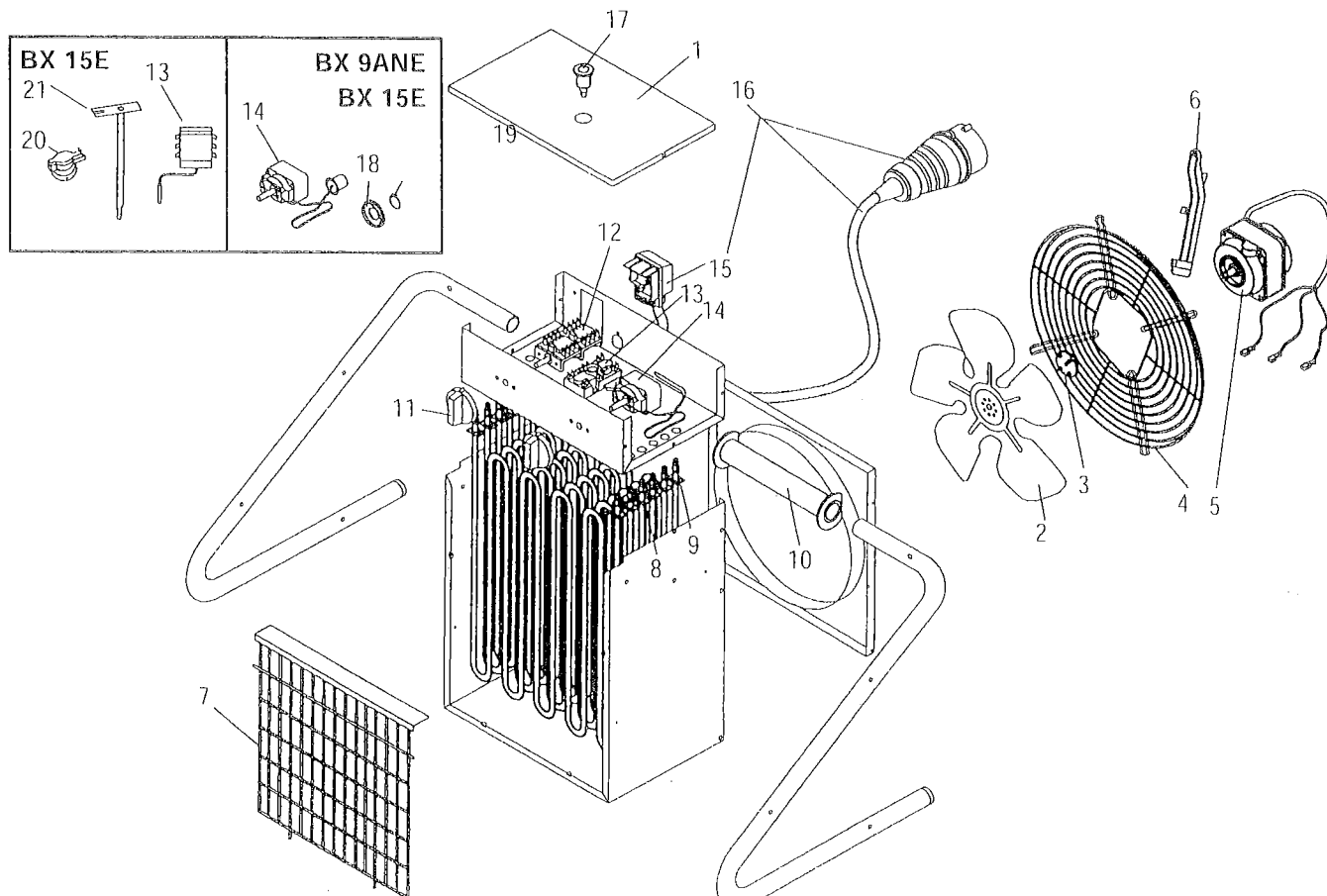
**BX 5**

**BX 9**

**BX 15**



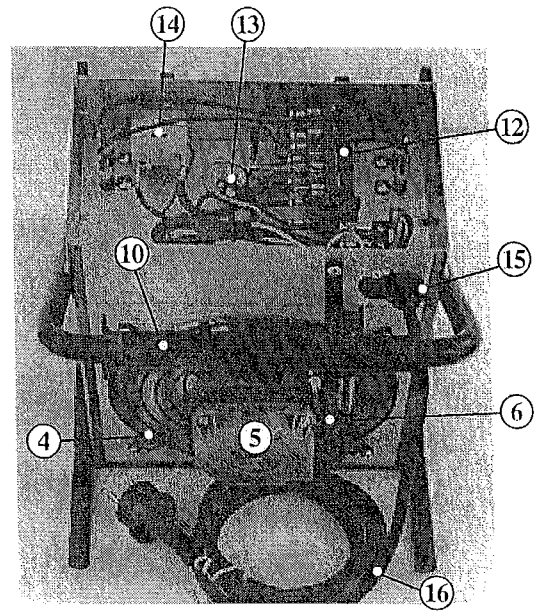
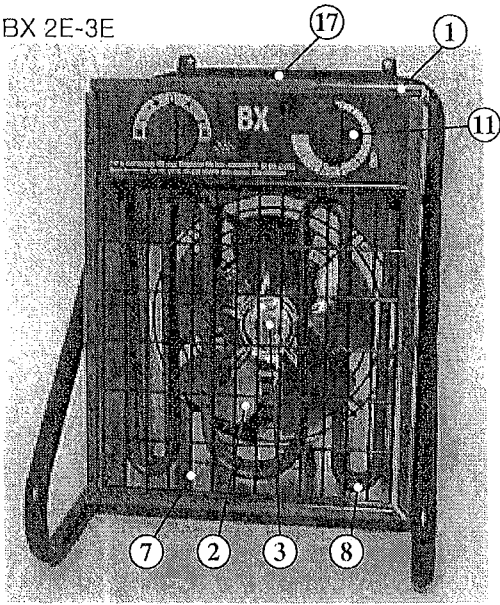
**BX 2E, 3E, 5E**



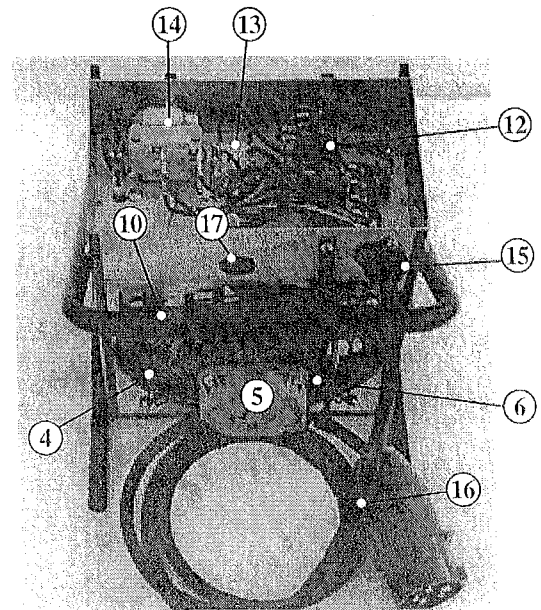
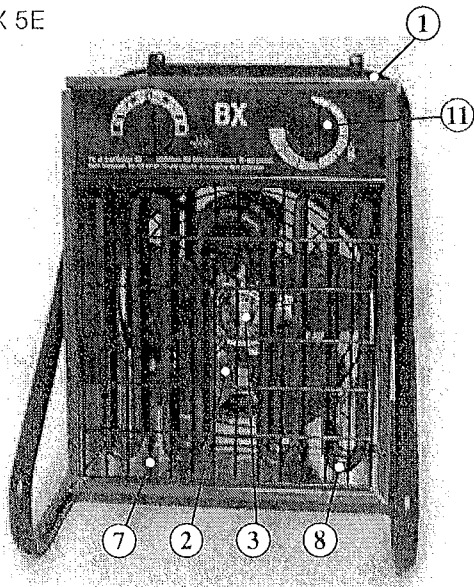
**BX 9AE, 9ANE, 9SE, BX 15E**

Reservdelar/Reservedele/Reservedeler/Varaosat/Spare parts/Ersatzteile/Pièces détachées/Parti di ricambio/Reserve-onderdelen/  
Części zamienne/Запасные части

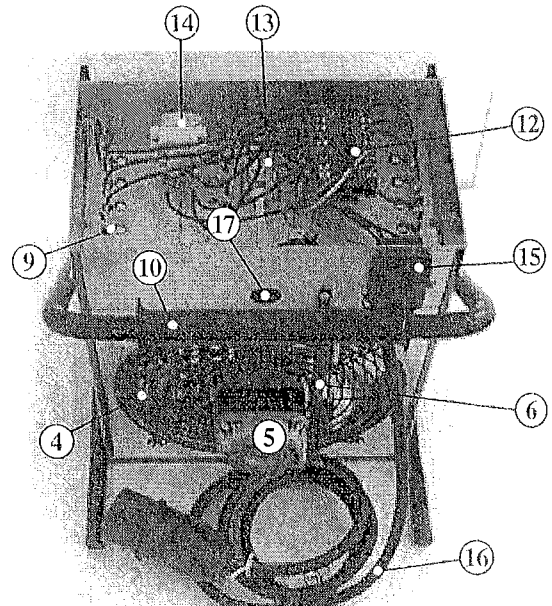
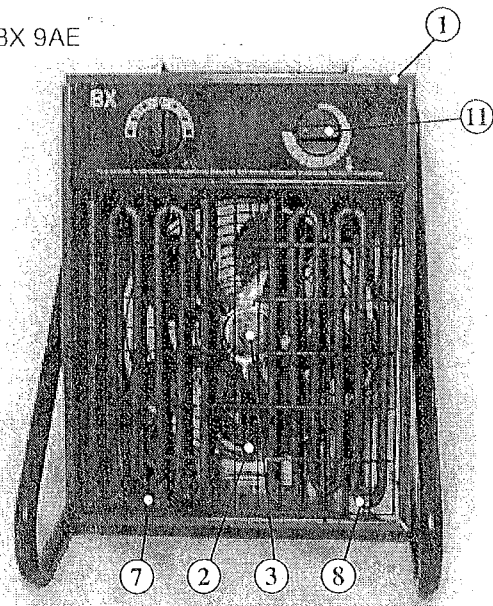
BX 2E-3E



BX 5E

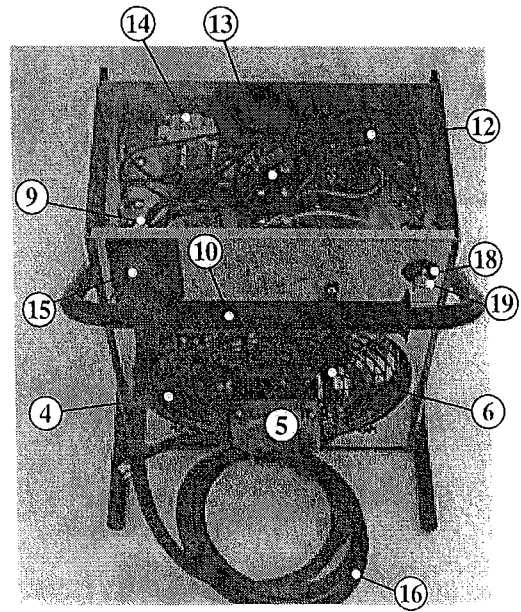
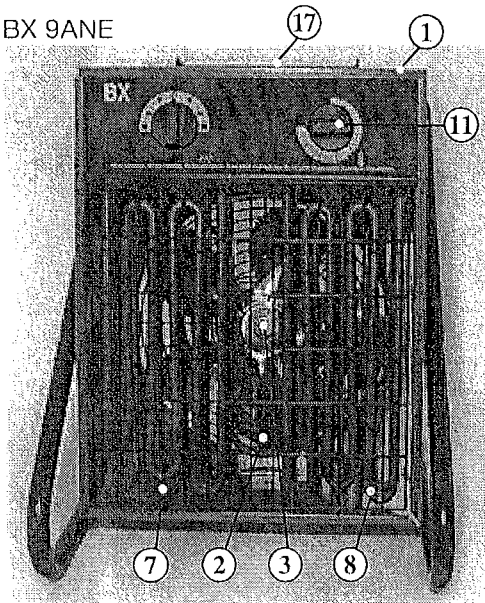


BX 9AE

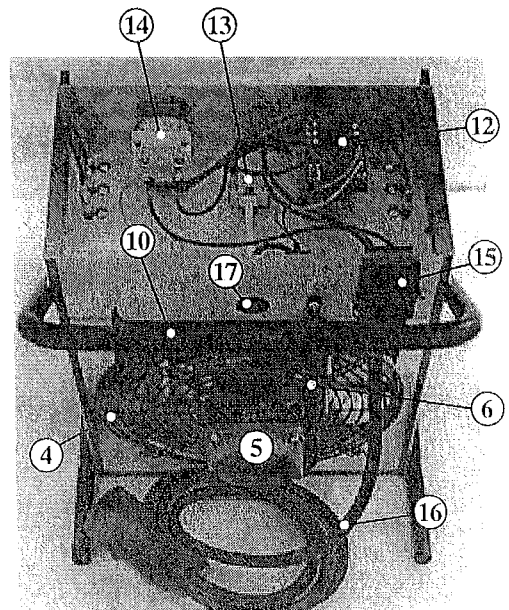
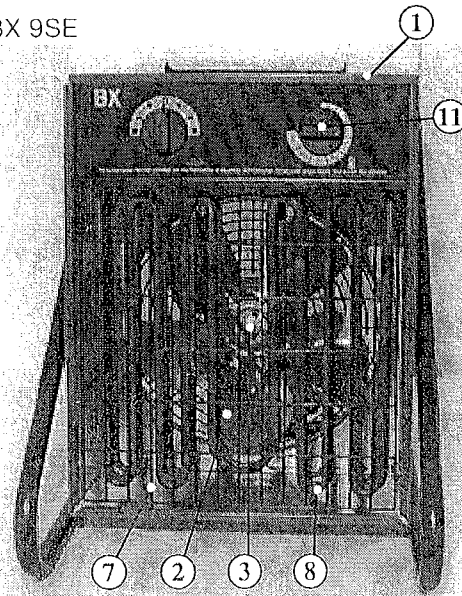


Reservdelar/Reservedele/Reservdeler/Varaosat/Spare parts/Ersatzteile/Pièces détachées/Parti di ricambio/Reserve-onderdelen/  
Części zamienne/Запасные части

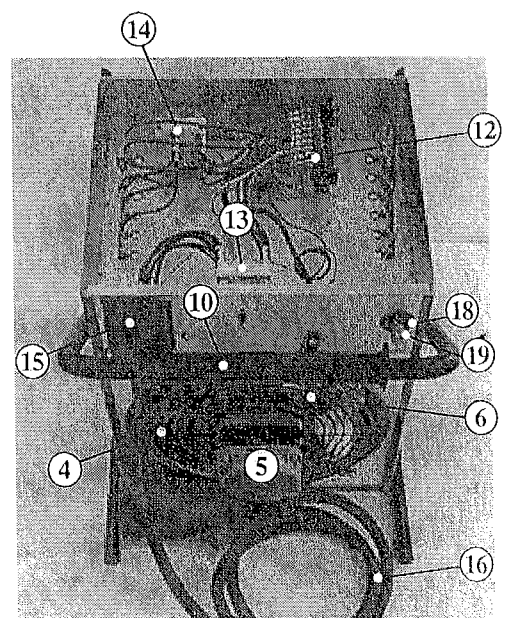
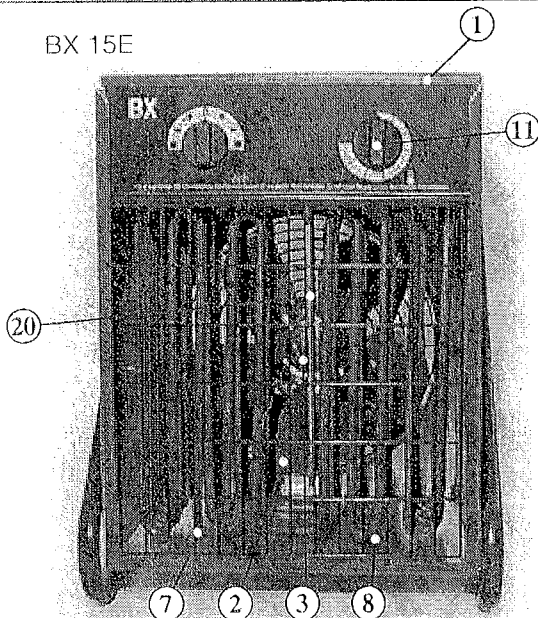
BX 9ANE



BX 9SE



BX 15E

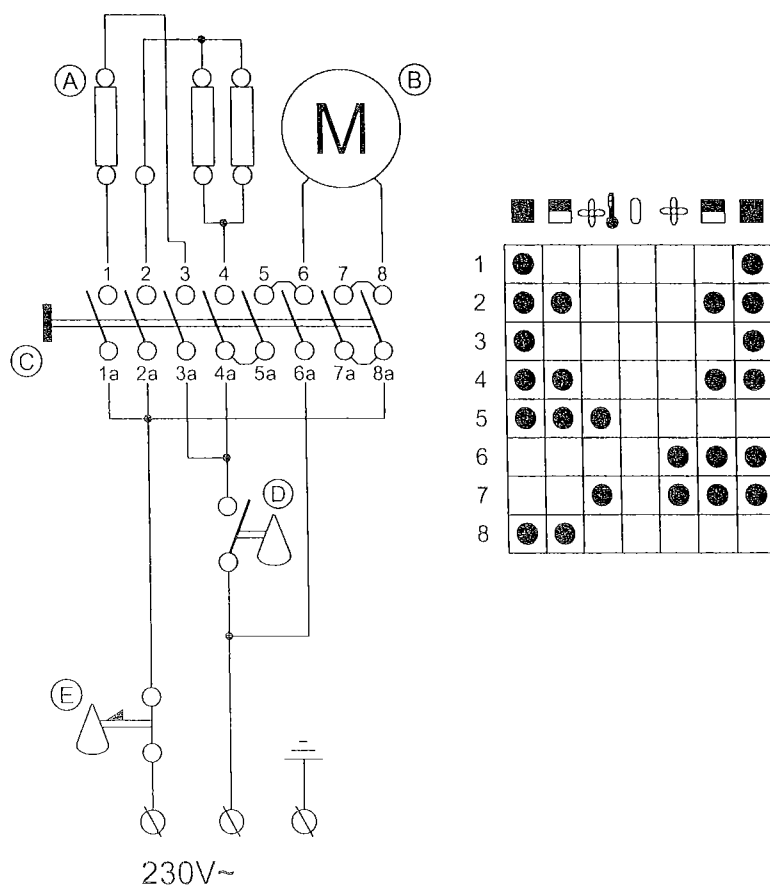


	NL	GB	F	D
	Omschrijving	Description	Description	Bezeichnung
1	Deksel	Cover	Couvercle	Deckel
2	Waaier	Fanblade	Ailette de ventilateur	Gebläseflügel
3	Koppelingsstuk	Central hube	Accouplement ventilateur	Zentrumnabe
4	Aanzuigrooster	Protective grill fan	Grille de protection ventilateur	Schutzgitter Gebläse
5	Ventilatormotor	Fanmotor	Moteur de ventilateur	Gebläsemotor
6	Kabelhuls	Cableguard	Sabot de câble	Kabelschutz
7	Uitblaasrooster	Protective grill	Grill de soufflage	Ausblasgitter
8	Verwarmingselement	Element	Élément	Heizelement
9	Serieweerstand	Series resistor	Résistance série	Serienwiderstand
10	Handgeep	Handle	Poignée	Handgriff
11	Draaiknop	Knob	Poignée	Drehschalter
12	Schakelaar	Switch	Interrupteur	Schalter
13	Oververhittingsthermostaat	Overheating cut-out	Protection contre la surchauffe	Überhitzungsschutz
14	Thermostaat	Thermostat	Thermostat	Thermostat
15	Stroomaansluitblok	Connection box	Admission	Stromeinlass
16	Stroomkabel compleet	Cable set complete	Support de câble complet	Kabel komplett
17	Reset-knop	Resetbutton	Bouton de réinitialisation	Rückstellknopf
18	Doorvoersteen	Bulb holder	Support de bourelet	Bulbhalter
19	Borgring	Fuse	Bague de blockage	Sperring
20	Nakoelthermostaat	Fan delay thermostat	Thermostat de sursoufflage	Nachkühlthermostat
21	Doorvoersteen	Bulb holder	Porte-ampoule	Wulsthalter

Pos.	BX 3	BX 9/A	BX 15	BX 2	BX 5
1	47.105.452	47.104.783	47.104.759	47.105.452	47.104.922
2	47.102.134	47.104.643	47.104.644	47.104.649	47.104.638
3	47.105.593	47.102.135	47.102.135	47.105.593	47.105.593
4	47.104.527	47.101.912	47.101.912	47.104.527	47.104.527
5	47.104.637	47.104.631	47.104.631	47.104.637	47.104.637
6	47.104.745	47.104.745	47.104.745	47.104.745	47.104.745
7	47.102.068	47.101.914	47.101.914	47.102.068	47.102.068
8	47.804.022/3x	47.804.057/6x	47.804.037/6x	47.804.022/2x	47.804.021/3x
9		47.804.056			
10	47.102.076	47.101.934	47.101.934	47.102.076	47.102.076
11	47.102.108	47.101.664	47.103.476	47.102.108	47.102.108
12	47.102.066	47.102.055(8 contacts)	47.102.055 (8 contacts)	47.102.066	47.102.065
new		47.102.072 (9 contacts)			
13	47.101.775	47.101.101	47.103.499	47.101.775	47.101.101
14	47.101.776	47.104.833	47.104.834	47.101.776	47.104.833
15	47.102.095	47.101.909	47.101.516	47.102.095	47.101.348
16	47.101.417	47.101.910	47.103.475	47.101.417	47.102.085
17	47.104.747	47.104.748		47.104.746	47.104.747
18			47.101.917		
19			47.181.128		
20			47.103.479		
21			47.101.056		

**THERMOBILE**

C: (BX3: 230 V / 50 Hz)

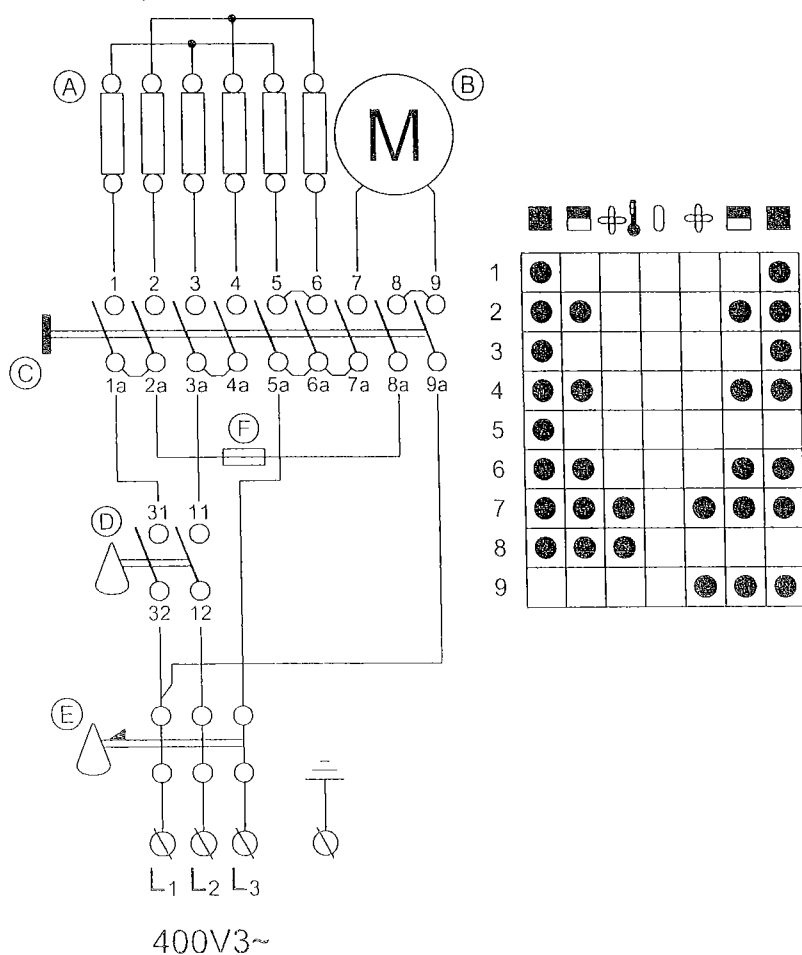


Legend symbols: ■ □ ⊕ 0 ⊖ ■

1	●							●
2	●	●					●	●
3	●							●
4	●	●					●	●
5	●	●	●					
6						●	●	●
7				●		●	●	●
8	●	●						

**THERMOBILE**

C: (BX9: 400 V / 3 Ph / 50 Hz)



**THERMOBILE**

C: (BX15: 400 V / 3 Ph / 50 Hz)

