

**THERMOBILE®**

## **Spare Parts Proheat 18 40.018.000**

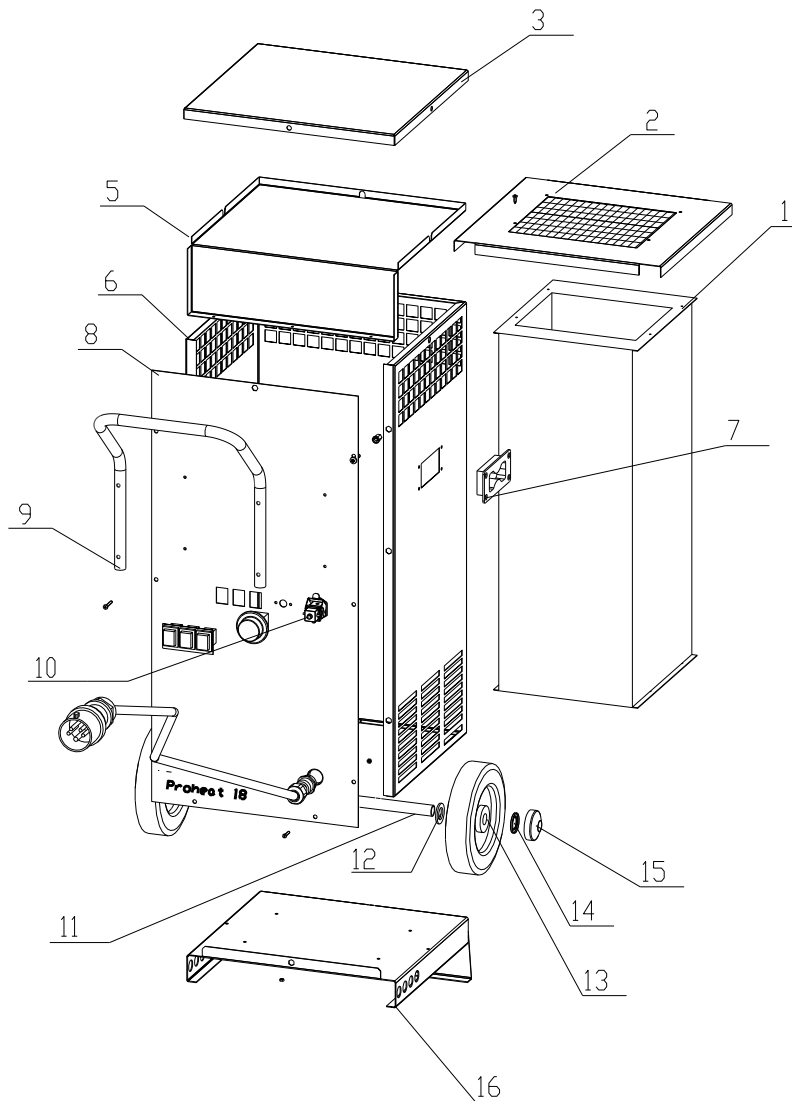


Thermobile Industries BV +31(0)76 587 34 50  
Fax +31 (0)76 587 27 89 info@thermobile.nl www.thermobile.com

Thermobile UK Ltd +44 (0) 2476 35 79 60  
Fax +44(0) 2476 35 79 69 info@thermobile.co.uk www.thermobile.co.uk

Thermobile France S.a.r.l. +33(0)2 38 76 59 25  
Fax +33(0)2 38 76 58 93 info@thermobile.fr www.thermobile.fr

Pos.	Edp.nr.	NL	GB	F	D
1	40.018.025	Binnenwerk	Interior work	Intérieur	Innenbau
2	40.018.013/01	Bevestigingsplaat	Fastening plate	Plaque de fixation	Befestigungsplatte
3	40.018.012	Kap	Guard	Capot	Haube
5	40.018.024	Koelplaat	Cooling plate	Plaque de refroidissement	Kühlplatte
6	40.018.010/02	Mantel	Mantle	Chemise	Mantel
7	40.018.031	Handgreep	Handle	Poignée	Handgriff
8	40.018.011/01	Achterpaneel	Rear panel	Panneau arrière	Rückwand
9	40.018.022_7964	Handgreep	Handle	Poignée	Handgriff
10a	40.202.091	Stekkerinzet	Plug insert	Garniture de la fiche	Steckereinsatz
10b	40.202.092	Stekerhuis	Plug housing	Logement de la fiche	Steckergehäuse
10c	40.226.030	Afdekkapje	Cover	Capucon	Abdeckkappe
11	40.018.020	Wielas	Wheel shaft	Axe de roulette	Radachse
12	40.501.672	Sluistring	Washer	Bague de fermeture	Schließring
13	40.202.142	Wiel	Wheel	Roulette	Rad
14	40.202.101	Borgring	Locking ring	Bague de blocage	Klemmring
15	40.202.102	Stofkap	Dust cover	Coiffe antipoussière	Staubhaube
16					



# THERMOBILE®

Pos	NR	NL	GB	F	D
61	40.107.100	Motor	Motor	Moteur	Motor
62	40.307.101	Motor beugel	Motor brace	Moteur anneau	Motorbügel
63	40.307.102	Condensator	Capacitor	Condensateur	Kondensator
64	40.307.103	Lucht inlaatrand	Air inlet	Prise d'air	Lufteinlass
65	40.307.104	Spannings relais	Voltage relay	Relais de garde	Spannungs- bewachungsrelais
66	40.307.105	Element 3 kW	Element 3 kW	Élément 3 kW	Heizelement 3 kW
67	40.307.106	Element 2 kW	Element 2 kW	Élément 2 kW	Heizelement 2 kW
68	40.307.107	Element pakking	Element gasket	Element joint de couvercle	Element Dichtung
69	40.307.108	Element moer	Element nut	Élément écrou	Element Mutter
70	40.307.125	Max. clixon	Limit clixon	Thermostat max.	Max. Thermostat
71	40.307.110	Nakoel clixon	Cooling safty thermostat	Thermostat de refroidissement	Nachkühlthermostat
72	40.307.111	Thermostaat	Thermostat	Thermostat	Thermostat
73	40.307.112	Therm.afd.ring chr.	Sealingring therm. Chr.	Abdeckring ther.	Anneau protect chr.
74	40.307.113	Therm.knop zwart	Button therm. Black	Knopf ThSchwarz	Bouton therm. Noir
75	40.307.114	Relais 25A	Relay 25A	Relais 25 A	Relais 25A
76	40.307.115	Aansluitkabel	Cable	Câble	Kabel
77	40.307.116	Connector SKF7	Connector SKF7	Connecteur7SKF	Verbinder SKF 7
78	40.307.117	Isolatie plaat	Isolation plate	Plaque isolante	Isolierplatte
80	40.307.118	Voorplaat	Front plate	Plaque de front	Vorderblech
81	40.307.119	Achterplaat	Rear plate	Plaque arrière	Rückblech
82	40.307.120	Bodemplaat	Bottom plate	Plaque inférieure	Unterblech
83	40.307.121	Kap	Cover	Couvercle	Haube
84	40.307.122	Frame	Frame	Châssis	Gestell
85	40.307.123	Wiel	Wheel	Roue	Rad
86	40.307.124	Type plaat	Type plate	Plaquette modèle	Typenplatte
87	40.307.125	Max. clixon 63 gr.	Max. therm. 63 degr.	Therm. Max. 63 degr.	Max. Thermost. 63 Gr.
88	40.307.126	Wartel PG 21	Cable gand PG 21	Émenillon PG 21	Klemmbolzen PG 21
89	40.307.127	Moer PG 21	Nut PG 21	Écrou PG 21	Mutter PG 21
90	40.307.128	Schakelaar rood	Switch red	Interrupteur rouge	Schalter rot
91	40.307.129	Schakelaar zwart	Switch black	Interrupteur noir	Schalter schwarz
92	40.307.130	Afdekplaat	Cover plate	Paroi	Abdeckplatte
93	40.307.131	Transformator	Transformer	Transformateur	Transformator
94	40.307.132	Connectorstrip SKF	Connectionstrip SKF	Couvre-joint connect.	Verb.Lasche SKF
95	40.307.133	Trafoplaat	Transformerplate	Plaque du transform.	Transformatorplatte
96	40.307.134	Zekeringhouder	Fuse holder	Support de fusée	Sicherungsstütze
97	40.307.135	Zekering	Fuse	Fusible	Sicherug

