

# FEKA FXC

## SUBMERSIBLE PUMPS



### TECHNICAL DATA

**Flow rate minimum and maximum:** 78,9 m<sup>3</sup>/h  
**Head up to:** 20,9 m  
**Immersion dept (maximum):** 20 m  
**Type of pumped liquid:** Waste water, sewage water  
**Free passage:** 50 mm  
**Supported liquid temperature (maximum and minimum):** + 50°C  
 (+ 60°C for a short time)  
**Flanged and threaded:** from 2", DN50, DN65  
**Impeller type:** Channel  
**Start time (maximum) per hour:** 20/h  
**Class of protection:** IP 68  
**Motor insulation class:** F  
**Single phase power input:** 1x 220-240V 50Hz  
**Three phase power input:** 3x 400V 50Hz / 3x 230V 50Hz on request  
**Maximum dry run time:** 10 min  
**Power cable (m) and plug:** 10 m  
**Possible type of installation:** mobile when on the ground, fixed with coupling  
**Certification:** EN 12050 \ ATEX  
**Special versions on request:** different cable lengths, different voltages and frequencies

Feka FXC is a submersible pump for the drainage of sewage in commercial building service. The pump is certified according to the wastewater standard EN 12050-2. Pump suitable for fixed installations with a coupling device or mobile if placed directly on the bottom of the tank. Suitable for waste water without long fibers, rainwater and ground water. The pump is suitable for draining rooms subject to flooding, when high flow rates are required. The pump is designed for quick maintenance thanks to a constructive solution that provides easy access to the main components. Automatic versions with power up to 1,5 kW. ATEX version available for use in potentially explosive environments. (ATEX certifications: II2G Ex db k IIB T4 or IEC EX: Ex db IIB T4 Gb).

### CONSTRUCTION FEATURES OF THE PUMP

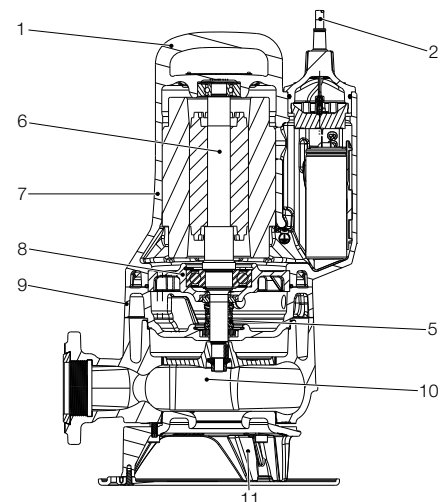
Channel impeller with anti-lock system, 50 mm free passage. Pump body and impeller in cast iron. Motor shaft in AISI 304 stainless steel. Double mechanical seal in SiC-SiC/SiC-C in oil chamber not in contact with the pumped liquid. Delivery port both flanged and threaded.

### CONSTRUCTION FEATURES OF THE MOTOR

Available with single-phase asynchronous motor (MA / MNA versions) and three-phase motor (TNA versions). Rotor mounted on lubricated bearings. Continuous operation in S1 with the motor completely immersed. Dry running for a maximum time of 10 minutes. Over-temperature sensors in the motor windings with intervention threshold at +130°C. Quick-bonded resin-bonded cable gland, 07RN8-F power cable. Single-phase versions with integrated capacitor, available with float for automatic operation (MA version) with power up to 1,5 kW. In the three-phase motors the over-temperature sensor connection is responsibility of the user.

## MATERIALS

N°	PARTS	MATERIALS
1	HANDLE	CAST IRON EN G.JL 200
2	ELECTRIC CABLE	07RN8-F
3	SCREWS	STAINLESS STEEL AISI 304
4	OR	NBR
5	MECHANICAL SEAL PUMP SIDE	SiC-SiC/SiC-C
	MECHANICAL SEAL MOTOR SIDE	SiC/CARBON
6	MOTOR SHAFT	STAINLESS STEEL AISI 304 (P2>1.5kW) AISI 431 (P2<1.2kW)
7	PUMP BODY / MOTOR	CAST IRON G.JL 200
8	BEARING INNER FLANGE	ALLUMINIUM ALLOY EN AC 46100
9	FLANGE	CAST IRON G.JL 200
10	IMPELLER	CAST IRON G.JL 250
11	BASE	CAST IRON EN G.JL 200
13	COATING	CATAPHORESIS and ACRILIC TWO-COMPONENT 50µm



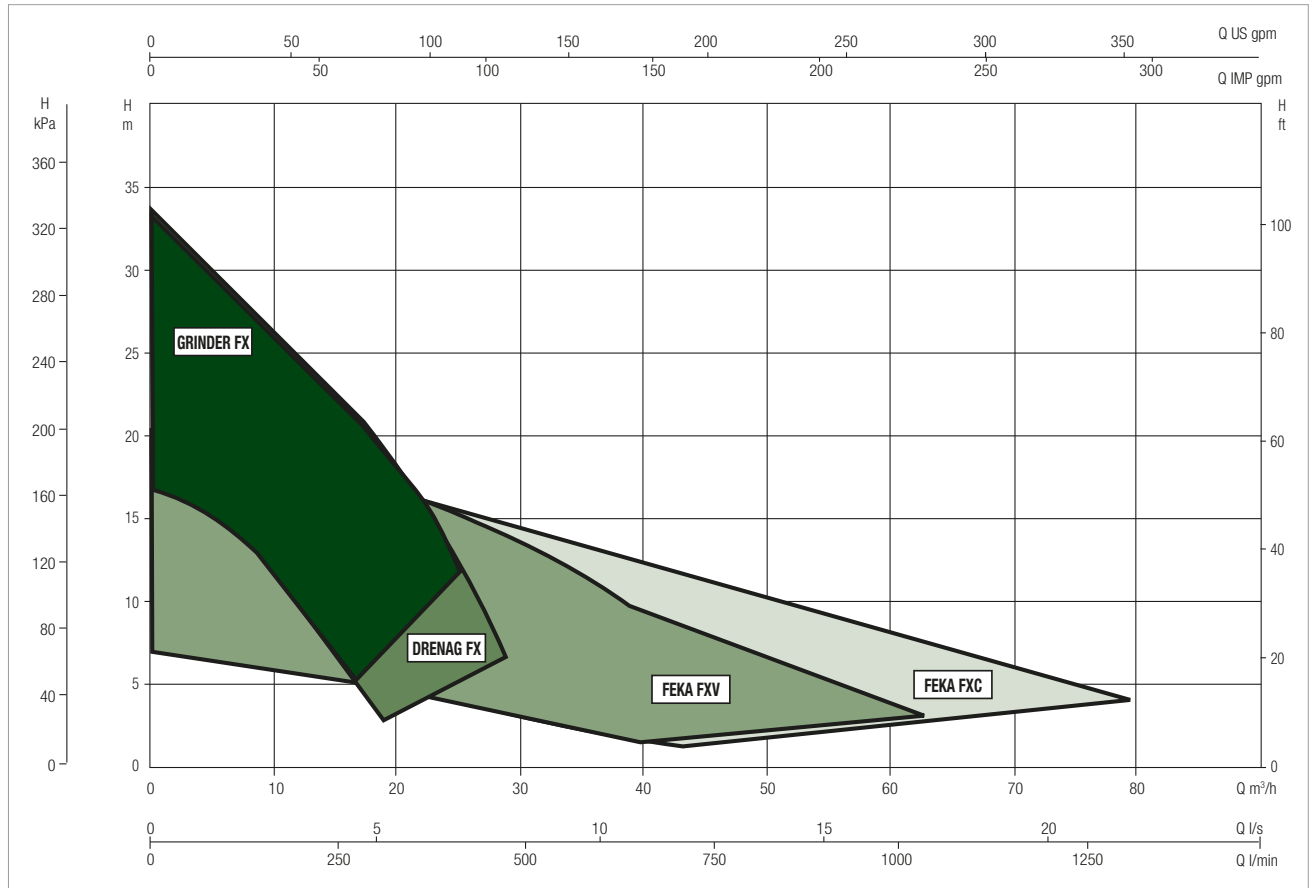
# FX RANGE

## SUBMERSIBLE PUMPS

### PERFORMANCE RANGE

The performance curves are based on kinematic viscosity values = 1 mm<sup>2</sup>/s and density equal to 1000 kg/m<sup>3</sup>. Curve tolerance according to ISO9906.

#### GRAPHIC SELECTION TABLE

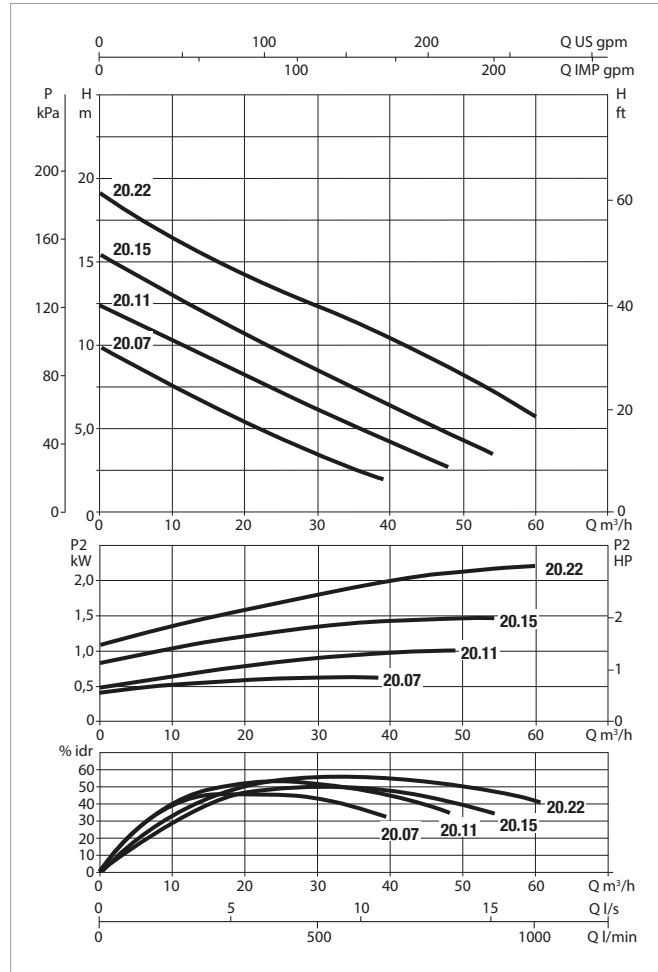
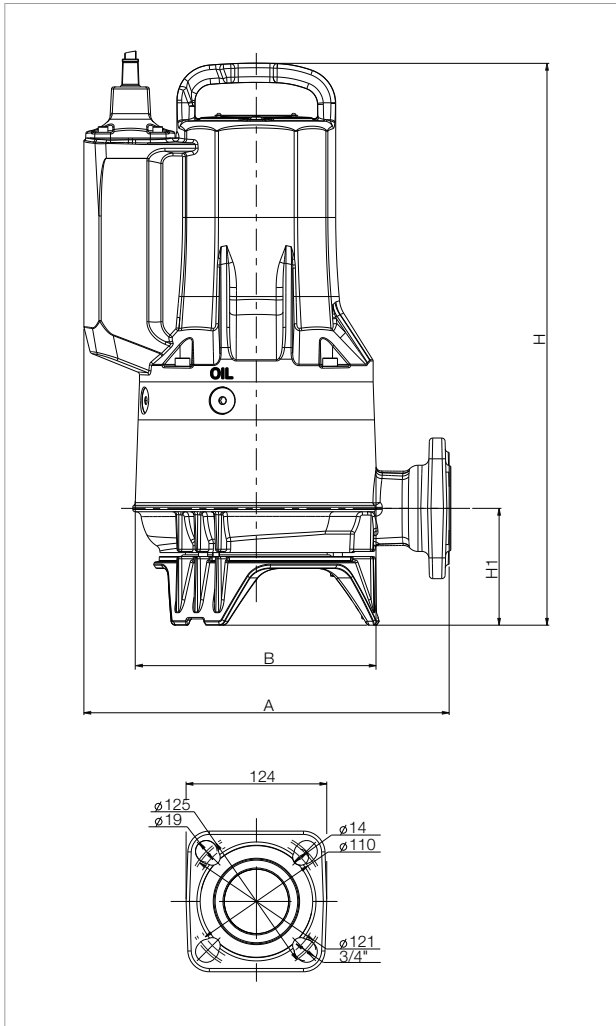


### SELECTION TABLE FEKA FXC 20 - 25

MODEL	Q=m <sup>3</sup> /h	0	7	14	22	29	36	43	50	58	65
	Q=l/min	0	120	240	360	480	600	720	840	960	1080
FEKA FXC 20.07	H (m)	9,8	8,3	6,7	5,1	3,6	2,4				
FEKA FXC 20.11		12,4	10,8	9,3	7,8	6,4	5,0	3,6			
FEKA FXC 20.15		15,3	13,5	11,8	10,2	8,7	7,1	5,7	4,2		
FEKA FXC 20.22		19,1	17,2	15,5	14,0	12,6	11,2	9,8	8,1	6,2	
FEKA FXC 25.07		9,4	7,8	6,2	4,6	3,3	2,2	1,4			
FEKA FXC 25.11		11,9	10,3	8,8	7,4	6,0	4,8	3,5	2,4		
FEKA FXC 25.15		15,1	13,5	11,8	10,3	8,8	7,3	5,8	4,5	3,1	
FEKA FXC 25.22		18,9	16,9	15,2	13,8	12,4	11,1	9,8	8,4	6,9	5,1

## FEKA FXC 20 - SUBMERSIBLE PUMPS

Pumped liquid temperature range: da 0° a +50°C. For higher temperatures contact our sales network.



The performance curves are based on kinematic viscosity values = 1 mm<sup>2</sup>/s and density equal to 1000 kg/m<sup>3</sup>. Curve tolerance according to ISO9906.

MODEL	ELECTRICAL DATA							
	POWER INPUT 50 Hz	P1 MAX kW	P2 NOMINAL		In A	Is A	CAPACITOR	RATED SPEED rpm/min
			Kw	HP				
FEKA FXC 20.07 MA	1x230V	0,9	0,7	0,9	4,1	15	20	2870
FEKA FXC 20.07 MNA*	1x230V	0,9	0,7	0,9	4,1	15	-	2870
FEKA FXC 20.07 TNA*	3x400V	0,9	0,7	0,9	1,8	22	-	2870
FEKA FXC 20.11 MA	1x230V	1,4	1	1,3	6,3	29	25	2870
FEKA FXC 20.11 MNA*	1x230V	1,4	1	1,3	6,3	29	-	2870
FEKA FXC 20.11 TNA*	3x400V	1,3	1	1,3	2,6	19	-	2870
FEKA FXC 20.15 MA	1x230V	2	1,5	2,0	9,1	36	40	2870
FEKA FXC 20.15 MNA*	1x230V	2	1,5	2,0	9,1	36	-	2870
FEKA FXC 20.15 TNA*	3x400V	1,8	1,5	2,0	3,5	25	-	2870
FEKA FXC 20.22 TNA*	3x400V	2,8	2,2	2,9	4,9	35	-	2870

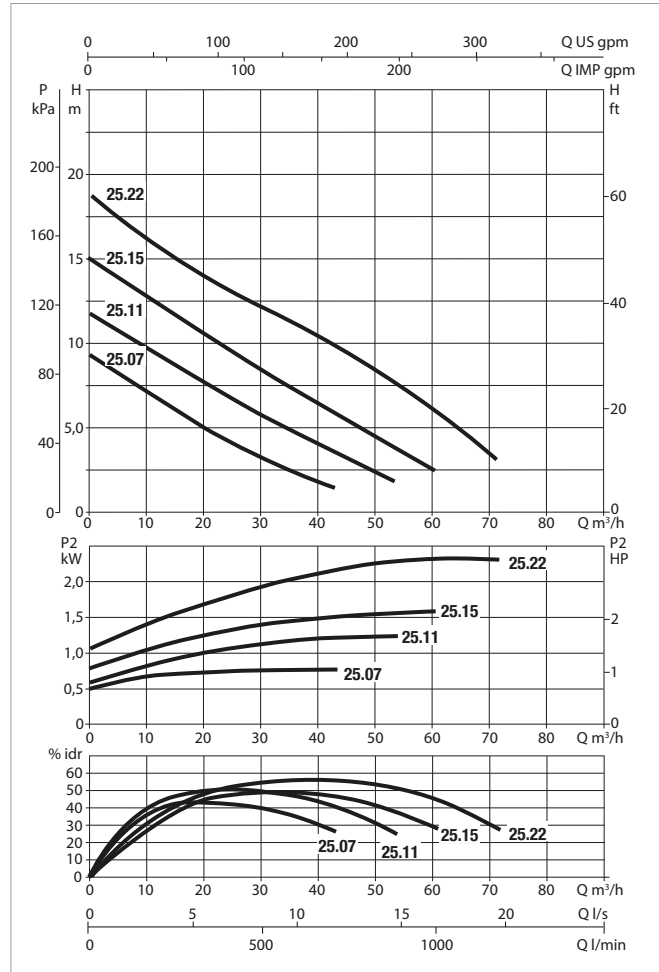
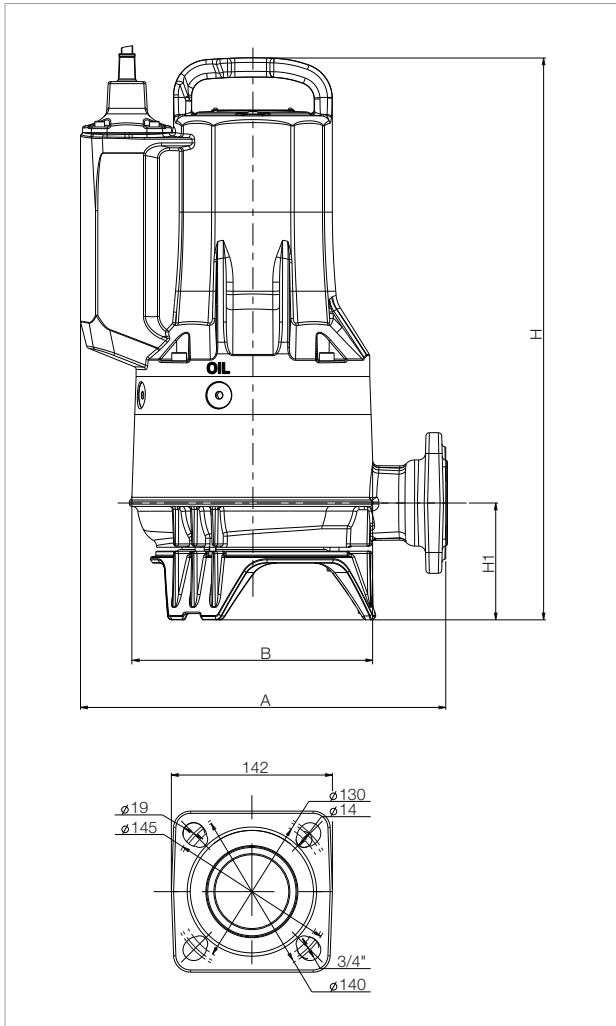
\*Available in Ex version

MODEL	FREE PASSAGE	A	B	H			DELIVERY				PACKING DIMENSIONS			WEIGHT Kg
				Ex	H1	GAS	DN1	HOLES	D	L/A	L/B	H		
FEKA FXC 20.07*	50	322	210	468	468	103	Rp 2"	50 PN10/6	4	125-110	660	370	400	37
FEKA FXC 20.11*	50	322	210	468	487	103	Rp 2"	50 PN10/6	4	125-110	660	370	400	37
FEKA FXC 20.15*	50	322	218	468	496	103	Rp 2"	50 PN10/6	4	125-110	660	370	400	42
FEKA FXC 20.22 *	50	322	218	496	512	103	Rp 2"	50 PN10/6	4	125-110	660	370	400	43

\*Available in Ex version

## FEKA FXC 25 - SUBMERSIBLE PUMPS

Pumped liquid temperature range: da 0° a +50°C. For higher temperatures contact our sales network.



The performance curves are based on kinematic viscosity values = 1 mm<sup>2</sup>/s and density equal to 1000 kg/m<sup>3</sup>. Curve tolerance according to ISO9906.

MODEL	ELECTRICAL DATA							
	POWER INPUT 50 Hz	P1 MAX kW	P2 NOMINAL		In A	Is A	CAPACITOR	RATED SPEED rpm/min
			Kw	HP				
FEKA FXC 25.07 MA	1x230V	0,9	0,6	0,8	4,1	15	20	2870
FEKA FXC 25.07 MNA*	1x230V	0,9	0,6	0,8	4,1	15	-	2870
FEKA FXC 25.07 TNA*	3x400V	0,9	0,6	0,8	1,8	22	-	2870
FEKA FXC 25.11 MA	1x230V	1,4	1,1	1,5	6,4	29	25	2870
FEKA FXC 25.11 MNA*	1x230V	1,4	1,1	1,5	6,4	29	-	2870
FEKA FXC 25.11 TNA*	3x400V	1,4	1,1	1,5	2,6	19	-	2870
FEKA FXC 25.15 MA	1x230V	2	1,6	2,1	9,3	36	40	2870
FEKA FXC 25.15 MNA*	1x230V	2	1,6	2,1	9,3	36	-	2870
FEKA FXC 25.15 TNA*	3x400V	1,9	1,6	2,1	3,6	25	-	2870
FEKA FXC 25.22 TNA*	3x400V	2,9	2,3	3,1	5	35	-	2870

\*Available in Ex version

MODEL	FREE PASSAGE	A		H		H1	DELIVERY				PACKING DIMENSIONS			WEIGHT Kg
				Ex	GAS		DN1	HOLES	D	L/A	L/B	H		
FEKA FXC 25.07 MA	50	322	210	478	-	103	-	65 PN10/6	4	145-130	660	370	400	37
FEKA FXC 25.07 MNA - TNA*	50	322	210	468	468	103	-	65 PN10/6	4	145-130	660	370	400	37
FEKA FXC 25.11*	50	322	210	468	486	103	-	65 PN10/6	4	145-130	660	370	400	38
FEKA FXC 25.15*	50	322	218	478	496	103	-	65 PN10/6	4	145-130	660	370	400	43
FEKA FXC 25.22 *	50	322	218	496	512	103	-	65 PN10/6	4	145-130	660	370	400	44

\*Available in Ex version