

STAINLESS STEEL CENTRIFUGAL PUMPS

End suction centrifugal pumps made of stainless steel AISI 304 (3 Series) and AISI 316L (3L Series). Suitable for water boosting, heating systems, air-conditioning, washing systems, irrigation, cooling and many other industrial applications.



SPECIFICATIONS

- Maximum working pressure : 10 bar
- Maximum liquid temperature : from -10°C to +90°C from -10°C to +110°C (L-H-HS versions)

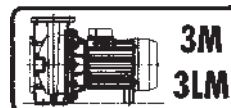
MATERIALS

- Pump body and casing cover in:
 - AISI 304 for **3 Series** 32-125/160/200
40-125/160/200
50-125/160
65-125/160/200
 - AISI 316L for **3L Series** 32-125/160/200
40-125/160/200
50-125/160
65-125/160/200
 - AISI 316 microcasted for **3L Series** 65-250
80-160/200/250
- Impeller in:
 - AISI 304 for **3 Series** 32-125/160/200
40-125/160/200
50-125/160
 - AISI 316L for **3L Series** 32-125/160/200
40-125/160/200
50-125/160
 - AISI 316 microcasted for **3 Series** 65-125/160/200
3L Series 65-125/160/200
65-250
80-160/200/250
- Mechanical seal in:
 - Carbon/Ceramic/NBR for **3 Series** 32-125/160/200
40-125/160/200
50-125/160
65-125/160/200
 - SiC/SiC/FPM for **3L Series** 32-125/160/200
40-125/160/200
50-125/160
65-125/160/200/250
80-160/200/250
- Special mechanical seal available on request

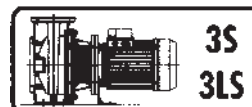
TECHNICAL DATA

- Asynchronous 2 and 4 poles motor
- Insulation: Class F (B for temperature rise)
- Protection degree: IP55
- 1~230V ± 10%, 50Hz,
3~220-240/380-415V ± 5% (up to 4kW included), 50Hz
3~380-415/660-720V ± 10% (5.5kW and above), 50Hz
- Thermal protection to be provided by the user

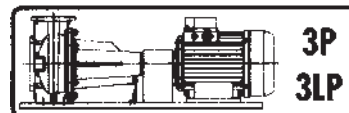
Available in 4 different versions, 2 and 4 poles



monobloc with extended motor shaft



monobloc with standard motor and flexible coupling

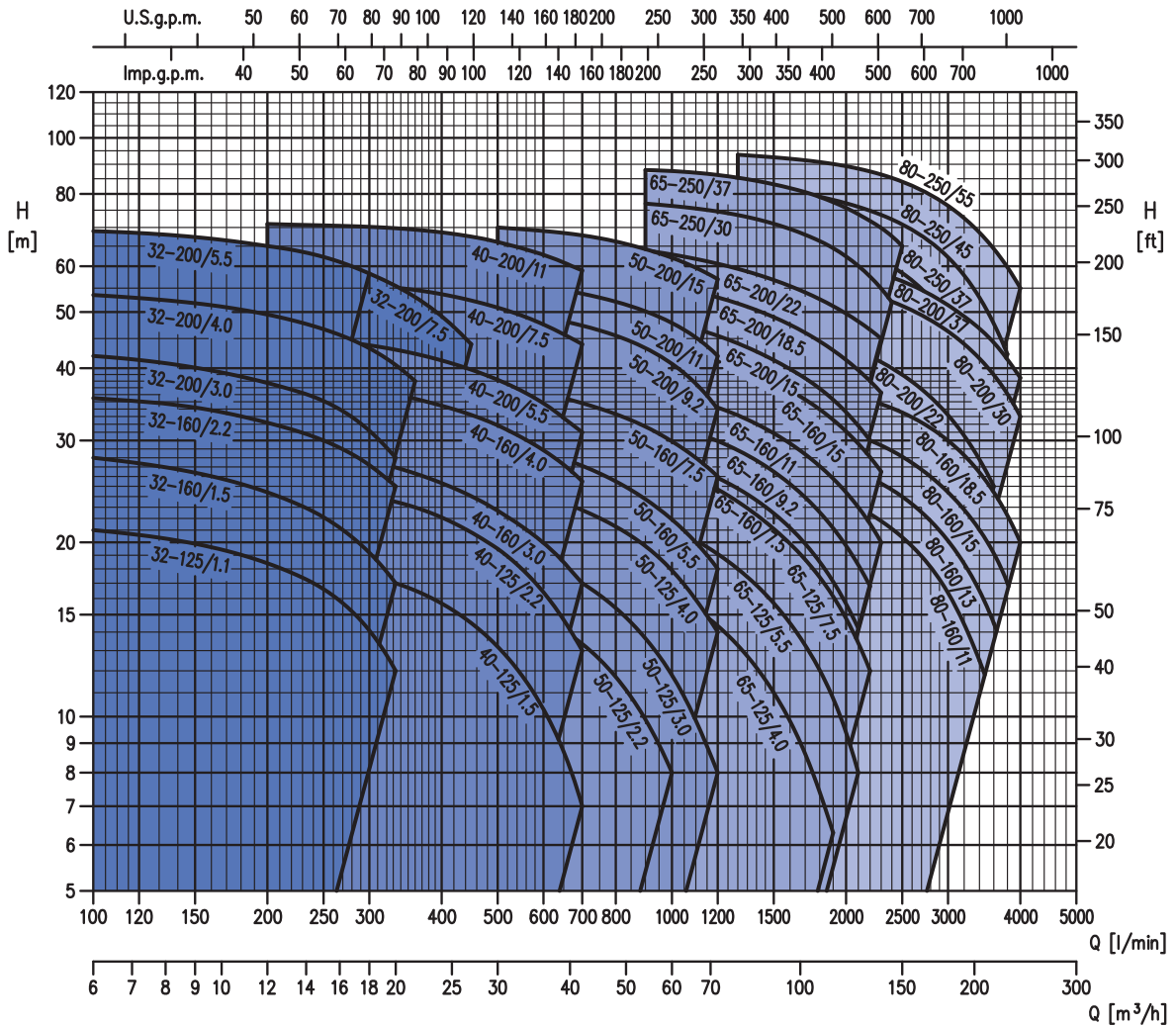


on basement with standard motor and flexible coupling



bare shaft pump

PERFORMANCE CHART
2 Poles

 at 2900 min⁻¹ (according to ISO 9906 Annex A)


	Version	3M	3S	3P	3LM	3LS	3LP
Pump size	32-125	√	√	√	√	√	√
	32-160	√	√	√	√	√	√
	32-200	√	√	√	√	√	√
	40-125	√	√	√	√	√	√
	40-160	√	√	√	√	√	√
	40-200	√	√	√	√	√	√
	50-125	√	√	√	√	√	√
	50-160	√	√	√	√	√	√
	50-200	√	√	√	√	√	√
	65-125	√	√	√	√	√	√
	65-160	√	√	√	√	√	√
	65-200	√	√	√	√	√	√
	65-250	-	-	-	-	•	•
	80-160	-	-	-	•	•	•
	80-200	-	-	-	-	•	•
	80-250	-	-	-	-	•	•

√ = Available also with H and HS option for 32, 40, 50, 65-125/160/200

• = Available also with H option for 65-250, 80

- = Not available

PERFORMANCE TABLE 32-40-50
2 Poles

Model	kW	HP	Q=Capacity															
			l/min	0	100	150	200	300	333	360	400	450	500	600	700	800	1000	1200
			m ³ /h	0	6	9	12	18	20	22	24	27	30	36	42	48	60	72
			H=Total head (m)															
32-125/1.1(M)	1.1	1.5	22.5	21	19.9	18.4	14.1	12	-	-	-	-	-	-	-	-	-	
32-160/1.5(M)	1.5	2	29.5	28	26.5	24.5	19.2	17	-	-	-	-	-	-	-	-	-	
32-160/2.2(M)	2.2	3	37	35.5	34	32	27	25	-	-	-	-	-	-	-	-	-	
32-200/3.0	3	4	44	42	40	37.5	31	28	-	-	-	-	-	-	-	-	-	
32-200/4.0	4	5.5	55	53.5	52	49.5	43.5	40.5	38	-	-	-	-	-	-	-	-	
32-200/5.5	5.5	7.5	70.5	69	67.5	65	58.5	-	-	-	-	-	-	-	-	-	-	
32-200/7.5	7.5	10	70.5	69	67.5	65	58.5	55.5	53	49	44	-	-	-	-	-	-	
40-125/1.5(M)	1.5	2	20	-	-	19	17.6	17	16.5	15.7	14.5	13.2	10.3	7	-	-	-	
40-125/2.2(M)	2.2	3	26.5	-	-	25.5	24	23.5	23	22	21	19.5	16.4	13	-	-	-	
40-160/3.0	3	4	31	-	-	29.5	27.5	27	26.5	25.5	24	22.5	20	17	-	-	-	
40-160/4.0	4	5.5	40	-	-	38.5	37	36	35.5	34.5	33	32	29	25.5	-	-	-	
40-200/5.5	5.5	7.5	47	-	-	45.5	44	43	42.5	41	39.5	38	35	31	-	-	-	
40-200/7.5	7.5	10	58	-	-	57	55.5	55	54.5	53.5	52.5	51	47.5	44	-	-	-	
40-200/11	11	15	72	-	-	71	70	70	69.5	68.5	67.5	66	63	59	-	-	-	
50-125/2.2(M)	2.2	3	19	-	-	-	-	-	-	17.5	17	16.3	14.9	13.4	11.7	8	-	
50-125/3.0	3	4	22	-	-	-	-	-	-	20.5	20	19.6	18.4	17	15.4	11.8	8	
50-125/4.0	4	5.5	26.5	-	-	-	-	-	-	26	25.5	25	24	22.5	21.5	17.9	14	
50-160/5.5	5.5	7.5	33	-	-	-	-	-	-	31	30.5	30	28.5	27	25.5	22	18	
50-160/7.5	7.5	10	40	-	-	-	-	-	-	38.5	38	37.5	36	35	33.5	30	26	
50-200/9.2	9.2	12.5	53	-	-	-	-	-	-	-	-	50	49	47.5	45.5	40.5	34	
50-200/11	11	15	59	-	-	-	-	-	-	-	-	56	55	54	52	48	42	
50-200/15	15	20	72	-	-	-	-	-	-	-	-	70	69	68	66	62	57	

(M) Single phase version only for 3M type

PERFORMANCE TABLE 65-80
2 Poles

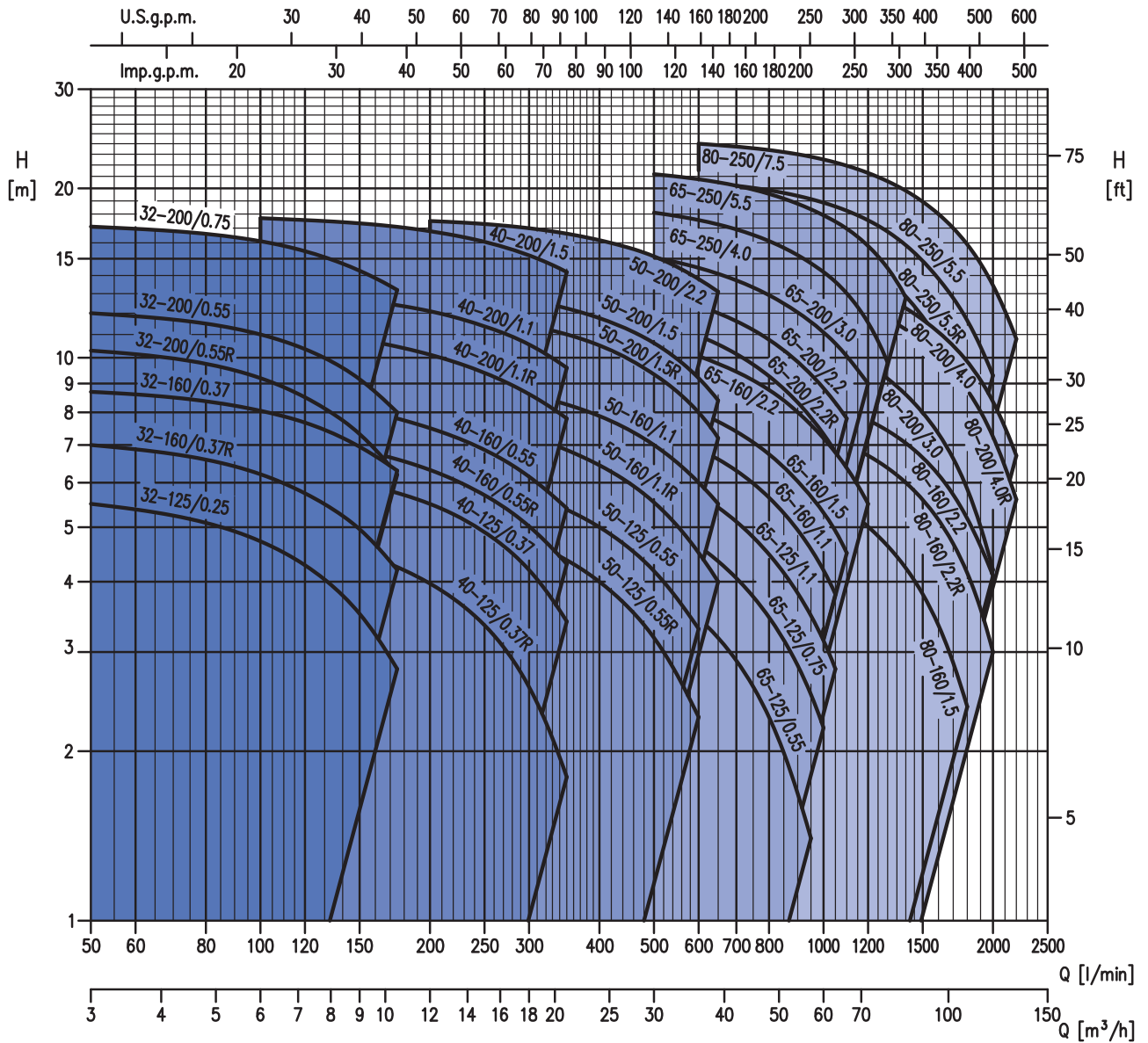
Model	kW	HP	Q=Capacity																		
			l/min	0	600	700	900	1300	1500	1700	1900	2100	2200	2300	2400	2500	3000	3400	3600	3800	4000
			m ³ /h	0	36	42	54	78	90	102	114	126	132	138	144	150	180	204	216	228	240
			H=Total head (m)																		
65-125/4.0	4	5.5	22.2	19.8	19	17.3	13.3	11	8.6	6.3	-	-	-	-	-	-	-	-	-	-	
65-125/5.5	5.5	7.5	27	-	24	22.2	18	15.7	13.3	10.8	8	-	-	-	-	-	-	-	-	-	
65-125/7.5	7.5	10	32	-	29.5	27.8	23.5	21.1	18.7	16.1	13.4	12	-	-	-	-	-	-	-	-	
65-160/7.5	7.5	10	32	-	30	28.6	24.8	22.5	19.9	17.1	14.2	-	-	-	-	-	-	-	-	-	
65-160/9.2	9.2	12.5	36.5	-	34.5	32.8	28.8	26.5	23.9	21.1	18.3	16.8	-	-	-	-	-	-	-	-	
65-160/11	11	15	40.5	-	38.5	37.1	33.1	30.9	28.4	25.8	23	21.5	20	-	-	-	-	-	-	-	
65-160/15	15	20	48	-	45.5	44	40	37.8	35.3	32.6	29.6	28	26.5	-	-	-	-	-	-	-	
65-200/15	15	20	53.5	-	51	49	44	41.5	38.4	35.3	31.8	30	-	-	-	-	-	-	-	-	
65-200/18.5	18.5	25	60.5	-	58.5	56.5	51.5	49	46	43	39.7	38	36.3	-	-	-	-	-	-	-	
65-200/22	22	30	67	-	65.5	64	59.5	57	54	51	48	46.5	45	-	-	-	-	-	-	-	
65-250/30	30	40	78	-	-	77	73.5	71	68	64.5	60	57.5	55	52	-	-	-	-	-	-	
65-250/37	37	50	89	-	-	88	85.5	83	80.5	77.5	74	72	70	67.5	65	-	-	-	-	-	
80-160/11	11	15	29	-	-	-	27.3	26.4	25.4	24.2	23	22.4	21.8	21.1	20.4	16.4	12.5	-	-	-	
80-160/13	13	7.5	32	-	-	-	30.5	29.7	28.8	27.7	26.5	25.9	25.3	24.6	24	20.1	16.5	14.5	-	-	
80-160/15R	15	20	32	-	-	-	30.5	29.7	28.8	27.7	26.5	25.9	25.3	24.6	24	20.1	16.5	14.5	-	-	
80-160/15	15	20	35	-	-	-	34	33.3	32.5	31.5	30.5	30	29.4	28.8	28.1	24.4	21	19.1	17	-	
80-160/18.5	18.5	25	40	-	-	-	39	38.4	37.6	36.7	35.7	35.2	34.7	34.1	33.5	30	26.4	24.4	22.3	20	
80-200/22	22	30	50	-	-	-	48	47	45.5	44.5	43	42	41	40	39	33.2	27.8	25	-	-	
80-200/30	30	40	60	-	-	-	58.5	58	57	56	54.5	54	53	52	51	46.5	41.5	39	36.1	33	
80-200/37	37	50	66	-	-	-	64	63	62	61	59.5	59	58	57.5	56.5	51.5	47	44.5	41.5	38.5	
80-250/37	37	50	73	-	-	-	71.5	70.5	68.5	66.5	64	63	61.5	60	58.5	48.5	38	-	-	-	
80-250/45	45	60	84	-	-	-	82.5	81.5	80	78	76	75	73.5	72.5	71	62	53	48	42.5	-	
80-250/55	55	75	95	-	-	-	93.5	92.5	91.5	90	88.5	87.5	86.5	85.5	84	76.5	68.5	64.5	60	55	

MOTOR TABLES
2 Poles

Model	Power		Motor size	Capacitor		Absorbed current [A]		
	kW	HP		mF	Vc	230V	400V	690V
3(J)M 32-125/1.1 M	1.1	1.5	90	31.5	450	6.7	-	-
3(J)M 32-125/1.1	1.5	2	90	-	-	5.9	3.4	-
3(J)M 32-160/1.5 M	1.5	2	90	40	450	9.6	-	-
3(J)M 32-160/1.5	1.5	2	90	-	-	5.9	3.4	-
3(J)M 32-160/2.2 M	2.2	3	90	50	450	13.3	-	-
3(J)M 32-160/2.2	2.2	3	90	-	-	8.3	4.8	-
3(J)M 32-200/3.0	3	4	90	-	-	11.3	6.5	-
3(J)M 32-200/4.0	4	5.5	100	-	-	15.9	9.2	-
3(J)M 32-200/5.5	5.5	7.5	112	-	-	-	11.8	6.8
3(J)M 32-200/7.5	7.5	10	112	-	-	-	15.7	9.1
3(J)M 40-125/1.5 M	1.5	2	90	40	450	9.6	-	-
3(J)M 40-125/1.5	1.5	2	90	-	-	5.9	3.4	-
3(J)M 40-125/2.2 M	2.2	3	90	50	450	13.3	-	-
3(J)M 40-125/2.2	2.2	3	90	-	-	8.3	4.8	-
3(J)M 40-160/3.0	3	4	90	-	-	11.3	6.5	-
3(J)M 40-160/4.0	4	5.5	100	-	-	15.9	9.2	-
3(J)M 40-200/5.5	5.5	7.5	112	-	-	-	11.8	6.8
3(J)M 40-200/7.5	7.5	10	112	-	-	-	15.7	9.1
3(J)M 40-200/11	11	15	132	-	-	-	22	12.7
3(J)M 50-125/2.2 M	2.2	3	90	50	450	13.3	-	-
3(J)M 50-125/2.2	2.2	3	90	-	-	8.3	4.8	-
3(J)M 50-125/3.0	3	4	90	-	-	11.3	6.5	-
3(J)M 50-125/4.0	4	5.5	100	-	-	15.9	9.2	-
3(J)M 50-160/5.5	5.5	7.5	112	-	-	-	11.8	6.8
3(J)M 50-160/7.5	7.5	10	112	-	-	-	15.7	9.1
3(J)M 50-200/9.2	9.2	12.5	132	-	-	-	18.8	10.8
3(J)M 50-200/11	11	15	132	-	-	-	22	12.7
3(J)M 50-200/15	15	20	160	-	-	-	30	17.3
3(J)M 65-125/4	4	5.5	100	-	-	15.9	9.2	-
3(J)M 65-125/5.5	5.5	7.5	112	-	-	-	11.8	6.8
3(J)M 65-125/7.5	7.5	10	112	-	-	-	15.7	9.1
3(J)M 65-160/7.5	7.5	10	112	-	-	-	15.7	9.1
3(J)M 65-160/9.2	9.2	12.5	132	-	-	-	18.8	10.8
3(J)M 65-160/11	11	15	132	-	-	-	22	12.7
3(J)M 65-160/15	15	20	160	-	-	-	30	17.3
3(J)M 65-200/15	15	20	160	-	-	-	30	17.3
3(J)M 65-200/18.5	18.5	25	160	-	-	-	39	22.5
3(J)M 65-200/22	22	30	160	-	-	-	42.3	24.4
3LM 80-160/11	11	15	132	-	-	-	22	12.7
3LM 80-160/13	13	17.5	132	-	-	-	25	14.4
3LM 80-160/15	15	20	160	-	-	-	30	17.3
3LM 80-160/18.5	18.5	25	160	-	-	-	39	22.5

Model		Power		Motor size	Absorbed current [A]		
		kW	HP		230V	400V	690V
3(S)S 32-125/1.1	3(P)P 32-125/1.1	1.1	1.5	80	4.3	2.5	-
3(S)S 32-160/1.5	3(P)P 32-160/1.5	1.5	2	90	5.9	3.4	-
3(S)S 32-160/2.2	3(P)P 32-160/2.2	2.2	3	90	8.5	4.9	-
3(S)S 32-200/3.0	3(P)P 32-200/3.0	3	4	100	11.1	6.4	-
3(S)S 32-200/4.0	3(P)P 32-200/4.0	4	5.5	112	14.4	8.3	-
3(S)S 32-200/5.5	3(P)P 32-200/5.5	5.5	7.5	132	-	10.5	6.1
3(S)S 32-200/7.5	3(P)P 32-200/7.5	7.5	10	132	-	14.6	8.4
3(S)S 40-125/1.5	3(P)P 40-125/1.5	1.5	2	90	5.9	3.4	-
3(S)S 40-125/2.2	3(P)P 40-125/2.2	2.2	3	90	8.5	4.9	-
3(S)S 40-160/3.0	3(P)P 40-160/3.0	3	4	100	11.1	6.4	-
3(S)S 40-160/4.0	3(P)P 40-160/4.0	4	5.5	112	14.4	8.3	-
3(S)S 40-200/5.5	3(P)P 40-200/5.5	5.5	7.5	132	-	10.5	6.1
3(S)S 40-200/7.5	3(P)P 40-200/7.5	7.5	10	132	-	14.6	8.4
3(S)S 40-200/11	3(P)P 40-200/11	11	15	160	-	21.7	12.5
3(S)S 50-125/3.0	3(P)P 50-125/3.0	3	4	100	11.1	6.4	-
3(S)S 50-125/4.0	3(P)P 50-125/4.0	4	5.5	112	14.4	8.3	-
3(S)S 50-160/5.5	3(P)P 50-160/5.5	5.5	7.5	132	-	10.5	6.1
3(S)S 50-160/7.5	3(P)P 50-160/7.5	7.5	10	132	-	14.6	8.4
3(S)S 50-200/9.2	3(P)P 50-200/9.2	9.2	12.5	132	-	17.3	10
3(S)S 50-200/11	3(P)P 50-200/11	11	15	160	-	21.7	12.5
3(S)S 50-200/15	3(P)P 50-200/15	15	20	160	-	28.5	16.4
3(S)S 65-125/4	3(P)P 65-125/4	4	5.5	112	14.4	8.3	-
3(S)S 65-125/5.5	3(P)P 65-125/5.5	5.5	7.5	132	-	10.5	6.1
3(S)S 65-125/7.5	3(P)P 65-125/7.5	7.5	10	132	-	14.6	8.4
3(S)S 65-160/7.5	3(P)P 65-160/7.5	7.5	10	132	-	14.6	8.4
3(S)S 65-160/9.2	3(P)P 65-160/9.2	9.2	12.5	132	-	17.3	10
3(S)S 65-160/11	3(P)P 65-160/11	11	15	160	-	21.7	12.5
3(S)S 65-160/15	3(P)P 65-160/15	15	20	160	-	28.5	16.4
3(S)S 65-200/15	3(P)P 65-200/15	15	20	160	-	28.5	16.4
3(S)S 65-200/18.5	3(P)P 65-200/18.5	18.5	25	160	-	34.1	19.7
3(S)S 65-200/22	3(P)P 65-200/22	22	30	180	-	42.5	24.5
3LS 65-250/30	3LP 65-250/30	30	40	200	-	54.6	31.5
3LS 65-250/37	3LP 65-250/37	37	50	200	-	66.7	38.5
3LS 80-160/11	3LP 80-160/11	11	15	160	-	21.7	12.5
3LS 80-160/15R	3LP 80-160/15R	15	20	160	-	28.5	16.4
3LS 80-160/15	3LP 80-160/15	15	20	160	-	28.5	16.4
3LS 80-160/18.5	3LP 80-160/18.5	18.5	25	160	-	34.1	19.7
3LS 80-200/22	3LP 80-200/22	22	30	180	-	42.5	24.5
3LS 80-200/30	3LP 80-200/30	30	40	200	-	54.6	31.5
3LS 80-200/37	3LP 80-200/37	37	50	200	-	66.7	37.1
3LS 80-250/37	3LP 80-250/37	37	50	200	-	66.7	37.1
3LS 80-250/45	3LP 80-250/45	45	60	225	-	79.8	46.1
3LS 80-250/55	3LP 80-250/55	55	75	250	-	99.4	57.4

PERFORMANCE CHART
4 Poles

 at 1450 min⁻¹ (according to ISO 9906 Annex A)


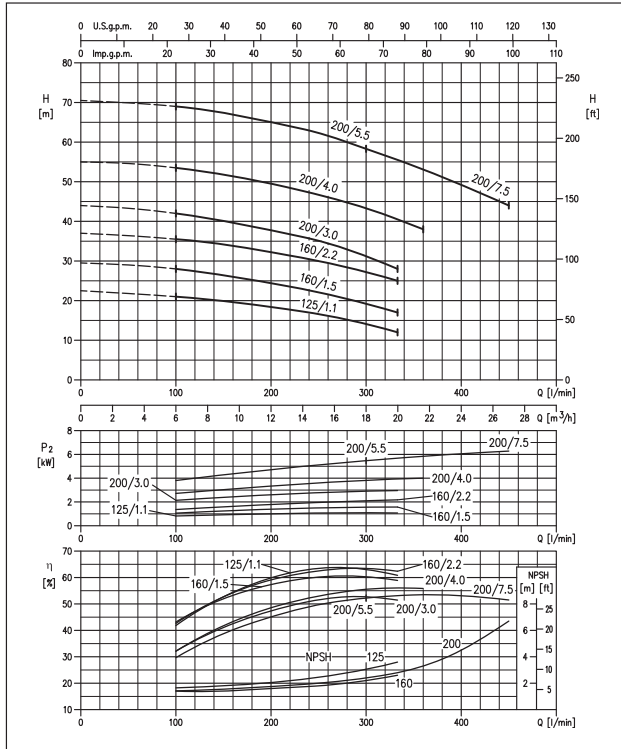
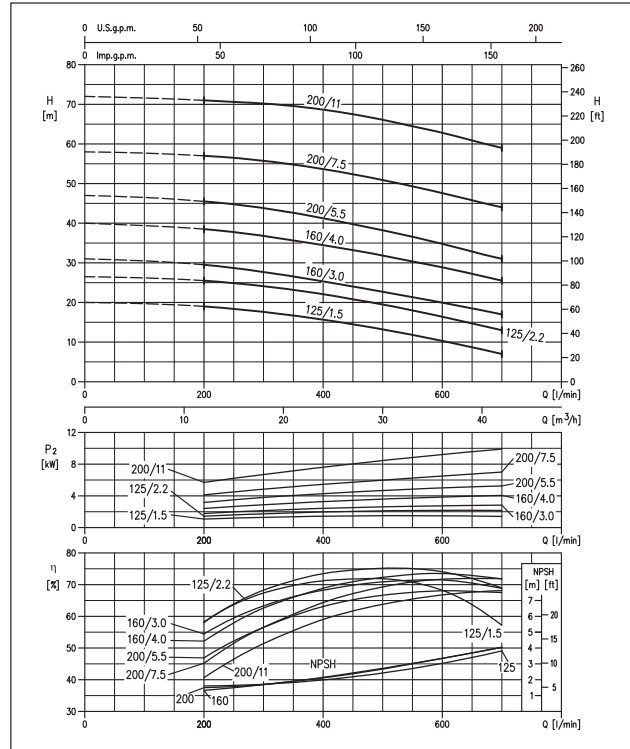
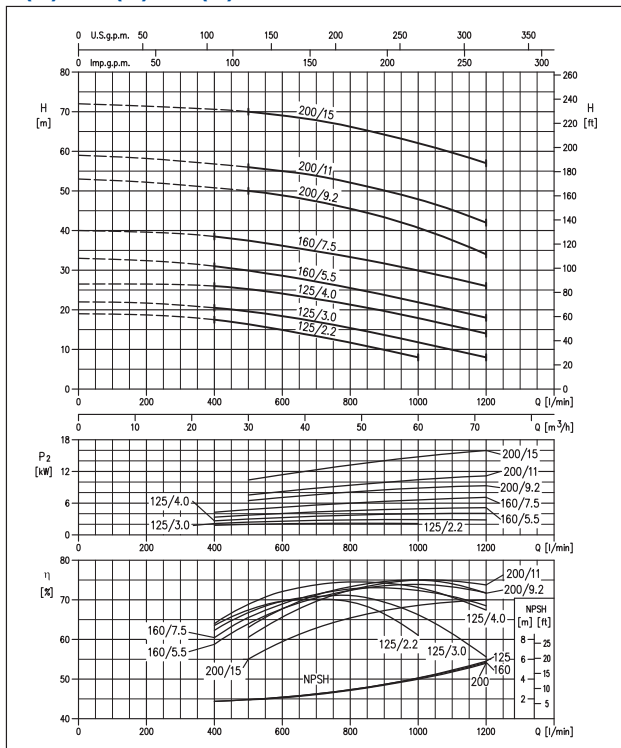
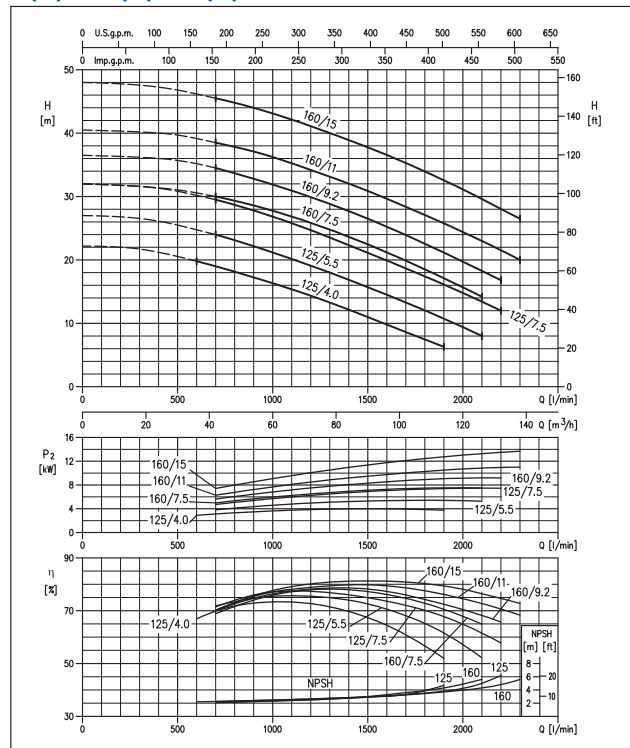
PERFORMANCE TABLE 32-40-50
4 Poles

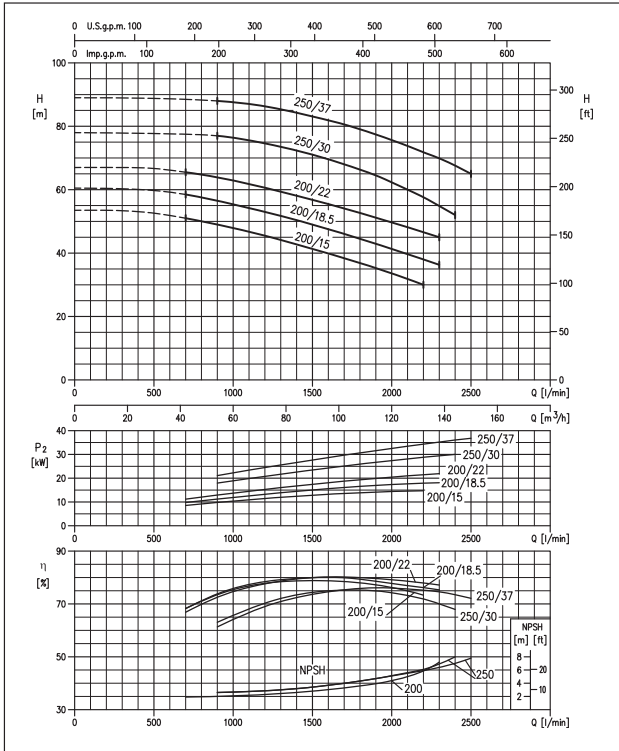
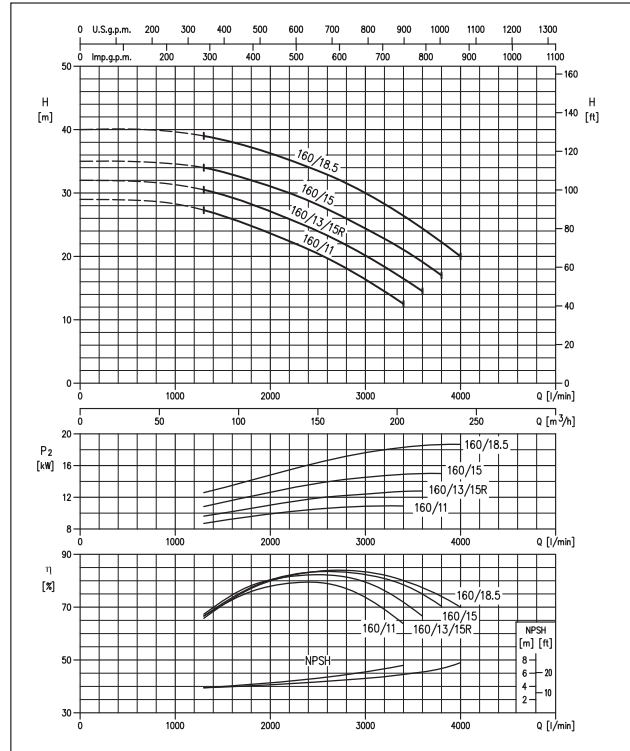
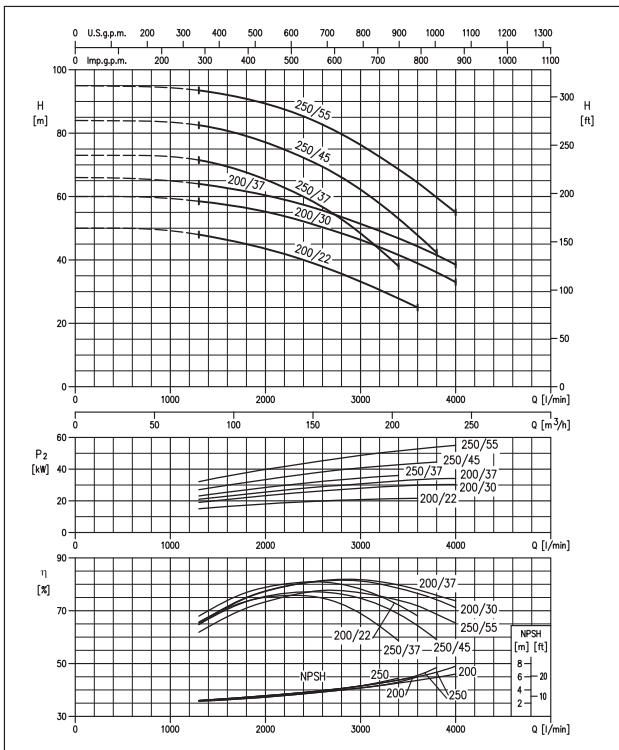
Model	kW	HP	Q=Capacity														
			l/min	0	50	100	150	175	200	250	300	350	400	500	600	650	
			m ³ /h	0	3	6	9	10.5	12	15	18	21	24	30	36	39	
			H=Total head (m)														
32-125/0.25	0.25	0.33	5.7	5.5	4.7	3.5	2.8	-	-	-	-	-	-	-	-	-	-
32-160/0.37R	0.37	0.5	7.3	7	6.2	5	4.2	-	-	-	-	-	-	-	-	-	-
32-160/0.37	0.37	0.5	9	8.7	8.1	7	6.3	-	-	-	-	-	-	-	-	-	-
32-200/0.55R	0.55	0.75	10.8	10.3	9.2	7.3	6.2	-	-	-	-	-	-	-	-	-	-
32-200/0.55	0.55	0.75	12.5	12	11	9.2	8	-	-	-	-	-	-	-	-	-	-
32-200/0.75	0.75	1	17.5	17.1	16.1	14.3	13.2	-	-	-	-	-	-	-	-	-	-
40-125/0.37R	0.37	0.5	5.1	-	4.8	4.5	4.3	4	3.4	2.6	1.8	-	-	-	-	-	-
40-125/0.37	0.37	0.5	6.5	-	6.3	6	5.8	5.5	4.9	4.2	3.4	-	-	-	-	-	-
40-160/0.55R	0.55	0.75	7.7	-	7.3	6.9	6.6	6.3	5.7	5	4.3	-	-	-	-	-	-
40-160/0.55	0.55	0.75	9.1	-	8.6	8.1	7.8	7.5	6.9	6.2	5.4	-	-	-	-	-	-
40-200/1.1R	1.1	1.5	11.6	-	11.2	10.8	10.5	10.1	9.4	8.6	7.8	-	-	-	-	-	-
40-200/1.1	1.1	1.5	13.6	-	13.2	12.7	12.4	12.1	11.4	10.6	9.6	-	-	-	-	-	-
40-200/1.5	1.5	2	18	-	17.7	17.3	17.1	16.8	16.1	15.2	14.2	-	-	-	-	-	-
50-125/0.55R	0.55	0.75	5.4	-	-	-	-	5.2	5	4.7	4.4	4	3.2	2.3	-	-	-
50-125/0.55	0.55	0.75	6.4	-	-	-	-	6.2	6	5.7	5.4	5	4.2	3.3	-	-	-
50-160/1.1R	1.1	1.5	8.2	-	-	-	-	7.8	7.6	7.2	6.9	6.4	5.5	4.5	4	-	-
50-160/1.1	1.1	1.5	9.5	-	-	-	-	9.1	8.9	8.6	8.3	7.9	7	6	5.5	-	-
50-200/1.5R	1.5	2	12.7	-	-	-	-	12.1	11.8	11.4	11	10.5	9.3	8	7.2	-	-
50-200/1.5	1.5	2	14	-	-	-	-	13.3	13	12.7	12.2	11.8	10.6	9.2	8.4	-	-
50-200/2.2	2.2	3	17.8	-	-	-	-	17.5	17.3	17	16.6	16.2	15.1	13.8	13.1	-	-

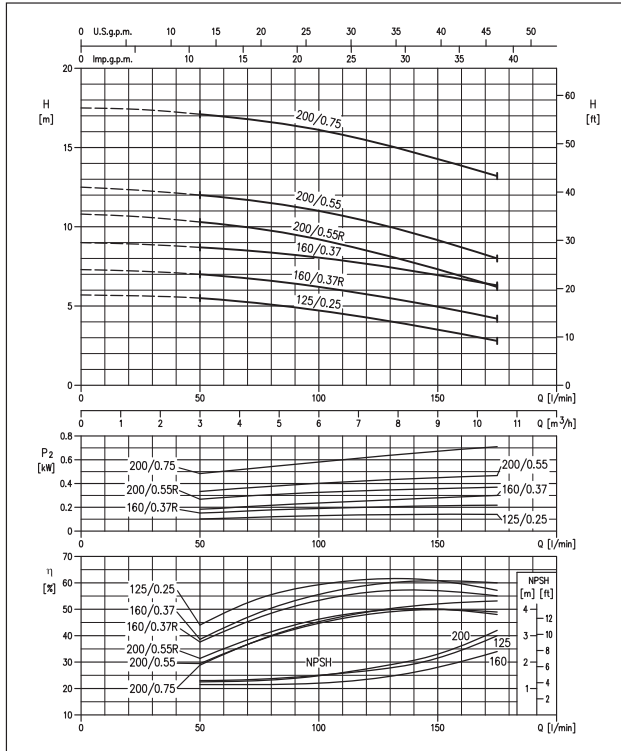
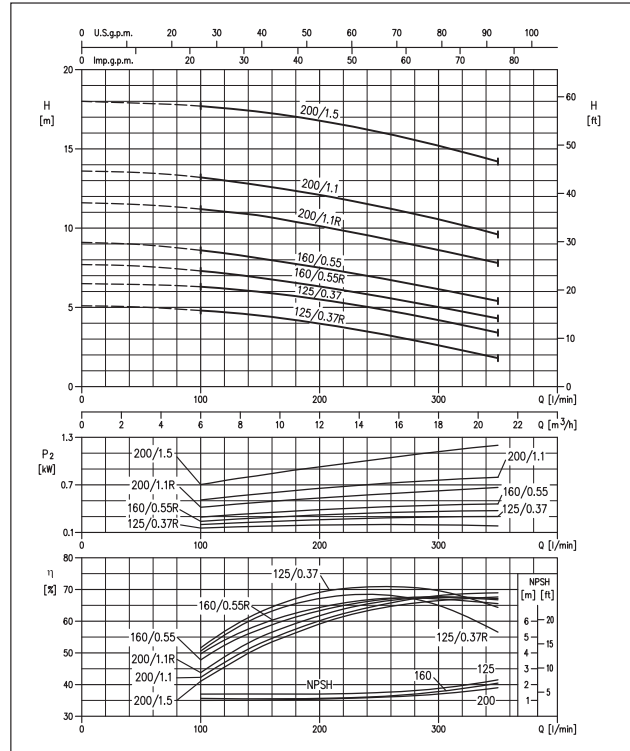
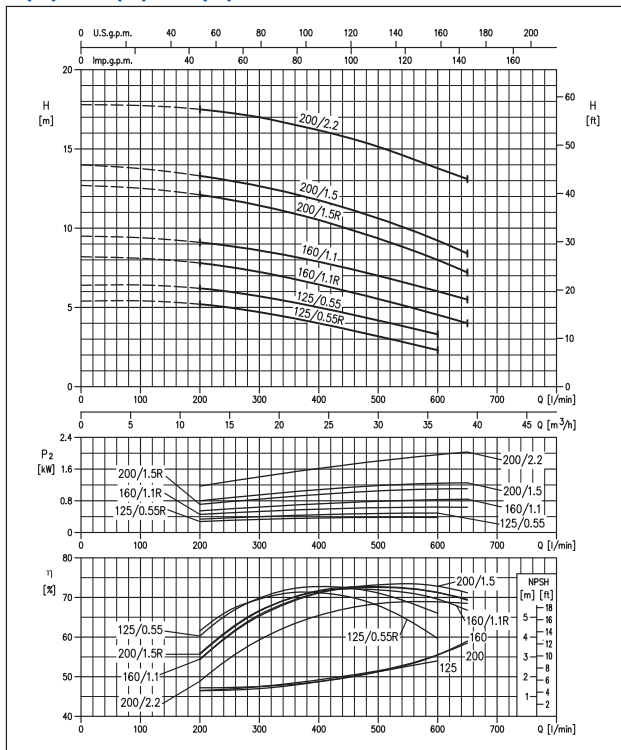
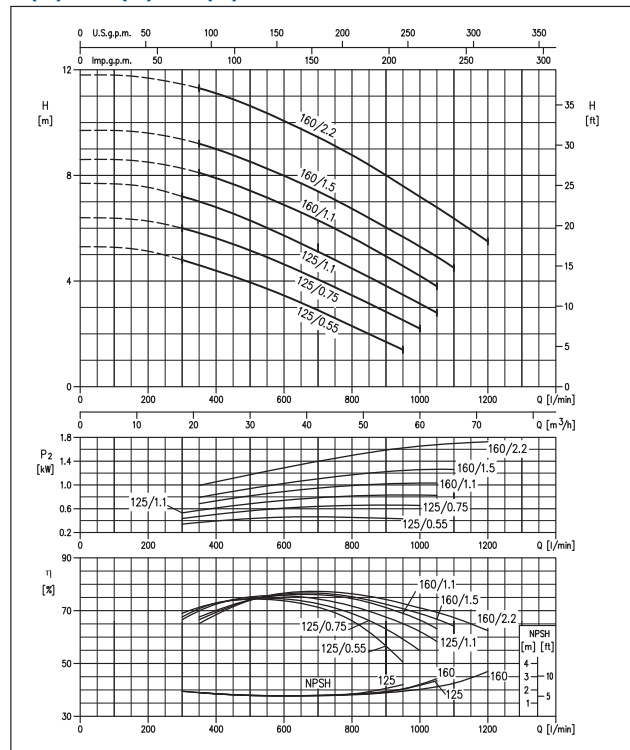
(M) 1-

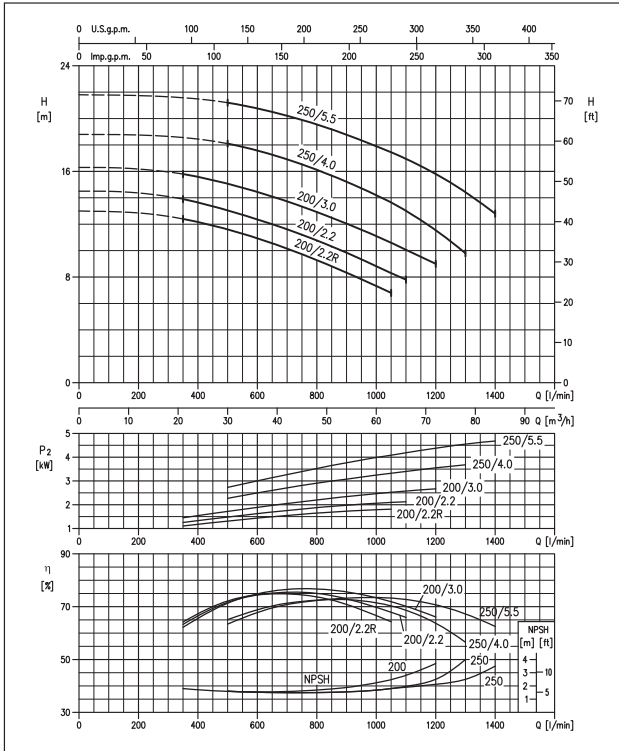
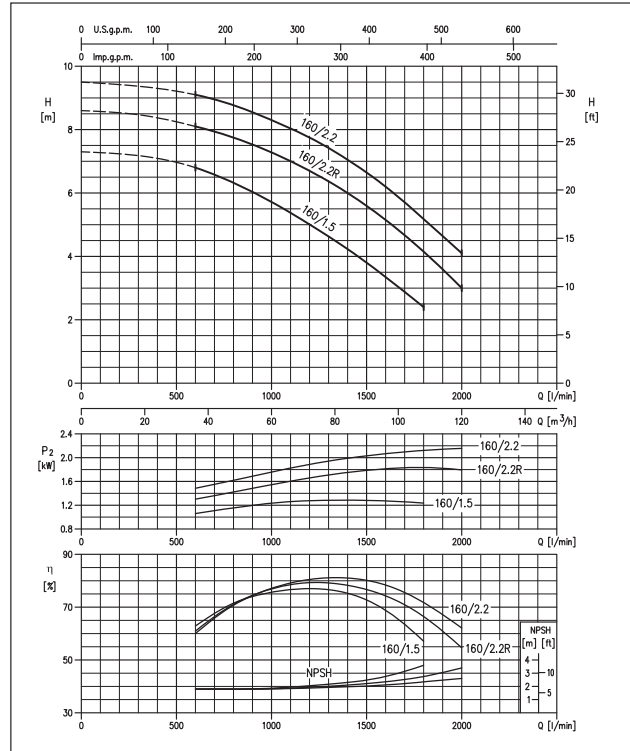
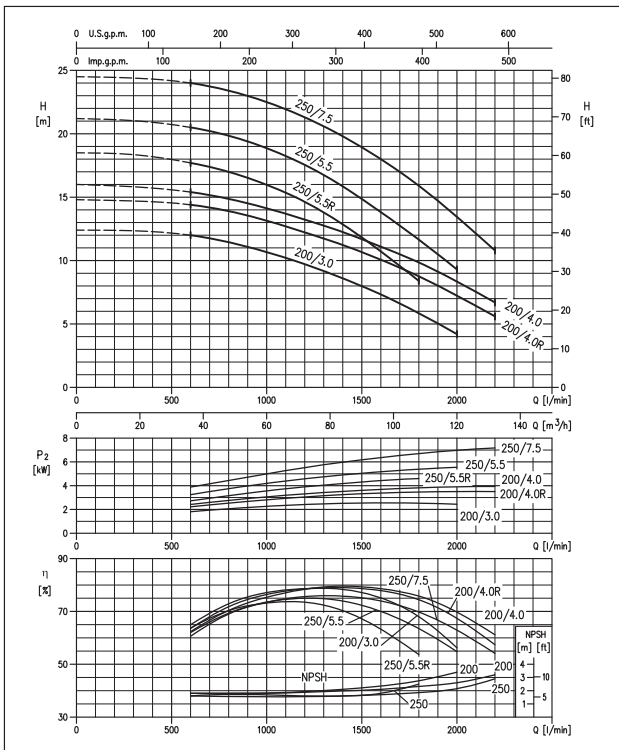
PERFORMANCE TABLE 65-80
4 Poles

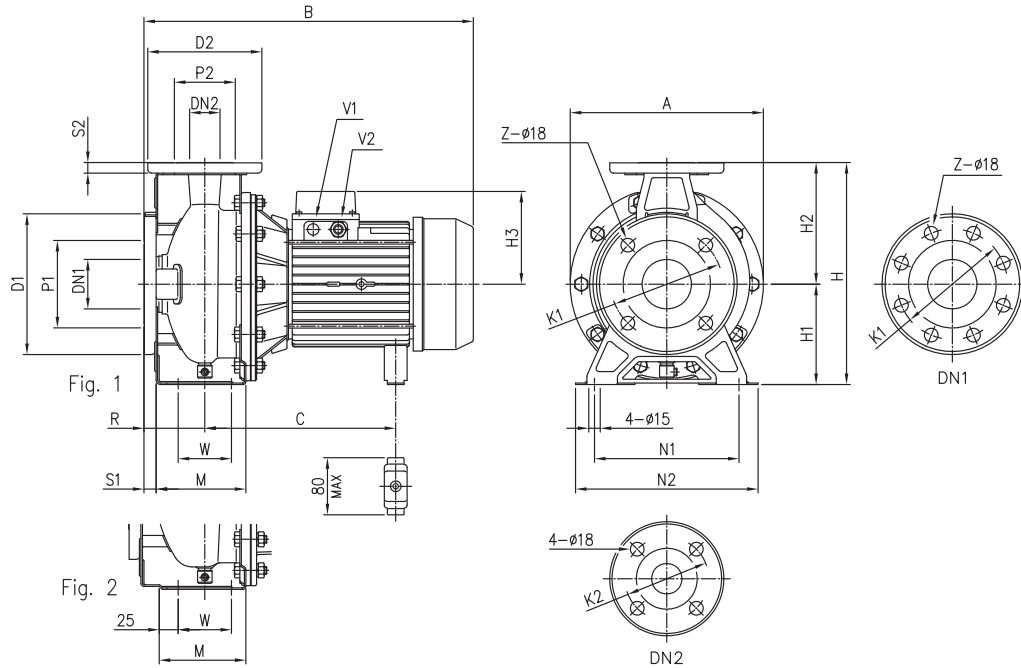
Model	kW	HP	Q=Capacity																	
			l/min	0	300	350	500	600	800	950	1000	1050	1100	1200	1300	1400	1600	1800	2000	2200
			m ³ /h	0	18	21	30	36	48	57	60	63	66	72	78	84	96	108	120	132
			H=Total head (m)																	
65-125/0.55	0.55	0.75	5.3	4.8	4.6	4	3.5	2.3	1.4	-	-	-	-	-	-	-	-	-	-	
65-125/0.75	0.75	1	6.4	6	5.8	5.2	4.6	3.5	2.5	2.2	-	-	-	-	-	-	-	-	-	
65-125/1.1	1.1	1.5	7.7	7.2	7	6.3	5.7	4.5	3.5	3.2	2.8	-	-	-	-	-	-	-	-	
65-160/1.1	1.1	1.5	8.6	-	8.1	7.4	6.9	5.7	4.6	4.2	3.8	-	-	-	-	-	-	-	-	
65-160/1.5	1.5	2	9.7	-	9.2	8.5	8	6.7	5.7	5.3	4.9	4.5	-	-	-	-	-	-	-	
65-160/2.2	2.2	3	11.8	-	11.3	10.6	10.1	8.8	7.6	7.2	6.8	6.4	5.5	-	-	-	-	-	-	
65-200/2.2R	2.2	3	13	-	12.4	11.6	10.9	9.3	7.8	7.3	6.8	-	-	-	-	-	-	-	-	
65-200/2.2	2.2	3	14.5	-	13.9	13	12.4	10.8	9.3	8.8	8.3	7.8	-	-	-	-	-	-	-	
65-200/3	3	4	16.3	-	15.8	15.1	14.4	12.9	11.6	11.1	10.6	10.1	9	-	-	-	-	-	-	
65-250/4	4	5.5	18.8	-	-	18.1	17.6	16.1	14.7	14.2	13.7	13	11.6	9.8	-	-	-	-	-	
65-250/5.5	5.5	7.5	21.8	-	-	21.2	20.8	19.6	18.4	17.9	17.5	17	15.8	14.4	12.8	-	-	-	-	
80-160/1.5	1.5	2	7.3	-	-	-	6.8	6.3	5.9	5.7	5.6	5.4	5	4.6	4.2	3.4	2.4	-	-	
80-160/2.2R	2.2	3	8.6	-	-	-	8.1	7.8	7.4	7.3	7.1	7	6.7	6.4	6	5.2	4.2	3	-	
80-160/2.2	2.2	3	9.5	-	-	-	9.1	8.8	8.4	8.3	8.2	8	7.8	7.4	7.1	6.2	5.2	4.1	-	
80-200/3	3	4	12.4	-	-	-	12	11.5	10.9	10.7	10.4	10.2	9.7	9.2	8.6	7.3	5.9	4.2	-	
80-200/4R	4	5.5	14.8	-	-	-	14.4	13.9	13.4	13.2	12.9	12.7	12.2	11.7	11.2	10.1	8.8	7.2	5.6	
80-200/4	4	5.5	16	-	-	-	15.4	14.9	14.3	14.1	13.9	13.7	13.2	12.8	12.3	11.1	9.9	8.4	6.7	
80-250/5.5R	5.5	7.5	18.5	-	-	-	17.7	17	16.3	16	15.7	15.4	14.6	13.8	12.9	10.7	8.4	-	-	
80-250/5.5	5.5	7.5	21.2	-	-	-	20.5	19.9	19.1	18.9	18.6	18.2	17.6	16.8	15.9	13.8	11.7	9.3	-	
80-250/7.5	7.5	10	24.5	-	-	-	24	23.4	22.8	22.5	22.2	21.9	21.3	20.6	19.8	18	15.9	13.5	10.8	

PERFORMANCE CURVE
2 Poles
3(L)M-3(L)S-3(L)P 32

3(L)M-3(L)S-3(L)P 40

3(L)M-3(L)S-3(L)P 50

3(L)M-3(L)S-3(L)P 65


PERFORMANCE CURVE
2 Poles
3L 65

3L 80

3L 80


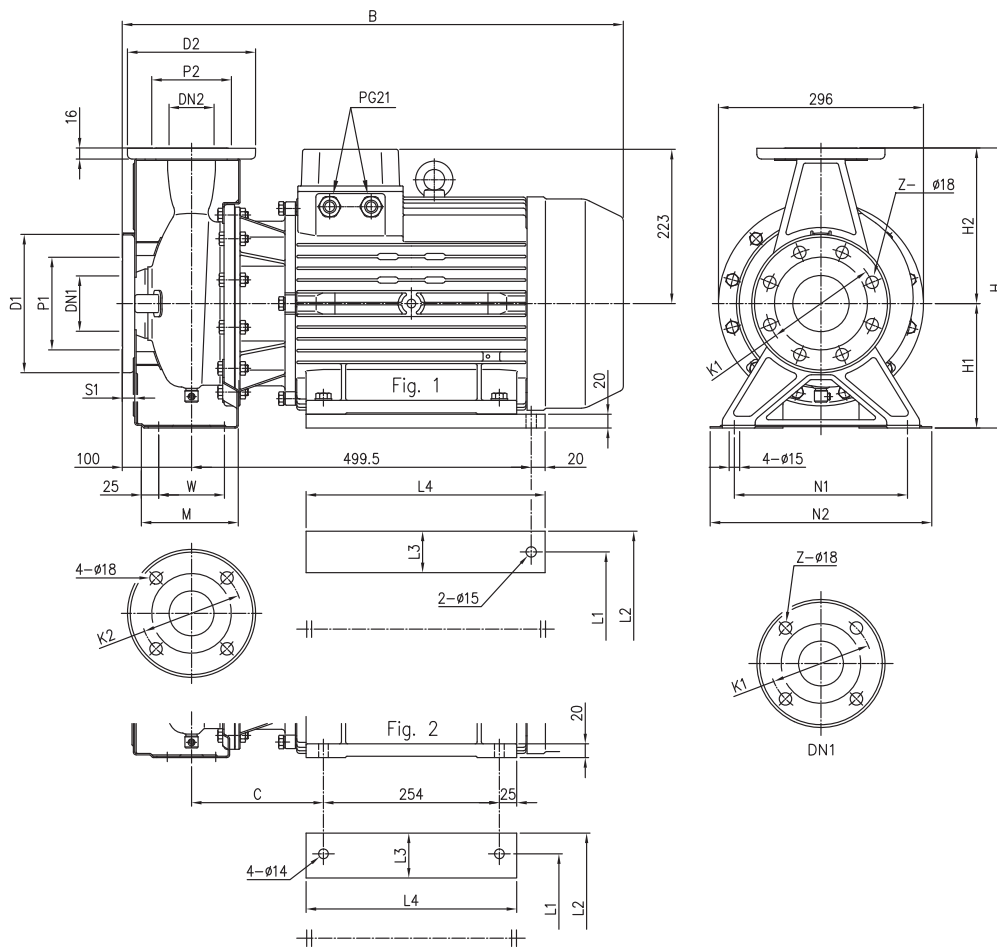
PERFORMANCE CURVE
4 Poles
3(L)M-3(L)S-3(L)P 32

3(L)M-3(L)S-3(L)P 40

3(L)M-3(L)S-3(L)P 50

3(L)M-3(L)S-3(L)P 65


PERFORMANCE CURVE
4 Poles
3L 65

3L 80

3L 80


DIMENSION
2 Poles
3(.)M 32, 40, 50, 65 up to 11kW

DIMENSIONAL TABLE

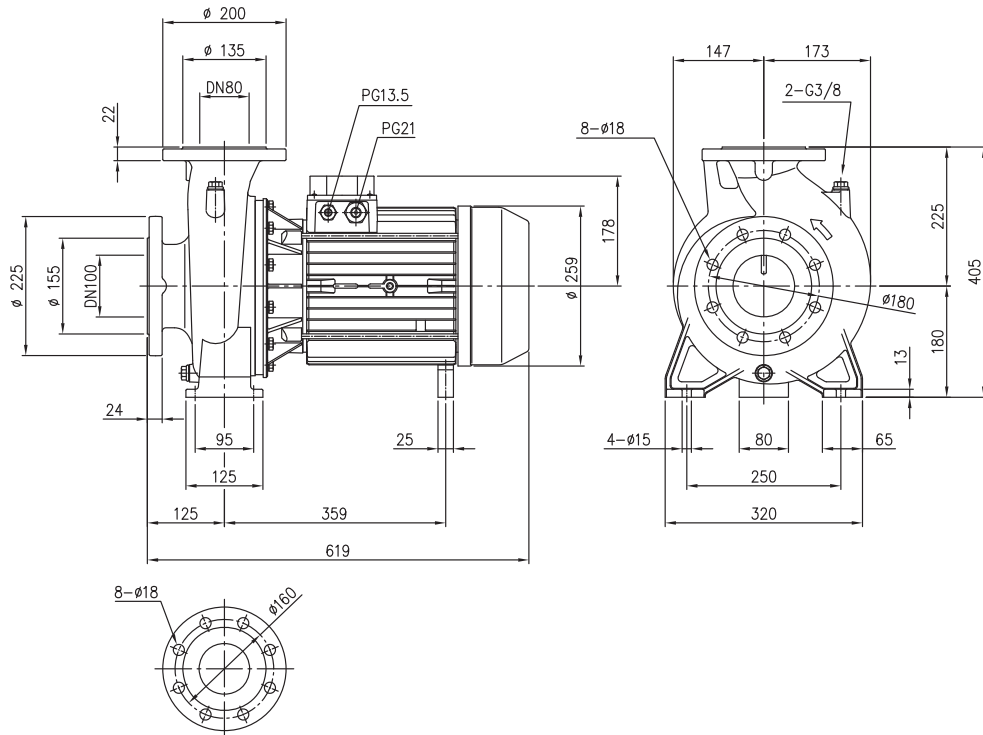
Model	Dimensions [mm]																				V1 [3]	V2		Weight [kg]						
	Ø DN1	Ø P1	Ø K1	Ø D1	S1	Z [1] [2]	Ø DN2	Ø P2	Ø K2	Ø D2	S2	Fig.	H	H1	H2	H3 [3] [4]	R	W	M	N1		N2	A		B	C	[3]	[4]		
32-125/1.1 (M)	50	95	125	165	16	4	-	32	75	100	140	14	1	252	112	140	124	141	80	70	114	140	190	213	408	219÷230	-	PG 13.5	M20x1.5	19.6
32-160/1.5 (M)	50	95	125	165	16	4	-	32	75	100	140	14	1	292	132	160	124	141	80	70	118	190	240	254	408	219÷230	-	PG 13.5	M20x1.5	22.5
32-160/2.2 (M)	50	95	125	165	16	4	-	32	75	100	140	14	1	292	132	160	124	141	80	70	118	190	240	254	408	219÷230	-	PG 13.5	M20x1.5	24.6
32-200/3.0	50	95	125	165	16	4	-	32	75	100	140	14	1	340	160	180	124	-	80	70	119	190	240	296	433	244÷255	-	PG 13.5	-	32.8
32-200/4.0	50	95	125	165	16	4	-	32	75	100	140	14	1	340	160	180	141	-	80	70	119	190	240	296	454	253	-	PG 16	-	39.5
32-200/5.5	50	95	125	165	16	4	-	32	75	100	140	14	1	340	160	180	150	-	80	70	119	190	240	296	475	275	PG 13.5	PG 16	-	48.5
32-200/7.5	50	95	125	165	16	4	-	32	75	100	140	14	1	340	160	180	150	-	80	70	119	190	240	296	517	275	PG 13.5	PG 16	-	57
40-125/1.5 (M)	65	115	145	185	16	4	-	40	80	110	150	14	1	252	112	140	124	141	80	70	114	160	210	213	408	219÷230	-	PG 13.5	M20x1.5	20.1
40-125/2.2 (M)	65	115	145	185	16	4	-	40	80	110	150	14	1	252	112	140	124	141	80	70	114	160	210	213	408	219÷230	-	PG 13.5	M20x1.5	22.7
40-160/3.0	65	115	145	185	16	4	-	40	80	110	150	14	1	292	132	160	124	-	80	70	118	190	240	254	433	244÷255	-	PG 13.5	-	28
40-160/4.0	65	115	145	185	16	4	-	40	80	110	150	14	1	292	132	160	141	-	80	70	118	190	240	254	454	253	-	PG 16	-	35.1
40-200/5.5	65	115	145	185	16	4	-	40	80	110	150	14	2	340	160	180	150	-	100	70	115	212	265	296	495	275	PG 13.5	PG 16	-	48.8
40-200/7.5	65	115	145	185	16	4	-	40	80	110	150	14	2	340	160	180	150	-	100	70	115	212	265	296	537	275	PG 13.5	PG 16	-	56.2
40-200/11	65	115	145	185	16	4	-	40	80	110	150	14	2	340	160	180	178	-	100	70	115	212	265	296	594	359	PG 13.5	PG 21	-	67.5
50-125/2.2 (M)	65	115	145	185	16	4	-	50	95	125	165	16	2	292	132	160	124	141	100	70	114	190	240	254	428	219÷230	-	PG 13.5	M20x1.5	28.1
50-125/3.0	65	115	145	185	16	4	-	50	95	125	165	16	2	292	132	160	124	-	100	70	114	190	240	254	453	244÷255	-	PG 13.5	-	28.6
50-125/4.0	65	115	145	185	16	4	-	50	95	125	165	16	2	292	132	160	141	-	100	70	114	190	240	254	474	253	-	PG 16	-	35.2
50-160/5.5	65	115	145	185	16	4	-	50	95	125	165	16	2	340	160	180	150	-	100	70	115	212	265	296	495	275	PG 13.5	PG 16	-	49.1
50-160/7.5	65	115	145	185	16	4	-	50	95	125	165	16	2	340	160	180	150	-	100	70	115	212	265	296	537	275	PG 13.5	PG 16	-	55.5
50-200/9.2	65	115	145	185	16	4	-	50	95	125	165	16	2	360	160	200	178	-	100	70	115	212	265	296	594	359	PG 13.5	PG 21	-	61.7
50-200/11	65	115	145	185	16	4	-	50	95	125	165	16	2	360	160	200	178	-	100	70	115	212	265	296	594	359	PG 13.5	PG 21	-	67.5
65-125/4	80	134	160	200	18	8	4	65	115	145	185	16	2	340	160	180	141	-	100	95	140	212	280	254	474	253	-	PG 16	-	40
65-125/5.5	80	134	160	200	18	8	4	65	115	145	185	16	2	340	160	180	150	-	100	95	140	212	280	254	495	275	PG 13.5	PG 16	-	52
65-125/7.5	80	134	160	200	18	8	4	65	115	145	185	16	2	340	160	180	150	-	100	95	140	212	280	254	537	275	PG 13.5	PG 16	-	58.5
65-160/7.5	80	134	160	200	18	8	4	65	115	145	185	16	2	360	160	200	150	-	100	95	140	212	280	296	537	275	PG 13.5	PG 16	-	62
65-160/9.2	80	134	160	200	18	8	4	65	115	145	185	16	2	360	160	200	178	-	100	95	140	212	280	296	594	359	PG 13.5	PG 21	-	67
65-160/11	80	134	160	200	18	8	4	65	115	145	185	16	2	360	160	200	178	-	100	95	140	212	280	296	594	359	PG 13.5	PG 21	-	75.6

[1] Standard
 [2] On request
 [3] Only for three phase
 [4] Only for single phase

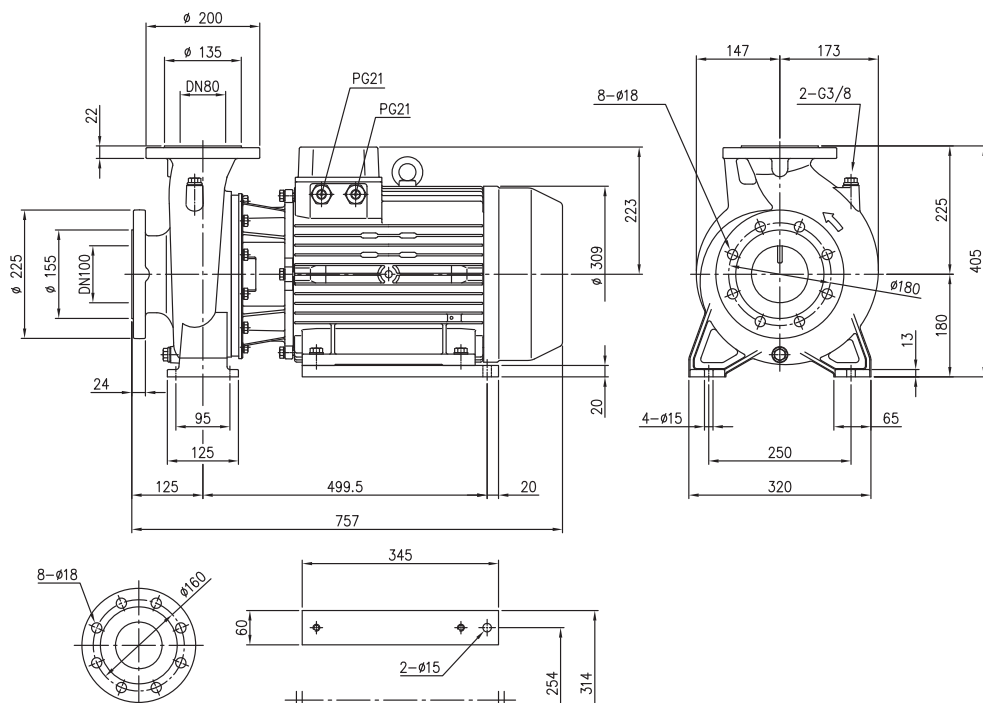
DIMENSION
2 Poles
3(.)M 50, 65 15 - 22kW

DIMENSIONAL TABLE

Model	Dimensions [mm]																								Weight [kg]	
	Ø DN1	Ø P1	Ø K1	Ø D1	S1	Z [1]	Z [2]	Ø DN2	Ø P2	Ø K2	Ø D2	Fig.	H	H1	H2	W	M	N1	N2	B	C	L1	L2	L3		L4
50-200/15	65	115	145	185	16	4	-	50	95	125	165	2	360	160	200	70	115	212	265	723	190.5	254	318	65	304	96
65-160/15	80	134	160	200	18	8	4	65	115	145	185	2	360	160	200	95	140	212	280	732	199.5	254	318	65	304	93
65-200/15	80	134	160	200	18	8	4	65	115	145	185	1	405	180	225	95	140	250	320	732	-	254	314	60	345	114
65-200/18.5	80	134	160	200	18	8	4	65	115	145	185	1	405	180	225	95	140	250	320	732	-	254	314	60	345	127
65-200/22	80	134	160	200	18	8	4	65	115	145	185	1	405	180	225	95	140	250	320	732	-	254	314	60	345	136

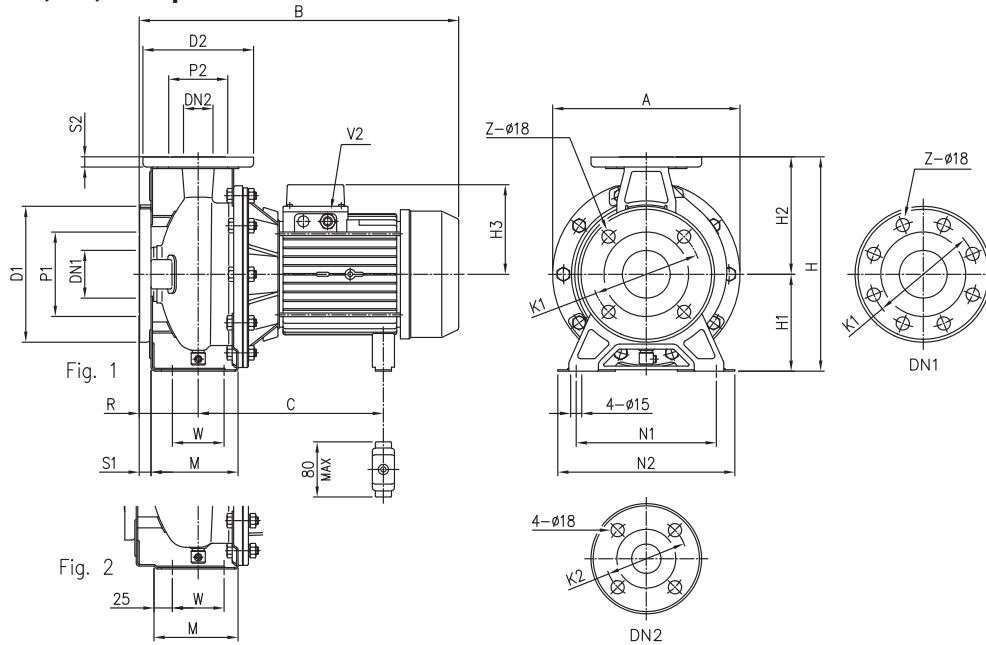
[1] Standard
 [2] On request

DIMENSION
2 Poles
3LM 80 - 160 11 - 13kW

Weight

80-160/11: 94 kg
80-160/13: 97 kg

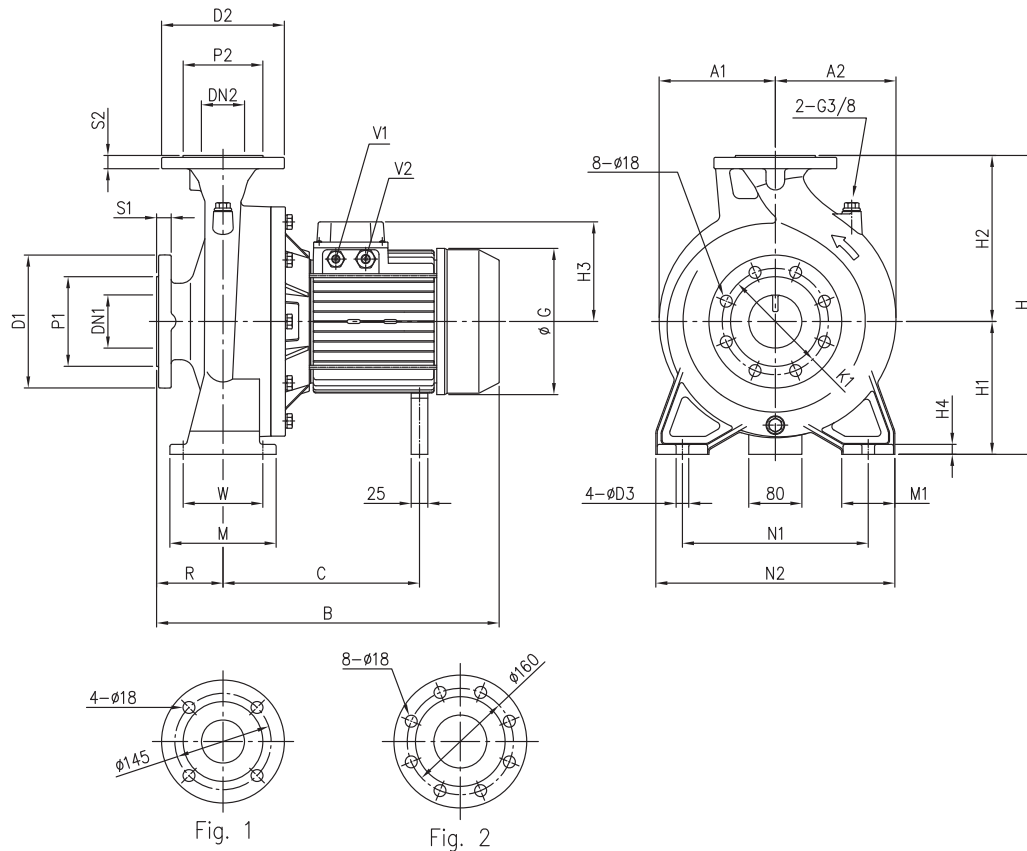
3LM 80 - 160 15 - 18.5kW

Weight

80-160/15: 130 kg
80-160/18.5: 143 kg

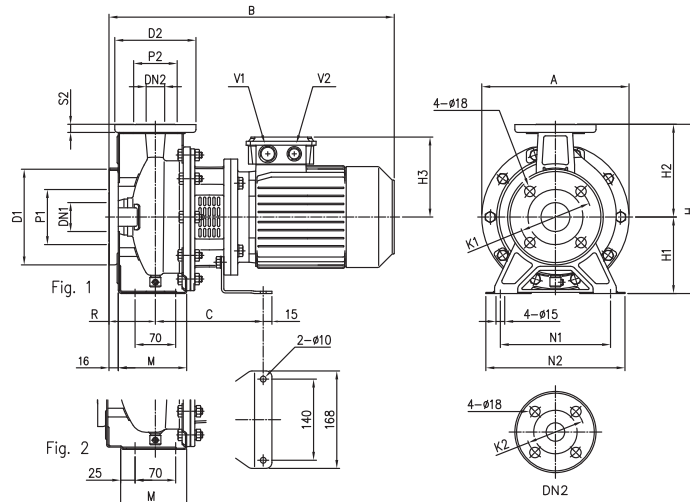
DIMENSION
4 Poles
3(.)M4 32, 40, 50, 65 up to 65 - 200

DIMENSIONAL TABLE

Model	Dimensions [mm]																				Weight [kg]						
	Ø DN1	Ø P1	Ø K1	Ø D1	S1	Z [1]	Z [2]	Ø DN2	Ø P2	Ø K2	Ø D2	S2	Fig.	H	H1	H2	H3	R	W	M		N1	N2	A	B	C	V2
32-125/0.25	50	95	125	165	16	4	-	32	75	100	140	14	1	252	112	140	102	80	70	114	140	190	213	371	205	PG 11	15
32-160/0.37R	50	95	125	165	16	4	-	32	75	100	140	14	1	292	132	160	119	80	70	118	190	240	254	395	219	PG 11	20
32-160/0.37	50	95	125	165	16	4	-	32	75	100	140	14	1	292	132	160	119	80	70	118	190	240	254	395	219	PG 11	20
32-200/0.55R	50	95	125	165	16	4	-	32	75	100	140	14	1	340	160	180	119	80	70	119	190	240	296	395	219	PG 11	24.5
32-200/0.55	50	95	125	165	16	4	-	32	75	100	140	14	1	340	160	180	119	80	70	119	190	240	296	395	219	PG 11	24.5
32-200/0.75	50	95	125	165	16	4	-	32	75	100	140	14	1	340	160	180	124	80	70	119	190	240	296	408	219÷230	PG 13.5	28
40-125/0.37R	65	115	145	185	16	4	-	40	80	110	150	14	1	252	112	140	102	80	70	114	160	210	213	371	205	PG 11	15.5
40-125/0.37	65	115	145	185	16	4	-	40	80	110	150	14	1	252	112	140	102	80	70	114	160	210	213	371	205	PG 11	15.5
40-160/0.55R	65	115	145	185	16	4	-	40	80	110	150	14	1	292	132	160	119	80	70	118	190	240	254	395	219	PG 11	20.5
40-160/0.55	65	115	145	185	16	4	-	40	80	110	150	14	1	292	132	160	119	80	70	118	190	240	254	395	219	PG 11	20.5
40-200/1.1R	65	115	145	185	16	4	-	40	80	110	150	14	2	340	160	180	124	100	70	115	212	265	296	428	219÷230	PG 13.5	28.5
40-200/1.1	65	115	145	185	16	4	-	40	80	110	150	14	2	340	160	180	124	100	70	115	212	265	296	428	219÷230	PG 13.5	28.5
40-200/1.5	65	115	145	185	16	4	-	40	80	110	150	14	2	340	160	180	124	100	70	115	212	265	296	428	219÷230	PG 13.5	30.5
50-125/0.55R	65	115	145	185	16	4	-	50	95	125	165	16	2	292	132	160	119	100	70	114	190	240	254	415	219	PG 11	20.5
50-125/0.55	65	115	145	185	16	4	-	50	95	125	165	16	2	292	132	160	119	100	70	114	190	240	254	415	219	PG 11	20.5
50-160/1.1R	65	115	145	185	16	4	-	50	95	125	165	16	2	340	160	180	124	100	70	115	212	265	296	428	219÷230	PG 13.5	28.5
50-160/1.1	65	115	145	185	16	4	-	50	95	125	165	16	2	340	160	180	124	100	70	115	212	265	296	428	219÷230	PG 13.5	25.5
50-200/1.5R	65	115	145	185	16	4	-	50	95	125	165	16	2	360	160	200	124	100	70	115	212	265	296	428	219÷230	PG 13.5	30.5
50-200/1.5	65	115	145	185	16	4	-	50	95	125	165	16	2	360	160	200	124	100	70	115	212	265	296	428	219÷230	PG 13.5	31.5
50-200/2.2	65	115	145	185	16	4	-	50	95	125	165	16	2	360	160	200	141	100	70	115	212	265	296	474	253	PG 16	36
65-125/0.55	80	134	160	200	18	8	4	65	115	145	185	16	2	340	160	180	119	100	95	140	212	280	254	415	219	PG 11	18.5
65-125/0.75	80	134	160	200	18	8	4	65	115	145	185	16	2	340	160	180	124	100	95	140	212	280	254	428	219÷230	PG 13.5	20
65-125/1.1	80	134	160	200	18	8	4	65	115	145	185	16	2	340	160	180	124	100	95	140	212	280	254	428	219÷230	PG 13.5	20
65-160/1.1	80	134	160	200	18	8	4	65	115	145	185	16	2	360	160	200	124	100	95	140	212	280	296	428	219÷230	PG 13.5	28.5
65-160/1.5	80	134	160	200	18	8	4	65	115	145	185	16	2	360	160	200	124	100	95	140	212	280	296	428	219÷230	PG 13.5	30
65-160/2.2	80	134	160	200	18	8	4	65	115	145	185	16	2	360	160	200	141	100	95	140	212	280	296	474	253	PG 16	37
65-200/2.2R	80	134	160	200	18	8	4	65	115	145	185	16	2	405	180	225	141	100	95	140	250	320	296	474	253	PG 16	34.5
65-200/2.2	80	134	160	200	18	8	4	65	115	145	185	16	2	405	180	225	141	100	95	140	250	320	296	474	253	PG 16	35
65-200/3	80	134	160	200	18	8	4	65	115	145	185	16	2	405	180	225	141	100	95	140	250	320	296	474	253	PG 16	40

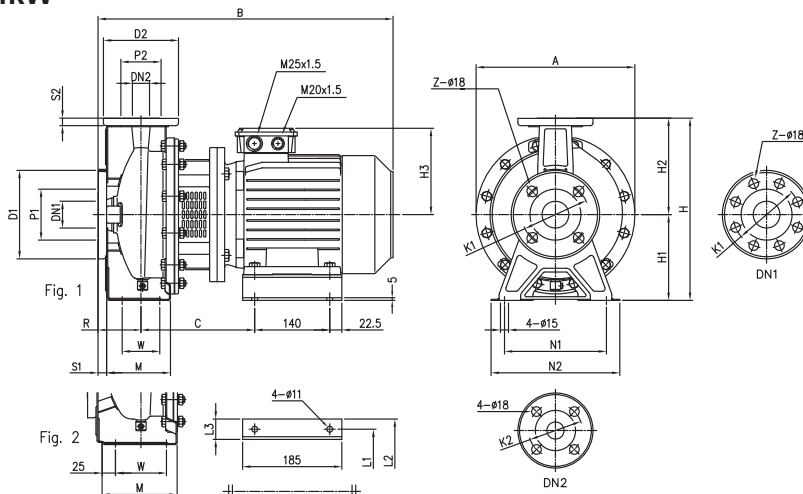
[1] Standard
[2] On request

DIMENSION
4 Poles
3LM4 65 - 250, 80

DIMENSIONAL TABLE

Model	Dimensions [mm]																							Weight [kg]					
	DN1	P1	K1	D1	S1	DN2	P2	D2	S2	H	H1	H2	H3	H4	R	W	N1	N2	M	M1	A1	A2	B		C	G	D3	V1	V2
65-250/4	80	135	160	200	22	65 Fig. 1	120	185	20	450	200	250	150	15	100	120	280	360	160	80	175	182	515	295	220	19	PG13.5	PG16	82
65-250/5.5	80	135	160	200	22	65 Fig. 1	120	185	20	450	200	250	178	15	100	120	280	360	160	80	175	182	611	376	259	19	PG13.5	PG21	94.5
80-160/1.5	100	155	180	225	24	80 Fig. 2	135	200	22	405	180	225	124	13	125	95	250	320	125	65	147	173	453	219÷230	176	15	-	PG13.5	53
80-160/2.2R	100	155	180	225	24	80 Fig. 2	135	200	22	405	180	225	141	13	125	95	250	320	125	65	147	173	499	253	193	15	-	PG16	56
80-160/2.2	100	155	180	225	24	80 Fig. 2	135	200	22	405	180	225	141	13	125	95	250	320	125	65	147	173	499	253	193	15	-	PG16	59
80-200/3	100	155	180	225	24	80 Fig. 2	135	200	22	430	180	250	141	13	125	95	280	345	125	65	175	182	521	275	193	15	-	PG16	73
80-200/4R	100	155	180	225	24	80 Fig. 2	135	200	22	430	180	250	150	13	125	95	280	345	125	65	175	182	540	295	220	15	PG13.5	PG16	81
80-200/4	100	155	180	225	24	80 Fig. 2	135	200	22	430	180	250	150	13	125	95	280	345	125	65	175	182	540	295	220	15	PG13.5	PG16	81
80-250/5.5R	100	155	180	225	24	80 Fig. 2	135	200	22	480	200	280	178	15	125	120	315	400	160	80	175	192	636	376	259	19	PG13.5	PG21	95
80-250/5.5	100	155	180	225	24	80 Fig. 2	135	200	22	480	200	280	178	15	125	120	315	400	160	80	175	192	636	376	259	19	PG13.5	PG21	95
80-250/7.5	100	155	180	225	24	80 Fig. 2	135	200	22	480	200	280	178	15	125	120	315	400	160	80	175	192	636	376	259	19	PG13.5	PG21	100

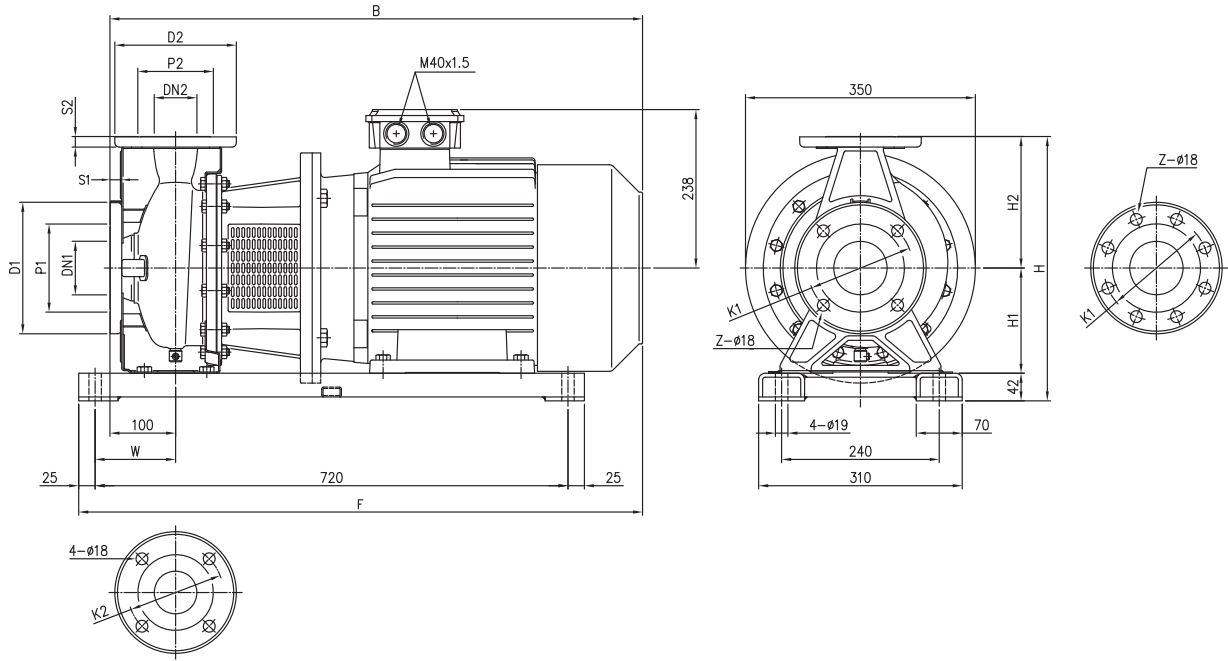
DIMENSION
2 Poles
3(.)S 32, 40, 50 up to 2.2kW

DIMENSIONAL TABLE

Model	Dimensions [mm]																				Weight [kg]			
	∅ DN1	∅ P1	∅ K1	∅ D1	∅ DN2	∅ P2	∅ K2	∅ D2	S2	Fig.	H	H1	H2	H3	R	M	N1	N2	A	B		C	V1	V2
32-125/1.1	50	95	125	165	32	75	100	140	14	1	252	112	140	129	80	114	140	190	213	430	174	M25x1.5	M20x1.5	23.1
32-160/1.5	50	95	125	165	32	75	100	140	14	1	292	132	160	138	80	118	190	240	254	477	186	M25x1.5	M20x1.5	28.5
32-160/2.2	50	95	125	165	32	75	100	140	14	1	292	132	160	138	80	118	190	240	254	477	186	M25x1.5	M20x1.5	32.4
40-125/1.5	65	115	145	185	40	80	110	150	14	1	252	112	140	138	80	114	160	210	213	477	186	M25x1.5	M20x1.5	26.5
40-125/2.2	65	115	145	185	40	80	110	150	14	1	252	112	140	138	80	114	160	210	213	477	186	M25x1.5	M20x1.5	29.6
50-125/2.2	65	115	145	185	50	95	125	165	16	2	292	132	160	138	100	114	190	240	254	497	186	M25x1.5	M20x1.5	32.9

3(.)S 32, 65 3 - 4kW

DIMENSIONAL TABLE

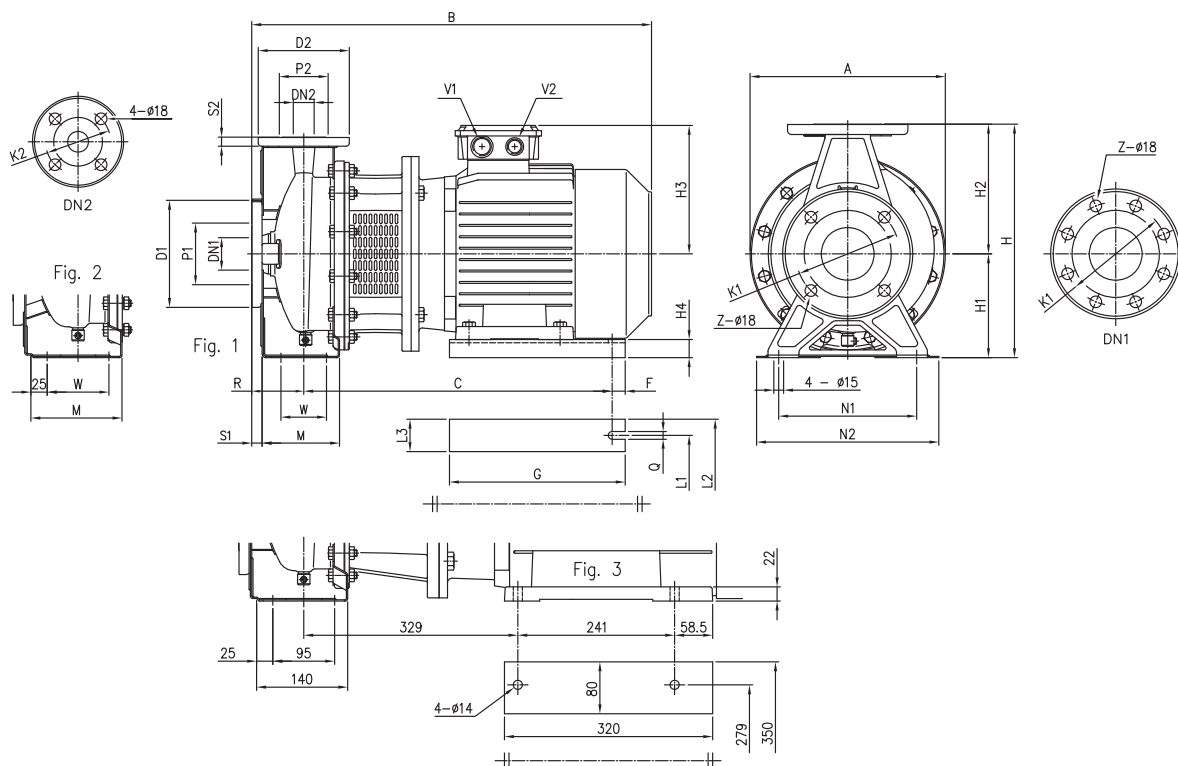
Model	Dimensions [mm]																									Weight [kg]			
	∅ DN1	∅ P1	∅ K1	∅ D1	S1	Z [1]	Z [2]	∅ DN2	∅ P2	∅ K2	∅ D2	S2	Fig.	H	H1	H2	H3	R	W	M	N1	N2	A	B	C		L1	L2	L3
32-200/3.0	50	95	125	165	16	4	-	32	75	100	140	14	1	340	160	180	145	80	70	119	190	240	296	528	205	160	202	42	43.4
32-200/4.0	50	95	125	165	16	4	-	32	75	100	140	14	1	340	160	180	161	80	70	119	190	240	296	550	212	190	228	38	45.9
65-125/4.0	80	134	160	200	18	8	4	65	115	145	185	16	2	340	160	180	161	100	95	140	212	280	254	570	212	190	228	38	47

[1] Standard
[2] On request

DIMENSION
2 Poles
3(.)S 40, 50, 65 11 - 15kW

DIMENSIONAL TABLE

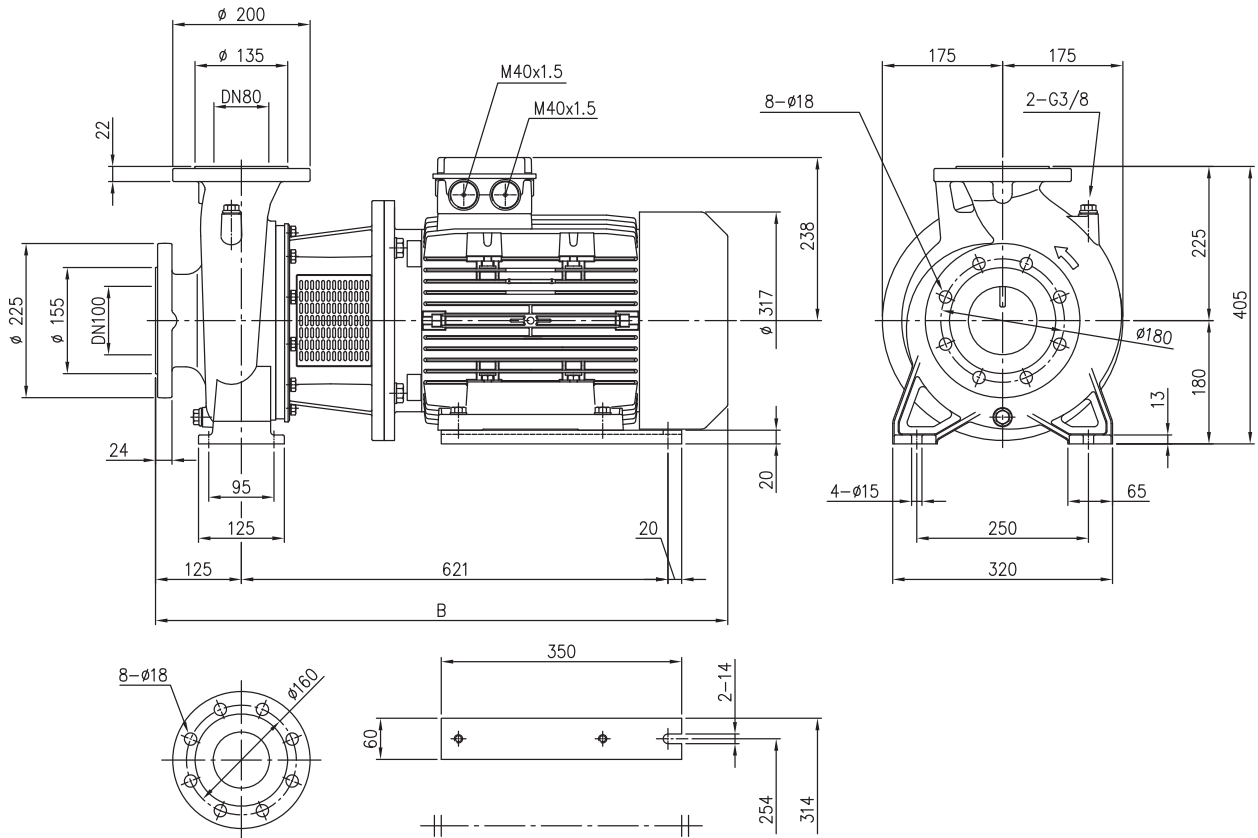
Model	Dimensions [mm]																			Weight [kg]
	Ø DN1	Ø P1	Ø K1	Ø D1	S1	Z	[1]	[2]	Ø DN2	Ø P2	Ø K2	Ø D2	S2	H	H1	H2	W	B	F	
40-200/11	65	115	145	185	16	4	-	40	80	110	150	14	382	160	180	110	798	833	107	
50-200/11	65	115	145	185	16	4	-	50	95	125	165	16	402	160	200	110	798	833	107	
50-200/15	65	115	145	185	16	4	-	50	95	125	165	16	402	160	200	110	798	833	131	
65-160/11	80	134	160	200	18	8	4	65	115	145	185	16	402	160	200	122.5	798	846	76	
65-160/15	80	134	160	200	18	8	4	65	115	145	185	16	402	160	200	122.5	808	856	104	

[1] Standard
[2] On request

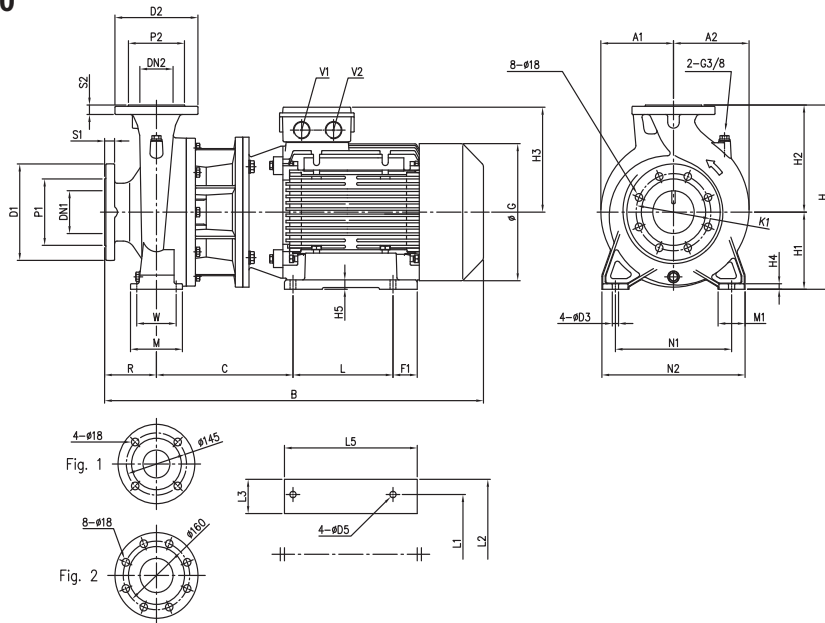
DIMENSION
2 Poles
3(.)S up to 65 - 200

DIMENSIONAL TABLE

Model	Dimensions [mm]																				V1	V2	Weight [kg]												
	Ø DN1	Ø P1	Ø K1	Ø D1	S1	Z [1]	Z [2]	Ø DN2	Ø P2	Ø K2	Ø D2	S2	Fig.	H	H1	H2	H3	H4	R	W				M	N1	N2	A	B	C	F	G	Q	L1	L2	L3
32-200/5.5	50	95	125	165	16	4	-	32	75	100	140	14	1	340	160	180	195	28	80	70	119	190	240	300	607	479	15	270	12	216	266	50	M32x1.5	M32x1.5	62.8
32-200/7.5	50	95	125	165	16	4	-	32	75	100	140	14	1	340	160	180	195	28	80	70	119	190	240	300	607	479	15	270	12	216	266	50	M32x1.5	M32x1.5	74.6
40-160/3.0	65	115	145	185	16	4	-	40	80	110	150	14	1	292	132	160	145	32	80	70	118	190	240	254	528	388	15	220	12	160	200	40	M25x1.5	M20x1.5	39
40-160/4.0	65	115	145	185	16	4	-	40	80	110	150	14	1	292	132	160	161	20	80	70	118	190	240	254	550	395	15	220	12	190	240	50	M25x1.5	M20x1.5	41.5
40-200/5.5	65	115	145	185	16	4	-	40	80	110	150	14	2	340	160	180	195	28	100	70	115	212	265	300	627	479	15	270	12	216	266	50	M32x1.5	M32x1.5	63.2
40-200/7.5	65	115	145	185	16	4	-	40	80	110	150	14	2	340	160	180	195	28	100	70	115	212	265	300	627	479	15	270	12	216	266	50	M32x1.5	M32x1.5	69.6
50-125/3.0	65	115	145	185	16	4	-	50	95	125	165	16	2	292	132	160	145	32	100	70	114	190	240	254	548	388	15	220	12	160	200	40	M25x1.5	M20x1.5	42
50-125/4.0	65	115	145	185	16	4	-	50	95	125	165	16	2	292	132	160	161	20	100	70	114	190	240	254	570	395	15	220	12	190	240	50	M25x1.5	M20x1.5	42.5
50-160/5.5	65	115	145	185	16	4	-	50	95	125	165	16	2	340	160	180	195	28	100	70	115	212	265	300	627	479	15	270	12	216	266	50	M32x1.5	M32x1.5	63.8
50-160/7.5	65	115	145	185	16	4	-	50	95	125	165	16	2	340	160	180	195	28	100	70	115	212	265	300	627	479	15	270	12	216	266	50	M32x1.5	M32x1.5	69.6
50-200/9.2	65	115	145	185	16	4	-	50	95	125	165	16	2	360	160	200	195	28	100	70	115	212	265	300	667	479	15	270	12	216	266	50	M32x1.5	M32x1.5	79.7
65-125/5.5	80	134	160	200	18	8	4	65	115	145	185	16	2	340	160	180	195	28	100	95	140	212	280	300	627	479	15	270	12	216	266	50	M32x1.5	M32x1.5	60
65-125/7.5	80	134	160	200	18	8	4	65	115	145	185	16	2	340	160	180	195	28	100	95	140	212	280	300	627	479	15	270	12	216	266	50	M32x1.5	M32x1.5	67
65-160/7.5	80	134	160	200	18	8	4	65	115	145	185	16	2	360	160	200	195	28	100	95	140	212	280	300	627	479	15	270	12	216	266	50	M32x1.5	M32x1.5	70
65-160/9.2	80	134	160	200	18	8	4	65	115	145	185	16	2	360	160	200	195	28	100	95	140	212	280	300	667	479	15	270	12	216	266	50	M32x1.5	M32x1.5	77
65-200/15	80	134	160	200	18	8	4	65	115	145	185	16	2	405	180	225	238	20	100	95	140	250	320	350	808	621	20	350	14	254	314	60	M40x1.5	M40x1.5	128
65-200/18.5	80	134	160	200	18	8	4	65	115	145	185	16	2	405	180	225	238	20	100	95	140	250	320	350	852	621	20	350	14	254	314	60	M40x1.5	M40x1.5	141
65-200/22	80	134	160	200	18	8	4	65	115	145	185	16	3	405	180	225	245	-	100	-	-	250	320	350	888	-	-	-	-	-	-	-	M40x1.5	M40x1.5	160

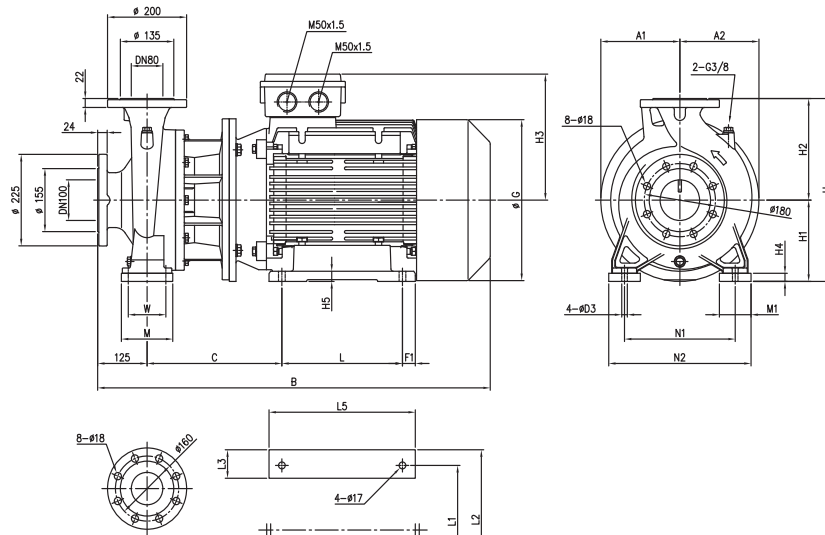
[1] Standard
[2] On request

DIMENSION
2 Poles
3LS 80-160

DIMENSIONAL TABLE

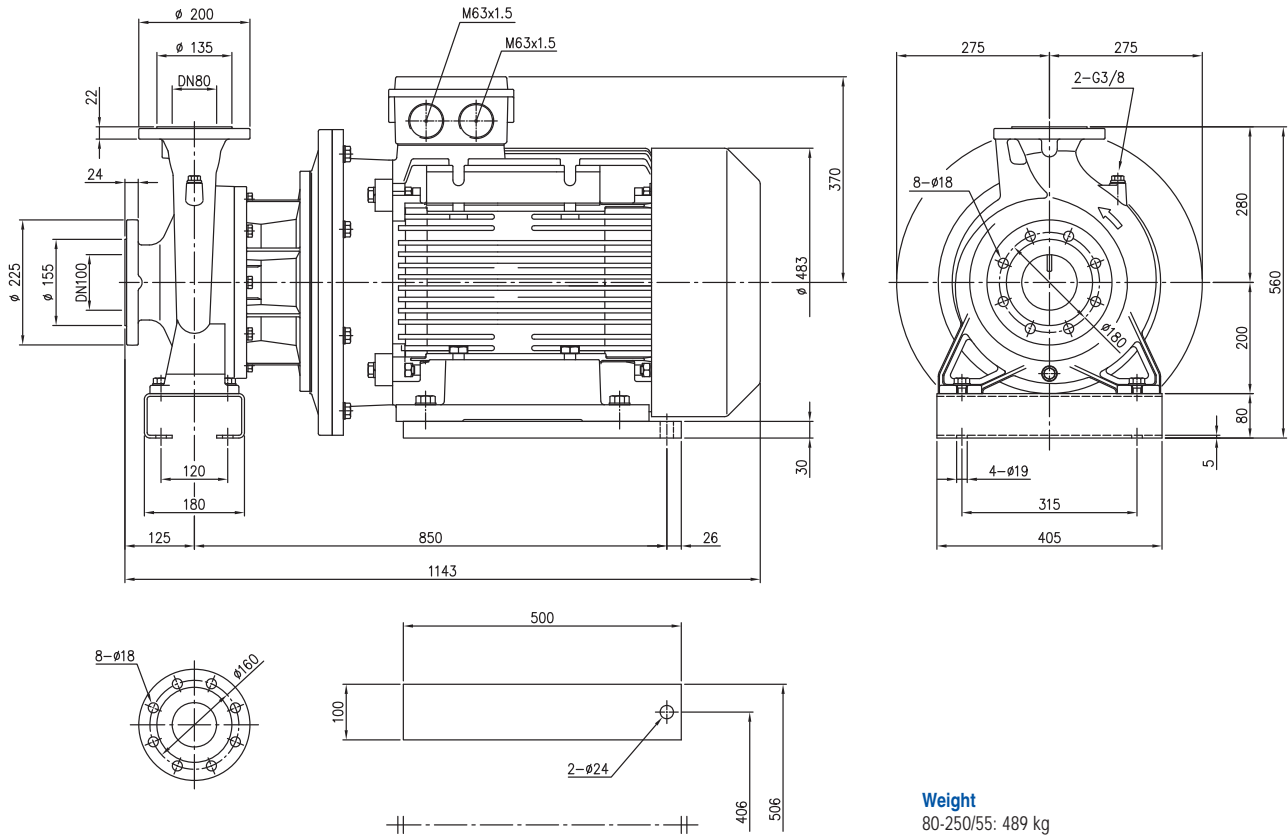
Model	Dimensions [mm]	
	B	Weight [kg]
80-160/11	833	135
80-160/15R	833	147
80-160/15	833	147
80-160/18.5	877	155

DIMENSION
2 Poles
3LS 65 - 250, 80

DIMENSIONAL TABLE

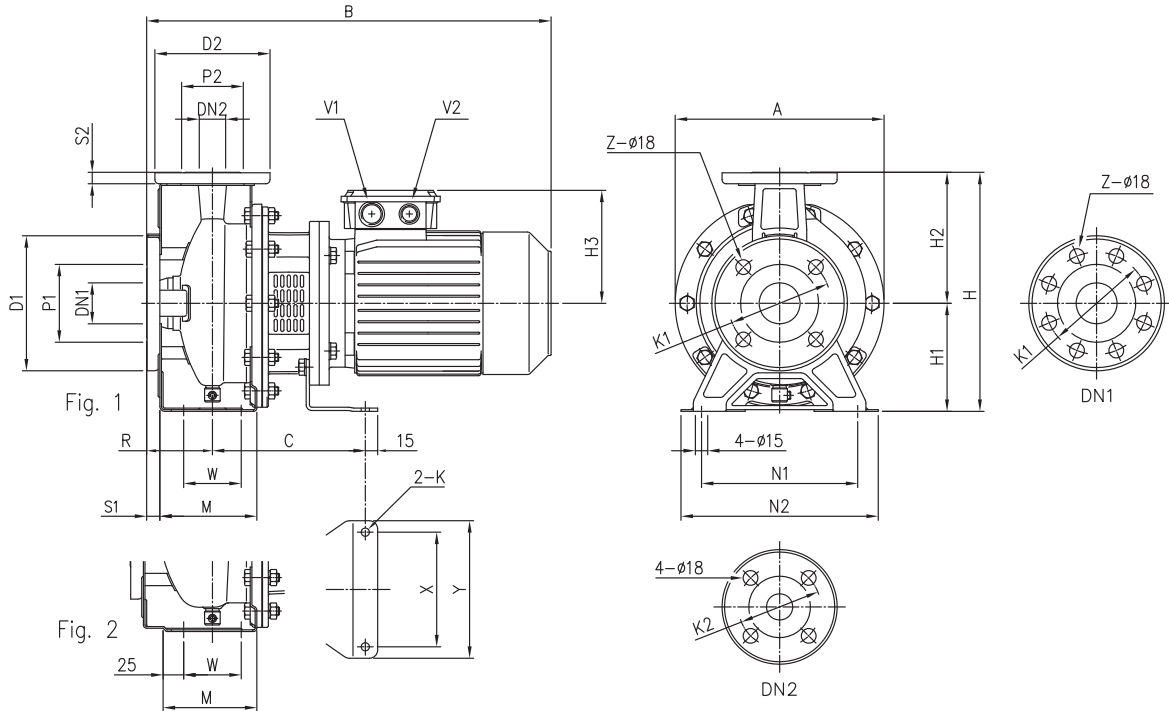
Model	Dimensions [mm]																										Weight [kg]										
	DN1	P1	K1	D1	S1	DN2	P2	D2	S2	H	H1	H2	H3	H4	H5	R	W	N1	N2	M	M1	L	L1	L2	L3	L5		A1	A2	B	C	F1	G	D3	D5	V1	V2
65-250/30	80	135	160	200	22	65 Fig. 1	120	185	20	450	200	250	310	15	25	100	120	280	360	160	80	305	318	395	70	370	200	200	968	341	32.5	396	19	17	M50x1.5	M50x1.5	303
65-250/37	80	135	160	200	22	65 Fig. 1	120	185	20	450	200	250	310	15	25	100	120	280	360	160	80	305	318	395	70	370	200	200	968	341	32.5	396	19	17	M50x1.5	M50x1.5	320
80-200/22	100	155	180	225	24	65 Fig. 2	135	200	22	430	180	250	245	13	22	125	95	280	345	125	65	241	279	350	80	320	175	182	913	329	58.5	320	15	14	M40x1.5	M40x1.5	200
80-250/37	100	155	180	225	24	65 Fig. 2	135	200	22	480	200	280	310	15	25	125	120	315	400	160	80	305	318	395	70	370	200	200	1021	369	32.5	396	19	17	M50x1.5	M50x1.5	335

3LS 80

DIMENSIONAL TABLE

Model	Dimensions [mm]																										Weight [kg]
	H	H1	H2	H3	H4	H5	W	N1	N2	M	M1	L	L1	L2	L3	L5	A1	A2	B	C	F1	G	D3	D5	V1	V2	
80-200/30	450	200	250	310	20	25	95	280	360	130	80	305	318	395	70	370	200	200	993	341	32.5	396	14	306			
80-200/37	450	200	250	310	20	25	95	280	360	130	80	305	318	395	70	370	200	200	993	341	32.5	396	14	325			
80-250/45	505	225	280	335	25	28	120	315	415	165	100	311	356	435	75	393	225	225	1051	385	41	435	18	401			

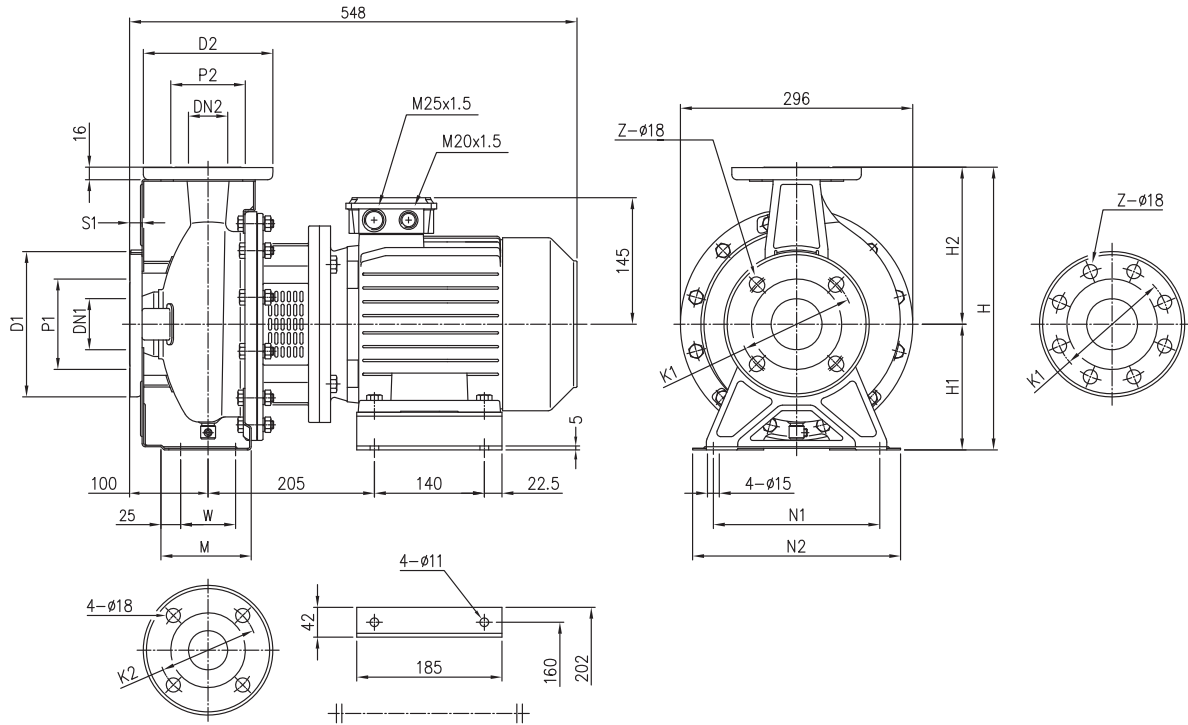
DIMENSION **2 Poles**
3LS 80-250/55


Weight
80-250/55: 489 kg

DIMENSION
4 Poles
3(.)S4 32, 40, 50, 65 up to 1.5

DIMENSIONAL TABLE

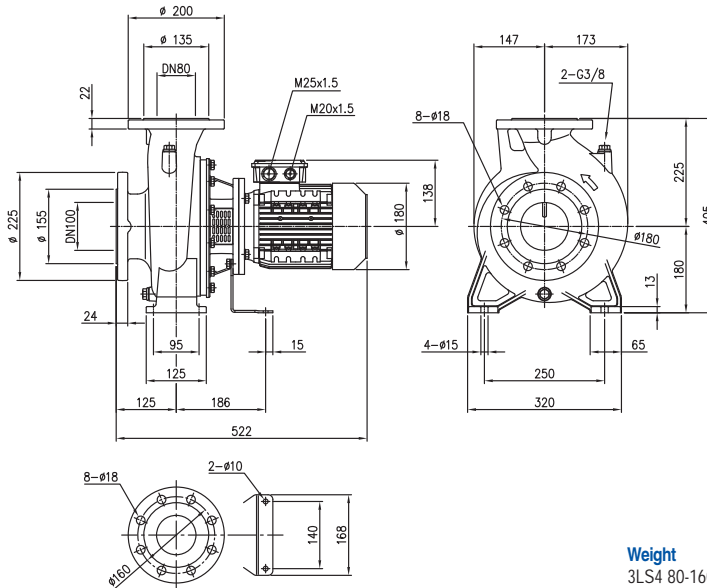
Model	Dimensions [mm]																						Weight [kg]								
	Ø DN1	Ø P1	Ø K1	Ø D1	S1	Z [1]	Z [2]	Ø DN2	Ø P2	Ø K2	Ø D2	S2	Fig.	H	H1	H2	H3	R	W	M	N1	N2		A	B	C	X	Y	K	V1	V2
32-125/0.25	50	95	125	165	16	4	-	32	75	100	140	14	1	252	112	140	112	80	70	114	140	190	213	403	153	112	140	8	M20x1.5	M16x1.5	15.5
32-160/0.37R	50	95	125	165	16	4	-	32	75	100	140	14	1	292	132	160	112	80	70	118	190	240	254	403	153	112	140	8	M20x1.5	M16x1.5	18.5
32-160/0.37	50	95	125	165	16	4	-	32	75	100	140	14	1	292	132	160	112	80	70	118	190	240	254	403	153	112	140	8	M20x1.5	M16x1.5	18.5
32-200/0.55R	50	95	125	165	16	4	-	32	75	100	140	14	1	340	160	180	129	80	70	119	190	240	296	430	174	140	168	10	M25x1.5	M20x1.5	28
32-200/0.55	50	95	125	165	16	4	-	32	75	100	140	14	1	340	160	180	129	80	70	119	190	240	296	430	174	140	168	10	M25x1.5	M20x1.5	28
32-200/0.75	50	95	125	165	16	4	-	32	75	100	140	14	1	340	160	180	129	80	70	119	190	240	296	430	174	140	168	10	M25x1.5	M20x1.5	29.5
40-125/0.37R	65	115	145	185	16	4	-	40	80	110	150	14	1	252	112	140	112	80	70	114	160	210	213	403	153	112	140	8	M20x1.5	M16x1.5	16
40-125/0.37	65	115	145	185	16	4	-	40	80	110	150	14	1	252	112	140	112	80	70	114	160	210	213	403	153	112	140	8	M20x1.5	M16x1.5	16
40-160/0.55R	65	115	145	185	16	4	-	40	80	110	150	14	1	292	132	160	129	80	70	118	190	240	254	430	174	140	168	10	M25x1.5	M20x1.5	23.5
40-160/0.55	65	115	145	185	16	4	-	40	80	110	150	14	1	292	132	160	129	80	70	118	190	240	254	430	174	140	168	10	M25x1.5	M20x1.5	23.5
40-200/1.1R	65	115	145	185	16	4	-	40	80	110	150	14	2	340	160	180	138	100	70	115	212	265	296	497	186	140	168	10	M25x1.5	M20x1.5	34.5
40-200/1.1	65	115	145	185	16	4	-	40	80	110	150	14	2	340	160	180	138	100	70	115	212	265	296	497	186	140	168	10	M25x1.5	M20x1.5	34.5
40-200/1.5	65	115	145	185	16	4	-	40	80	110	150	14	2	340	160	180	138	100	70	115	212	265	296	497	186	140	168	10	M25x1.5	M20x1.5	35.5
50-125/0.55R	65	115	145	185	16	4	-	50	95	125	165	16	2	292	132	160	129	100	70	114	190	240	254	450	174	140	168	10	M25x1.5	M20x1.5	23.5
50-125/0.55	65	115	145	185	16	4	-	50	95	125	165	16	2	292	132	160	129	100	70	114	190	240	254	450	174	140	168	10	M25x1.5	M20x1.5	23.5
50-160/1.1R	65	115	145	185	16	4	-	50	95	125	165	16	2	340	160	180	138	100	70	115	212	265	296	497	186	140	168	10	M25x1.5	M20x1.5	34
50-160/1.1	65	115	145	185	16	4	-	50	95	125	165	16	2	340	160	180	138	100	70	115	212	265	296	497	186	140	168	10	M25x1.5	M20x1.5	34
50-200/1.5R	65	115	145	185	16	4	-	50	95	125	165	16	2	360	160	200	138	100	70	115	212	265	296	497	186	140	168	10	M25x1.5	M20x1.5	37
50-200/1.5	65	115	145	185	16	4	-	50	95	125	165	16	2	360	160	200	138	100	70	115	212	265	296	497	186	140	168	10	M25x1.5	M20x1.5	37
65-125/0.55	80	134	160	200	18	8	4	65	115	145	185	16	2	340	160	180	129	100	95	140	212	280	254	450	174	140	168	10	M25x1.5	M20x1.5	21.5
65-125/0.75	80	134	160	200	18	8	4	65	115	145	185	16	2	340	160	180	129	100	95	140	212	280	254	497	186	140	168	10	M25x1.5	M20x1.5	23
65-125/1.1	80	134	160	200	18	8	4	65	115	145	185	16	2	340	160	180	138	100	95	140	212	280	254	497	186	140	168	10	M25x1.5	M20x1.5	32
65-160/1.1	80	134	160	200	18	8	4	65	115	145	185	16	2	360	160	200	138	100	95	140	212	280	296	497	186	140	168	10	M25x1.5	M20x1.5	36
65-160/1.5	80	134	160	200	18	8	4	65	115	145	185	16	2	360	160	200	138	100	95	140	212	280	296	497	186	140	168	10	M25x1.5	M20x1.5	37

[1] Standard
[2] On request

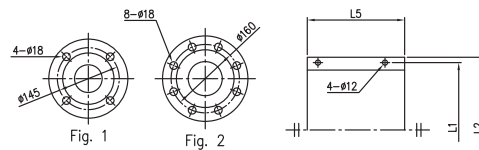
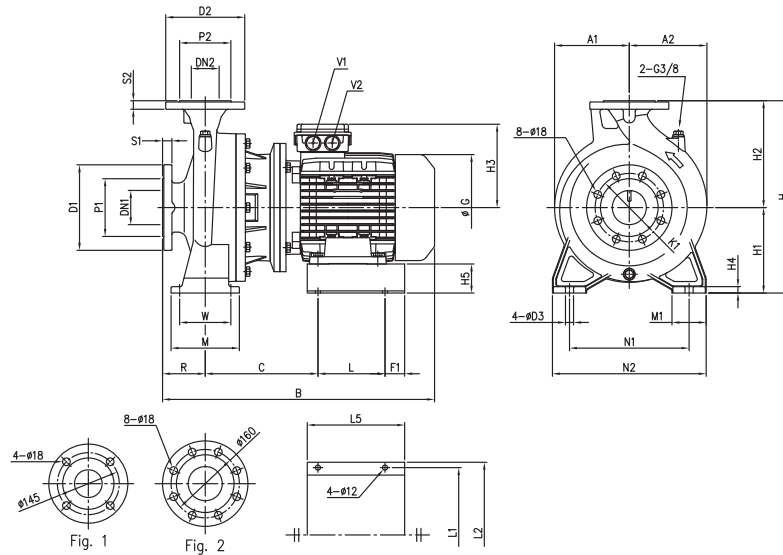
DIMENSION
4 Poles
3(.)S4 50, 65 2.2 - 3

DIMENSIONAL TABLE

Model	Dimensions [mm]																				Weight [kg]
	Ø DN1	Ø P1	Ø K1	Ø D1	S1	Z [1]	Z [2]	Ø DN2	Ø P2	Ø K2	Ø D2	H	H1	H2	W	M	N1	N2			
50-200/2.2	65	115	145	185	16	4	-	50	95	125	165	360	160	200	70	115	212	265	43		
65-160/2.2	80	134	160	200	18	8	4	65	115	145	185	360	160	200	95	140	212	280	46		
65-200/2.2R	80	134	160	200	18	8	4	65	115	145	185	405	180	225	95	140	250	320	42.5		
65-200/2.2	80	134	160	200	18	8	4	65	115	145	185	405	180	225	95	140	250	320	43		
65-200/3	80	134	160	200	18	8	4	65	115	145	185	405	180	225	95	140	250	320	48.5		

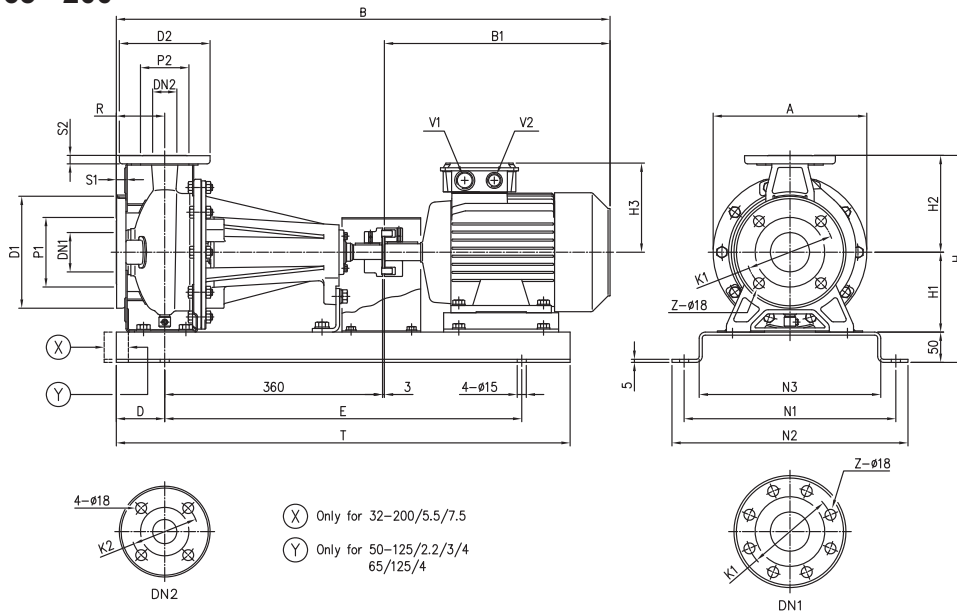
[1] Standard
[2] On request

DIMENSION
4 Poles
3LS4 80 - 160/1.5


Weight
3LS4 80-160/1.5: 60.5 kg

3LS4 from 2.2

DIMENSIONAL TABLE

Model	Dimensions [mm]																				Weight [kg]														
	DN1	P1	K1	D1	S1	DN2	P2	D2	S2	H	H1	H2	H3	H4	H5	R	W	N1	N2	M		M1	L	L1	L2	L5	A1	A2	B	C	F1	G	D3	V1	V2
65-250/4	80	135	160	200	22	65 Fig. 1	120	185	20	450	200	250	161	15	88	100	120	280	360	160	80	147	265	290	187	175	182	580	215	20	225	19	M25x1.5	M20x1.5	86
65-250/5.5	80	135	160	200	22	65 Fig. 1	120	185	20	450	200	250	195	15	68	100	120	280	360	160	80	157	315	340	228	175	182	637	264	46	248	19	M32x1.5	M32x1.5	99.5
80-160/2.2R	100	155	180	225	24	80 Fig. 2	135	200	22	405	180	225	145	13	80	125	95	250	320	125	65	140	250	275	190	147	173	573	205	25	196	15	M25x1.5	M20x1.5	69.7
80-160/2.2	100	155	180	225	24	80 Fig. 2	135	200	22	405	180	225	145	13	80	125	95	250	320	125	65	140	250	275	190	147	173	573	205	25	196	15	M25x1.5	M20x1.5	70
80-200/3	100	155	180	225	24	80 Fig. 2	135	200	22	430	180	250	145	13	80	125	95	280	345	125	65	140	250	275	190	175	182	583	215	25	196	15	M25x1.5	M20x1.5	81.5
80-200/4R	100	155	180	225	24	80 Fig. 2	135	200	22	430	180	250	161	13	68	125	95	280	345	125	65	157	315	340	228	175	182	605	198	46	225	15	M25x1.5	M20x1.5	89.5
80-200/4	100	155	180	225	24	80 Fig. 2	135	200	22	430	180	250	161	13	68	125	95	280	345	125	65	157	315	340	228	175	182	605	198	46	225	15	M25x1.5	M20x1.5	90
80-250/5.5R	100	155	180	225	24	80 Fig. 2	135	200	22	480	200	280	195	15	68	125	120	315	400	160	80	157	315	340	228	175	192	662	264	46	248	19	M32x1.5	M32x1.5	104
80-250/5.5	100	155	180	225	24	80 Fig. 2	135	200	22	480	200	280	195	15	68	125	120	315	400	160	80	157	315	340	228	175	192	662	264	46	248	19	M32x1.5	M32x1.5	104.5
80-250/7.5	100	155	180	225	24	80 Fig. 2	135	200	22	480	200	280	195	15	68	125	120	315	400	160	80	157	315	340	228	175	192	702	264	46	248	19	M32x1.5	M32x1.5	109.5

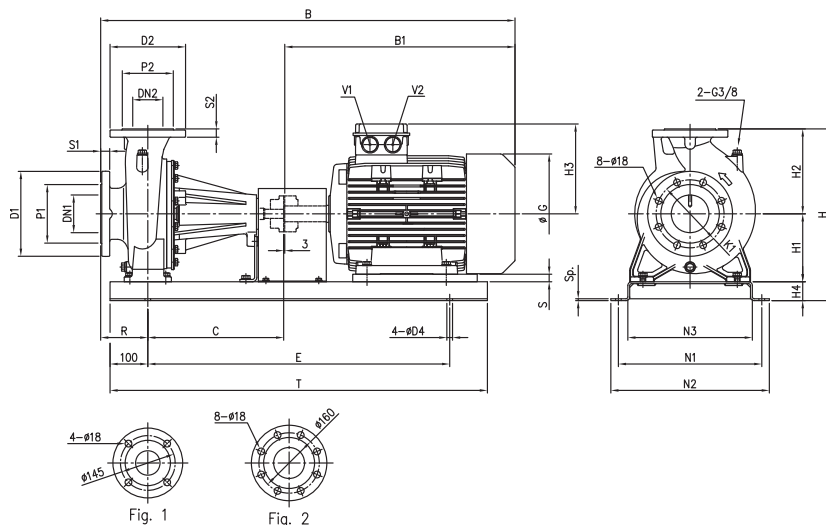
DIMENSION
2 Poles
3(.)P up to 65 - 200

DIMENSIONAL TABLE

Model	Dimensions [mm]																										Weight [kg]		
	ϕ DN1	ϕ P1	ϕ K1	ϕ D1	S1	Z [1] [2]	ϕ DN2	ϕ P2	ϕ K2	ϕ D2	S2	H	H1	H2	H3	R	A	B	B1	D	E	N1	N2	N3	T	V1		V2	
32-125/1.1	50	95	125	165	16	4	-	32	75	100	140	14	302	112	140	129	80	213	715	272	80	550	300	340	250	710	M25x1.5	M20x1.5	43.5
32-160/1.5	50	95	125	165	16	4	-	32	75	100	140	14	342	132	160	138	80	254	760	317	80	590	350	390	300	750	M25x1.5	M20x1.5	51
32-160/2.2	50	95	125	165	16	4	-	32	75	100	140	14	342	132	160	138	80	254	760	317	80	590	350	390	300	750	M25x1.5	M20x1.5	53.5
32-200/3	50	95	125	165	16	4	-	32	75	100	140	14	390	160	180	145	80	296	809	366	80	590	350	390	300	750	M25x1.5	M20x1.5	68
32-200/4	50	95	125	165	16	4	-	32	75	100	140	14	390	160	180	161	80	296	831	388	80	590	350	390	300	750	M25x1.5	M20x1.5	72
32-200/5.5	50	95	125	165	16	4	-	32	75	100	140	14	390	160	180	195	80	296	885	442	100	650	350	390	300	850	M32x1.5	M32x1.5	88
32-200/7.5	50	95	125	165	16	4	-	32	75	100	140	14	390	160	180	195	80	296	885	442	100	650	350	390	300	850	M32x1.5	M32x1.5	99.8
40-125/1.5	65	115	145	185	16	4	-	40	80	110	150	14	302	112	140	138	80	213	760	317	80	550	300	340	250	710	M25x1.5	M20x1.5	48.5
40-125/2.2	65	115	145	185	16	4	-	40	80	110	150	14	302	112	140	138	80	213	760	317	80	550	300	340	250	710	M25x1.5	M20x1.5	51
40-160/3	65	115	145	185	16	4	-	40	80	110	150	14	342	132	160	145	80	254	809	366	80	590	350	390	300	750	M25x1.5	M20x1.5	77.5
40-160/4	65	115	145	185	16	4	-	40	80	110	150	14	342	132	160	161	80	254	831	388	80	590	350	390	300	750	M25x1.5	M20x1.5	64.5
40-200/5.5	65	115	145	185	16	4	-	40	80	110	150	14	390	160	180	195	100	296	905	442	100	650	350	390	300	850	M32x1.5	M32x1.5	89
40-200/7.5	65	115	145	185	16	4	-	40	80	110	150	14	390	160	180	195	100	296	905	442	100	650	350	390	300	850	M32x1.5	M32x1.5	94.5
40-200/11	65	115	145	185	16	4	-	40	80	110	150	14	390	160	180	238	100	296	1073	610	100	800	380	420	330	1000	M40x1.5	M40x1.5	117
50-125/2.2	65	115	145	185	16	4	-	50	95	125	165	16	342	132	160	138	100	254	780	317	80	550	350	390	300	710	M25x1.5	M20x1.5	75
50-125/3	65	115	145	185	16	4	-	50	95	125	165	16	342	132	160	145	100	254	829	366	80	590	350	390	300	750	M25x1.5	M20x1.5	79
50-125/4	65	115	145	185	16	4	-	50	95	125	165	16	342	132	160	161	100	254	851	388	80	590	350	390	300	750	M25x1.5	M20x1.5	81.5
50-160/5.5	65	115	145	185	16	4	-	50	95	125	165	16	390	160	180	195	100	296	905	442	100	650	350	390	300	850	M32x1.5	M32x1.5	89
50-160/7.5	65	115	145	185	16	4	-	50	95	125	165	16	390	160	180	195	100	296	905	442	100	650	350	390	300	850	M32x1.5	M32x1.5	94.5
50-200/9.2	65	115	145	185	16	4	-	50	95	125	165	16	410	160	200	195	100	296	945	482	100	650	350	390	300	850	M32x1.5	M32x1.5	100
50-200/11	65	115	145	185	16	4	-	50	95	125	165	16	410	160	200	238	100	296	1073	610	100	800	380	420	330	1000	M40x1.5	M40x1.5	117.5
50-200/15	65	115	145	185	16	4	-	50	95	125	165	16	410	160	200	238	100	296	1073	610	100	800	380	420	330	1000	M40x1.5	M40x1.5	125.4
65-125/4	80	134	160	200	18	8	4	65	115	145	185	16	390	160	180	161	100	254	851	388	80	590	350	390	300	750	M25x1.5	M20x1.5	82
65-125/5.5	80	134	160	200	18	8	4	65	115	145	185	16	390	160	180	195	100	254	905	442	100	650	350	390	300	850	M32x1.5	M32x1.5	90
65-125/7.5	80	134	160	200	18	8	4	65	115	145	185	16	390	160	180	195	100	254	905	442	100	650	350	390	300	850	M32x1.5	M32x1.5	97
65-160/7.5	80	134	160	200	18	8	4	65	115	145	185	16	410	160	200	195	100	296	905	442	100	650	350	390	300	850	M32x1.5	M32x1.5	103
65-160/9.2	80	134	160	200	18	8	4	65	115	145	185	16	410	160	200	195	100	296	945	482	100	650	350	390	300	850	M32x1.5	M32x1.5	107
65-160/11	80	134	160	200	18	8	4	65	115	145	185	16	410	160	200	238	100	296	1073	610	100	800	380	420	330	1000	M40x1.5	M40x1.5	114
65-160/15	80	134	160	200	18	8	4	65	115	145	185	16	410	160	200	238	100	296	1073	610	100	800	380	420	330	1000	M40x1.5	M40x1.5	119
65-200/15	80	134	160	200	18	8	4	65	115	145	185	16	455	180	225	238	100	296	1073	610	100	800	380	420	330	1000	M40x1.5	M40x1.5	127
65-200/18.5	80	134	160	200	18	8	4	65	115	145	185	16	455	180	225	238	100	296	1117	654	100	800	380	420	330	1000	M40x1.5	M40x1.5	139
65-200/22	80	134	160	200	18	8	4	65	115	145	185	16	455	180	225	245	100	296	1153	690	100	800	410	450	360	1000	M40x1.5	M40x1.5	182

[1] Standard
[2] On request

DIMENSION 2 Poles

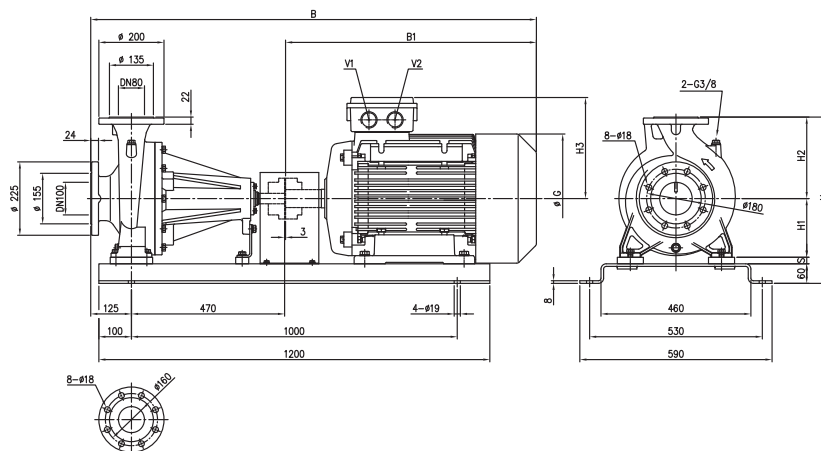
3LP 65 - 250, 80



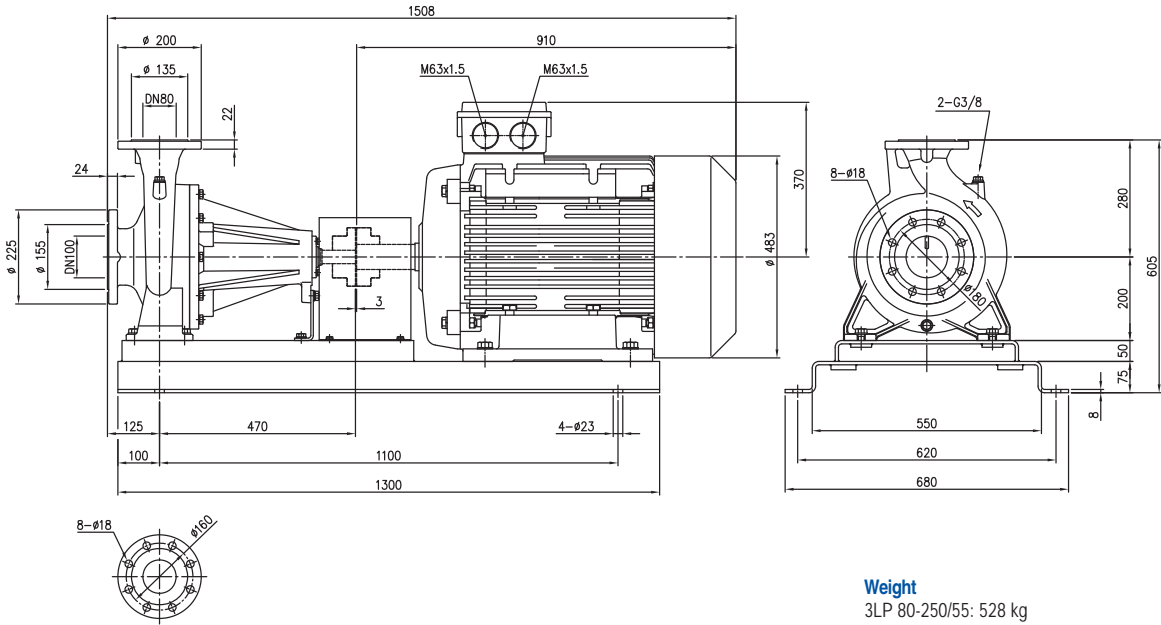
DIMENSIONAL TABLE

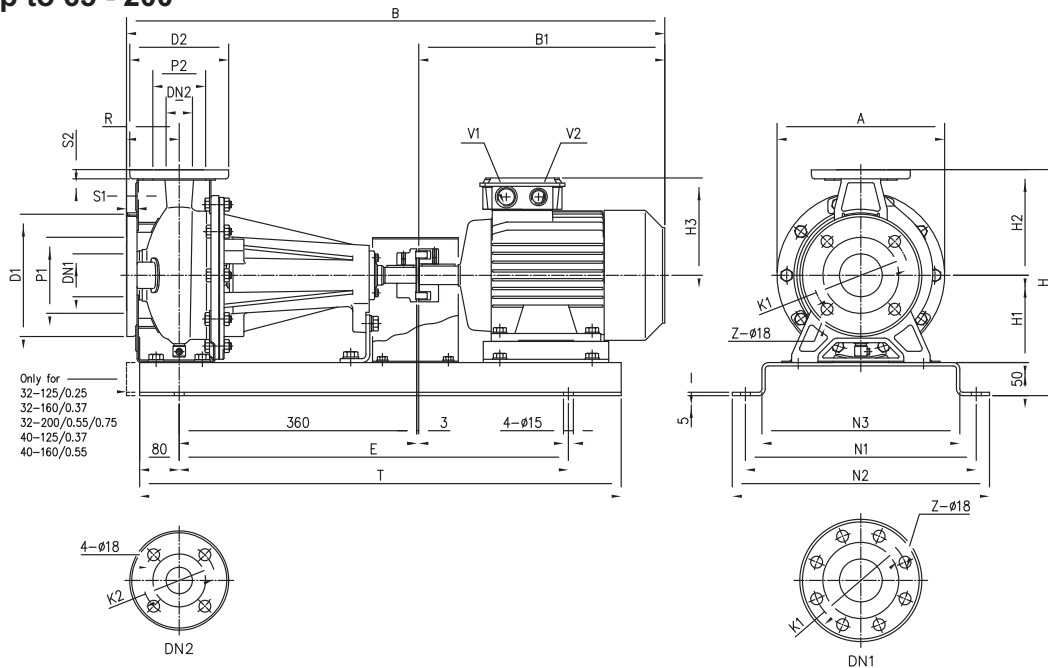
Model	Dimensions [mm]																				Weight [kg]									
	DN1	P1	k1	D1	S1	DN2	P2	D2	S2	H	H1	H2	H3	H4	R	N1	N2	N3	B	B1		C	G	E	T	S	D4	Sp.	V1	V2
65-250/30	80	135	160	200	22	65 Fig. 1	120	185	20	510	200	250	310	60	100	530	590	460	1343	770	470	396	1000	1200	-	19	8	M50x1.5	M50x1.5	354
65-250/37	80	135	160	200	22	65 Fig. 1	120	185	20	510	200	250	310	60	100	530	590	460	1343	770	470	396	1000	1200	-	19	8	M50x1.5	M50x1.5	373
80-160/11	100	155	180	225	24	80 Fig. 2	135	200	22	455	180	225	238	50	125	380	420	330	1098	610	360	317	800	1000	20	15	5	M40x1.5	M40x1.5	164
80-160/15R	100	155	180	225	24	80 Fig. 2	135	200	22	455	180	225	238	50	125	380	420	330	1098	610	360	317	800	1000	20	15	5	M40x1.5	M40x1.5	176
80-160/15	100	155	180	225	24	80 Fig. 2	135	200	22	455	180	225	238	50	125	380	420	330	1098	610	360	317	800	1000	20	15	5	M40x1.5	M40x1.5	176
80-160/18.5	100	155	180	225	24	80 Fig. 2	135	200	22	455	180	225	238	50	125	380	420	330	1142	654	360	317	800	1000	20	15	5	M40x1.5	M40x1.5	185
80-200/22	100	155	180	225	24	80 Fig. 2	135	200	22	490	180	250	245	60	125	530	590	460	1288	690	470	320	1000	1200	-	19	8	M40x1.5	M40x1.5	252
80-250/37	100	155	180	225	24	80 Fig. 2	135	200	22	540	200	280	310	60	125	530	590	460	1368	770	470	396	1000	1200	-	19	8	M50x1.5	M50x1.5	377

3LP 80 30 - 45



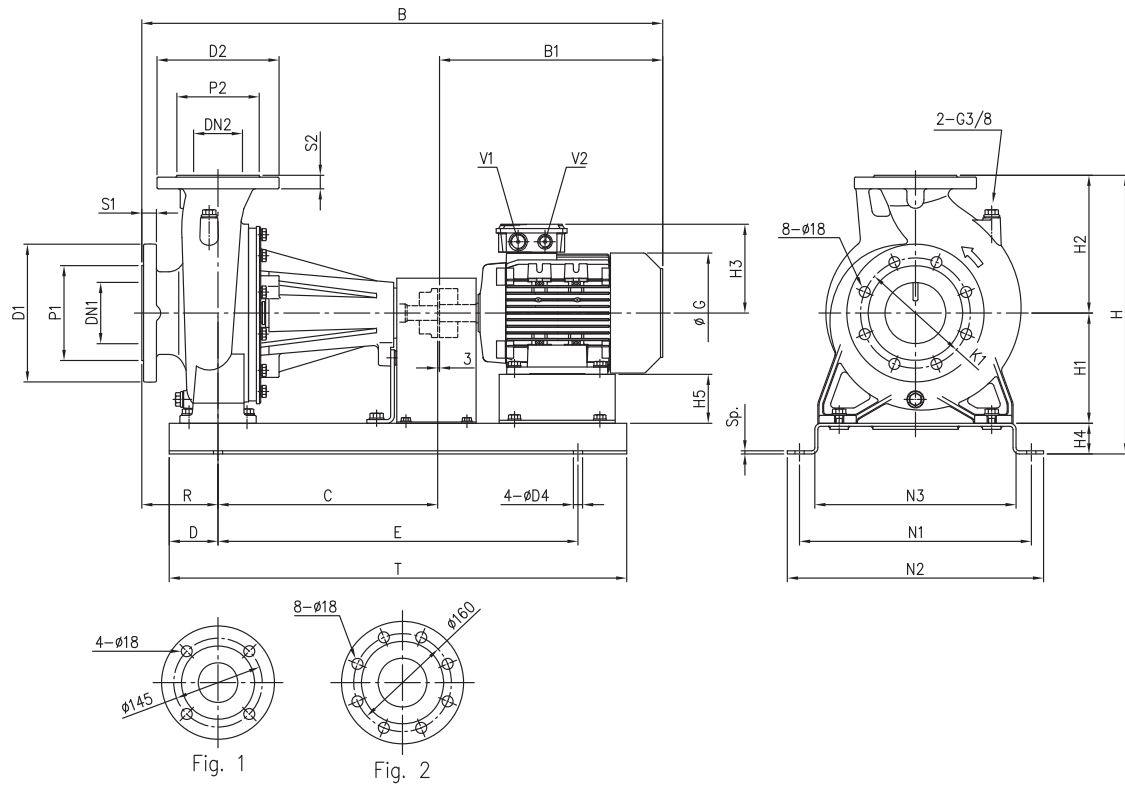
Model	Dimensions [mm]										Weight [kg]
	H	H1	H2	H3	B	B1	G	S	V1	V2	
80-200/30	510	180	250	310	1368	770	396	20	M50x1.5	M50x1.5	356
80-200/37	510	180	250	310	1368	770	396	20	M50x1.5	M50x1.5	365
80-250/45	565	200	280	335	1398	800	435	25	M50x1.5	M50x1.5	440

DIMENSION
2 Poles
3LP 80 - 250/55


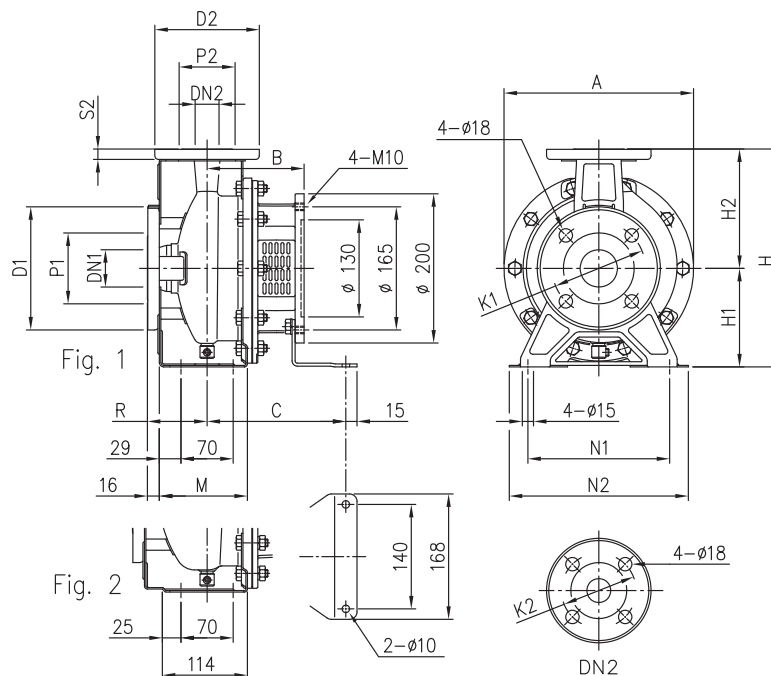
DIMENSION
4 Poles
3(.)P4 up to 65 - 200

DIMENSIONAL TABLE

Model	Dimensions [mm]																							Weight [kg]				
	Ø DN1	Ø P1	Ø K1	Ø D1	S1	Z [1]	Z [2]	Ø DN2	Ø P2	Ø K2	Ø D2	S2	H	H1	H2	H3	R	A	B	B1	E	N1	N2		N3	T	V1	V2
32-125/0.25	50	95	125	165	16	4	-	32	75	100	140	14	302	112	140	112	80	213	688	245	550	300	340	250	710	M20x1.5	M16x1.5	37
32-160/0.37R	50	95	125	165	16	4	-	32	75	100	140	14	342	132	160	112	80	254	688	245	510	350	390	300	670	M20x1.5	M16x1.5	41
32-160/0.37	50	95	125	165	16	4	-	32	75	100	140	14	342	132	160	112	80	254	688	245	510	350	390	300	670	M20x1.5	M16x1.5	41
32-200/0.55R	50	95	125	165	16	4	-	32	75	100	140	14	390	160	180	129	80	296	715	272	510	350	390	300	670	M25x1.5	M20x1.5	53.5
32-200/0.55	50	95	125	165	16	4	-	32	75	100	140	14	390	160	180	129	80	296	715	272	510	350	390	300	670	M25x1.5	M20x1.5	53.5
32-200/0.75	50	95	125	165	16	4	-	32	75	100	140	14	390	160	180	129	80	296	715	272	510	350	390	300	670	M25x1.5	M20x1.5	54.5
40-125/0.37R	65	115	145	185	16	4	-	40	80	110	150	14	302	112	140	112	80	213	688	245	550	300	340	250	710	M20x1.5	M16x1.5	46.5
40-125/0.37	65	115	145	185	16	4	-	40	80	110	150	14	302	112	140	112	80	213	688	245	550	300	340	250	710	M20x1.5	M16x1.5	46.5
40-160/0.55R	65	115	145	185	16	4	-	40	80	110	150	14	342	132	160	129	80	254	715	272	510	350	390	300	670	M25x1.5	M20x1.5	44.5
40-160/0.55	65	115	145	185	16	4	-	40	80	110	150	14	342	132	160	129	80	254	715	272	510	350	390	300	670	M25x1.5	M20x1.5	44.5
40-200/1.1R	65	115	145	185	16	4	-	40	80	110	150	14	390	160	180	138	100	296	780	317	590	350	390	300	750	M25x1.5	M20x1.5	61.5
40-200/1.1	65	115	145	185	16	4	-	40	80	110	150	14	390	160	180	138	100	296	780	317	590	350	390	300	750	M25x1.5	M20x1.5	61.5
40-200/1.5	65	115	145	185	16	4	-	40	80	110	150	14	390	160	180	138	100	296	780	317	590	350	390	300	750	M25x1.5	M20x1.5	64
50-125/0.55R	65	115	145	185	16	4	-	50	95	125	165	16	342	132	160	129	100	254	735	272	510	350	390	300	670	M25x1.5	M20x1.5	45
50-125/0.55	65	115	145	185	16	4	-	50	95	125	165	16	342	132	160	129	100	254	735	272	510	350	390	300	670	M25x1.5	M20x1.5	45
50-160/1.1R	65	115	145	185	16	4	-	50	95	125	165	16	390	160	180	138	100	296	780	317	590	350	390	300	750	M25x1.5	M20x1.5	52.5
50-160/1.1	65	115	145	185	16	4	-	50	95	125	165	16	390	160	180	138	100	296	780	317	590	350	390	300	750	M25x1.5	M20x1.5	52.5
50-200/1.5R	65	115	145	185	16	4	-	50	95	125	165	16	410	160	200	138	100	296	780	317	590	350	390	300	750	M25x1.5	M20x1.5	64
50-200/1.5	65	115	145	185	16	4	-	50	95	125	165	16	410	160	200	138	100	296	780	317	590	350	390	300	750	M25x1.5	M20x1.5	64
50-200/2.2	65	115	145	185	16	4	-	50	95	125	165	16	410	160	200	145	100	296	829	366	590	350	390	300	750	M25x1.5	M20x1.5	70
65-125/0.55	80	134	160	200	18	8	4	65	115	145	185	16	390	160	180	129	100	254	735	272	510	350	390	300	670	M25x1.5	M20x1.5	48.5
65-125/0.75	80	134	160	200	18	8	4	65	115	145	185	16	390	160	180	129	100	254	735	272	510	350	390	300	670	M25x1.5	M20x1.5	48.5
65-125/1.1	80	134	160	200	18	8	4	65	115	145	185	16	390	160	180	138	100	254	780	317	590	350	390	300	750	M25x1.5	M20x1.5	56
65-160/1.1	80	134	160	200	18	8	4	65	115	145	185	16	410	160	200	138	100	296	780	317	590	350	390	300	750	M25x1.5	M20x1.5	62.5
65-160/1.5	80	134	160	200	18	8	4	65	115	145	185	16	410	160	200	138	100	296	780	317	590	350	390	300	750	M25x1.5	M20x1.5	63.5
65-160/2.2	80	134	160	200	18	8	4	65	115	145	185	16	410	160	200	145	100	296	829	366	590	350	390	300	750	M25x1.5	M20x1.5	71.5
65-200/2.2R	80	134	160	200	18	8	4	65	115	145	185	16	455	180	225	145	100	296	829	366	590	380	420	330	750	M25x1.5	M20x1.5	74
65-200/2.2	80	134	160	200	18	8	4	65	115	145	185	16	455	180	225	145	100	296	829	366	590	380	420	330	750	M25x1.5	M20x1.5	74
65-200/3	80	134	160	200	18	8	4	65	115	145	185	16	455	180	225	145	100	296	829	366	590	380	420	330	750	M25x1.5	M20x1.5	77.5

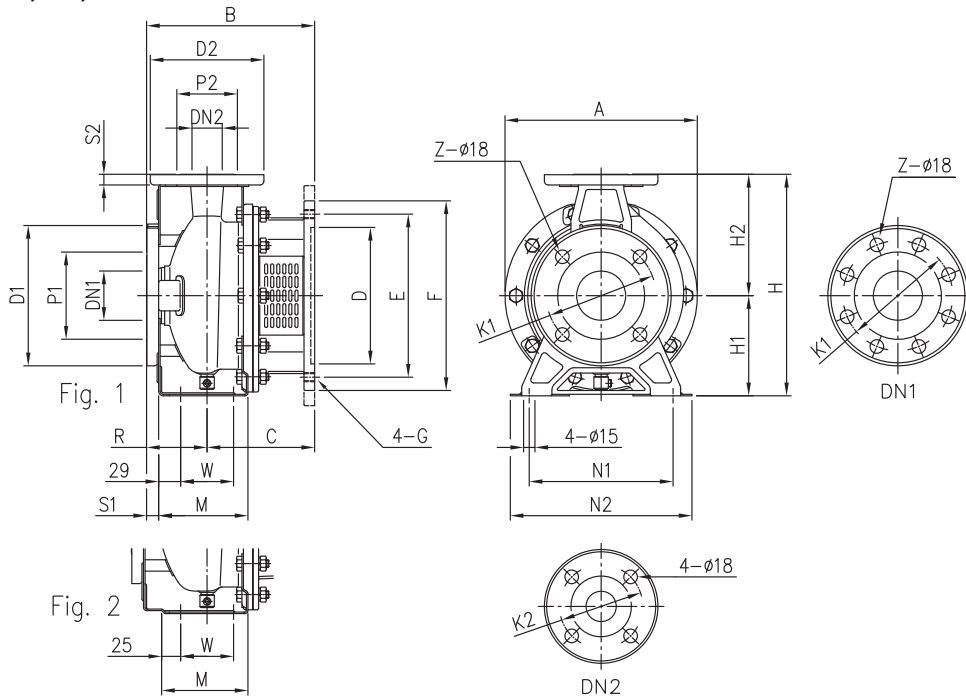
[1] Standard
 [2] On request

DIMENSION
4 Poles
3LP4 65 - 250, 80

DIMENSIONAL TABLE

Model	Dimensions [mm]																				Weight [kg]									
	DN1	P1	D1	S1	DN2	P2	D2	S2	H	H1	H2	H3	H4	H5	R	N1	N2	N3	B	B1		C	D	G	E	T	D4	Sp.	V1	V2
65-250/4	80	135	200	22	65	120	185	20	510	200	250	161	60	88	100	510	570	440	961	388	470	100	225	760	960	19	8	M25x1.5	M20x1.5	113.5
65-250/5.5	80	135	200	22	65	120	185	20	510	200	250	195	60	68	100	510	570	440	1015	442	470	100	248	760	960	19	8	M32x1.5	M32x1.5	130
80-160/1.5	100	155	225	24	80	135	200	22	455	180	225	138	50	90	125	380	420	330	805	317	360	80	180	590	750	15	5	M25x1.5	M20x1.5	80
80-160/2.2R	100	155	225	24	80	135	200	22	455	180	225	145	50	80	125	380	420	330	854	366	360	80	196	590	750	15	5	M25x1.5	M20x1.5	86
80-160/2.2	100	155	225	24	80	135	200	22	455	180	225	145	50	80	125	380	420	330	854	366	360	80	196	590	750	15	5	M25x1.5	M20x1.5	100.5
80-200/3	100	155	225	24	80	135	200	22	490	180	250	145	60	80	125	460	520	390	964	366	470	100	196	700	900	19	8	M25x1.5	M20x1.5	109.5
80-200/4R	100	155	225	24	80	135	200	22	490	180	250	161	60	68	125	460	520	390	986	388	470	100	225	700	900	19	8	M25x1.5	M20x1.5	116.5
80-200/4	100	155	225	24	80	135	200	22	490	180	250	161	60	68	125	460	520	390	986	388	470	100	225	700	900	19	8	M25x1.5	M20x1.5	117
80-250/5.5R	100	155	225	24	80	135	200	22	540	200	280	195	60	68	125	510	570	440	1040	442	470	100	248	760	960	19	8	M32x1.5	M32x1.5	134
80-250/5.5	100	155	225	24	80	135	200	22	540	200	280	195	60	68	125	510	570	440	1040	442	470	100	248	760	960	19	8	M32x1.5	M32x1.5	134.5
80-250/7.5	100	155	225	24	80	135	200	22	540	200	280	195	60	68	125	510	570	440	1080	482	470	100	248	760	960	19	8	M32x1.5	M32x1.5	143.5

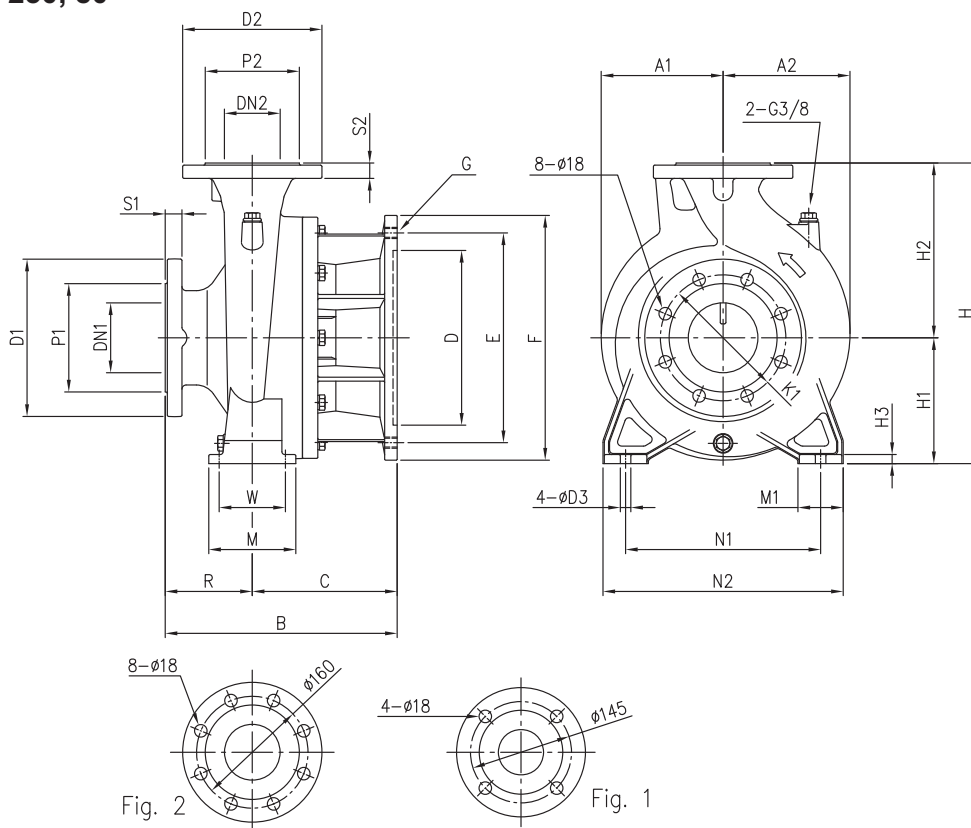
DIMENSION
2 Poles
3(.)SF 32, 40, 50

DIMENSIONAL TABLE

Model	Fig.	Dimensions [mm]																			Weight [kg]
		DN1	P1	K1	D1	DN2	P2	K2	D2	S2	H	H1	H2	M	N1	N2	R	A	B	C	
32-125/1.1	1	50	95	125	165	32	75	100	140	14	252	112	140	114	140	190	80	213	118	174	13.1
32-160/1.5	1	50	95	125	165	32	75	100	140	14	292	132	160	118	190	240	80	254	130	186	17
32-160/2.2	1	50	95	125	165	32	75	100	140	14	292	132	160	118	190	240	80	254	130	186	17
40-125/1.5	1	65	115	145	185	40	80	110	150	14	252	112	140	114	160	210	80	213	130	186	14.4
40-125/2.2	1	65	115	145	185	40	80	110	150	14	252	112	140	114	160	210	80	213	130	186	14.5
50-125/2.2	2	65	115	145	185	50	95	125	165	16	292	132	160	-	190	240	100	254	130	186	20

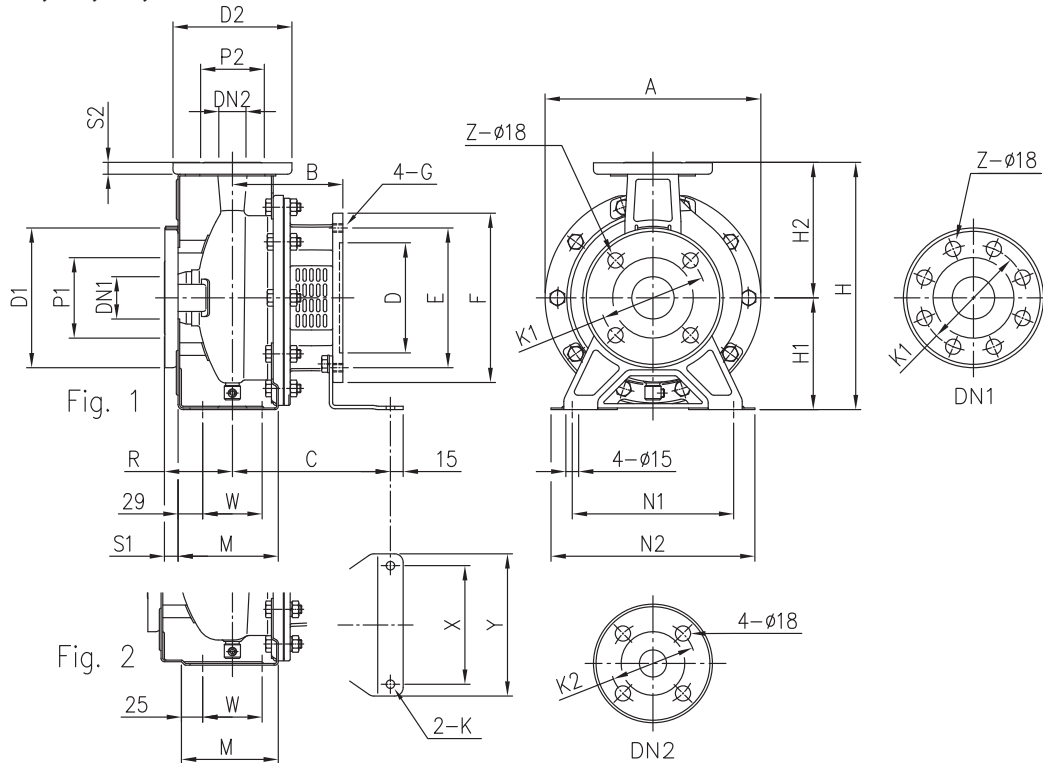
DIMENSION
2 Poles
3(.)SF 32, 40, 50, 65

DIMENSIONAL TABLE

Model	Fig.	Dimensions [mm]																				Weight [kg]							
		DN1	P1	K1	D1	S1	Z [1]	Z [2]	DN2	P2	K2	D2	S2	H	H1	H2	M	N1	N2	R	W		A	B	C	D	E	F	G
32-200/3	1	50	95	125	165	16	4	-	32	75	100	140	14	340	160	180	119	190	240	80	70	296	222	142	180	215	250	M12	24
32-200/4	1	50	95	125	165	16	4	-	32	75	100	140	14	340	160	180	119	190	240	80	70	296	222	142	180	215	250	M12	24
32-200/5.5	1	50	95	125	165	16	4	-	32	75	100	140	14	340	160	180	119	190	240	80	70	296	245	165	230	265	300	M12	28
32-200/7.5	1	50	95	125	165	16	4	-	32	75	100	140	14	340	160	180	119	190	240	80	70	296	245	165	230	265	300	M12	28
40-160/3	1	65	115	145	185	16	4	-	40	80	110	150	14	292	132	160	118	190	240	80	70	254	222	142	180	215	250	M12	19.5
40-160/4	1	65	115	145	185	16	4	-	40	80	110	150	14	292	132	160	118	190	240	80	70	254	222	142	180	215	250	M12	20
40-200/5.5	2	65	115	145	185	16	4	-	40	80	110	150	14	340	160	180	115	212	265	100	70	296	265	165	230	265	300	M12	28
40-200/7.5	2	65	115	145	185	16	4	-	40	80	110	150	14	340	160	180	115	212	265	100	70	296	265	165	230	265	300	M12	28
40-200/11	2	65	115	145	185	16	4	-	40	80	110	150	14	340	160	180	115	212	265	100	70	296	298	198	250	300	350	M16	41.5
50-125/3	2	65	115	145	185	16	4	-	50	95	125	165	16	292	132	160	114	190	240	100	70	254	242	142	180	215	250	M12	20
50-125/4	2	65	115	145	185	16	4	-	50	95	125	165	16	292	132	160	114	190	240	100	70	254	242	142	180	215	250	M12	20
50-160/5.5	2	65	115	145	185	16	4	-	50	95	125	165	16	340	160	180	115	212	265	100	70	296	265	165	230	265	300	M12	28.5
50-160/7.5	2	65	115	145	185	16	4	-	50	95	125	165	16	340	160	180	115	212	265	100	70	296	265	165	230	265	300	M12	28.5
50-200/9.2	2	65	115	145	185	16	4	-	50	95	125	165	16	360	160	200	115	212	265	100	70	296	265	165	230	265	300	M12	29
50-200/11	2	65	115	145	185	16	4	-	50	95	125	165	16	360	160	200	115	212	265	100	70	296	298	198	250	300	350	M16	41.5
50-200/15	2	65	115	145	185	16	4	-	50	95	125	165	16	360	160	200	115	212	265	100	70	296	298	198	250	300	350	M16	42.5
65-125/4	2	80	134	160	200	18	8	4	65	115	145	185	16	340	160	180	140	212	280	100	95	254	242	142	180	215	250	M12	26
65-125/5.5	2	80	134	160	200	18	8	4	65	115	145	185	16	340	160	180	140	212	280	100	95	254	265	165	230	265	300	M12	27.5
65-125/7.5	2	80	134	160	200	18	8	4	65	115	145	185	16	340	160	180	140	212	280	100	95	254	265	165	230	265	300	M12	28.5
65-160/7.5	2	80	134	160	200	18	8	4	65	115	145	185	16	360	160	200	140	212	280	100	95	296	265	165	230	265	300	M12	27
65-160/9.2	2	80	134	160	200	18	8	4	65	115	145	185	16	360	160	200	140	212	280	100	95	296	265	165	230	265	300	M12	30
65-160/11	2	80	134	160	200	18	8	4	65	115	145	185	16	360	160	200	140	212	280	100	95	296	298	198	250	300	350	M16	40
65-160/15	2	80	134	160	200	18	8	4	65	115	145	185	16	360	160	200	140	212	280	100	95	296	308	208	250	300	350	M16	42
65-200/15	2	80	134	160	200	18	8	4	65	115	145	185	16	405	180	225	140	250	320	100	95	296	308	208	250	300	350	M16	29.5
65-200/18.5	2	80	134	160	200	18	8	4	65	115	145	185	16	405	180	225	140	250	320	100	95	296	308	208	250	300	350	M16	29.5
65-200/22	2	80	134	160	200	18	8	4	65	115	145	185	16	405	180	225	140	250	320	100	95	296	308	208	250	300	350	M16	30

[1] Standard
[2] On request

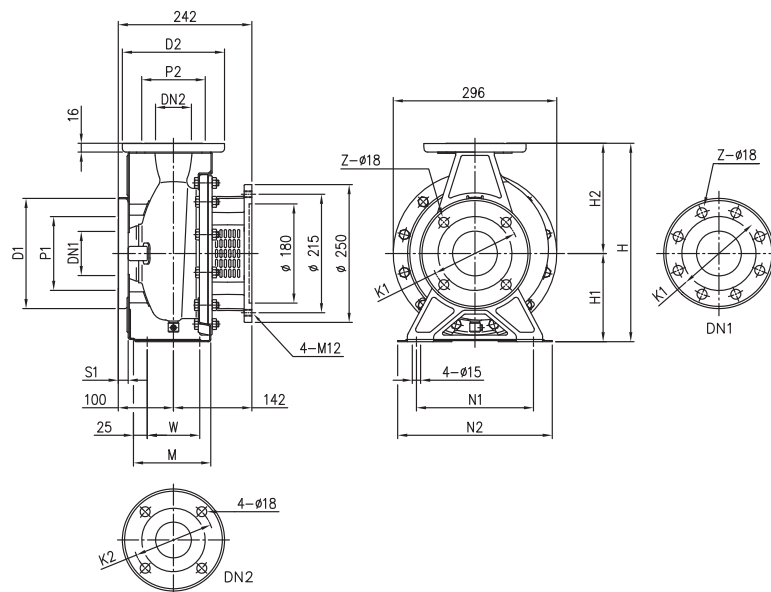
DIMENSION
2 Poles
3(.)SF 65 - 250, 80

DIMENSIONAL TABLE

Model	Dimensions [mm]																											Weight [kg]	
	DN1	P1	K1	D1	S1	DN2	P2	D2	S2	H	H1	H2	H3	R	W	N1	N2	M	M1	D3	B	C	D	E	F	G	A1		A2
65-250/30	80	135	160	200	22	65 Fig. 1	120	185	20	450	200	250	15	100	120	280	360	160	80	19	308	208	300	350	400	4 - M16	200	200	70
65-250/37	80	135	160	200	22	65 Fig. 1	120	185	20	450	200	250	15	100	120	280	360	160	80	19	308	208	300	350	400	4 - M16	200	200	71
80-160/11	100	155	180	225	24	80 Fig. 2	135	200	22	405	180	225	13	125	95	250	320	125	65	15	333	208	250	300	350	4 - M16	175	175	52
80-160/15R	100	155	180	225	24	80 Fig. 2	135	200	22	405	180	225	13	125	95	250	320	125	65	15	333	208	250	300	350	4 - M16	175	175	52
80-160/15	100	155	180	225	24	80 Fig. 2	135	200	22	405	180	225	13	125	95	250	320	125	65	15	333	208	250	300	350	4 - M16	175	175	52
80-160/18.5	100	155	180	225	24	80 Fig. 2	135	200	22	405	180	225	13	125	95	250	320	125	65	15	333	208	250	300	350	4 - M16	175	175	53
80-200/22	100	155	180	225	24	80 Fig. 2	135	200	22	430	180	250	13	125	95	280	345	125	65	15	333	208	250	300	350	4 - M16	175	182	68
80-200/30	100	155	180	225	24	80 Fig. 2	135	200	22	430	180	250	13	125	95	280	345	125	65	15	333	208	300	350	400	4 - M16	200	200	72
80-200/37	100	155	180	225	24	80 Fig. 2	135	200	22	430	180	250	13	125	95	280	345	125	65	15	333	208	300	350	400	4 - M16	200	200	73
80-250/37	100	155	180	225	24	80 Fig. 2	135	200	22	480	200	280	15	125	120	315	400	160	80	19	361	236	300	350	400	4 - M16	200	200	83
80-250/45	100	155	180	225	24	80 Fig. 2	135	200	22	480	200	280	15	125	120	315	400	160	80	19	361	236	350	400	450	8 - M16	225	225	88
80-250/55	100	155	180	225	24	80 Fig. 2	135	200	22	480	200	280	15	125	120	315	400	160	80	19	373	248	450	550	8 - M16	275	275	100	

DIMENSION
4 Poles
3(.)SF4 32, 40, 50, 65

DIMENSIONAL TABLE

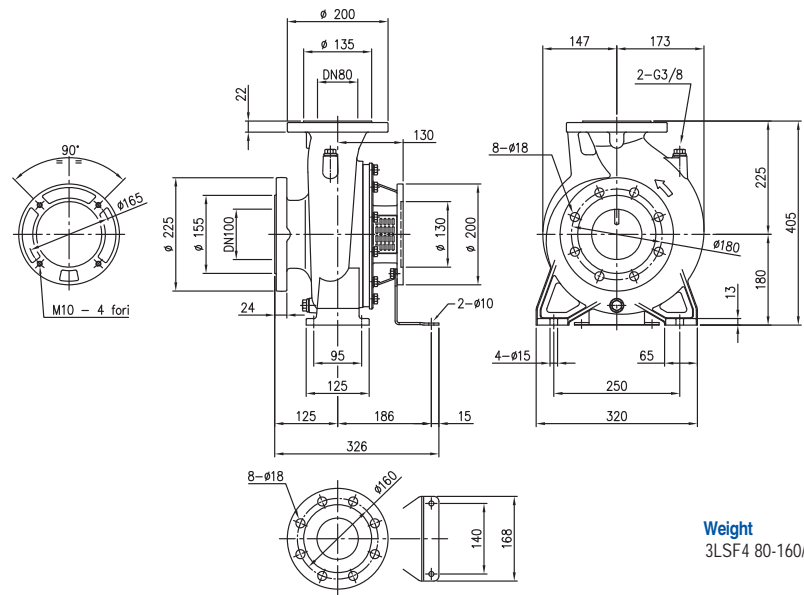
Model	Fig.	Dimensions [mm]																											Weight [kg]			
		DN1	P1	K1	D1	S1	Z [1]	Z [2]	DN2	P2	K2	D2	S2	H	H1	H2	M	N1	N2	R	W	A	B	C	D	E	F	G		X	Y	K
32-125/0.25	1	50	95	125	165	16	4	-	32	75	100	140	14	252	112	140	114	140	190	80	70	213	108	153	110	130	160	M8	112	140	8	15
32-160/0.37R	1	50	95	125	165	16	4	-	32	75	100	140	14	292	132	160	118	190	240	80	70	254	108	153	110	130	160	M8	112	140	8	19.5
32-160/0.37	1	50	95	125	165	16	4	-	32	75	100	140	14	292	132	160	118	190	240	80	70	254	108	153	110	130	160	M8	112	140	8	19.5
32-200/0.55R	1	50	95	125	165	16	4	-	32	75	100	140	14	340	160	180	119	190	240	80	70	296	118	174	130	165	200	M10	140	168	10	24
32-200/0.55	1	50	95	125	165	16	4	-	32	75	100	140	14	340	160	180	119	190	240	80	70	296	118	174	130	165	200	M10	140	168	10	24
32-200/0.75	1	50	95	125	165	16	4	-	32	75	100	140	14	340	160	180	119	190	240	80	70	296	118	174	130	165	200	M10	140	168	10	24
40-125/0.37R	1	65	115	145	185	16	4	-	40	80	110	150	14	252	112	140	114	160	210	80	70	213	108	153	110	130	160	M8	112	140	8	16.5
40-125/0.37	1	65	115	145	185	16	4	-	40	80	110	150	14	252	112	140	114	160	210	80	70	213	108	153	110	130	160	M8	112	140	8	16.5
40-160/0.55R	1	65	115	145	185	16	4	-	40	80	110	150	14	292	132	160	118	190	240	80	70	254	118	174	130	165	200	M10	140	168	10	20
40-160/0.55	1	65	115	145	185	16	4	-	40	80	110	150	14	292	132	160	118	190	240	80	70	254	118	174	130	165	200	M10	140	168	10	20
40-200/1.1R	2	65	115	145	185	16	4	-	40	80	110	150	14	340	160	180	115	212	265	100	70	296	130	186	130	165	200	M10	140	168	10	27
40-200/1.1	2	65	115	145	185	16	4	-	40	80	110	150	14	340	160	180	115	212	265	100	70	296	130	186	130	165	200	M10	140	168	10	27
40-200/1.5	2	65	115	145	185	16	4	-	40	80	110	150	14	340	160	180	115	212	265	100	70	296	130	186	130	165	200	M10	140	168	10	27
50-125/0.55R	2	65	115	145	185	16	4	-	50	95	125	165	16	292	132	160	114	190	240	100	70	254	118	174	130	165	200	M10	140	168	10	21
50-125/0.55	2	65	115	145	185	16	4	-	50	95	125	165	16	292	132	160	114	190	240	100	70	254	118	174	130	165	200	M10	140	168	10	21
50-160/1.1R	2	65	115	145	185	16	4	-	50	95	125	165	16	340	160	180	115	212	265	100	70	296	130	186	130	165	200	M10	140	168	10	26
50-160/1.1	2	65	115	145	185	16	4	-	50	95	125	165	16	340	160	180	115	212	265	100	70	296	130	186	130	165	200	M10	140	168	10	26
50-200/1.5R	2	65	115	145	185	16	4	-	50	95	125	165	16	360	160	200	115	212	265	100	70	296	130	186	130	165	200	M10	140	168	10	29.5
50-200/1.5	2	65	115	145	185	16	4	-	50	95	125	165	16	360	160	200	115	212	265	100	70	296	130	186	130	165	200	M10	140	168	10	29.5
65-125/0.55	2	80	134	160	200	18	8	4	65	115	145	185	16	340	160	180	140	212	280	100	95	254	118	174	130	165	200	M10	140	168	10	26
65-125/0.75	2	80	134	160	200	18	8	4	65	115	145	185	16	340	160	180	140	212	280	100	95	254	118	174	130	165	200	M10	140	168	10	27.5
65-125/1.1	2	80	134	160	200	18	8	4	65	115	145	185	16	340	160	180	140	212	280	100	95	254	130	186	130	165	200	M10	140	168	10	28.5
65-160/1.1	2	80	134	160	200	18	8	4	65	115	145	185	16	360	160	200	140	212	280	100	95	296	130	186	130	165	200	M10	140	168	10	29.5
65-160/1.5	2	80	134	160	200	18	8	4	65	115	145	185	16	360	160	200	140	212	280	100	95	296	130	186	130	165	200	M10	140	168	10	30

[1] Standard
[2] On request

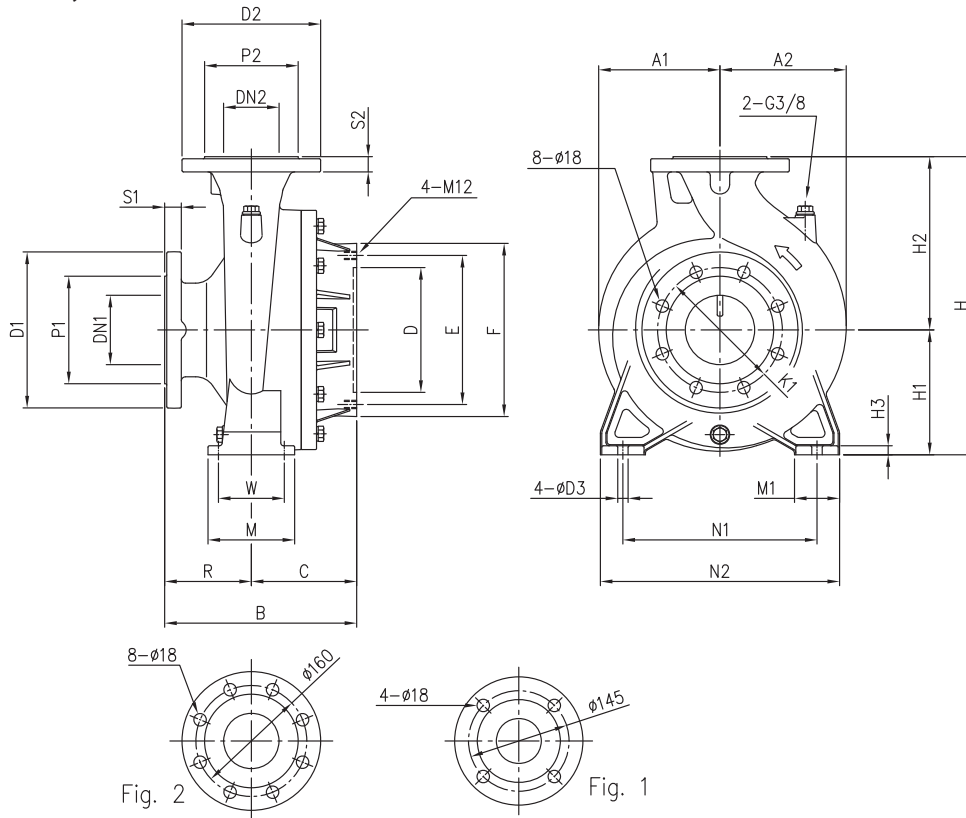
DIMENSION **4 Poles**
3(.)SF4 50, 65

DIMENSIONAL TABLE

Model	Dimensions [mm]																			Weight [kg]
	DN1	P1	K1	D1	S1	[1]	[2]	DN2	P2	K2	D2	H	H1	H2	M	N1	N2	W		
50-200/2.2	65	115	145	185	16	4	-	50	95	125	165	360	160	200	115	212	265	70	29.5	
65-160/2.2	80	134	160	200	18	8	4	65	115	145	185	360	160	200	140	212	280	95	30	
65-200/2.2R	80	134	160	200	18	8	4	65	115	145	185	405	180	225	140	250	320	95	29.5	
65-200/2.2	80	134	160	200	18	8	4	65	115	145	185	405	180	225	140	250	320	95	29.5	
65-200/3	80	134	160	200	18	8	4	65	115	145	185	405	180	225	140	250	320	95	30	

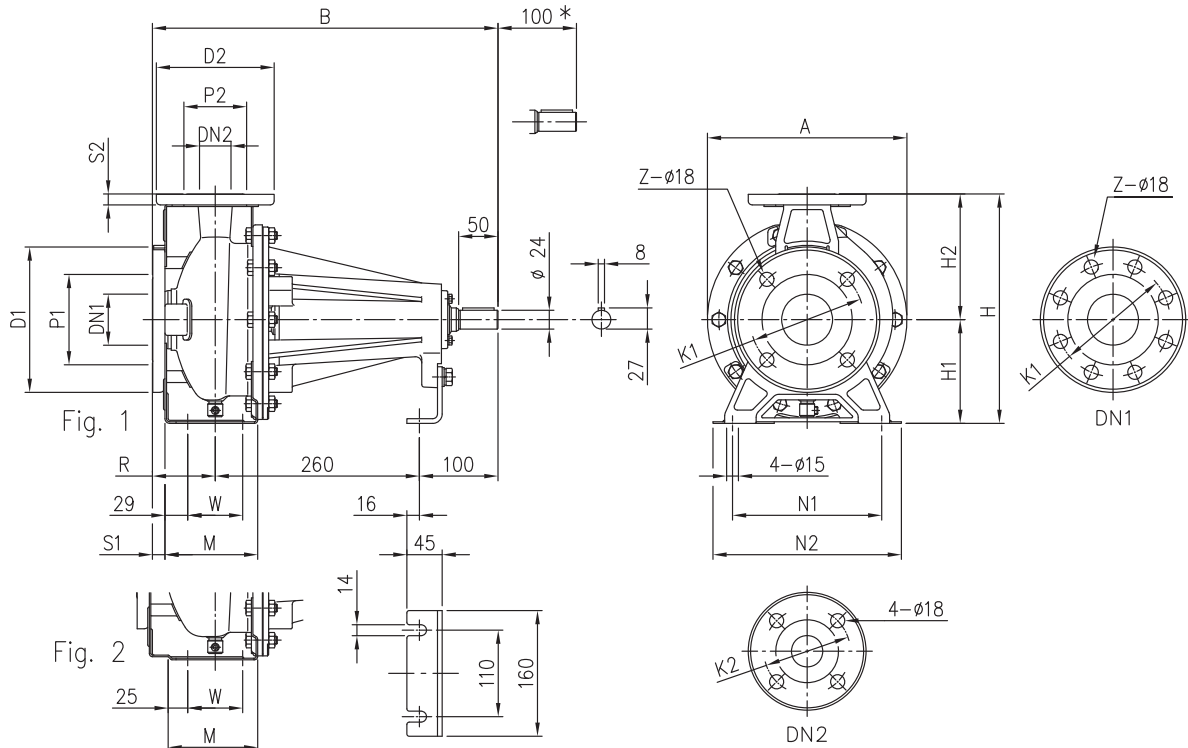
[1] Standard
[2] On request

3LSF4 80


Weight
3LSF4 80-160/1.5: 50,2 kg

DIMENSION
4 Poles
3LSF4 65 - 250, 80

DIMENSIONAL TABLE

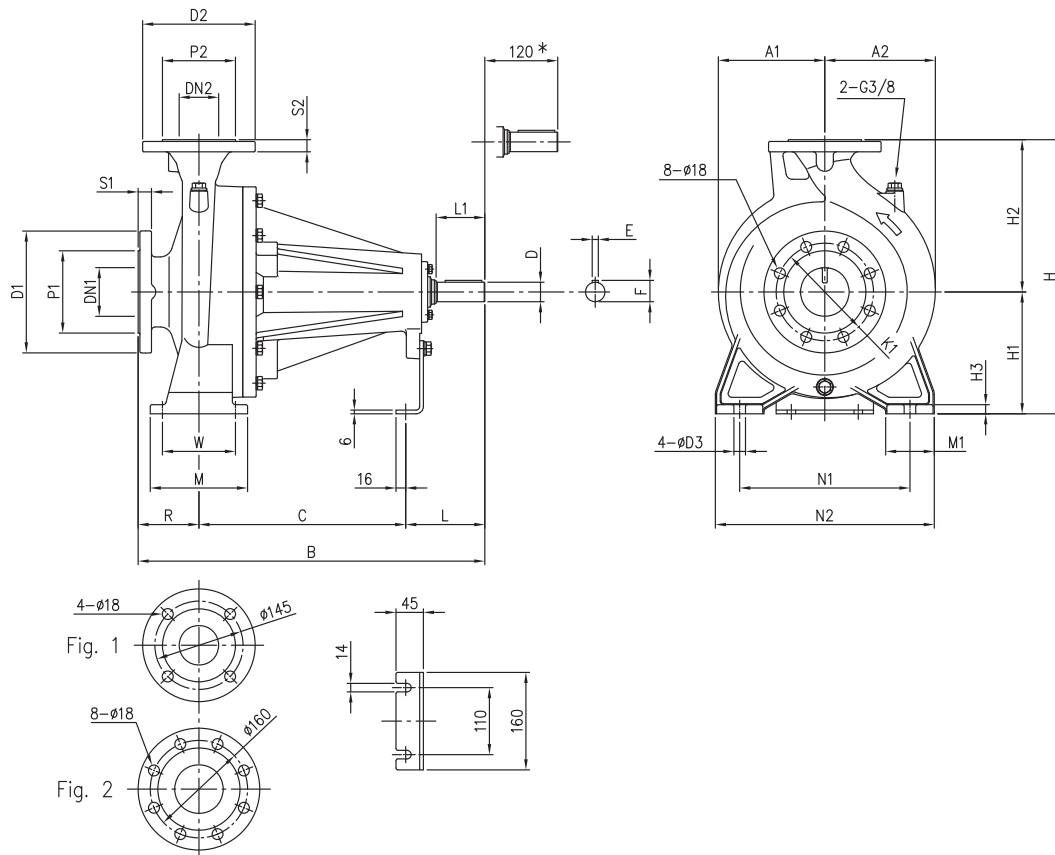
Model	Dimensions [mm]																				Weight [kg]							
	DN1	P1	K1	D1	S1	DN2	P2	D2	S2	H	H1	H2	H3	R	W	N1	N2	M	M1	D3		B	C	D	E	F	A1	A2
65-250/4	80	135	160	200	22	65 Fig. 1	120	185	20	450	200	250	15	100	120	280	360	160	80	19	252	152	180	215	250	175	182	56.5
65-250/5.5	80	135	160	200	22	65 Fig. 1	120	185	20	450	200	250	15	100	120	280	360	160	80	19	252	152	230	265	300	175	182	53.5
80-160/2.2R	100	155	180	225	24	80 Fig. 2	135	200	22	405	180	225	13	125	95	250	320	125	65	15	267	142	180	215	250	147	173	50.5
80-160/2.2	100	155	180	225	24	80 Fig. 2	135	200	22	405	180	225	13	125	95	250	320	125	65	15	267	142	180	215	250	147	173	50.5
80-200/3	100	155	180	225	24	80 Fig. 2	135	200	22	430	180	250	13	125	95	280	345	125	65	15	277	152	180	215	250	175	182	59
80-200/4	100	155	180	225	24	80 Fig. 2	135	200	22	430	180	250	13	125	95	280	345	125	65	15	277	152	180	215	250	175	182	60.5
80-200/4R	100	155	180	225	24	80 Fig. 2	135	200	22	430	180	250	13	125	95	280	345	125	65	15	277	152	180	215	250	175	182	60.5
80-250/5.5	100	155	180	225	24	80 Fig. 2	135	200	22	480	200	280	15	125	120	315	400	160	80	19	300	175	230	265	300	175	192	58
80-250/5.5R	100	155	180	225	24	80 Fig. 2	135	200	22	480	200	280	15	125	120	315	400	160	80	19	300	175	230	265	300	175	192	58
80-250/7.5	100	155	180	225	24	80 Fig. 2	135	200	22	480	200	280	15	125	120	315	400	160	80	19	300	175	230	265	300	175	192	59

DIMENSION
2 Poles
3(.)PF 32, 40, 50, 65

DIMENSIONAL TABLE

Model	Fig.	Dimensions [mm]																				Weight [kg]		
		DN1	P1	K1	D1	S1	Z	[1]	[2]	DN2	P2	K2	D2	S2	H	H1	H2	M	N1	N2	R		W	A
32-125	1	50	95	125	165	16	4	-	32	75	100	140	14	252	112	140	114	140	190	80	70	213	440	17
32-160	1	50	95	125	165	16	4	-	32	75	100	140	14	292	132	160	118	190	240	80	70	254	440	19
32-200	1	50	95	125	165	16	4	-	32	75	100	140	14	340	160	180	119	190	240	80	70	296	440	27
40-125	1	65	115	145	185	16	4	-	40	80	110	150	14	252	112	140	114	160	210	80	70	213	440	17
40-160	1	65	115	145	185	16	4	-	40	80	110	150	14	292	132	160	118	190	240	80	70	254	440	19
40-200	2	65	115	145	185	16	4	-	40	80	110	150	14	340	160	180	115	212	265	100	70	296	460	27
50-125	2	65	115	145	185	16	4	-	50	95	125	165	16	292	132	160	114	190	240	100	70	254	460	19
50-160	2	65	115	145	185	16	4	-	50	95	125	165	16	340	160	180	115	212	265	100	70	296	460	28
50-200	2	65	115	145	185	16	4	-	50	95	125	165	16	360	160	200	115	212	265	100	70	296	460	27
65-125	2	80	134	160	200	18	8	4	65	115	145	185	16	340	160	180	140	212	280	100	95	254	460	28
65-160	2	80	134	160	200	18	8	4	65	115	145	185	16	360	160	200	140	212	280	100	95	296	460	29
65-200	2	80	134	160	200	18	8	4	65	115	145	185	16	405	180	225	140	250	320	100	95	296	460	30

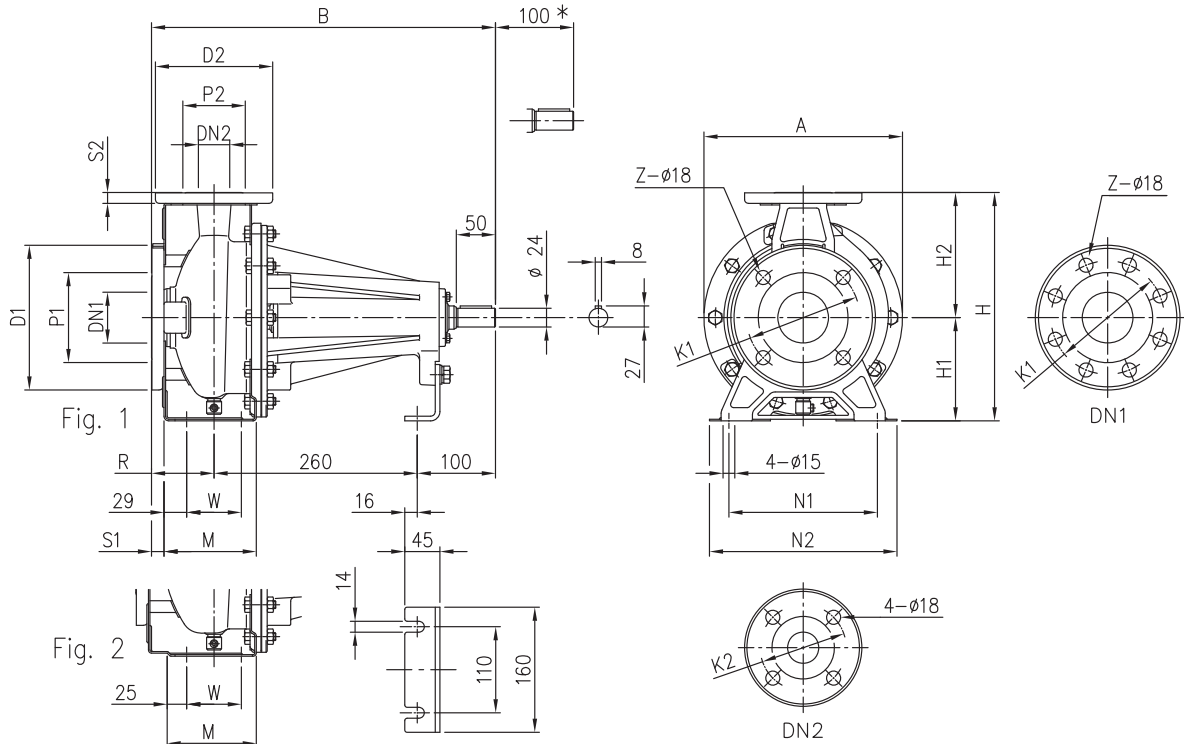
[1] Standard
[2] On request

* Space where it is possible to disassemble the pump with coupling spacer without disassembling the motor.

DIMENSION
2 Poles
3(.)PF 65 - 250, 80

DIMENSIONAL TABLE

Model	Dimensions [mm]																												Weight [kg]	
	DN1	P1	K1	D1	S1	DN2	P2	D2	S2	H	H1	H2	H3	R	W	N1	N2	M	M1	L	L1	D	D3	E	F	A1	A2	B		C
65-250	80	135	160	200	22	65 Fig. 1	120	185	20	450	200	250	15	100	120	280	360	160	80	130	80	32	19	10	35	175	182	570	340	82
80-160	100	155	180	225	24	80 Fig. 2	135	200	22	405	180	225	13	125	95	250	320	125	65	100	50	24	15	8	27	147	173	485	260	60
80-200	100	155	180	225	24	80 Fig. 2	135	200	22	430	180	250	13	125	95	280	345	125	65	130	80	32	15	10	35	175	182	595	340	83
80-250	100	155	180	225	24	80 Fig. 2	135	200	22	480	200	280	15	125	120	315	400	160	80	130	80	32	19	10	35	175	192	595	340	88

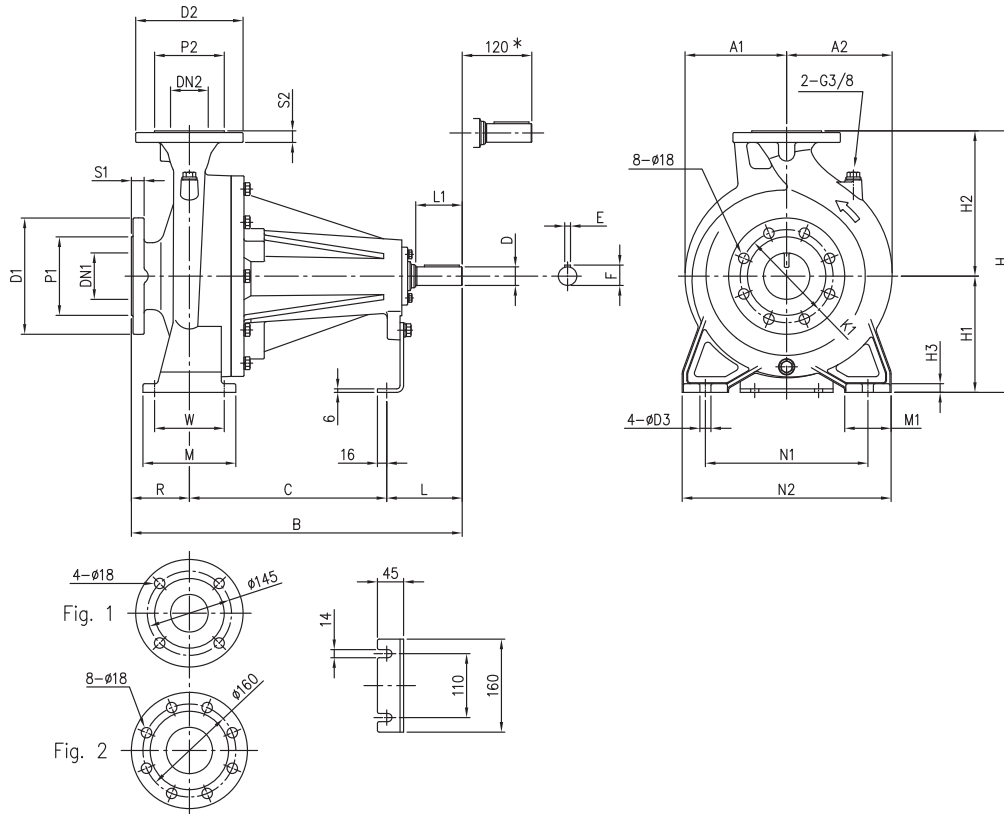
* Space where it is possible to disassemble the pump with coupling spacer without disassembling the motor.

DIMENSION
4 Poles
3(.)PF4 32, 40, 50, 65

DIMENSIONAL TABLE

Model	Fig.	Dimensions [mm]																				Weight [kg]		
		DN1	P1	K1	D1	S1	Z	DN2	P2	K2	D2	S2	H	H1	H2	M	N1	N2	R	W	A		B	
32-125	1	50	95	125	165	16	4	-	32	75	100	140	14	252	112	140	114	140	190	80	70	213	440	17
32-160	1	50	95	125	165	16	4	-	32	75	100	140	14	292	132	160	118	190	240	80	70	254	440	19
32-200	1	50	95	125	165	16	4	-	32	75	100	140	14	340	160	180	119	190	240	80	70	296	440	27
40-125	1	65	115	145	185	16	4	-	40	80	110	150	14	252	112	140	114	160	210	80	70	213	440	17
40-160	1	65	115	145	185	16	4	-	40	80	110	150	14	292	132	160	118	190	240	80	70	254	440	19
40-200	2	65	115	145	185	16	4	-	40	80	110	150	14	340	160	180	115	212	265	100	70	296	460	27
50-125	2	65	115	145	185	16	4	-	50	95	125	165	16	292	132	160	114	190	240	100	70	254	460	19
50-160	2	65	115	145	185	16	4	-	50	95	125	165	16	340	160	180	115	212	265	100	70	296	460	28
50-200	2	65	115	145	185	16	4	-	50	95	125	165	16	360	160	200	115	212	265	100	70	296	460	27
65-125	2	80	134	160	200	18	8	4	65	115	145	185	16	340	160	180	140	212	280	100	95	254	460	28
65-160	2	80	134	160	200	18	8	4	65	115	145	185	16	360	160	200	140	212	280	100	95	296	460	29
65-200	2	80	134	160	200	18	8	4	65	115	145	185	16	405	180	225	140	250	320	100	95	296	460	30

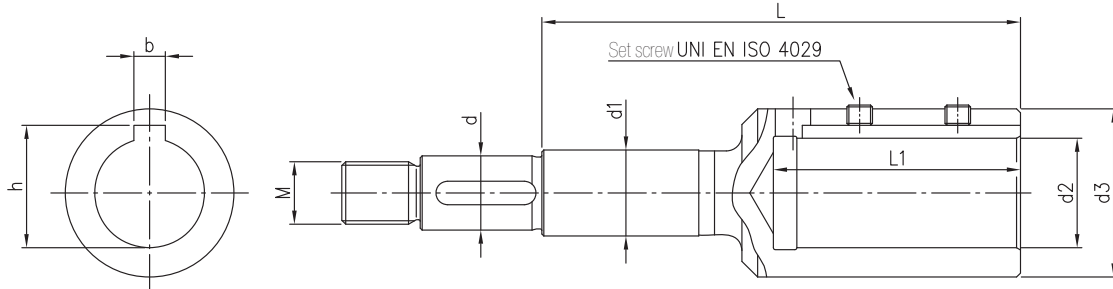
[1] Standard
[2] On request

* Space where it is possible to disassemble the pump with coupling spacer without disassembling the motor.

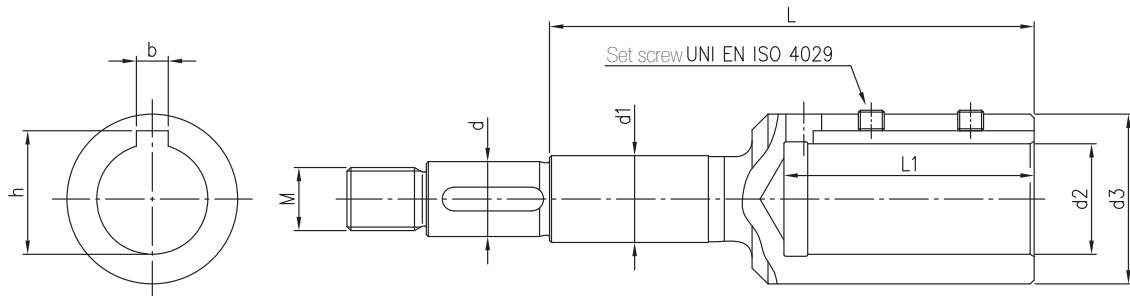
DIMENSION
4 Poles
3LPF4 65 - 250, 80

DIMENSIONAL TABLE

Model	Dimensions [mm]																											Weight [kg]		
	DN1	P1	K1	D1	S1	DN2	P2	D2	S2	H	H1	H2	H3	R	W	N1	N2	M	M1	L	L1	D	D3	E	F	A1	A2		B	C
65-250	80	135	160	200	22	65 Fig. 1	120	185	20	450	200	250	15	100	120	280	360	160	80	130	80	32	19	10	35	175	182	570	340	82
80-160	100	155	180	225	24	80 Fig. 2	135	200	22	405	180	225	13	125	95	250	320	125	65	100	50	24	15	8	27	147	173	485	260	56
80-200	100	155	180	225	24	80 Fig. 2	135	200	22	430	180	250	13	125	95	280	345	125	65	130	80	32	15	10	35	175	182	595	340	83
80-250	100	155	180	225	24	80 Fig. 2	135	200	22	480	200	280	15	125	120	315	400	160	80	130	80	32	19	10	35	175	192	595	340	84

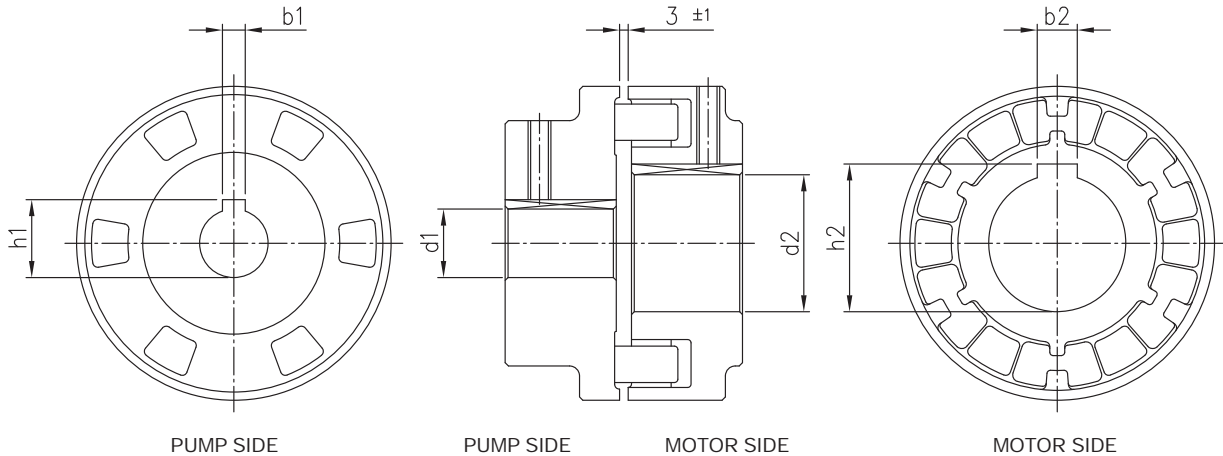
* Space where it is possible to disassemble the pump with coupling spacer without disassembling the motor.

DIMENSION
2 Poles
3(.)S - 3SF Series Coupling

DIMENSIONAL TABLE

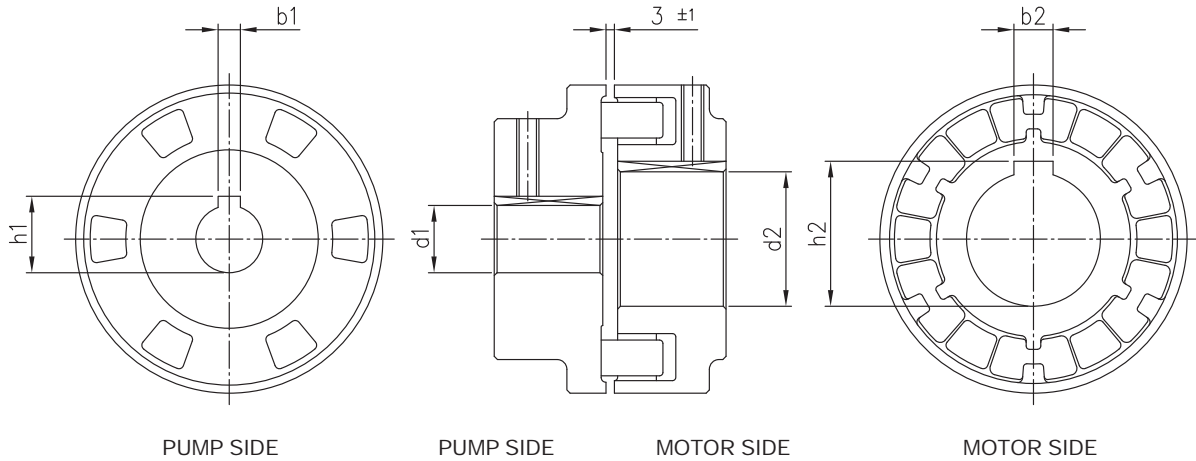
Model	kW	HP	Motor size	Dimensions [mm]									
				d	d1	d2	d3	M	L	L1	b	h	Viti
32-125/1.1	1.1	1.5	80	19	22	19	33	M16x1.5	98	43	6	21.8	M6x6
32-160/1.5	1.5	2	90	19	22	24	39	M16x1.5	110	53	8	27.3	M8x8
32-160/2.2	2.2	3	90	19	22	24	39	M16x1.5	110	53	8	27.3	M8x8
32-200/3.0	3	4	100	19	22	28	43	M16x1.5	122	63	8	31.3	M8x8
32-200/4.0	4	5.5	112	19	22	28	43	M16x1.5	122	63	8	31.3	M8x8
32-200/5.5	5.5	7.5	132	19	22	38	58	M16x1.5	145	84	10	41.3	M8x8
32-200/7.5	7.5	10	132	19	22	38	58	M16x1.5	145	84	10	41.3	M8x8
40-125/1.5	1.5	2	90	19	22	24	39	M16x1.5	110	53	8	27.3	M8x8
40-125/2.2	2.2	3	90	19	22	24	39	M16x1.5	110	53	8	27.3	M8x8
40-160/3.0	3	4	100	19	22	28	43	M16x1.5	122	63	8	31.3	M8x8
40-160/4.0	4	5.5	112	19	22	28	43	M16x1.5	122	63	8	31.3	M8x8
40-200/5.5	5.5	7.5	132	19	22	38	58	M16x1.5	145	84	10	41.3	M8x8
40-200/7.5	7.5	10	132	19	22	38	58	M16x1.5	145	84	10	41.3	M8x8
40-200/11	11	15	160	19	22	42	63	M16x1.5	178	114	12	45.3	M8x8
50-125/2.2	2.2	3	90	19	22	24	39	M16x1.5	110	53	8	27.3	M8x8
50-125/3.0	3	4	100	19	22	28	43	M16x1.5	122	63	8	31.3	M8x8
50-125/4.0	4	5.5	112	19	22	28	43	M16x1.5	122	63	8	31.3	M8x8
50-160/5.5	5.5	7.5	132	19	22	38	58	M16x1.5	145	84	10	41.3	M8x8
50-160/7.5	7.5	10	132	19	22	38	58	M16x1.5	145	84	10	41.3	M8x8
50-200/9.2	9.2	12.5	132	19	22	38	58	M16x1.5	145	84	10	41.3	M8x8
50-200/11	11	15	160	19	22	42	63	M16x1.5	178	114	12	45.3	M8x8
50-200/15	15	20	160	22	22	42	63	M18x1.5	209	114	12	45.3	M8x8
65-125/4.0	4	5.5	112	19	22	28	43	M16x1.5	122	63	8	31.3	M8x8
65-125/5.5	5.5	7.5	132	19	22	38	58	M16x1.5	145	84	10	41.3	M8x8
65-125/7.5	7.5	10	132	19	22	38	58	M16x1.5	145	84	10	41.3	M8x8
65-160/7.5	7.5	10	132	19	22	38	58	M16x1.5	145	84	10	41.3	M8x8
65-160/9.2	9.2	12.5	132	19	22	38	58	M16x1.5	145	84	10	41.3	M8x8
65-160/11	11	15	160	19	22	42	63	M16x1.5	178	114	12	45.3	M8x8
65-160/15	15	20	160	24	30	42	63	M20x1.5	184	114	12	45.3	M8x8
65-200/15	15	20	160	24	30	42	63	M20x1.5	184	114	12	45.3	M8x8
65-200/18.5	18.5	25	160	24	30	42	63	M20x1.5	184	114	12	45.3	M8x8
65-200/22	22	30	180	24	30	48	72	M20x1.5	184	114	14	51.8	M10x10
65-250/30	30	40	200	24	30	55	85	M20x1.5	184	114	16	59.3	M12x12
65-250/37	37	50	200	24	30	55	85	M20x1.5	184	114	16	59.3	M12x12
80-160/11	11	15	160	24	30	42	63	M20x1.5	184	114	12	45.3	M8x8
80-160/15R	15	20	160	24	30	42	63	M20x1.5	184	114	12	45.3	M8x8
80-160/15	15	20	160	24	30	42	63	M20x1.5	184	114	12	45.3	M8x8
80-160/18.5	18.5	25	160	24	30	42	63	M20x1.5	184	114	12	45.3	M8x8
80-200/22	22	30	180	24	30	48	72	M20x1.5	184	114	14	51.8	M10x10
80-200/30	30	40	200	24	30	55	85	M20x1.5	184	114	16	59.3	M12x12
80-200/37	37	50	200	24	30	55	85	M20x1.5	184	114	16	59.3	M12x12
80-250/37	37	50	200	29	35	55	85	M24x2	206	114	16	59.3	M12x12
80-250/45	45	60	225	29	35	55	85	M24x2	206	114	16	59.3	M12x12
80-250/55	55	75	250	29	35	60	89	M24x2	218	144	18	64.4	M12x12

DIMENSION
4 Poles
3(.)S4 - 3SF4 Series Coupling

DIMENSIONAL TABLE

Model	kW	HP	Motor size	d	d1	d2	d3	Dimensions [mm]						Viti
								M	L	L1	b	h		
32-125/0.25	0.25	0.33	71	19	22	14	28	M16x1.5	88	33	5	16.3	M5x6	
32-160/0.37R	0.37	0.5	71	19	22	14	28	M16x1.5	88	33	5	16.3	M5x6	
32-160/0.37	0.37	0.5	71	19	22	14	28	M16x1.5	88	33	5	16.3	M5x6	
32-200/0.55R	0.55	0.75	80	19	22	19	33	M16x1.5	98	43	6	21.8	M6x6	
32-200/0.55	0.55	0.75	80	19	22	19	33	M16x1.5	98	43	6	21.8	M6x6	
32-200/0.75	0.75	1	80	19	22	19	33	M16x1.5	98	43	6	21.8	M6x6	
40-125/0.37R	0.37	0.5	71	19	22	14	28	M16x1.5	88	33	5	16.3	M5x6	
40-125/0.37	0.37	0.5	71	19	22	14	28	M16x1.5	88	33	5	16.3	M5x6	
40-160/0.55R	0.55	0.75	80	19	22	19	33	M16x1.5	98	43	6	21.8	M6x6	
40-160/0.55	0.55	0.75	80	19	22	19	33	M16x1.5	98	43	6	21.8	M6x6	
40-200/1.1R	1.1	1.5	90	19	22	24	39	M16x1.5	110	53	8	27.3	M8x8	
40-200/1.1	1.1	1.5	90	19	22	24	39	M16x1.5	110	53	8	27.3	M8x8	
40-200/1.5	1.5	2	90	19	22	24	39	M16x1.5	110	53	8	27.3	M8x8	
50-125/0.55R	0.55	0.75	80	19	22	19	33	M16x1.5	98	43	6	21.8	M6x6	
50-125/0.55	0.55	0.75	80	19	22	19	33	M16x1.5	98	43	6	21.8	M6x6	
50-160/1.1R	1.1	1.5	90	19	22	24	39	M16x1.5	110	53	8	27.3	M8x8	
50-160/1.1	1.1	1.5	90	19	22	24	39	M16x1.5	110	53	8	27.3	M8x8	
50-200/1.5R	1.5	2	90	19	22	24	39	M16x1.5	110	53	8	27.3	M8x8	
50-200/1.5	1.5	2	90	19	22	24	39	M16x1.5	110	53	8	27.3	M8x8	
50-200/2.2	2.2	3	100	22	22	28	43	M18x1.5	153	63	8	31.3	M8x8	
65-125/0.55	0.55	0.75	80	19	22	19	33	M16x1.5	98	43	6	21.8	M6x6	
65-125/0.75	0.75	1	80	19	22	19	33	M16x1.5	98	43	6	21.8	M6x6	
65-125/1.1	1.1	1.5	90	19	22	24	39	M16x1.5	110	53	8	27.3	M8x8	
65-160/1.1	1.1	1.5	90	19	22	24	39	M16x1.5	110	53	8	27.3	M8x8	
65-160/1.5	1.5	2	90	19	22	24	39	M16x1.5	110	53	8	27.3	M8x8	
65-160/2.2	2.2	3	100	19	22	28	43	M16x1.5	122	63	8	31.3	M8x8	
65-200/2.2R	2.2	3	100	19	22	28	43	M16x1.5	122	63	8	31.3	M8x8	
65-200/2.2	2.2	3	100	19	22	28	43	M16x1.5	122	63	8	31.3	M8x8	
65-200/3	3	4	100	19	22	28	43	M16x1.5	122	63	8	31.3	M8x8	
65-250/4	4	5.5	112	24	30	28	43	M20x1.5	128	63	8	31.3	M8x8	
65-250/5.5	5.5	7.5	132	24	30	38	58	M20x1.5	151	84	10	41.3	M8x8	
80-160/1.5	1.5	2	90	19	22	24	39	M16x1.5	110	53	8	27.3	M8x8	
80-160/2.2R	2.2	3	100	19	22	28	43	M16x1.5	122	63	8	31.3	M8x8	
80-160/2.2	2.2	3	100	19	22	28	43	M16x1.5	122	63	8	31.3	M8x8	
80-200/3	3	4	100	24	30	28	43	M20x1.5	128	63	8	31.3	M8x8	
80-200/4R	4	5.5	112	24	30	28	43	M20x1.5	128	63	8	31.3	M8x8	
80-200/4	4	5.5	112	24	30	28	43	M20x1.5	128	63	8	31.3	M8x8	
80-250/5.5R	5.5	7.5	132	24	30	38	58	M20x1.5	151	84	10	41.3	M8x8	
80-250/5.5	5.5	7.5	132	24	30	38	58	M20x1.5	151	84	10	41.3	M8x8	
80-250/7.5	7.5	10	132	24	30	38	58	M20x1.5	151	84	10	41.3	M8x8	

DIMENSION
2 Poles
3(.)P Series Coupling

DIMENSIONAL TABLE

Model	kW	HP	Motor size	Dimensions [mm]					
				d1	b1	h1	d2	b2	h2
32-125/1.1	1.1	1.5	80	24	8	27.3	19	6	21.8
32-160/1.5	1.5	2	90	24	8	27.3	24	8	27.3
32-160/2.2	2.2	3	90	24	8	27.3	24	8	27.3
32-200/3.0	3	4	100	24	8	27.3	28	8	31.3
32-200/4.0	4	5.5	112	24	8	27.3	28	8	31.3
32-200/5.5	5.5	7.5	132	24	8	27.3	38	10	41.3
32-200/7.5	7.5	10	132	24	8	27.3	38	10	41.3
40-125/1.5	1.5	2	90	24	8	27.3	24	8	27.3
40-125/2.2	2.2	3	90	24	8	27.3	24	8	27.3
40-160/3.0	3	4	100	24	8	27.3	28	8	31.3
40-160/4.0	4	5.5	112	24	8	27.3	28	8	31.3
40-200/5.5	5.5	7.5	132	24	8	27.3	38	10	41.3
40-200/7.5	7.5	10	132	24	8	27.3	38	10	41.3
40-200/11	11	15	160	24	8	27.3	42	12	45.3
50-125/2.2	2.2	3	90	24	8	27.3	24	8	27.3
50-125/3.0	3	4	100	24	8	27.3	28	8	31.3
50-125/4.0	4	5.5	112	24	8	27.3	28	8	31.3
50-160/5.5	5.5	7.5	132	24	8	27.3	38	10	41.3
50-160/7.5	7.5	10	132	24	8	27.3	38	10	41.3
50-200/9.2	9.2	12.5	132	24	8	27.3	38	10	41.3
50-200/11	11	15	160	24	8	27.3	42	12	45.3
50-200/15	15	20	160	24	8	27.3	42	12	45.3
65-125/4.0	4	5.5	112	24	8	27.3	28	8	31.3
65-125/5.5	5.5	7.5	132	24	8	27.3	38	10	41.3
65-125/7.5	7.5	10	132	24	8	27.3	38	10	41.3
65-160/7.5	7.5	10	132	24	8	27.3	38	10	41.3
65-160/9.2	9.2	12.5	132	24	8	27.3	38	10	41.3
65-160/11	11	15	160	24	8	27.3	42	12	45.3
65-160/15	15	20	160	24	8	27.3	42	12	45.3
65-200/15	15	20	160	24	8	27.3	42	12	45.3
65-200/18.5	18.5	25	160	24	8	27.3	42	12	45.3
65-200/22	22	30	180	24	8	27.3	48	14	51.8
65-250/30	30	40	200	32	10	35.3	55	16	59.3
65-250/37	37	50	200	32	10	35.3	55	16	59.3
80-160/11	11	15	160	24	8	27.3	42	12	45.3
80-160/15R	15	20	160	24	8	27.3	42	12	45.3
80-160/15	15	20	160	24	8	27.3	42	12	45.3
80-160/18.5	18.5	25	160	24	8	27.3	42	12	45.3
80-200/22	22	30	180	32	10	35.3	48	14	51.8
80-200/30	30	40	200	32	10	35.3	55	16	59.3
80-200/37	37	50	200	32	10	35.3	55	16	59.3
80-250/37	37	50	200	32	10	35.3	55	16	59.3
80-250/45	45	60	225	32	10	35.3	55	16	59.3
80-250/55	55	75	250	32	10	35.3	60	18	64.4

DIMENSION
4 Poles
3(.)P4 Series Coupling

DIMENSIONAL TABLE

Model	kW	HP	Motor size	Dimensions [mm]					
				d1	b1	h1	d2	b2	h2
32-125/0.25	0.25	0.33	71	24	8	27.3	14	5	16.3
32-160/0.37R	0.37	0.5	71	24	8	27.3	14	5	16.3
32-160/0.37	0.37	0.5	71	24	8	27.3	14	5	16.3
32-200/0.55R	0.55	0.75	80	24	8	27.3	19	6	21.8
32-200/0.55	0.55	0.75	80	24	8	27.3	19	6	21.8
32-200/0.75	0.75	1	80	24	8	27.3	19	6	21.8
40-125/0.37R	0.37	0.5	71	24	8	27.3	14	5	16.3
40-125/0.37	0.37	0.5	71	24	8	27.3	14	5	16.3
40-160/0.55R	0.55	0.75	80	24	8	27.3	19	6	21.8
40-160/0.55	0.55	0.75	80	24	8	27.3	19	6	21.8
40-200/1.1R	1.1	1.5	90	24	8	27.3	24	8	27.3
40-200/1.1	1.1	1.5	90	24	8	27.3	24	8	27.3
40-200/1.5	1.5	2	90	24	8	27.3	24	8	27.3
50-125/0.55R	0.55	0.75	80	24	8	27.3	19	6	21.8
50-125/0.55	0.55	0.75	80	24	8	27.3	19	6	21.8
50-160/1.1R	1.1	1.5	90	24	8	27.3	24	8	27.3
50-160/1.1	1.1	1.5	90	24	8	27.3	24	8	27.3
50-200/1.5R	1.5	2	90	24	8	27.3	24	8	27.3
50-200/1.5	1.5	2	90	24	8	27.3	24	8	27.3
50-200/2.2	2.2	3	100	24	8	27.3	28	8	31.3
65-125/0.55	0.55	0.75	80	24	8	27.3	19	6	21.8
65-125/0.75	0.75	1	80	24	8	27.3	19	6	21.8
65-125/1.1	1.1	1.5	90	24	8	27.3	24	8	27.3
65-160/1.1	1.1	1.5	90	24	8	27.3	24	8	27.3
65-160/1.5	1.5	2	90	24	8	27.3	24	8	27.3
65-160/2.2	2.2	3	100	24	8	27.3	28	8	31.3
65-200/2.2R	2.2	3	100	24	8	27.3	28	8	31.3
65-200/2.2	2.2	3	100	24	8	27.3	28	8	31.3
65-200/3	3	4	100	24	8	27.3	28	8	31.3
65-250/4	4	5.5	112	32	10	35.3	28	8	31.3
65-250/5.5	5.5	7.5	132	32	10	35.3	38	10	41.3
80-160/1.5	1.5	2	90	24	8	27.3	24	8	27.3
80-160/2.2R	2.2	3	100	24	8	27.3	28	8	31.3
80-160/2.2	2.2	3	100	24	8	27.3	28	8	31.3
80-200/3	3	4	100	32	10	35.3	28	8	31.3
80-200/4R	4	5.5	112	32	10	35.3	28	8	31.3
80-200/4	4	5.5	112	32	10	35.3	28	8	31.3
80-250/5.5R	5.5	7.5	132	32	10	35.3	38	10	41.3
80-250/5.5	5.5	7.5	132	32	10	35.3	38	10	41.3
80-250/7.5	7.5	10	132	32	10	35.3	38	10	41.3