

Pos.	Denominazione	Part name	CDM 70/05	CDM 70/07	CDM 70/12	CDM 90/10	CDM 120/07	
			1970050000	1970090000	1970100000	1970100500	1980090000	
001	CORPO POMPA	Casing	251419025		251419019	251419025		
003	SUPPORTO MOTORE	Motor bracket	251402095		251402097	251402095		
004	DISCO P/TENUTA	Casing cover	251438005		251438006	251438005		
006	ALBERO ROTORE	Shaft with rotor	275412528	275412028	275412029	275412128	275412028	
007	GIRANTE	Impeller	251450000	251450001	251450002	251450001	251450003	
011-K	TENUTA PARTE FISSA	Mechanical seal fixed	364500003					
011-K	TENUTA PARTE ROTANTE	Mechanical seal rolling	364500003					
012	CASSA	Motor frame	257930220	257930320	257930319		257930320	
013	COPERCHIO MOTORE	Motor cover	230225006					
014	VENTOLA	Fan	369950002					
015	COPRIVENTOLA	Fan cover	362222001					
016	MORSETTIERA	Terminal board	365940253					
017	COPRIMORSETTIERA	Terminal box cover	363232056		363232057	363232056		
018	ANELLO "V"	"V" seal ring	367650157					
019	CUSCINETTO	Bearing	360326203					
020	CUSCINETTO	Bearing	360306202					
021	ANELLO COMPENSATORE	Adjusting ring	360600035					
022	TIRANTE	Tie rod	369393014 (4)		369393018 (4)		369393014 (4)	
023	CONDENSATORE	Capacitor	361402125	361402160	361404315	361402200	361402160	
024	TAPPO	Priming plug	375192107					
025	TAPPO	Drain plug	375192107					
026-K	ANELLO OR	"O" ring	364500003					
031	DIST. DISCO TENUTA	thrust flange	371434019					
032-K	LINGUETTA	Key	364500003					
034-K	DADO GIRANTE	Impeller nut	364500003					
036	CAMICIA MOTORE	External motor casing	255402058		255402076	255402081	255402058	
056	GUARNIZ.COPRIMOR.	Box gasket	364700700		364700800	364700700		
058	PRESSACAVO	Cable entry	366550010					
059	PRESSACAVO	Cable entry	366550009	
073-K	ANELLO RASAMENTO	Casing ring	364500003					
075	RONDELLA TAPPO	Washer	367667000					
076	RONDELLA TAPPO	Washer	367667000					
077-K	ANELLO OR	"O" ring	364500003					
078-K	ANELLO OR	"O" ring	364500003					
093	ANELLO TEN. LATO VENT.	Lip seal	360991527					
097	PASSACAVO	Cable entry	366650114					
098	PASSACAVO	Cable entry	366650112					
110	MOTOPROTETTORE	Protector	
200	VITE	Screw	369644000 (8)		369641002 (8)	369644000 (8)		

K	CAR/CER/VITON H VERSION CODE NUMBER 364500004
	SIC/SIC/VITON HS VERSION CODE NUMBER 364500005

(n)=Quantità per pompa / Quantity for pump
K=kit

DWG N° 01302

Pos.	Denominazione	Part name	CDM 120/12	CDM 120/20	CDM 200/12	CDM 200/20
			1980100000	1980200000	1990100000	1990200000
001	CORPO POMPA	Casing	251419022	251419023	251419017	
003	SUPPORTO MOTORE	Motor bracket	251402095	251402098	251402095	251402096
004	DISCO P/TENUTA	Casing cover	251438005	251438006	251438005	
006	ALBERO ROTORE	Shaft with rotor	275412029	275412030	275412029	275412030
007	GIRANTE	Impeller	251450004	251450005	251450006	251450007
011-K	TENUTA PARTE FISSA	Mechanical seal fixed	364500003			
011-K	TENUTA PARTE ROTANTE	Mechanical seal rolling	364500003			
012	CASSA	Motor frame	257930319	257930214	257930319	257930214
013	COPERCHIO MOTORE	Motor cover	230225006	230225008	230225006	230225008
014	VENTOLA	Fan	369950002	369950008	369950002	369950008
015	COPRIVENTOLA	Fan cover	362222001	362222006	362222001	362222006
016	MORSETTIERA	Terminal board	365940253	365940254	365940253	365940254
017	COPRIMORSETTIERA	Terminal box cover	363232057			
018	ANELLO "V"	"V" seal ring	367650157	367650156	367650157	367650156
019	CUSCINETTO	Bearing	360326203	360326204	360326203	360326204
020	CUSCINETTO	Bearing	360306202	360326203	360306202	360326203
021	ANELLO COMPENSATORE	Adjusting ring	360600035	360600040	360600035	360600040
022	TIRANTE	Tie rod	369393018 (4)	369393019 (4)	369393018 (4)	369393019 (4)
023	CONDENSATORE	Capacitor	361404315	361402400	361404315	361402400
024	TAPPO	Priming plug	375192107			
025	TAPPO	Drain plug	375192107			
026-K	ANELLO OR	"O" ring	364500003			
031	DIST. DISCO TENUTA	thrust flange	371434019	371434020	371434019	371434020
032-K	LINGUETTA	Key	364500003			
034-K	DADO GIRANTE	Impeller nut	364500003			
036	CAMICIA MOTORE	External motor casing	255402077	255402063	255402077	255402031
056	GUARNIZ.COPRIMOR.	Box gasket	364700800			
058	PRESSACAVO	Cable entry	366550010			
059	PRESSACAVO	Cable entry	366550009			
073-K	ANELLO RASAMENTO	Casing ring	364500003			
075	RONDELLA TAPPO	Washer	367667000			
076	RONDELLA TAPPO	Washer	367667000			
077-K	ANELLO OR	"O" ring	364500003			
078-K	ANELLO OR	"O" ring	364500003			
093	ANELLO TEN. LATO VENT.	Lip seal	360991527	360991529	360991527	360991529
097	PASSACAVO	Cable entry	366650114			
098	PASSACAVO	Cable entry	366650112	366650113	366650112	366650113
110	MOTOPROTETTORE	Protector	369450502	369450502
200	VITE	Screw	369644000 (8)	369641002 (8)	369644000 (8)	369641002 (8)

K	CAR/CER/VITON H VERSION CODE NUMBER 364500004
	SIC/SIC/VITON HS VERSION CODE NUMBER 364500005

(n)=Quantità per pompa / Quantity for pump
K=kit

DWG N° 01302

Pos.	Denominazione	Part name	CD 70/05	CD 70/07	CD 70/12	CD 90/10	CD 120/07
			1970050004	1970090004	1970100004	1970100504	1980090004
001	CORPO POMPA	Casing	251419025	251419019	251419025		
003	SUPPORTO MOTORE	Motor bracket	251402095	251402097	251402095		
004	DISCO P/TENUTA	Casing cover	251438005	251438006	251438005		
006	ALBERO ROTORE	Shaft with rotor	275412528	275412029	275412128		
007	GIRANTE	Impeller	251450000	251450001	251450002	251450001	251450003
011-K	TENUTA PARTE FISSA	Mechanical seal fixed			364500003		
011-K	TENUTA PARTE ROTANTE	Mechanical seal rolling			364500003		
012	CASSA	Motor frame	257930420	257930820	257930519	257930219	257930820
013	COPERCHIO MOTORE	Motor cover			230225006		
014	VENTOLA	Fan			369950002		
015	COPRIVENTOLA	Fan cover			362222001		
016	MORSETTIERA	Terminal board			365940256		
017	COPRIMORSETTIERA	Terminal box cover			363232057		
018	ANELLO "V"	"V" seal ring			367650157		
019	CUSCINETTO	Bearing			360326203		
020	CUSCINETTO	Bearing			360306202		
021	ANELLO COMPENSATORE	Adjusting ring			360600035		
022	TIRANTE	Tie rod			369393014 (4)		
024	TAPPO	Priming plug			375192107		
025	TAPPO	Drain plug			375192107		
026-K	ANELLO OR	"O" ring			364500003		
031	DIST. DISCO TENUTA	thrust flange			371434019		
032-K	LINGUETTA	Key			364500003		
034-K	DADO GIRANTE	Impeller nut			364500003		
036	CAMICIA MOTORE	External motor casing	255402079	255402061	255402059	255402079	
049	TAPPO CHIUSURA	Plug			369200550		
056	GUARNIZ.COPRIMOR.	Box gasket			364700800		
058	PRESSACAVO	Cable entry			366550010		
073-K	ANELLO RASAMENTO	Casing ring			364500003		
075	RONDELLA TAPPO	Washer			367667000		
076	RONDELLA TAPPO	Washer			367667000		
077-K	ANELLO OR	"O" ring			364500003		
078-K	ANELLO OR	"O" ring			364500003		
093	ANELLO TEN. LATO VENT.	Lip seal			360991527		
097	PASSACAVO	Cable entry			366650114		
098	PASSACAVO	Cable entry			366650112		
200	VITE	Screw	369644000 (8)	369641002 (8)	369644000 (8)		

K	CAR/CER/VITON H VERSION CODE NUMBER 364500004
	SIC/SIC/VITON HS VERSION CODE NUMBER 364500005

(n)=Quantità per pompa / Quantity for pump
K=kit

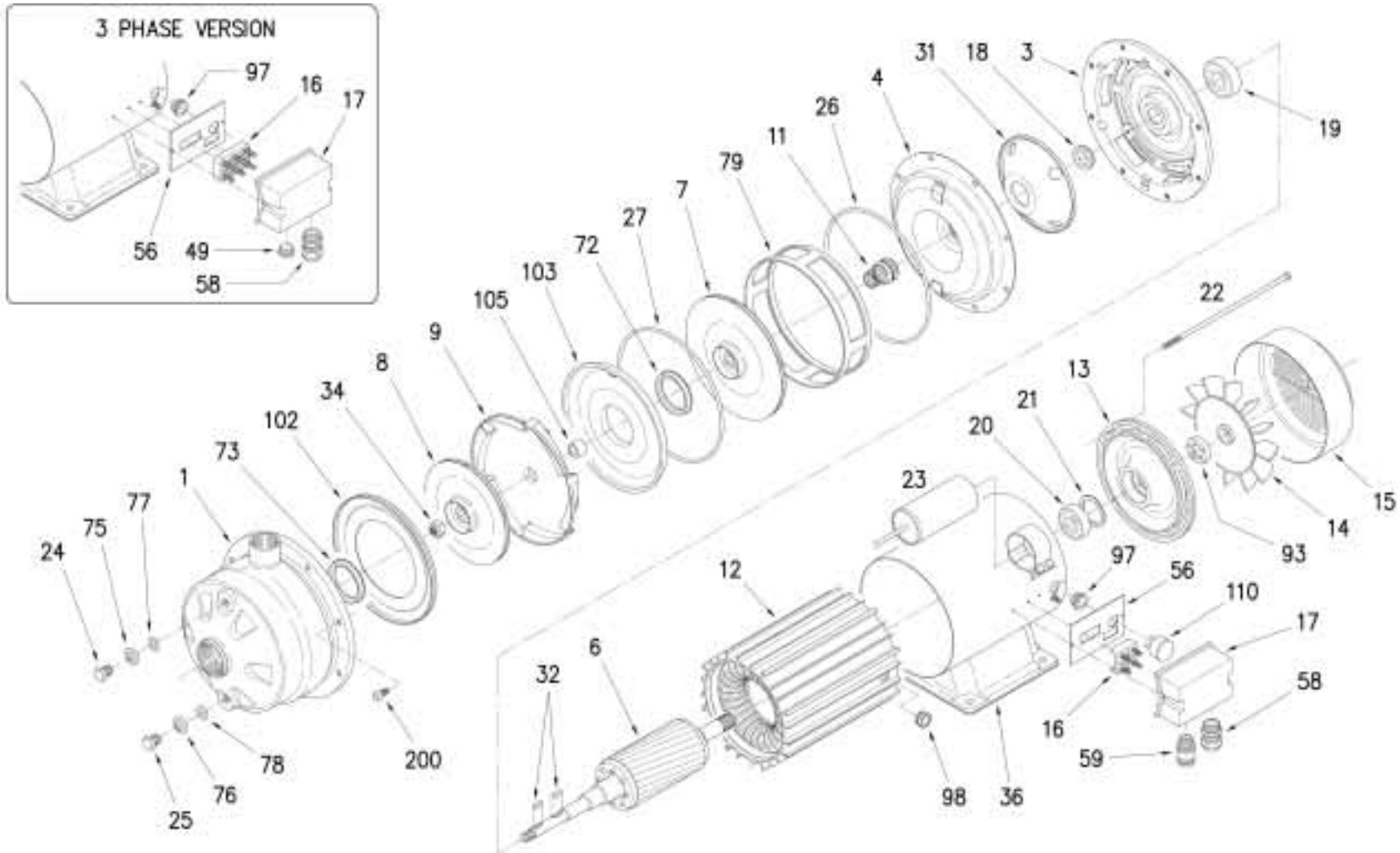
DWG N° 01302

Pos.	Denominazione	Part name	CD 120/12	CD 120/20	CD 200/12	CD 200/20	CD/A 200/25	
			1980100004	1980200004	1990100004	1990200004	1990250004A	
001	CORPO POMPA	Casing	251419022	251419023	251419017		251419021	
003	SUPPORTO MOTORE	Motor bracket	251402095	251402098	251402095	251402096	251402098	
004	DISCO P/TENUTA	Casing cover	251438005	251438006	251438005		251438006	
006	ALBERO ROTORE	Shaft with rotor	275412029	275412530	275412029	275412530	275412759	
007	GIRANTE	Impeller	251450004	251450005	251450006	251450007	251450008	
011-K	TENUTA PARTE FISSA	Mechanical seal fixed						364500003
011-K	TENUTA PARTE ROTANTE	Mechanical seal rolling						364500003
012	CASSA	Motor frame	257930519	257931014	257930519	257931014	257930851	
013	COPERCHIO MOTORE	Motor cover	230225006	230225008	230225006	230225008		
014	VENTOLA	Fan	369950002	369950008	369950002	369950008		
015	COPRIVENTOLA	Fan cover	362222001	362222006	362222001	362222006		
016	MORSETTIERA	Terminal board	365940256	365950326	365940256	365950326		
017	COPRIMORSETTIERA	Terminal box cover						363232057
018	ANELLO "V"	"V" seal ring	367650157	367650156	367650157	367650156		
019	CUSCINETTO	Bearing	360326203	360326204	360326203	360326204		
020	CUSCINETTO	Bearing	360306202	360326203	360306202	360326203		
021	ANELLO COMPENSATORE	Adjusting ring	360600035	360600040	360600035	360600040		
022	TIRANTE	Tie rod	369393018 (4)	369393019 (4)	369393018 (4)	369393019	369305213 (4)	
024	TAPPO	Priming plug						375192107
025	TAPPO	Drain plug						375192107
026-K	ANELLO OR	"O" ring						364500003
031	DIST. DISCO TENUTA	thrust flange	371434019	371434020	371434019	371434020		
032-K	LINGUETTA	Key						364500003
034-K	DADO GIRANTE	Impeller nut						364500003
036	CAMICIA MOTORE	External motor casing	255402059	255402062	255402059	255402034	255402430	
049	TAPPO CHIUSURA	Plug						369200550
056	GUARNIZ.COPRIMOR.	Box gasket						364700800
058	PRESSACAVO	Cable entry						366550010
073-K	ANELLO RASAMENTO	Casing ring						364500003
075	RONDELLA TAPPO	Washer						367667000
076	RONDELLA TAPPO	Washer						367667000
077-K	ANELLO OR	"O" ring						364500003
078-K	ANELLO OR	"O" ring						364500003
093	ANELLO TEN. LATO VENT.	Lip seal	360991527	360991529	360991527	360991529		
097	PASSACAVO	Cable entry						366650114
098	PASSACAVO	Cable entry	366650112	366650113	366650112	366650113		
200	VITE	Screw	369644000 (8)	369641002 (8)	369644000 (8)		369641002 (8)	

K	CAR/CER/VITON H VERSION CODE NUMBER 364500004
	SIC/SIC/VITON HS VERSION CODE NUMBER 364500005

(n)=Quantità per pompa / Quantity for pump
K=kit

DWG N° 01302



Pos.	Denominazione	Part name	2CDM/A 70/10	2CDM/A 70/12	2CDM/A 70/15	2CDM 70/20
			1979100000A	1979120000A	1979150000A	1979200000
001	CORPO POMPA	Casing	251420688	251420688	251420692	251420692
003	SUPPORTO MOTORE	Motor bracket	251402115	251402115	251402117	251402117
004	DISCO P/TENUTA	Casing cover	251402069	251402069	251402065	251402065
006	ALBERO ROTORE	Shaft with rotor	275412188	275412026	275412236	275412237
007	GIRANTE	Impeller	251450000	251450720	251450721	251450721
008	GIRANTE	Impeller	251450720	251450720	251450721	251450002
009	DIFFUSORE	Diffuser	251435024	251435024	251435026	251435026
011-K	TENUTA PARTE FISSA	Mechanical seal fixed	364500006			
011-K	TENUTA PARTE ROTANTE	Mechanical seal rolling	364500006			
012	CASSA	Motor frame	257930319	257930323	257930850	257930214
013	COPERCHIO MOTORE	Motor cover	230225006	230225006	230225008	230225008
014	VENTOLA	Fan	369950002	369950002	369950008	369950008
015	COPRIVENTOLA	Fan cover	362222001	362222001	362222006	362222006
016	MORSETTIERA	Terminal board	365940253	365940253	365940254	365940254
017	COPRIMORSETTIERA	Terminal box cover	363232057			
018	ANELLO "V"	"V" seal ring	367650157	367650157	367650156	367650156
019	CUSCINETTO	Bearing	360326203	360326203	360326204	360326204
020	CUSCINETTO	Bearing	360306202	360306202	360326203	360326203
021	ANELLO COMPENSATORE	Adjusting ring	360600035	360600035	360600040	360600040
022	TIRANTE	Tie rod	369393018 (6)	369305190 (6)	369393019 (6)	369393019 (6)
023	CONDENSATORE	Capacitor	361404315	361404315	361402350	361402400
024	TAPPO	Priming plug	375192107			
025	TAPPO	Drain plug	375192107			
026-K	ANELLO OR	"O" ring	364500006			
027-K	ANELLO OR	"O" ring	364500006			
031	DIST.DISCO TENUTA	Thrust flange	371434019	371434019	371434020	371434020
032-K	LINGUETTA	Key	364500006			
034-K	DADO GIRANTE	Impeller nut	364500006			
036	CAMICIA MOTORE	External motor casing	255402077	255402026	255402063	255402063
056	GUARNIZIONE	Box gasket	364700800			
058	PRESSACAVO	Cable entry	366550010			
059	PRESSACAVO	Cable entry	366550009			
072-K	ANELLO RASAMENTO	Casing ring	364500006			
073-K	ANELLO RASAMENTO	Casing ring	364500006			

2CD	70/10-70/12-70/15-70/20-200/30-200/40-200/50	K	CAR/CER/VITON H VERSION CODE NUMB.364500007
	70/10-70/12-70/15-70/20-200/30-200/40-200/50		SIC/SIC/VITON HS VERSION CODE NUMB.364500009
	120/15-120/20-120/30-120/40		CAR/CER/VITON H VERSION CODE NUMB.364500008
	120/15-120/20-120/30-120/40		SIC/SIC/VITON HS VERSION CODE NUMB.364500010

Pos.	Denominazione	Part name	2CDM/A 70/10	2CDM/A 70/12	2CDM/A 70/15	2CDM 70/20
			1979100000A	1979120000A	1979150000A	1979200000
075	RONDELLA TAPPO	Washer	367667000			
076	RONDELLA TAPPO	Washer	367667000			
077-K	ANELLO OR	"O" ring	364500006			
078-K	ANELLO OR	"O" ring	364500006			
079	DISTANZIALE DIFFUSORE	Spacer diffuser	251434026	251434028		
093	ANELLO TEN. LATO VENT.	Lip seal	360991527	360991529		
097	PASSACAVO	Bushing	366650114			
098	PASS. CASSA MOTORE	Bushing	366650112	366650113		
102	COPERCHIO DIFF.	Suction cover	251424008	251424012		
103	COPERCHIO CONVOGLIAT	Conveyor cover	251402068	251402089		
105	DISTANZ.GIRANTE	Sleeve	374434027			
110	MOTOPROTETTORE	Protector	369450503	369450502
200	VITE	Screw	369644000 (8)			369641002 (8)

2CD	70/10-70/12-70/15-70/20-200/30-200/40-200/50	K	CAR/CER/VITON H VERSION CODE NUMB.364500007
	70/10-70/12-70/15-70/20-200/30-200/40-200/50		SIC/SIC/VITON HS VERSION CODE NUMB.364500009
	120/15-120/20-120/30-120/40		CAR/CER/VITON H VERSION CODE NUMB.364500008
	120/15-120/20-120/30-120/40		SIC/SIC/VITON HS VERSION CODE NUMB.364500010

DWG N° 01319

(n)=Quantità per pompa / Quantity for pump

K=kit

Pos.	Denominazione	Part name	2CDM/A 120/15	2CDM 120/20
			1989150000A	1989200000
001	CORPO POMPA	Casing		251420694
003	SUPPORTO MOTORE	Motor bracket		251402116
004	DISCO P/TENUTA	Casing cover		251402069
006	ALBERO ROTORE	Shaft with rotor	275412236	275412237
007	GIRANTE	Impeller	251450003	251450004
008	GIRANTE	Impeller		251450003
009	DIFFUSORE	Diffuser		251435024
011-K	TENUTA PARTE FISSA	Mechanical seal fixed		364500006
011-K	TENUTA PARTE ROTANTE	Mechanical seal rolling		364500006
012	CASSA	Motor frame	257930850	257930214
013	COPERCHIO MOTORE	Motor cover		230225008
014	VENTOLA	Fan		369950008
015	COPRIVENTOLA	Fan cover		362222006
016	MORSETTIERA	Terminal board		365940254
017	COPRIMORSETTIERA	Terminal box cover		363232057
018	ANELLO "V"	"V" seal ring		367650156
019	CUSCINETTO	Bearing		360326204
020	CUSCINETTO	Bearing		360326203
021	ANELLO COMPENSATORE	Adjusting ring		360600040
022	TIRANTE	Tie rod		369393019 (6)
023	CONDENSATORE	Capacitor	361402350	361402400
024	TAPPO	Priming plug		375192107
025	TAPPO	Drain plug		375192107
026-K	ANELLO OR	"O" ring		364500006
027-K	ANELLO OR	"O" ring		364500006
031	DIST.DISCO TENUTA	Thrust flange		371434020
032-K	LINGUETTA	Key		364500006
034-K	DADO GIRANTE	Impeller nut		364500006
036	CAMICIA MOTORE	External motor casing		255402031
056	GUARNIZIONE	Box gasket		364700800
058	PRESSACAVO	Cable entry		366550010
059	PRESSACAVO	Cable entry		366550009
072-K	ANELLO RASAMENTO	Casing ring		364500006
073-K	ANELLO RASAMENTO	Casing ring		364500006

2CD	70/10-70/12-70/15-70/20-200/30-200/40-200/50	K	CAR/CER/VITON H VERSION CODE NUMB.364500007
	70/10-70/12-70/15-70/20-200/30-200/40-200/50		SIC/SIC/VITON HS VERSION CODE NUMB.364500009
	120/15-120/20-120/30-120/40		CAR/CER/VITON H VERSION CODE NUMB.364500008
	120/15-120/20-120/30-120/40		SIC/SIC/VITON HS VERSION CODE NUMB.364500010

DWG N° 01319

(n)=Quantità per pompa / Quantity for pump

K=kit

Pos.	Denominazione	Part name	2CDM/A 120/15	2CDM 120/20
			1989150000A	1989200000
075	RONDELLA TAPPO	Washer		367667000
076	RONDELLA TAPPO	Washer		367637000
077-K	ANELLO OR	"O" ring		364500006
078-K	ANELLO OR	"O" ring		364500006
079	DISTANZIALE DIFFUSORE	Spacer diffuser		251434026
093	ANELLO TEN. LATO VENT.	Lip seal		360991529
097	PASSACAVO	Bushing		366650114
098	PASS. CASSA MOTORE	Bushing		366650113
102	COPERCHIO DIFF.	Suction cover		251424008
103	COPERCHIO CONVOGLIAT	Conveyor cover		251402066
105	DISTANZ.GIRANTE	Sleeve		374434027
110	MOTOPROTETTORE	Protector	369450503	369450502
200	VITE	Screw	369644000 (8)	

2CD	70/10-70/12-70/15-70/20-200/30-200/40-200/50	K	CAR/CER/VITON H VERSION CODE NUMB.364500007
	70/10-70/12-70/15-70/20-200/30-200/40-200/50		SIC/SIC/VITON HS VERSION CODE NUMB.364500009
	120/15-120/20-120/30-120/40		CAR/CER/VITON H VERSION CODE NUMB.364500008
	120/15-120/20-120/30-120/40		SIC/SIC/VITON HS VERSION CODE NUMB.364500010

DWG N° 01319

(n)=Quantità per pompa / Quantity for pump

K=kit

Pos.	Denominazione	Part name	2CD 70/10	2CD 70/12	2CD 70/15	2CD 70/20	2CD 120/15	
			1979100004	1979120004	1979150004	1979200004	1989150004	
001	CORPO POMPA	Casing	251420688		251420692		251420694	
003	SUPPORTO MOTORE	Motor bracket	251402115		251402117		251402116	
004	DISCO P/TENUTA	Casing cover	251402069		251402065	251402065	251402069	
006	ALBERO ROTORE	Shaft with rotor	275412187	275412188	275412234	275412236	275412234	
007	GIRANTE	Impeller	251450000		251450721		251450003	
008	GIRANTE	Impeller	251450720		251450721	251450002	251450003	
009	DIFFUSORE	Diffuser	251435024		251435026		251435024	
011-K	TENUTA PARTE FISSA	Mechanical seal fixed	364500006					
011-K	TENUTA PARTE ROTANTE	Mechanical seal rolling	364500006					
012	CASSA	Motor frame	257930219	257930519	257930813	257931014	257930813	
013	COPERCHIO MOTORE	Motor cover	230225006			230225008		
014	VENTOLA	Fan	369950002			369950008		
015	COPRIVENTOLA	Fan cover	362222001			362222006		
016	MORSETTIERA	Terminal board	365940256					
017	COPRIMORSETTIERA	Terminal box cover	363232057					
018	ANELLO "V"	"V" seal ring	367650157		367650156			
019	CUSCINETTO	Bearing	360326203		360326204			
020	CUSCINETTO	Bearing	360306202		360326203			
021	ANELLO COMPENSATORE	Adjusting ring	360600035		360600040			
022	TIRANTE	Tie rod	369393018 (6)		369393025 (6)	369393019 (6)	369393025 (6)	
024	TAPPO	Priming plug	375192107					
025	TAPPO	Drain plug	375192107					
026-K	ANELLO OR	"O" ring	364500006					
027-K	ANELLO OR	"O" ring	364500006					
031	DIST.DISCO TENUTA	Thrust flange	371434019		371434020			
032-K	LINGUETTA	Key	364500006					
034-K	DADO GIRANTE	Impeller nut	364500006					
036	CAMICIA MOTORE	External motor casing	255402059		255402101	255402062	255402091	
049	TAPPO DI CHIUSURA	Plug	369200550					
056	GUARNIZIONE	Box gasket	364700800					
058	PRESSACAVO	Cable entry	366550010					
072-K	ANELLO RASAMENTO	Casing ring	364500006					
073-K	ANELLO RASAMENTO	Casing ring	364500006					
075	RONDELLA TAPPO	Washer	367667000					

2CD	70/10-70/12-70/15-70/20-200/30-200/40-200/50	K	CAR/CER/VITON H VERSION CODE NUMB.364500007
	70/10-70/12-70/15-70/20-200/30-200/40-200/50		SIC/SIC/VITON HS VERSION CODE NUMB.364500009
	120/15-120/20-120/30-120/40		CAR/CER/VITON H VERSION CODE NUMB.364500008
	120/15-120/20-120/30-120/40		SIC/SIC/VITON HS VERSION CODE NUMB.364500010

DWG N° 01319

(n)=Quantità per pompa / Quantity for pump

K=kit

Pos.	Denominazione	Part name	2CD 70/10	2CD 70/12	2CD 70/15	2CD 70/20	2CD 120/15	
			1979100004	1979120004	1979150004	1979200004	1989150004	
076	RONDELLA TAPPO	Washer	367667000					
077-K	ANELLO OR	"O" ring	364500006					
078-K	ANELLO OR	"O" ring	364500006					
079	DISTANZIALE DIFFUSORE	Spacer diffuser	251434026		251434028		251434026	
093	ANELLO TEN. LATO VENT.	Lip seal	360991527			360991529		
097	PASSACAVO	Bushing	366650114					
098	PASS. CASSA MOTORE	Bushing	366650112			366650113		
102	COPERCHIO DIFF.	Suction cover	251424008		251424012		251424008	
103	COPERCHIO CONVOGLIAT	Conveyor cover	251402068		251402089		251402066	
105	DISTANZ.GIRANTE	Sleeve	374434027					
200	VITE	Screw	369644000 (8)					

2CD	70/10-70/12-70/15-70/20-200/30-200/40-200/50	K	CAR/CER/VITON H VERSION CODE NUMB.364500007
	70/10-70/12-70/15-70/20-200/30-200/40-200/50		SIC/SIC/VITON HS VERSION CODE NUMB.364500009
	120/15-120/20-120/30-120/40		CAR/CER/VITON H VERSION CODE NUMB.364500008
	120/15-120/20-120/30-120/40		SIC/SIC/VITON HS VERSION CODE NUMB.364500010

DWG N° 01319

(n)=Quantità per pompa / Quantity for pump

K=kit

Pos.	Denominazione	Part name	2CD 120/20
			1989200004
001	CORPO POMPA	Casing	251420694
003	SUPPORTO MOTORE	Motor bracket	251402116
004	DISCO P/TENUTA	Casing cover	251402069
006	ALBERO ROTORE	Shaft with rotor	275412236
007	GIRANTE	Impeller	251450004
008	GIRANTE	Impeller	251450003
009	DIFFUSORE	Diffuser	251435024
011-K	TENUTA PARTE FISSA	Mechanical seal fixed	364500006
011-K	TENUTA PARTE ROTANTE	Mechanical seal rolling	364500006
012	CASSA	Motor frame	257931014
013	COPERCHIO MOTORE	Motor cover	230225008
014	VENTOLA	Fan	369950008
015	COPRIVENTOLA	Fan cover	362222006
016	MORSETTIERA	Terminal board	365950326
017	COPRIMORSETTIERA	Terminal box cover	363232057
018	ANELLO "V"	"V" seal ring	367650156
019	CUSCINETTO	Bearing	360326204
020	CUSCINETTO	Bearing	360326203
021	ANELLO COMPENSATORE	Adjusting ring	360600040
022	TIRANTE	Tie rod	369393019 (6)
024	TAPPO	Priming plug	375192107
025	TAPPO	Drain plug	375192107
026-K	ANELLO OR	"O" ring	364500006
027-K	ANELLO OR	"O" ring	364500006
031	DIST.DISCO TENUTA	Thrust flange	371434020
032-K	LINGUETTA	Key	364500006
034-K	DADO GIRANTE	Impeller nut	364500006
036	CAMICIA MOTORE	External motor casing	255402034
049	TAPPO DI CHIUSURA	Plug	369200550
056	GUARNIZIONE	Box gasket	364700800
058	PRESSACAVO	Cable entry	366550010
072-K	ANELLO RASAMENTO	Casing ring	364500006
073-K	ANELLO RASAMENTO	Casing ring	364500006
075	RONDELLA TAPPO	Washer	367667000

2CD	70/10-70/12-70/15-70/20-200/30-200/40-200/50	K	CAR/CER/VITON H VERSION CODE NUMB.364500007
	70/10-70/12-70/15-70/20-200/30-200/40-200/50		SIC/SIC/VITON HS VERSION CODE NUMB.364500009
	120/15-120/20-120/30-120/40		CAR/CER/VITON H VERSION CODE NUMB.364500008
	120/15-120/20-120/30-120/40		SIC/SIC/VITON HS VERSION CODE NUMB.364500010

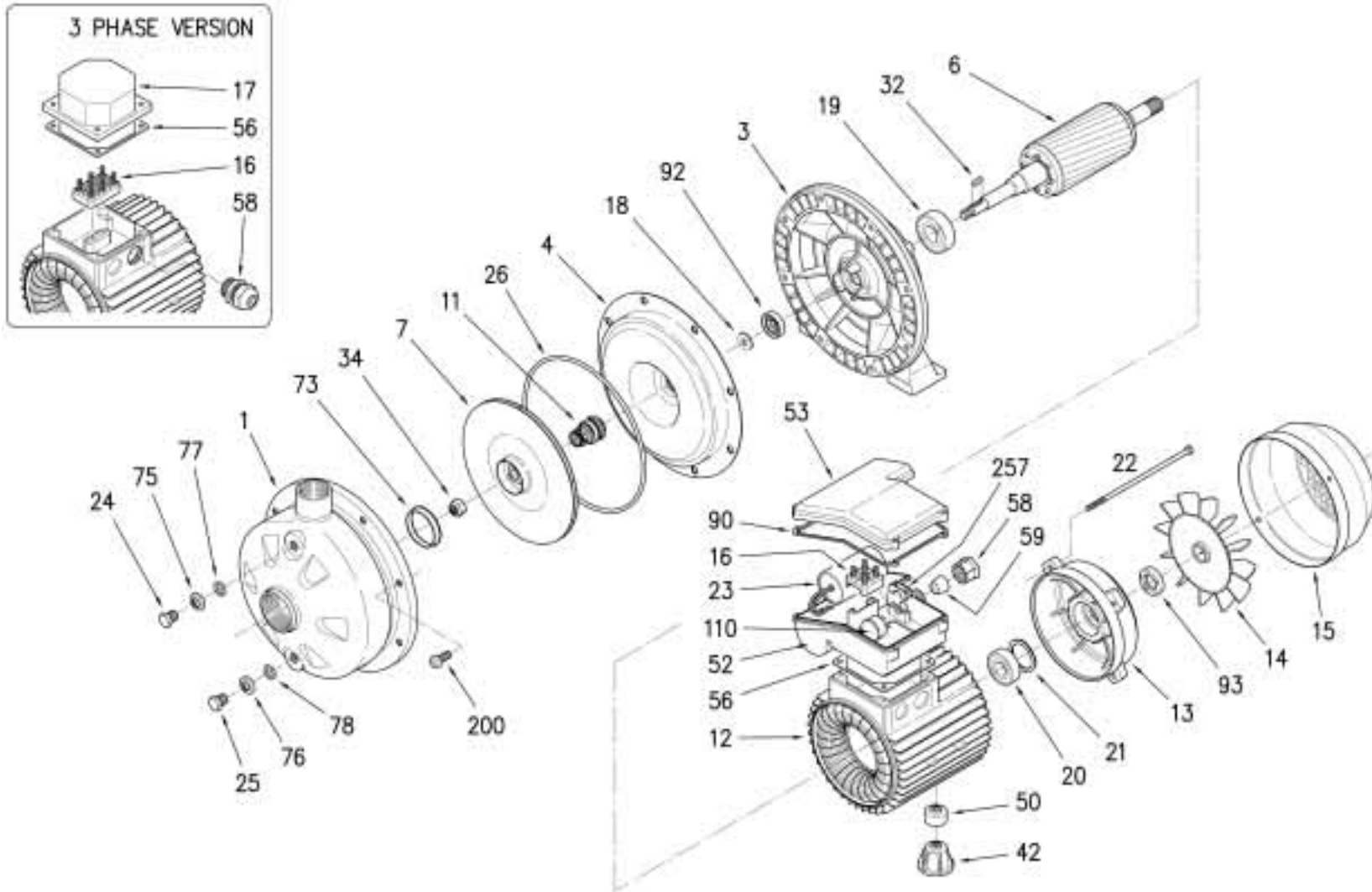
Pos.	Denominazione	Part name	2CD 120/20
			1989200004
076	RONDELLA TAPPO	Washer	367667000
077-K	ANELLO OR	"O" ring	364500006
078-K	ANELLO OR	"O" ring	364500006
079	DISTANZIALE DIFFUSORE	Spacer diffuser	251434026
093	ANELLO TEN. LATO VENT.	Lip seal	360991529
097	PASSACAVO	Bushing	366650114
098	PASS. CASSA MOTORE	Bushing	366650113
102	COPERCHIO DIFF.	Suction cover	251424008
103	COPERCHIO CONVOGLIAT	Conveyor cover	251402066
105	DISTANZ.GIRANTE	Sleeve	374434027
200	VITE	Screw	369644000 (8)

2CD	70/10-70/12-70/15-70/20-200/30-200/40-200/50	K	CAR/CER/VITON H VERSION CODE NUMB.364500007
	70/10-70/12-70/15-70/20-200/30-200/40-200/50		SIC/SIC/VITON HS VERSION CODE NUMB.364500009
	120/15-120/20-120/30-120/40		CAR/CER/VITON H VERSION CODE NUMB.364500008
	120/15-120/20-120/30-120/40		SIC/SIC/VITON HS VERSION CODE NUMB.364500010

DWG N° 01319

(n)=Quantità per pompa / Quantity for pump

K=kit



Pos.	Denominazione	Part name	CDXM/A 70/05	CDXM/A 70/07	CDXM/A 90/10	CDXM/A 120/07	CDXM/A 120/12	
			1615050000	1615090000	1615100500	1625090000	1625100000	
001	CORPO POMPA	Casing	251419025				251419022	
003	SUPPORTO MOTORE	Motor bracket	240280545					
004	DISCO P/TENUTA	Casing cover	251438005					
006	ALBERO ROTORE	Shaft with rotor	275412550	275412551	275412084	275412551	275412085	
007	GIRANTE	Impeller	251450000	251450001		251450003	251450004	
011-K	TENUTA PARTE FISSA	Mechanical seal fixed	364500003					
011-K	TENUTA PARTE ROTANTE	Mechanical seal rolling	364500003					
012	CASSA	Motor frame	277930751	277930753	277930174	277930753	277930173	
013	COPERCHIO MOTORE	Motor cover	230225071					
014	VENTOLA	Fan	369950002					
015	COPRIVENTOLA	Fan cover	362250071					
016	MORSETTIERA	Terminal box	365940253					
018-K	RONDELLA PARASPRUZZI	Splash ring	364500003					
019	CUSCINETTO	Bearing	360306203					
020	CUSCINETTO	Bearing	360306202					
021	ANELLO COMPENSATORE	Adjusting ring	360600035					
022	TIRANTE	Tie rod	369305135 (4)					
023	CONDENSATORE	Capacitor	361402125	361402160	361402200	361402160	361402315	
024	TAPPO	Priming plug	375192107					
025	TAPPO	Drain plug	375192107					
026-K	ANELLO OR	"O" ring	364500003					
032-K	LINGUETTA	Key	364500003					
034-K	DADO GIRANTE	Impeller nut	364500003					
042	PIEDINO	Foot	371415013					
050	DISTANZIALE	Spacer	
052	SCATOLA P/COND.	Terminal box	363200550				363200202	
053	COPERCHIO SCATOLA	Terminal cover	363201104				363201101	
056	GUARNIZIONE	Box gasket	364700810					
058	PRESSACAVO	Cable entry	363201200				363201201	
059	GUARNIZIONE CONICA	Conic gasket	363201300				363201301	
073-K	ANELLO RASAMENTO	Casing ring	364500003					
075	RONDELLA TAPPO	Washer	367667000					
076	RONDELLA TAPPO	Washer	360991522					
077-K	ANELLO OR	"O" ring	364500003					
078-K	ANELLO OR	"O" ring	364500003					
090	GUARNIZIONE	Box gasket	364701515				364701520	
092	ANELLO TEN. LATO POMP.	Lip seal	360991522					
093	ANELLO TEN. LATO VENT.	Lip seal	360991522					
110	MOTOPROTETTORE	Protector	
200	VITE	Screw	369600023 (8)					
257	FERMACAVO	Wire clamp	366550011				366550012	

K	CAR/CER/VITON H VERSION CODE NUMBER 364500004
	SIC/SIC/VITON HS VERSION CODE NUMBER 364500005

Pos.	Denominazione	Part name	CDXM/B 120/20	CDXM/A 200/12	CDXM/B 200/20
			1625200000B	1635100000	1635200000B
001	CORPO POMPA	Casing	251419023	251419017	
003	SUPPORTO MOTORE	Motor bracket	240280563	240280545	240280546
004	DISCO P/TENUTA	Casing cover	251438006	251438005	
006	ALBERO ROTORE	Shaft with rotor	276312758	275412085	276312758
007	GIRANTE	Impeller	251450005	251450006	251450007
011-K	TENUTA PARTE FISSA	Mechanical seal fixed	364500003		
011-K	TENUTA PARTE ROTANTE	Mechanical seal rolling	364500003		
012	CASSA	Motor frame	277930234	277930173	277930234
013	COPERCHIO MOTORE	Motor cover	230225089	230225071	230225089
014	VENTOLA	Fan	369950008	369950002	369950008
015	COPRIVENTOLA	Fan cover	362250080	362250071	362250080
016	MORSETTIERA	Terminal box	365940254	365940253	365940254
018-K	RONDELLA PARASPRUZZI	Splash ring	364500003		
019	CUSCINETTO	Bearing	360306204	360306203	360306204
020	CUSCINETTO	Bearing	360306203	360306202	360306203
021	ANELLO COMPENSATORE	Adjusting ring	360600040	360600035	360600040
022	TIRANTE	Tie rod	369305161 (4)	369305135 (4)	369305161 (4)
023	CONDENSATORE	Capacitor	361401400	361402315	361401400
024	TAPPO	Priming plug	375192107		
025	TAPPO	Drain plug	375192107		
026-K	ANELLO OR	"O" ring	364500003		
032-K	LINGUETTA	Key	364500003		
034-K	DADO GIRANTE	Impeller nut	364500003		
042	PIEDINO	Foot	371415015	371415013	371415015
050	DISTANZIALE	Spacer	371415018
052	SCATOLA P/COND.	Terminal box	363200201	363200202	363200201
053	COPERCHIO SCATOLA	Terminal cover	363201101		
056	GUARNIZIONE	Box gasket	364700811	364700810	364700811
058	PRESSACAVO	Cable entry	363201201		
059	GUARNIZIONE CONICA	Conic gasket	363201301		
073-K	ANELLO RASAMENTO	Casing ring	364500003		
075	RONDELLA TAPPO	Washer	367667000		
076	RONDELLA TAPPO	Washer	360991522		
077-K	ANELLO OR	"O" ring	364500003		
078-K	ANELLO OR	"O" ring	364500003		
090	GUARNIZIONE	Box gasket	364701520		
092	ANELLO TEN. LATO POMP.	Lip seal	360991522		
093	ANELLO TEN. LATO VENT.	Lip seal	360991529	360991522	360991529
110	MOTOPROTETTORE	Protector	369450506	369450506
200	VITE	Screw	369641003 (8)	369600023 (8)	369600023 (12)
257	FERMACAVO	Wire clamp	366550012		

K	CAR/CER/VITON H VERSION CODE NUMBER 364500004
	SIC/SIC/VITON HS VERSION CODE NUMBER 364500005

Pos.	Denominazione	Part name	CDX/A 70/05	CDX/A 70/07	CDX/A 90/10	CDX/A 120/07	CDX/A 120/12	
			1615050004	1615090004	1615100504	1625090004	1625100004	
001	CORPO POMPA	Casing	251419025					
003	SUPPORTO MOTORE	Motor bracket	240280545					
004	DISCO P/TENUTA	Casing cover	251438005					
006	ALBERO ROTORE	Shaft with rotor	275412550	275412551	275412084	275412551	275412085	
007	GIRANTE	Impeller	251450000	251450001		251450003	251450004	
011-K	TENUTA PARTE FISSA	Mechanical seal fixed	364500003					
011-K	TENUTA PARTE ROTANTE	Mechanical seal rolling	364500003					
012	CASSA	Motor frame	277930750	277930752	277930180	277930752	277930181	
013	COPERCHIO MOTORE	Motor cover	230225071					
014	VENTOLA	Fan	369950002					
015	COPRIVENTOLA	Fan cover	362250071					
016	MORSETTIERA	Terminal box	365940256					
018-K	RONDELLA PARASPRUZZI	Splash ring	364500003					
019	CUSCINETTO	Bearing	360306203					
020	CUSCINETTO	Bearing	360306202					
021	ANELLO COMPENSATORE	Adjusting ring	360600035					
022	TIRANTE	Tie rod	369305135 (4)					
024	TAPPO	Priming plug	375192107					
025	TAPPO	Drain plug	375192107					
026-K	ANELLO OR	"O" ring	364500003					
032-K	LINGUETTA	Key	364500003					
034-K	DADO GIRANTE	Impeller nut	364500003					
042	PIEDINO	Foot	371415013					
050	DISTANZIALE	Spacer					
056	GUARNIZ.COPRIMOR.	Box gasket	364700810					
058	PRESSACAVO	Cable entry	366550010					
073-K	ANELLO RASAMENTO	Casing ring	364500003					
075	RONDELLA TAPPO	Washer	367667000					
076	RONDELLA TAPPO	Washer	367667000					
077-K	ANELLO OR	"O" ring	364500003					
078-K	ANELLO OR	"O" ring	364500003					
092	ANELLO TEN. LATO POMP.	Lip seal	360991522					
093	ANELLO TEN. LATO VENT.	Lip seal	360991522					
200	VITE	Screw	369600023 (8)					

K	CAR/CER/VITON H VERSION CODE NUMBER 364500004
	SIC/SIC/VITON HS VERSION CODE NUMBER 364500005

(n)=Quantità per pompa / Quantity for pump
K=kit

DWG N° 01380

Pos.	Denominazione	Part name	CDX/A 120/20	CDX/A 200/12	CDX/A 200/20	CDX/B 200/25
			1625200004	1635100004	1635200004	1635250004B
001	CORPO POMPA	Casing	251419023	251419017	251419017	251419021
003	SUPPORTO MOTORE	Motor bracket	240280563	240280545	240280546	240280563
004	DISCO P/TENUTA	Casing cover	251438006	251438005	251438005	251438006
006	ALBERO ROTORE	Shaft with rotor	275412227	275412085	275412227	275412702
007	GIRANTE	Impeller	251450005	251450006	251450007	251450008
011-K	TENUTA PARTE FISSA	Mechanical seal fixed	364500003			
011-K	TENUTA PARTE ROTANTE	Mechanical seal rolling	364500003			
012	CASSA	Motor frame	277930220	277930181	277930220	277930236
013	COPERCHIO MOTORE	Motor cover	230225072	230225071	230225072	230225089
014	VENTOLA	Fan	369950008	369950002	369950008	
015	COPRIVENTOLA	Fan cover	362250080	362250071	362250080	
016	MORSETTIERA	Terminal box	365950326	365940256	365950326	
018-K	RONDELLA PARASPRUZZI	Splash ring	364500003			
019	CUSCINETTO	Bearing	360306204	360306203		360306204
020	CUSCINETTO	Bearing	360306203	360306202		360306203
021	ANELLO COMPENSATORE	Adjusting ring	360600040	360600035		360600040
022	TIRANTE	Tie rod	369305148 (4)	369305135 (4)	369305148 (4)	369305161 (4)
024	TAPPO	Priming plug	375192107			
025	TAPPO	Drain plug	375192107			
026-K	ANELLO OR	"O" ring	364500003			
032-K	LINGUETTA	Key	364500003			
034-K	DADO GIRANTE	Impeller nut	364500003			
042	PIEDINO	Foot	371415015	371415013		371415015
050	DISTANZIALE	Spacer	371415018	371415018
056	GUARNIZ.COPRIMOR.	Box gasket	364700811	364700810		364700811
058	PRESSACAVO	Cable entry	366550010			
073-K	ANELLO RASAMENTO	Casing ring	364500003			
075	RONDELLA TAPPO	Washer	367667000			
076	RONDELLA TAPPO	Washer	367667000			
077-K	ANELLO OR	"O" ring	364500003			
078-K	ANELLO OR	"O" ring	364500003			
092	ANELLO TEN. LATO POMP.	Lip seal	360991522			
093	ANELLO TEN. LATO VENT.	Lip seal	360991529	360991522	360991529	360991529
200	VITE	Screw	369641003 (8)	369600023 (8)		369641003 (8)

K	CAR/CER/VITON H VERSION CODE NUMBER 364500004
	SIC/SIC/VITON HS VERSION CODE NUMBER 364500005

(n)=Quantità per pompa / Quantity for pump
K=kit

DWG N° 01380

Pos.	Denominazione	Part name	2CDXM/A 70/10	2CDXM/A 70/12	2CDXM/B 70/15	2CDXM/B 70/20	2CDXM/B 120/15	
			1611100000	1611120000	1611150000B	1611200000B	1621150000B	
001	CORPO POMPA	Casing	251420688		251420692		251420694	
003	SUPPORTO MOTORE	Motor bracket	240280545		240280563		240280546	
004	DISCO P/TENUTA	Casing cover	251402069		251402065		251402069	
006	ALBERO ROTORE	Shaft with rotor	275412189	275412190	275312232	276312700	275312232	
007	GIRANTE	Impeller	251450000		251450721		251450003	
008	GIRANTE	Impeller	251450720		251450721	251450002	251450003	
009	DIFFUSORE	Diffuser	251435024		251435026		251435024	
011-K	TENUTA PARTE FISSA	Mechanical seal fixed	364500006					
011-K	TENUTA PARTE ROTANTE	Mechanical seal rolling	364500006					
012	CASSA	Motor frame	277930174	277930173	277930015	277930234	277930015	
013	COPERCHIO MOTORE	Motor cover	230225071		230225072	230225089	230225072	
014	VENTOLA	Fan	369950002			369950008		
015	COPRIVENTOLA	Fan cover	362250071			362250080		
016	MORSETTIERA	Terminal box	365940253			365940254		
018-K	RONDELLA PARASPRUZZI	Splash ring	364500006					
019	CUSCINETTO	Bearing	360306203		360306204			
020	CUSCINETTO	Bearing	360306202		360306203			
021	ANELLO COMPENSATORE	Adjusting ring	360600035		360600040			
022	TIRANTE	Tie rod	369305135 (4)		369305148 (4)	369305161 (4)	369305148 (4)	
023	CONDENSATORE	Capacitor	361402200	361402315	361401350	361401400	361401350	
024	TAPPO	Priming plug	375192107					
025	TAPPO	Drain plug	375192107					
026-K	ANELLO OR	"O" ring	364500006					
027-K	ANELLO OR	"O" ring	364500006					
032-K	LINGUETTA	Key	364500006					
034-K	DADO GIRANTE	Impeller nut	364500006					
042	PIEDINO	Foot	371415013		371415015			
050	DISTANZIALE	Spacer	371415018		
052	SCATOLA P/COND.	Terminal box	363200550	363200202	363200201			
053	COPERCHIO SCATOLA	Terminal cover	363201104		363201101			
056	GUARNIZIONE	Box gasket	364700810			364700811		
058	PRESSACAVO	Cable entry	363201200		363201201			
059	GUARNIZIONE CONICA	Conic gasket	363201300		363201301			
072-K	ANELLO RASAMENTO	Casing ring	364500006					

2CDX	70/10-70/12-70/15-70/20-200/30-200/40-200/50	K	CAR/CER/VITON H VERSION CODE NUMB.364500007
	70/10-70/12-70/15-70/20-200/30-200/40-200/50		SIC/SIC/VITON HS VERSION CODE NUMB.364500009
	120/15-120/20-120/30-120/40		CAR/CER/VITON H VERSION CODE NUMB.364500008
	120/15-120/20-120/30-120/40		SIC/SIC/VITON HS VERSION CODE NUMB.364500010

Pos.	Denominazione	Part name	2CDXM/A 70/10	2CDXM/A 70/12	2CDXM/B 70/15	2CDXM/B 70/20	2CDXM/B 120/15	
			1611100000	1611120000	1611150000B	1611200000B	1621150000B	
073-K	ANELLO RASAMENTO	Casing ring	364500006					
075	RONDELLA TAPPO	Washer	367667000					
076	RONDELLA TAPPO	Washer	367667000					
077-K	ANELLO OR	"O" ring	364500006					
078-K	ANELLO OR	"O" ring	364500006					
079	DISTANZIALE DIFFUSORE	Spacer diffuser	251434026		251434028		251434026	
090	GUARNIZIONE	Box gasket	364701515	364701520				
092	ANELLO TEN. LATO POMP.	Lip seal	360991522					
093	ANELLO TEN. LATO VENT.	Lip seal	360991522			360991529		
102	COPERCHIO DIFF.	Suction cover	251424008		251424012		251424008	
103	COPERCHIO CONVOGLIAT	Conveyor cover	251402068		251402089		251402066	
105	DISTANZ.GIRANTE	Sleeve	374434027					
110	MOTOPROTETTORE	Protector	369450503	369450506	369450503	
200	VITE	Screw	369600023 (8)		369641003 (8)		369600023 (8)	
257	FERMACAVO	Wire clamp	366550011		366550012			

2CDX	70/10-70/12-70/15-70/20-200/30-200/40-200/50	K	CAR/CER/VITON H VERSION CODE NUMB.364500007
	70/10-70/12-70/15-70/20-200/30-200/40-200/50		SIC/SIC/VITON HS VERSION CODE NUMB.364500009
	120/15-120/20-120/30-120/40		CAR/CER/VITON H VERSION CODE NUMB.364500008
	120/15-120/20-120/30-120/40		SIC/SIC/VITON HS VERSION CODE NUMB.364500010

DWG N° 01320

(n)=Quantità per pompa / Quantity for pump

K=kit

Pos.	Denominazione	Part name	2CDXM/B 120/20	
				162120000B
001	CORPO POMPA	Casing		251420694
003	SUPPORTO MOTORE	Motor bracket		240280546
004	DISCO P/TENUTA	Casing cover		251402069
006	ALBERO ROTORE	Shaft with rotor		276312700
007	GIRANTE	Impeller		251450004
008	GIRANTE	Impeller		251450003
009	DIFFUSORE	Diffuser		251435024
011-K	TENUTA PARTE FISSA	Mechanical seal fixed		364500006
011-K	TENUTA PARTE ROTANTE	Mechanical seal rolling		364500006
012	CASSA	Motor frame		277930234
013	COPERCHIO MOTORE	Motor cover		230225089
014	VENTOLA	Fan		369950008
015	COPRIVENTOLA	Fan cover		362250080
016	MORSETTIERA	Terminal box		365940254
018-K	RONDELLA PARASPRUZZI	Splash ring		364500004
019	CUSCINETTO	Bearing		360306204
020	CUSCINETTO	Bearing		360306203
021	ANELLO COMPENSATORE	Adjusting ring		360600040
022	TIRANTE	Tie rod		369305161 (4)
023	CONDENSATORE	Capacitor		361401400
024	TAPPO	Priming plug		375192107
025	TAPPO	Drain plug		375192107
026-K	ANELLO OR	"O" ring		364500006
027-K	ANELLO OR	"O" ring		364500006
032-K	LINGUETTA	Key		364500006
034-K	DADO GIRANTE	Impeller nut		364500006
042	PIEDINO	Foot		371415015
050	DISTANZIALE	Spacer	
052	SCATOLA P/COND.	Terminal box		363200201
053	COPERCHIO SCATOLA	Terminal cover		363201101
056	GUARNIZIONE	Box gasket		364700811
058	PRESSACAVO	Cable entry		363201201
059	GUARNIZIONE CONICA	Conic gasket		363201301
072-K	ANELLO RASAMENTO	Casing ring		364500006

2CDX	70/10-70/12-70/15-70/20-200/30-200/40-200/50	K	CAR/CER/VITON H VERSION CODE NUMB.364500007
	70/10-70/12-70/15-70/20-200/30-200/40-200/50		SIC/SIC/VITON HS VERSION CODE NUMB.364500009
	120/15-120/20-120/30-120/40		CAR/CER/VITON H VERSION CODE NUMB.364500008
	120/15-120/20-120/30-120/40		SIC/SIC/VITON HS VERSION CODE NUMB.364500010

Pos.	Denominazione	Part name	2CDXM/B 120/20	
			1621200000B	
073-K	ANELLO RASAMENTO	Casing ring		364500006
075	RONDELLA TAPPO	Washer		367667000
076	RONDELLA TAPPO	Washer		367667000
077-K	ANELLO OR	"O" ring		364500006
078-K	ANELLO OR	"O" ring		364500006
079	DISTANZIALE DIFFUSORE	Spacer diffuser		251434026
090	GUARNIZIONE	Box gasket		364701520
092	ANELLO TEN. LATO POMP.	Lip seal		360991522
093	ANELLO TEN. LATO VENT.	Lip seal		360991529
102	COPERCHIO DIFF.	Suction cover		251424008
103	COPERCHIO CONVOGLIAT	Conveyor cover		251402066
105	DISTANZ.GIRANTE	Sleeve		374434027
110	MOTOPROTETTORE	Protector		369450506
200	VITE	Screw		369600023 (8)
257	FERMACAVO	Wire clamp		366550012

2CDX	70/10-70/12-70/15-70/20-200/30-200/40-200/50	K	CAR/CER/VITON H VERSION CODE NUMB.364500007
	70/10-70/12-70/15-70/20-200/30-200/40-200/50		SIC/SIC/VITON HS VERSION CODE NUMB.364500009
	120/15-120/20-120/30-120/40		CAR/CER/VITON H VERSION CODE NUMB.364500008
	120/15-120/20-120/30-120/40		SIC/SIC/VITON HS VERSION CODE NUMB.364500010

DWG N° 01320

(n)=Quantità per pompa / Quantity for pump

K=kit

Pos.	Denominazione	Part name	2CDX/A 70/10	2CDX/A 70/12	2CDX/A 70/15	2CDX/A 70/20	2CDX/A 120/15	
			1611100004	1611120004	1611150004	1611200004	1621150004	
001	CORPO POMPA	Casing	251420688		251420692		251420694	
003	SUPPORTO MOTORE	Motor bracket	240280545		240280563		240280546	
004	DISCO P/TENUTA	Casing cover	251402069		251402065		251402069	
006	ALBERO ROTORE	Shaft with rotor	275412189	275412190	275412246	275312232	275412246	
007	GIRANTE	Impeller	251450000		251450721		251450003	
008	GIRANTE	Impeller	251450720		251450721	251450002	251450003	
009	DIFFUSORE	Diffuser	251435024		251435026		251435024	
011-K	TENUTA PARTE FISSA	Mechanical seal fixed	364500006					
011-K	TENUTA PARTE ROTANTE	Mechanical seal rolling	364500006					
012	CASSA	Motor frame	277930180	277930181	277930801	277930220	277930801	
013	COPERCHIO MOTORE	Motor cover	230225071		230225072			
014	VENTOLA	Fan	369950002		369950008			
015	COPRIVENTOLA	Fan cover	362250071		362250080			
016	MORSETTIERA	Terminal box	365940256		365950326			
017	COPRIMORSETTIERA	Terminal box cover	363232010		363232008			
018-K	RONDELLA PARASPRUZZI	Splash ring	364500006					
019	CUSCINETTO	Bearing	360306203		360306204			
020	CUSCINETTO	Bearing	360306202		360306203			
021	ANELLO COMPENSATORE	Adjusting ring	360600035		360600040			
022	TIRANTE	Tie rod	369305135 (4)		369305148 (4)			
024	TAPPO	Priming plug	375192107					
025	TAPPO	Drain plug	375192107					
026-K	ANELLO OR	"O" ring	364500006					
027-K	ANELLO OR	"O" ring	364500006					
032-K	LINGUETTA	Key	364500006					
034-K	DADO GIRANTE	Impeller nut	364500006					
042	PIEDINO	Foot	371415013		371415015			
050	DISTANZIALE	Spacer	371415018		
056	GUARNIZIONE	Box gasket	364700810		364700811			
058	PRESSACAVO	Cable entry	366550010					
072-K	ANELLO RASAMENTO	Casing ring	364500006					
073-K	ANELLO RASAMENTO	Casing ring	364500006					
075	RONDELLA TAPPO	Washer	367667000					
076	RONDELLA TAPPO	Washer	367667000					

2CDX	70/10-70/12-70/15-70/20-200/30-200/40-200/50	K	CAR/CER/VITON H VERSION CODE NUMB.364500007
	70/10-70/12-70/15-70/20-200/30-200/40-200/50		SIC/SIC/VITON HS VERSION CODE NUMB.364500009
	120/15-120/20-120/30-120/40		CAR/CER/VITON H VERSION CODE NUMB.364500008
	120/15-120/20-120/30-120/40		SIC/SIC/VITON HS VERSION CODE NUMB.364500010

Pos.	Denominazione	Part name	2CDX/A 70/10	2CDX/A 70/12	2CDX/A 70/15	2CDX/A 70/20	2CDX/A 120/15	
			1611100004	1611120004	1611150004	1611200004	1621150004	
077-K	ANELLO OR	"O" ring	364500006					
078-K	ANELLO OR	"O" ring	364500006					
079	DISTANZIALE DIFFUSORE	Spacer diffuser	251434026		251434028		251434026	
092	ANELLO TEN. LATO POMP.	Lip seal	360991522					
093	ANELLO TEN. LATO VENT.	Lip seal	360991522		360991529			
102	COPERCHIO DIFF.	Suction cover	251424008		251424012		251424008	
103	COPERCHIO CONVOGLIAT	Conveyor cover	251402068		251402089		251402066	
105	DISTANZ.GIRANTE	Sleeve	374434027					
200	VITE	Screw	369600023 (8)		369641003 (8)		369600023 (8)	

2CDX	70/10-70/12-70/15-70/20-200/30-200/40-200/50	K	CAR/CER/VITON H VERSION CODE NUMB.364500007
	70/10-70/12-70/15-70/20-200/30-200/40-200/50		SIC/SIC/VITON HS VERSION CODE NUMB.364500009
	120/15-120/20-120/30-120/40		CAR/CER/VITON H VERSION CODE NUMB.364500008
	120/15-120/20-120/30-120/40		SIC/SIC/VITON HS VERSION CODE NUMB.364500010

DWG N° 01320

(n)=Quantità per pompa / Quantity for pump

K=kit

Pos.	Denominazione	Part name	2CDX/A 120/20	2CDX 120/30	2CDX 120/40	2CDX 200/30
			1621200004	1989300004	1989400004	1999300004
001	CORPO POMPA	Casing	251420694	251420696		251420689
003	SUPPORTO MOTORE	Motor bracket	240280546	240080565		240080564
004	DISCO P/TENUTA	Casing cover	251402069	251402065		251402069
006	ALBERO ROTORE	Shaft with rotor	275312232	275312255	275312256	275312257
007	GIRANTE	Impeller	251450004			251450007
008	GIRANTE	Impeller	251450003	251450004	251450005	251450006
009	DIFFUSORE	Diffuser	251435024	251435026		251435024
011-K	TENUTA PARTE FISSA	Mechanical seal fixed	364500006			
011-K	TENUTA PARTE ROTANTE	Mechanical seal rolling	364500006			
012	CASSA	Motor frame	277930220	277930430	277930425	
013	COPERCHIO MOTORE	Motor cover	230225072	230225504		
014	VENTOLA	Fan	369950008	369950009		
015	COPRIVENTOLA	Fan cover	362250080	362250009		
016	MORSETTIERA	Terminal box	365950326			
017	COPRIMORSETTIERA	Terminal box cover	363232008			
018-K	RONDELLA PARASPRUZZI	Splash ring	364500006			
019	CUSCINETTO	Bearing	360306204	360306305	360306205	
020	CUSCINETTO	Bearing	360306203	360306205		
021	ANELLO COMPENSATORE	Adjusting ring	360600040	360600052		
022	TIRANTE	Tie rod	369305148 (4)	369305165 (4)	369305190 (4)	
024	TAPPO	Priming plug	375192107			
025	TAPPO	Drain plug	375192107			
026-K	ANELLO OR	"O" ring	364500006			
027-K	ANELLO OR	"O" ring	364500006			
032-K	LINGUETTA	Key	364500006			
034-K	DADO GIRANTE	Impeller nut	364500006			
042	PIEDINO	Foot	371415015	371415013	371415014	
050	DISTANZIALE	Spacer
056	GUARNIZIONE	Box gasket	364700811			
058	PRESSACAVO	Cable entry	366550010	366550013		
072-K	ANELLO RASAMENTO	Casing ring	364500006			
073-K	ANELLO RASAMENTO	Casing ring	364500006			
075	RONDELLA TAPPO	Washer	367667000			
076	RONDELLA TAPPO	Washer	367667000			

2CDX	70/10-70/12-70/15-70/20-200/30-200/40-200/50	K	CAR/CER/VITON H VERSION CODE NUMB.364500007
	70/10-70/12-70/15-70/20-200/30-200/40-200/50		SIC/SIC/VITON HS VERSION CODE NUMB.364500009
	120/15-120/20-120/30-120/40		CAR/CER/VITON H VERSION CODE NUMB.364500008
	120/15-120/20-120/30-120/40		SIC/SIC/VITON HS VERSION CODE NUMB.364500010

Pos.	Denominazione	Part name	2CDX/A 120/20	2CDX 120/30	2CDX 120/40	2CDX 200/30
			1621200004	1989300004	1989400004	1999300004
077-K	ANELLO OR	"O" ring	364500006			
078-K	ANELLO OR	"O" ring	364500006			
079	DISTANZIALE DIFFUSORE	Spacer diffuser	251434026	251434028		251434026
092	ANELLO TEN. LATO POMP.	Lip seal	360991522			
093	ANELLO TEN. LATO VENT.	Lip seal	360991529	360991531		
102	COPERCHIO DIFF.	Suction cover	251424008	251424012		251424008
103	COPERCHIO CONVOGLIAT	Conveyor cover	251402066	251402071		251402066
105	DISTANZ.GIRANTE	Sleeve	374434027			
200	VITE	Screw	369600023 (8)	369641003		369600023 (8)

2CDX	70/10-70/12-70/15-70/20-200/30-200/40-200/50	K	CAR/CER/VITON H VERSION CODE NUMB.364500007
	70/10-70/12-70/15-70/20-200/30-200/40-200/50		SIC/SIC/VITON HS VERSION CODE NUMB.364500009
	120/15-120/20-120/30-120/40		CAR/CER/VITON H VERSION CODE NUMB.364500008
	120/15-120/20-120/30-120/40		SIC/SIC/VITON HS VERSION CODE NUMB.364500010

DWG N° 01320

(n)=Quantità per pompa / Quantity for pump

K=kit

Pos.	Denominazione	Part name	2CDX 200/40	2CDX 200/50
			1999400004	1999500004
001	CORPO POMPA	Casing		251420693
003	SUPPORTO MOTORE	Motor bracket	240080565	240080566
004	DISCO P/TENUTA	Casing cover		251402065
006	ALBERO ROTORE	Shaft with rotor	275312256	275312306
007	GIRANTE	Impeller	251450007	251450008
008	GIRANTE	Impeller		251450007
009	DIFFUSORE	Diffuser		251435026
011-K	TENUTA PARTE FISSA	Mechanical seal fixed		364500006
011-K	TENUTA PARTE ROTANTE	Mechanical seal rolling		364500006
012	CASSA	Motor frame	277930425	277930421
013	COPERCHIO MOTORE	Motor cover	230225504	230225507
014	VENTOLA	Fan	369950009	369950004
015	COPRIVENTOLA	Fan cover	362250009	362250100
016	MORSETTIERA	Terminal box	365950326	365956366
017	COPRIMORSETTIERA	Terminal box cover		363232008
018-K	RONDELLA PARASPRUZZI	Splash ring		364500006
019	CUSCINETTO	Bearing	360306305	360306206
020	CUSCINETTO	Bearing		360306205
021	ANELLO COMPENSATORE	Adjusting ring		360600052
022	TIRANTE	Tie rod	369305190 (4)	369306200 (4)
024	TAPPO	Priming plug		375192107
025	TAPPO	Drain plug		375192107
026-K	ANELLO OR	"O" ring		364500006
027-K	ANELLO OR	"O" ring		364500006
032-K	LINGUETTA	Key		364500006
034-K	DADO GIRANTE	Impeller nut		364500006
042	PIEDINO	Foot	371415013	371415014
050	DISTANZIALE	Spacer
056	GUARNIZIONE	Box gasket		364700811
058	PRESSACAVO	Cable entry	366550013	366550014
072-K	ANELLO RASAMENTO	Casing ring		364500006
073-K	ANELLO RASAMENTO	Casing ring		364500006
075	RONDELLA TAPPO	Washer		367667000
076	RONDELLA TAPPO	Washer		367667000

2CDX	70/10-70/12-70/15-70/20-200/30-200/40-200/50	K	CAR/CER/VITON H VERSION CODE NUMB.364500007
	70/10-70/12-70/15-70/20-200/30-200/40-200/50		SIC/SIC/VITON HS VERSION CODE NUMB.364500009
	120/15-120/20-120/30-120/40		CAR/CER/VITON H VERSION CODE NUMB.364500008
	120/15-120/20-120/30-120/40		SIC/SIC/VITON HS VERSION CODE NUMB.364500010

DWG N° 01320

(n)=Quantità per pompa / Quantity for pump

K=kit

Pos.	Denominazione	Part name	2CDX 200/40	2CDX 200/50
			1999400004	1999500004
077-K	ANELLO OR	"O" ring		364500006
078-K	ANELLO OR	"O" ring		364500006
079	DISTANZIALE DIFFUSORE	Spacer diffuser		251434028
092	ANELLO TEN. LATO POMP.	Lip seal		360991522
093	ANELLO TEN. LATO VENT.	Lip seal		360991531
102	COPERCHIO DIFF.	Suction cover		251424012
103	COPERCHIO CONVOGLIAT	Conveyor cover		251402071
105	DISTANZ.GIRANTE	Sleeve		374434027
200	VITE	Screw		369641003 (8)

2CDX	70/10-70/12-70/15-70/20-200/30-200/40-200/50	K	CAR/CER/VITON H VERSION CODE NUMB.364500007
	70/10-70/12-70/15-70/20-200/30-200/40-200/50		SIC/SIC/VITON HS VERSION CODE NUMB.364500009
	120/15-120/20-120/30-120/40		CAR/CER/VITON H VERSION CODE NUMB.364500008
	120/15-120/20-120/30-120/40		SIC/SIC/VITON HS VERSION CODE NUMB.364500010

DWG N° 01320

(n)=Quantità per pompa / Quantity for pump

K=kit