

motralec

4 rue Lavoisier . ZA Lavoisier . 95223 HERBLAY CEDEX

Tel. : 01.39.97.65.10 / Fax. : 01.39.97.68.48

Demande de prix / e-mail : service-commercial@motralec.com

www.motralec.com

RICAMBI/SPARE PARTS
ELETTROPOMPE AUTOADESCANTI in GHISA/SELF PRIMING CENTRIFUGAL PUMPS in CAST IRON

| Pos. | Denominazione | Part name | AGE 0.50 M | AGE 0.60 M | AGE 0.80 M |
|-------|-------------------------|-----------------------|------------|---------------|------------|
| | | | 1130050000 | 1130060000 | 1130080000 |
| 001 | CORPO POMPA | Casing | | 240020018 | |
| 003 | SUPPORTO MOTORE | Motor bracket | | 240280003 | |
| 004 | DISCO P/TENUTA | Casing cover | | 241438001 | |
| 006 | ALBERO ROTORE | Shaft with rotor | 275412613 | 275412615 | 275412617 |
| 007 | GIRANTE | Impeller | 342550019 | 342550520 | |
| 009 | GRUPPO VENTURI+DIFF. | Diffuser+Venturi tube | | 342590002 | |
| 011-K | TENUTA MEC.PARTE ROT | Mechanical seal roll. | | 364500011 | |
| 011-K | TENUTA MEC.PARTE FIS | Mechanical seal fix. | | 364500011 | |
| 012 | CASSA MOTORE | Motor frame | 277930120 | 277930105 | 277930122 |
| 013 | COPERCHIO MOTORE | Motor cover | | 230225500 | |
| 014 | VENTOLA | Fan | | 369950000 | |
| 015 | COPRIVENTOLA | Fan cover | | 362250000 | |
| 016 | MORSETTIERA | Terminal board | | 365940253 | |
| 018-K | RONDELLA PARASPRUZZI | Splash ring | | 364500011 | |
| 019 | CUSCINETTO | Bearing | | 360306201 | |
| 020 | CUSCINETTO | Bearing | | 360306201 | |
| 021 | ANELLO COMPENSATORE | Adjusting ring | | 360600032 | |
| 022 | TIRANTE | Tie rod | | 369305127 (3) | |
| 023 | CONDENSATORE | Cpacitor | | 361402100 | |
| 024 | TAPPO | Priming plug | | 375192000 | |
| 025 | TAPPO | Drain plug | | 375192000 | |
| 026-K | ANELLO OR | "O" ring | | 364500011 | |
| 028-K | ANELLO OR | "O" ring | | 364500011 | |
| 042 | PIEDINO | Foot | | 342572000 | |
| 049 | TAPPO | Plug | | 375192001 (2) | |
| 052 | SCATOLA P/COND. | Capacitor box | | 363200500 | |
| 053 | COPERCHIO SCAT. P/COND. | Capacitor box cover | | 363201100 | |
| 058 | PRESSACAVO | Cable entry | | 363201200 | |
| 059 | GUARNIZIONE CONICA | Conic gasket | | 363201300 | |
| 075-K | RONDELLA | Washer | | 364500011 | |
| 076-K | RONDELLA | Washer | | 364500011 | |
| 077-K | RONDELLA | Washer | | 364500011 | |
| 200 | VITE | Screw | | 369600003 (4) | |
| 257 | FERMACAVO | Wire clamp | | 366550011 | |

(n)=Quantità per pompa / Quantity for pump

K=kit

DWG N° 01341

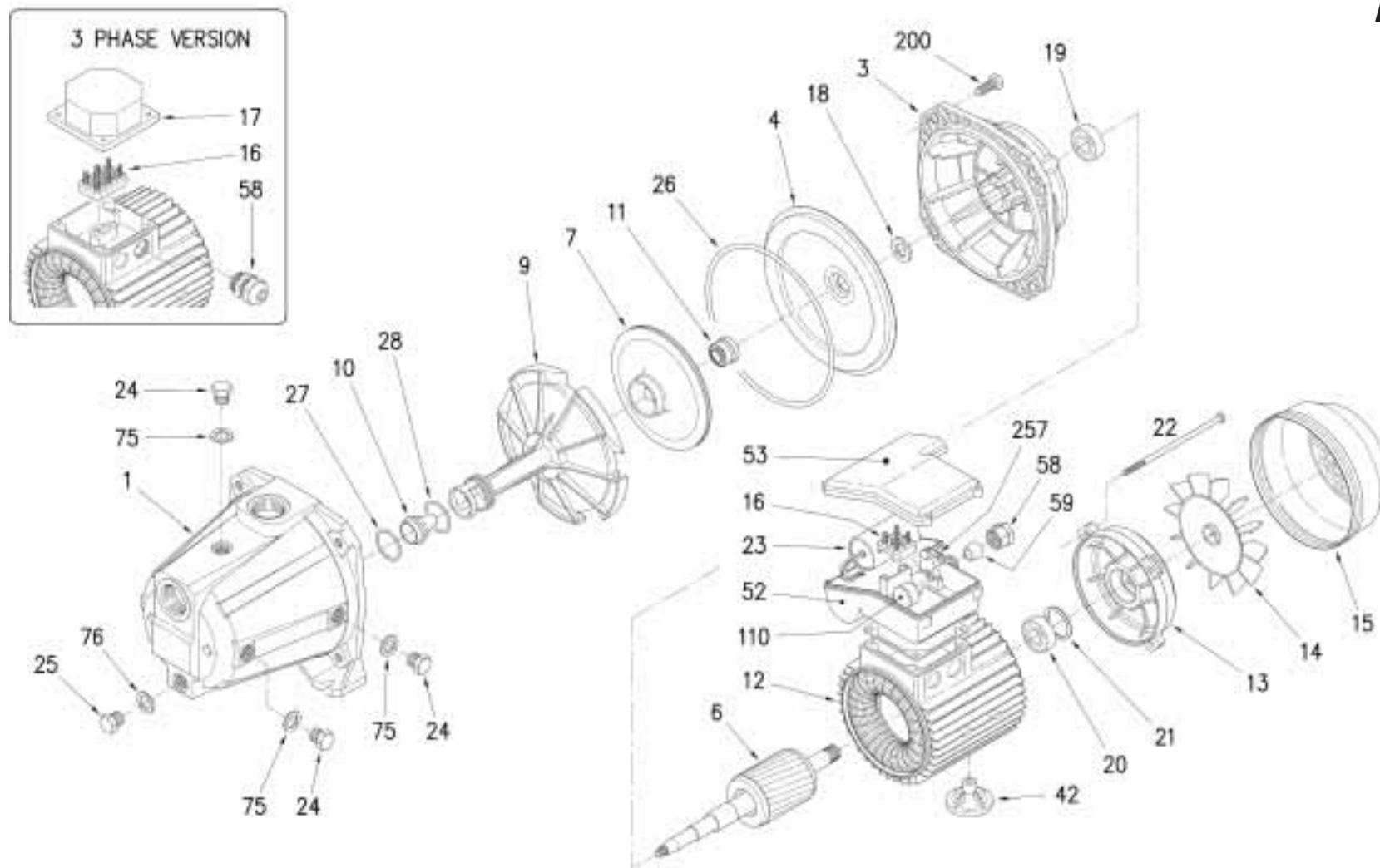
RICAMBI/SPARE PARTS
ELETTROPOMPE AUTOADESCANTI in GHISA/SELF PRIMING CENTRIFUGAL PUMPS in CAST IRON

| Pos. | Denominazione | Part name | AGE 0.50 T | AGE 0.60 T | AGE 0.80 T |
|-------|----------------------|-----------------------|------------|---------------|------------|
| | | | 1130050004 | 1130060004 | 1130080004 |
| 001 | CORPO POMPA | Casing | | 240020018 | |
| 003 | SUPPORTO MOTORE | Motor bracket | | 240280003 | |
| 004 | DISCO P/TENUTA | Casing cover | | 241438001 | |
| 006 | ALBERO ROTORE | Shaft with rotor | 275412613 | 275412615 | 275412617 |
| 007 | GIRANTE | Impeller | 342550688 | 342550690 | 342550689 |
| 009 | GRUPPO VENTURI+DIFF. | Diffuser+Venturi tube | | 342590002 | |
| 011-K | TENUTA MEC.PARTE ROT | Mechanical seal roll. | | 364500011 | |
| 011-K | TENUTA MEC.PARTE FIS | Mechanical seal fix. | | 364500011 | |
| 012 | CASSA MOTORE | Motor frame | 277930123 | 277930124 | 277930125 |
| 013 | COPERCHIO MOTORE | Motor cover | | 230225500 | |
| 014 | VENTOLA | Fan | | 369950000 | |
| 015 | COPRIVENTOLA | Fan cover | | 362250000 | |
| 016 | MORSETTIERA | Terminal board | | 365940256 | |
| 017 | COPRIMORSETTIERA | Terminal box cover | | 363232030 | |
| 018-K | RONDELLA PARASPRUZZI | Splash ring | | 364500011 | |
| 019 | CUSCINETTO | Bearing | | 360306201 | |
| 020 | CUSCINETTO | Bearing | | 360306201 | |
| 021 | ANELLO COMPENSATORE | Adjusting ring | | 360600032 | |
| 022 | TIRANTE | Tie rod | | 369305127 (3) | |
| 024 | TAPPO | Priming plug | | 375192000 | |
| 025 | TAPPO | Drain plug | | 375192000 | |
| 026-K | ANELLO OR | "O" ring | | 364500011 | |
| 028-K | ANELLO OR | "O" ring | | 364500011 | |
| 034-K | DADO GIRANTE | Impeller nut | | 363300018 | |
| 042 | PIEDINO | Foot | | 342572000 | |
| 049 | TAPPO | Plug | | 375192001 (2) | |
| 058 | PRESSACAVO | Cable entry | | 366550010 | |
| 075-K | RONDELLA | Washer | | 364500011 | |
| 076-K | RONDELLA | Washer | | 364500011 | |
| 077-K | RONDELLA | Washer | | 364500011 | |
| 200 | VITE | Screw | | 369600003 (4) | |
| 257 | FERMACAVO | Wire clamp | | | 366550011 |

(n)=Quantità per pompa / Quantity for pump

K=kit

DWG N° 01341



RICAMBI/SPARE PARTS
ELETTROPOMPE AUTOADESCANTI in GHISA/SELF PRIMING CENTRIFUGAL PUMPS in CAST IRON

| Pos. | Denominazione | Part name | AGF 0.60 M | AGF 0.80 M |
|-------|-------------------------|-----------------------|------------|---------------|
| | | | 1090060000 | 1090090000 |
| 001 | CORPO POMPA | Casing | | 240020000 |
| 003 | SUPPORTO MOTORE | Motor bracket | | 240280015 |
| 004 | DISCO P/TENUTA | Casing cover | | 241438000 |
| 006 | ALBERO ROTORE | Shaft with rotor | 275412604 | 275412931 |
| 007 | GIRANTE | Impeller | | 342550501 |
| 009 | GRUPPO VENTURI+DIFF. | Diffuser+Venturi tube | | 342535000 |
| 010 | UGELLO | Venturi nozzle | | 342595000 |
| 011-K | TENUTA MEC.PARTE ROT | Mechanical seal roll. | | 364500012 |
| 011-K | TENUTA MEC.PARTE FIS | Mechanical seal fix. | | 364500012 |
| 012 | CASSA MOTORE | Motor frame | 277930122 | 277930004 |
| 013 | COPERCHIO MOTORE | Motor cover | | 230225500 |
| 014 | VENTOLA | Fan | | 369950000 |
| 015 | COPRIVENTOLA | Fan cover | | 362250000 |
| 016 | MORSETTIERA | Terminal board | | 365940253 |
| 018-K | RONDELLA PARASPRUZZI | Splash ring | | 364500012 |
| 019 | CUSCINETTO | Bearing | | 360306201 |
| 020 | CUSCINETTO | Bearing | | 360306201 |
| 021 | ANELLO COMPENSATORE | Adjusting ring | | 360600032 |
| 022 | TIRANTE | Tie rod | | 369305127 (3) |
| 023 | CONDENSATORE | Capacitor | 361402100 | 361402125 |
| 024 | TAPPO | Priming plug | | 375192001 (3) |
| 025 | TAPPO | Drain plug | | 375192001 |
| 026-K | ANELLO OR | "O" ring | | 364500012 |
| 027-K | ANELLO OR | "O" ring | | 364500012 |
| 028-K | ANELLO OR | "O" ring | | 364500012 |
| 042 | PIEDINO | Foot | | 342572003 |
| 052 | SCATOLA P/COND. | Capacitor box | | 363200500 |
| 053 | COPERCHIO SCAT. P/COND. | Capacitor box cover | | 363201100 |
| 058 | PRESSACAVO | Cable entry | | 363201200 |
| 059 | GUARNIZIONE CONICA | Conic gasket | | 363201300 |
| 075-K | RONDELLA | Washer | | 364500012 |
| 076-K | RONDELLA | Washer | | 364500012 |
| 200 | VITE | Screw | | 369600006 (4) |
| 257 | FERMACAVO | Wire clamp | | 366550011 |

(n)=Quantità per pompa / Quantity for pump

K=kit

DWG N° 01339

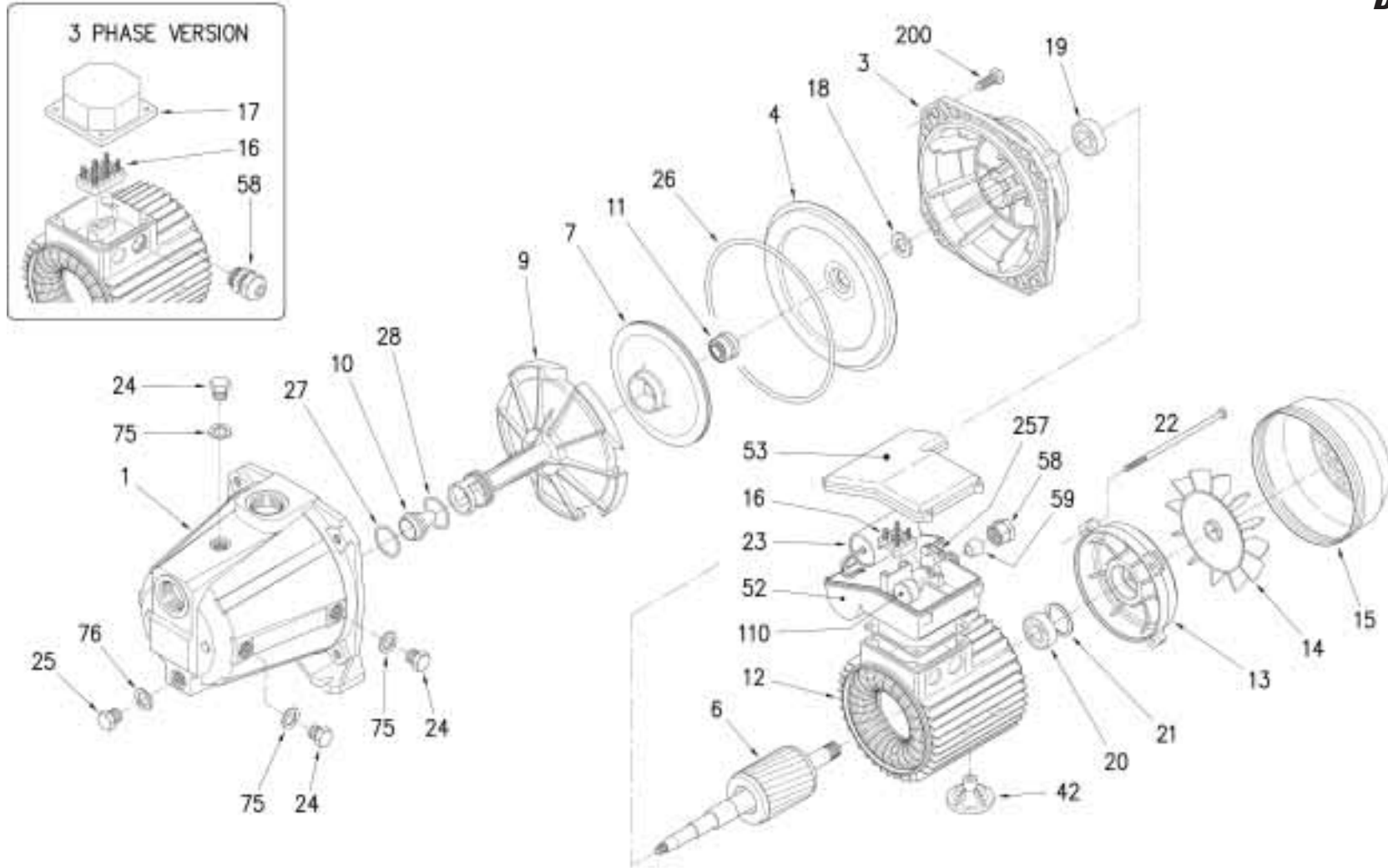
RICAMBI/SPARE PARTS
ELETTROPOMPE AUTOADESCANTI in GHISA/SELF PRIMING CENTRIFUGAL PUMPS in CAST IRON

| Pos. | Denominazione | Part name | AGF 0.60 T | AGF 0.80 T |
|-------|----------------------|-----------------------|------------|---------------|
| | | | 1090060004 | 1090090004 |
| 001 | CORPO POMPA | Casing | | 240020000 |
| 003 | SUPPORTO MOTORE | Motor bracket | | 240280015 |
| 004 | DISCO P/TENUTA | Casing cover | | 241438000 |
| 006 | ALBERO ROTORE | Shaft with rotor | 275412604 | 275412931 |
| 007 | GIRANTE | Impeller | | 342550501 |
| 009 | GRUPPO VENTURI+DIFF. | Diffuser+Venturi tube | | 342535000 |
| 010 | UGELLO | Venturi nozzle | | 342595000 |
| 011-K | TENUTA MEC.PARTE ROT | Mechanical seal roll. | | 364500012 |
| 011-K | TENUTA MEC.PARTE FIS | Mechanical seal fix. | | 364500012 |
| 012 | CASSA MOTORE | Motor frame | 277930125 | 277930113 |
| 013 | COPERCHIO MOTORE | Motor cover | | 230225500 |
| 014 | VENTOLA | Fan | | 369950000 |
| 015 | COPRIVENTOLA | Fan cover | | 362250000 |
| 016 | MORSETTIERA | Terminal board | | 365940256 |
| 017 | COPRIMORSETTIERA | Terminal box cover | | 363232030 |
| 018-K | RONDELLA PARASPRUZZI | Splash ring | | 364500012 |
| 019 | CUSCINETTO | Bearing | | 360306201 |
| 020 | CUSCINETTO | Bearing | | 360306201 |
| 021 | ANELLO COMPENSATORE | Adjusting ring | | 360600032 |
| 022 | TIRANTE | Tie rod | | 369305127 (3) |
| 024 | TAPPO | Priming plug | | 375192001 (3) |
| 025 | TAPPO | Drain plug | | 375192001 |
| 026-K | ANELLO OR | "O" ring | | 364500012 |
| 027-K | ANELLO OR | "O" ring | | 364500012 |
| 028-K | ANELLO OR | "O" ring | | 364500012 |
| 042 | PIEDINO | Foot | | 342572003 |
| 058 | PRESSACAVO | Cable entry | | 366550010 |
| 075-K | RONDELLA | Washer | | 364500012 |
| 076-K | RONDELLA | Washer | | 364500012 |
| 200 | VITE | Screw | | 369600006 (4) |
| 257 | FERMACAVO | Wire clamp | | 366550011 |

(n)=Quantità per pompa / Quantity for pump

K=kit

DWG N° 01339



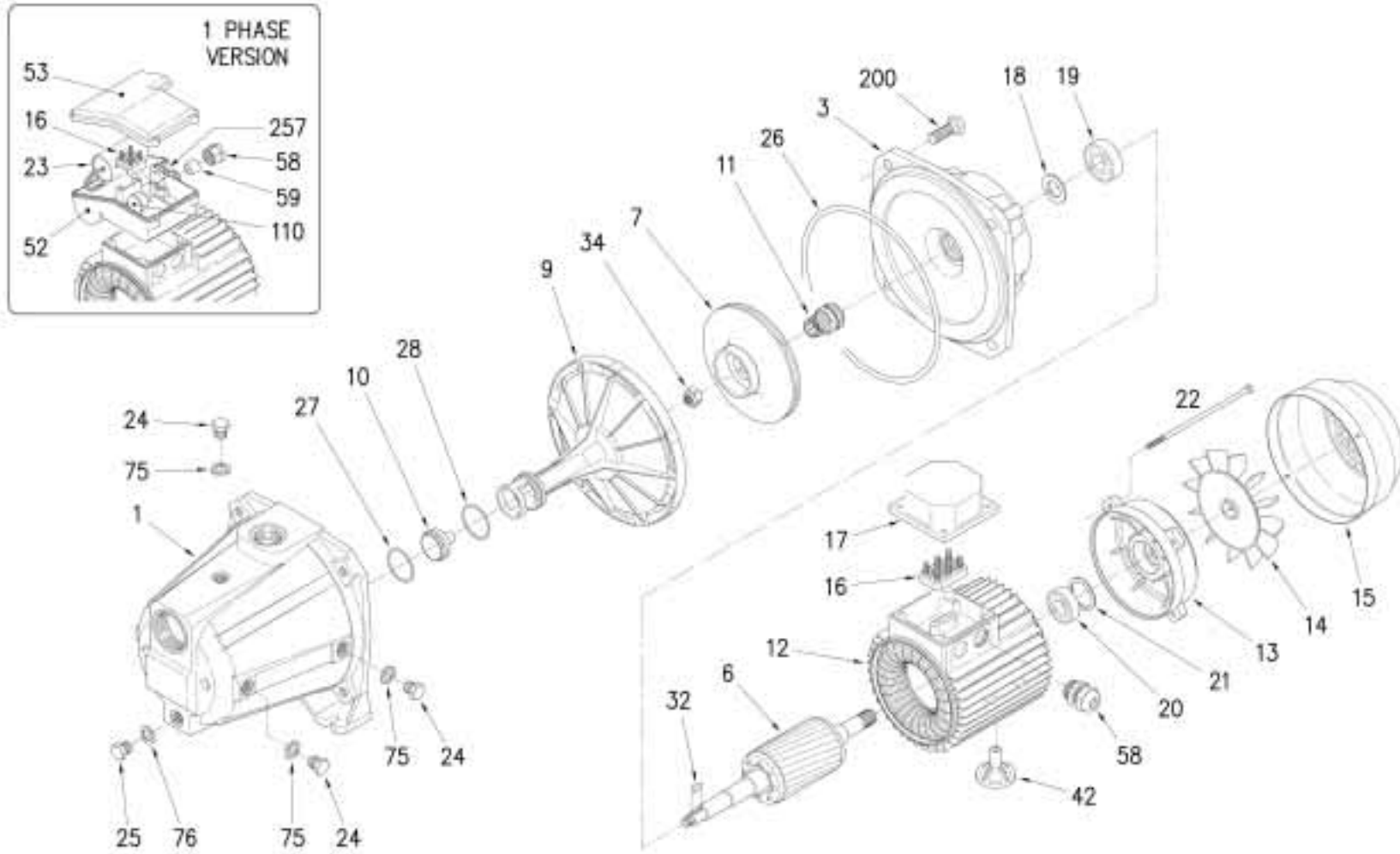
RICAMBI/SPARE PARTS
ELETTROPOMPE AUTOADESCANTI in GHISA/SELF PRIMING PUMPS in CAST IRON

| Pos. | Denominazione | Part name | AGA 0.60 M | AGA 0.75 M | AGA 1.00 M |
|-------|-------------------------|-----------------------|------------|---------------|------------|
| | | | 1100060000 | 1100090000 | 1100100000 |
| 001 | CORPO POMPA | Casing | | 240020000 | |
| 003 | SUPPORTO MOTORE | Motor bracket | | 240280001 | |
| 004 | DISCO P/TENUTA | Casing cover | | 241438000 | |
| 006 | ALBERO ROTORE | Shaft with rotor | 275412701 | 275412703 | 275412707 |
| 007 | GIRANTE | Impeller | 342550501 | 342550001 | 342550002 |
| 009 | GRUPPO VENTURI+DIFF. | Diffuser+Venturi tube | | 342535000 | 342535001 |
| 010 | UGELLO | Venturi nozzle | | 342595000 | 342595003 |
| 011-K | TENUTA MEC.PARTE ROT | Mechanical seal roll. | | 364500013 | |
| 011-K | TENUTA MEC.PARTE FIS | Mechanical seal fix. | | 364500013 | |
| 012 | CASSA MOTORE | Motor frame | 277930005 | 277930008 | 277930011 |
| 013 | COPERCHIO MOTORE | Motor cover | | 230225501 | |
| 014 | VENTOLA | Fan | | 369950002 | |
| 015 | COPRIVENTOLA | Fan cover | | 362250002 | |
| 016 | MORSETTIERA | Terminal board | | 365940253 | |
| 018-K | RONDELLA PARASPRUZZI | Splash ring | | 364500013 | |
| 019 | CUSCINETTO | Bearing | | 360306202 | |
| 020 | CUSCINETTO | Bearing | | 360306202 | |
| 021 | ANELLO COMPENSATORE | Adjusting ring | | 360600035 | |
| 022 | TIRANTE | Tie rod | | 369305135 (4) | |
| 023 | CONDENSATORE | Capacitor | 361402125 | 361400140 | 361402200 |
| 024 | TAPPO | Priming plug | | 375192001 (3) | |
| 025 | TAPPO | Drain plug | | 375192001 | |
| 026-K | ANELLO OR | "O" ring | | 364500013 | |
| 027-K | ANELLO OR | "O" ring | | 364500013 | |
| 028-K | ANELLO OR | "O" ring | | 364500013 | |
| 042 | PIEDINO | Foot | | 342572001 | |
| 052 | SCATOLA P/COND. | Capacitor box | | 363200500 | |
| 053 | COPERCHIO SCAT. P/COND. | Capacitor box cover | | 363201100 | |
| 058 | PRESSACAVO | Cable entry | | 363201200 | |
| 059 | GUARNIZIONE CONICA | Conic gasket | | 363201300 | |
| 075-K | RONDELLA | Washer | | 364500013 | |
| 076-K | RONDELLA | Washer | | 364500013 | |
| 200 | VITE | Screw | | 369600006 (4) | |
| 257 | FERMACAVO | Wire clamp | | 366550011 | |

(n)=Quantità per pompa / Quantity for pump

K=kit

DWG N° 01339



RICAMBI/SPARE PARTS
ELETTROPOMPE AUTOADESCANTI in GHISA/SELF PRIMING PUMPS in CAST IRON

| Pos. | Denominazione | Part name | AGA/A 1.50 M | AGA/A 2.00 M |
|-------|-------------------------|-----------------------|---------------|---------------|
| | | | 1110150000A | 1110200000A |
| 001 | CORPO POMPA | Casing | | 240020002 |
| 003 | SUPPORTO MOTORE | Motor bracket | | 240080002 |
| 006 | ALBERO ROTORE | Shaft with rotor | 275412752 | 275412753 |
| 007 | GIRANTE | Impeller | 240150606 | 240150506 |
| 009 | GRUPPO VENTURI+DIFF. | Diffuser+Venturi tube | | 342535003 |
| 010 | UGELLO | Venturi nozzle | | 342595001 |
| 011-K | TENUTA MEC.PARTE ROT | Mechanical seal roll. | | 364500024 |
| 011-K | TENUTA MEC.PARTE FIS | Mechanical seal fix. | | 364500024 |
| 012 | CASSA MOTORE | Motor frame | 277930015 | 277930234 |
| 013 | COPERCHIO MOTORE | Motor cover | 230225015 | 230225091 |
| 014 | VENTOLA | Fan | | 369950008 |
| 015 | COPRIVENTOLA | Fan cover | | 362250004 |
| 016 | MORSETTIERA | Terminal board | | 365940254 |
| 018-K | RONDELLA PARASPRUZZI | Splash ring | | 364500024 |
| 019 | CUSCINETTO | Bearing | | 360306204 |
| 020 | CUSCINETTO | Bearing | | 360306203 |
| 021 | ANELLO COMPENSATORE | Adjusting ring | | 360600040 |
| 022 | TIRANTE | Tie rod | 369305148 (4) | 369305161 (4) |
| 023 | CONDENSATORE | Capacitor | 361401350 | 361401400 |
| 024 | TAPPO | Priming plug | | 375192001 (3) |
| 025 | TAPPO | Drain plug | | 375192001 |
| 026-K | ANELLO OR | "O" ring | | 364500024 |
| 027-K | ANELLO OR | "O" ring | | 364500024 |
| 028-K | ANELLO OR | "O" ring | | 364500024 |
| 032-K | LINGUETTA | Key | | 364500024 |
| 034-K | DADO GIRANTE | Impeller nut | | 364500024 |
| 042 | PIEDINO | Foot | | 342572003 |
| 052 | SCATOLA P/COND. | Capacitor box | | 363200201 |
| 053 | COPERCHIO SCAT. P/COND. | Capacitor box cover | | 363201101 |
| 058 | PRESSACAVO | Cable entry | | 363201201 |
| 059 | GUARNIZIONE CONICA | Conic gasket | | 363201301 |
| 075-K | RONDELLA | Washer | | 364500024 |
| 076-K | RONDELLA | Washer | | 364500024 |
| 110 | MOTOPROTETTORE | Motoprotector | | 369450504 |
| 200 | VITE | Screw | | 369600049 (4) |
| 257 | FERMACAVO | Wire clamp | | 366550012 |

(n)=Quantità per pompa / Quantity for pump

K=kit

DWG N° 01340

RICAMBI/SPARE PARTS
ELETTROPOMPE AUTOADESCANTI in GHISA/SELF PRIMING PUMPS in CAST IRON

| Pos. | Denominazione | Part name | AGA 0.60 T | AGA 0.75 T | AGA 1.00 T |
|-------|----------------------|-----------------------|------------|---------------|------------|
| | | | 1100060004 | 1100090004 | 1100100004 |
| 001 | CORPO POMPA | Casing | | 240020000 | |
| 003 | SUPPORTO MOTORE | Motor bracket | | 240280001 | |
| 004 | DISCO P/TENUTA | Casing cover | | 241438000 | |
| 006 | ALBERO ROTORE | Shaft with rotor | 275412701 | 275412703 | 275412707 |
| 007 | GIRANTE | Impeller | 342550501 | 342550001 | 342550002 |
| 009 | GRUPPO VENTURI+DIFF. | Diffuser+Venturi tube | | 342535000 | 342535001 |
| 010 | UGELLO | Venturi nozzle | | 342595000 | 342595003 |
| 011-K | TENUTA MEC.PARTE ROT | Mechanical seal roll. | | 360405113 | |
| 011-K | TENUTA MEC.PARTE FIS | Mechanical seal fix. | | 360408213 | |
| 012 | CASSA MOTORE | Motor frame | 277930405 | 277930161 | 277930411 |
| 013 | COPERCHIO MOTORE | Motor cover | | 230225501 | |
| 014 | VENTOLA | Fan | | 369950002 | |
| 015 | COPRIVENTOLA | Fan cover | | 362250002 | |
| 016 | MORSETTIERA | Terminal board | | 365940256 | |
| 017 | COPRIMORSETTIERA | Terminal box cover | | 363232030 | |
| 018-K | RONDELLA PARASPRUZZI | Splash ring | | 367650150 | |
| 019 | CUSCINETTO | Bearing | | 360306202 | |
| 020 | CUSCINETTO | Bearing | | 360306202 | |
| 021 | ANELLO COMPENSATORE | Adjusting ring | | 360600035 | |
| 022 | TIRANTE | Tie rod | | 369305135 (4) | |
| 024 | TAPPO | Priming plug | | 375192001 (3) | |
| 025 | TAPPO | Drain plug | | 375192001 | |
| 026-K | ANELLO OR | "O" ring | | 360931647 | |
| 027-K | ANELLO OR | "O" ring | | 360922669 | |
| 028-K | ANELLO OR | "O" ring | | 360922825 | |
| 042 | PIEDINO | Foot | | 342572001 | |
| 058 | PRESSACAVO | Cable entry | | 366550010 | |
| 075-K | RONDELLA | Washer | | 360620011 (3) | |
| 076-K | RONDELLA | Washer | | 360620011 | |
| 200 | VITE | Screw | | 369600006 (4) | |
| 257 | FERMACAVO | Wire clamp | | 366550011 | |

(n)=Quantità per pompa / Quantity for pump

K=kit

DWG N° 01339

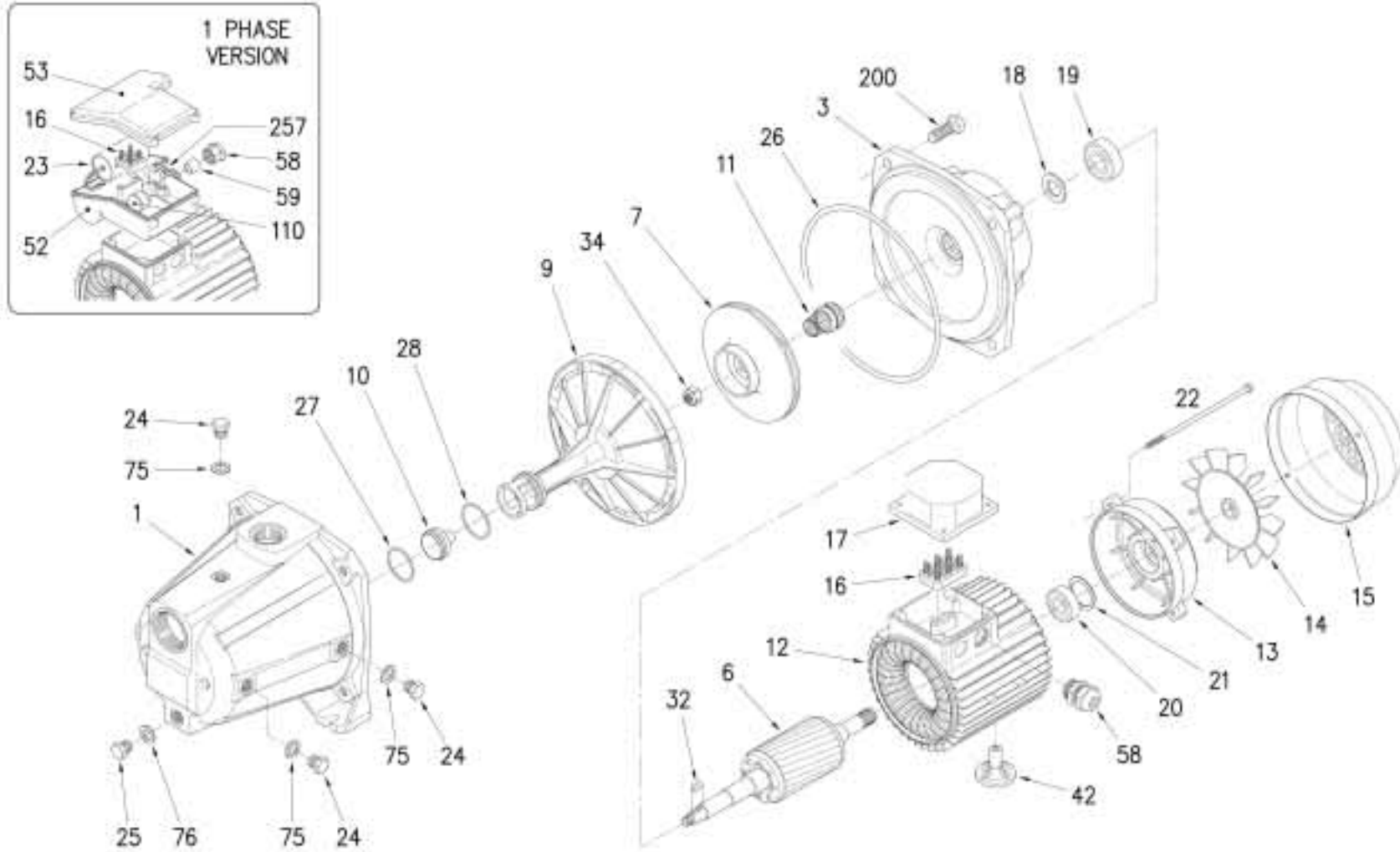
RICAMBI/SPARE PARTS
ELETTROPOMPE AUTOADESCANTI in GHISA/SELF PRIMING PUMPS in CAST IRON

| Pos. | Denominazione | Part name | AGA/A 1.50 T | AGA/A 2.00 T | AGA/A 3.00 T |
|-------|----------------------|-----------------------|--------------|---------------|---------------|
| | | | 1110150004A | 1110200004A | 1110300004A |
| 001 | CORPO POMPA | Casing | | 240020002 | |
| 003 | SUPPORTO MOTORE | Motor bracket | | 240080002 | |
| 006 | ALBERO ROTORE | Shaft with rotor | 275412751 | 275412706 | 275412754 |
| 007 | GIRANTE | Impeller | 240150606 | | 240150506 |
| 009 | GRUPPO VENTURI+DIFF. | Diffuser+Venturi tube | | 342535003 | |
| 010 | UGELLO | Venturi nozzle | | 342595001 | |
| 011-K | TENUTA MEC.PARTE ROT | Mechanical seal roll. | | 364500024 | |
| 011-K | TENUTA MEC.PARTE FIS | Mechanical seal fix. | | 364500024 | |
| 012 | CASSA MOTORE | Motor frame | 277930801 | 277930802 | 277930236 |
| 013 | COPERCHIO MOTORE | Motor cover | | 230225015 | 230225091 |
| 014 | VENTOLA | Fan | | 369950008 | |
| 015 | COPRIVENTOLA | Fan cover | | 362250004 | |
| 016 | MORSETTIERA | Terminal board | | 365950326 | |
| 017 | COPRIMORSETTIERA | Terminal box cover | | 363232031 | |
| 018-K | RONDELLA PARASPRUZZI | Splash ring | | 364500024 | |
| 019 | CUSCINETTO | Bearing | | 360306204 | |
| 020 | CUSCINETTO | Bearing | | 360306203 | |
| 021 | ANELLO COMPENSATORE | Adjusting ring | | 360600040 | |
| 022 | TIRANTE | Tie rod | | 369305148 (4) | 369305161 (4) |
| 024 | TAPPO | Priming plug | | 375192001 (3) | |
| 025 | TAPPO | Drain plug | | 375192001 | |
| 026-K | ANELLO OR | "O" ring | | 364500024 | |
| 027-K | ANELLO OR | "O" ring | | 364500024 | |
| 028-K | ANELLO OR | "O" ring | | 364500024 | |
| 032-K | LINGUETTA | Key | | 364500024 | |
| 034-K | DADO GIRANTE | Impeller nut | | 363300011 | |
| 042 | PIEDINO | Foot | | 342572003 | |
| 058 | PRESSACAVO | Cable entry | | 366550010 | |
| 075-K | RONDELLA | Washer | | 364500024 | |
| 076-K | RONDELLA | Washer | | 364500024 | |
| 200 | VITE | Screw | | 369600049 (4) | |

(n)=Quantità per pompa / Quantity for pump

K=kit

DWG N° 01339



RICAMBI/SPARE PARTS
ELETTROPOMPE AUTOADESCANTI in GHISA/SELF PRIMING PUMPS in CAST IRON

| Pos. | Denominazione | Part name | AGC/A 1.50 M | AGC/A 2.00 M |
|-------|-------------------------|-----------------------|---------------|---------------|
| | | | 1110150000A | 1110200000A |
| 001 | CORPO POMPA | Casing | | 240020002 |
| 003 | SUPPORTO MOTORE | Motor bracket | | 240080002 |
| 006 | ALBERO ROTORE | Shaft with rotor | 275412752 | 275412753 |
| 007 | GIRANTE | Impeller | 240150606 | 240150506 |
| 009 | GRUPPO VENTURI+DIFF. | Diffuser+Venturi tube | | 342535003 |
| 010 | UGELLO | Venturi nozzle | | 342595001 |
| 011-K | TENUTA MEC.PARTE ROT | Mechanical seal roll. | | 364500024 |
| 011-K | TENUTA MEC.PARTE FIS | Mechanical seal fix. | | 364500024 |
| 012 | CASSA MOTORE | Motor frame | 277930015 | 277930234 |
| 013 | COPERCHIO MOTORE | Motor cover | 230225015 | 230225091 |
| 014 | VENTOLA | Fan | | 369950008 |
| 015 | COPRIVENTOLA | Fan cover | | 362250004 |
| 016 | MORSETTIERA | Terminal board | | 365940254 |
| 018-K | RONDELLA PARASPRUZZI | Splash ring | | 364500024 |
| 019 | CUSCINETTO | Bearing | | 360306204 |
| 020 | CUSCINETTO | Bearing | | 360306203 |
| 021 | ANELLO COMPENSATORE | Adjusting ring | | 360600040 |
| 022 | TIRANTE | Tie rod | 369305148 (4) | 369305161 (4) |
| 023 | CONDENSATORE | Capacitor | 361401350 | 361401400 |
| 024 | TAPPO | Priming plug | | 375192001 (3) |
| 025 | TAPPO | Drain plug | | 375192001 |
| 026-K | ANELLO OR | "O" ring | | 364500024 |
| 027-K | ANELLO OR | "O" ring | | 364500024 |
| 028-K | ANELLO OR | "O" ring | | 364500024 |
| 032-K | LINGUETTA | Key | | 364500024 |
| 034-K | DADO GIRANTE | Impeller nut | | 364500024 |
| 042 | PIEDINO | Foot | | 342572003 |
| 052 | SCATOLA P/COND. | Capacitor box | | 363200201 |
| 053 | COPERCHIO SCAT. P/COND. | Capacitor box cover | | 363201101 |
| 058 | PRESSACAVO | Cable entry | | 363201201 |
| 059 | GUARNIZIONE CONICA | Conic gasket | | 363201301 |
| 075-K | RONDELLA | Washer | | 364500024 |
| 076-K | RONDELLA | Washer | | 364500024 |
| 110 | MOTOPROTETTORE | Motoprotector | | 369450504 |
| 200 | VITE | Screw | | 369600049 (4) |
| 257 | FERMACAVO | Wire clamp | | 366550012 |

(n)=Quantità per pompa / Quantity for pump

K=kit

DWG N° 01340

RICAMBI/SPARE PARTS
ELETTROPOMPE AUTOADESCANTI in GHISA/SELF PRIMING PUMPS in CAST IRON

| Pos. | Denominazione | Part name | AGC/A 1.50 T | AGC/A 2.00 T | AGC/A 3.00 T |
|-------|----------------------|-----------------------|--------------|---------------|---------------|
| | | | 1120150004A | 1120200004A | 1120300004A |
| 001 | CORPO POMPA | Casing | | 240020002 | |
| 003 | SUPPORTO MOTORE | Motor bracket | | 240080002 | |
| 006 | ALBERO ROTORE | Shaft with rotor | 275412751 | 275412752 | 275412754 |
| 007 | GIRANTE | Impeller | 240150606 | 240150506 | 240150006 |
| 009 | GRUPPO VENTURI+DIFF. | Diffuser+Venturi tube | | 342535002 | |
| 010 | UGELLO | Venturi nozzle | | 342595001 | |
| 011-K | TENUTA MEC.PARTE ROT | Mechanical seal roll. | | 364500024 | |
| 011-K | TENUTA MEC.PARTE FIS | Mechanical seal fix. | | 364500024 | |
| 012 | CASSA MOTORE | Motor frame | 277930801 | 277930220 | 277930236 |
| 013 | COPERCHIO MOTORE | Motor cover | | 230225015 | 230225091 |
| 014 | VENTOLA | Fan | | 369950008 | |
| 015 | COPRIVENTOLA | Fan cover | | 362250004 | |
| 016 | MORSETTIERA | Terminal board | | 365950326 | |
| 017 | COPRIMORSETTIERA | Terminal box cover | | 363232031 | |
| 018-K | RONDELLA PARASPRUZZI | Splash ring | | 364500024 | |
| 019 | CUSCINETTO | Bearing | | 360306204 | |
| 020 | CUSCINETTO | Bearing | | 360306203 | |
| 021 | ANELLO COMPENSATORE | Adjusting ring | | 360600040 | |
| 022 | TIRANTE | Tie rod | | 369305148 (4) | 369305161 (4) |
| 024 | TAPPO | Priming plug | | 375192001 (3) | |
| 025 | TAPPO | Drain plug | | 375192001 | |
| 026-K | ANELLO OR | "O" ring | | 364500024 | |
| 027-K | ANELLO OR | "O" ring | | 364500024 | |
| 028-K | ANELLO OR | "O" ring | | 364500024 | |
| 032-K | LINGUETTA | Key | | 364500024 | |
| 034-K | DADO GIRANTE | Impeller nut | | 364500024 | |
| 042 | PIEDINO | Foot | | 342572003 | |
| 058 | PRESSACAVO | Cable entry | | 366550010 | |
| 075-K | RONDELLA | Washer | | 364500024 | |
| 076-K | RONDELLA | Washer | | 364500024 | |
| 200 | VITE | Screw | | 369600049 (4) | |
| 257 | FERMACAVO | Wire clamp | | | 366550012 |

(n)=Quantità per pompa / Quantity for pump

K=kit

DWG N° 01340