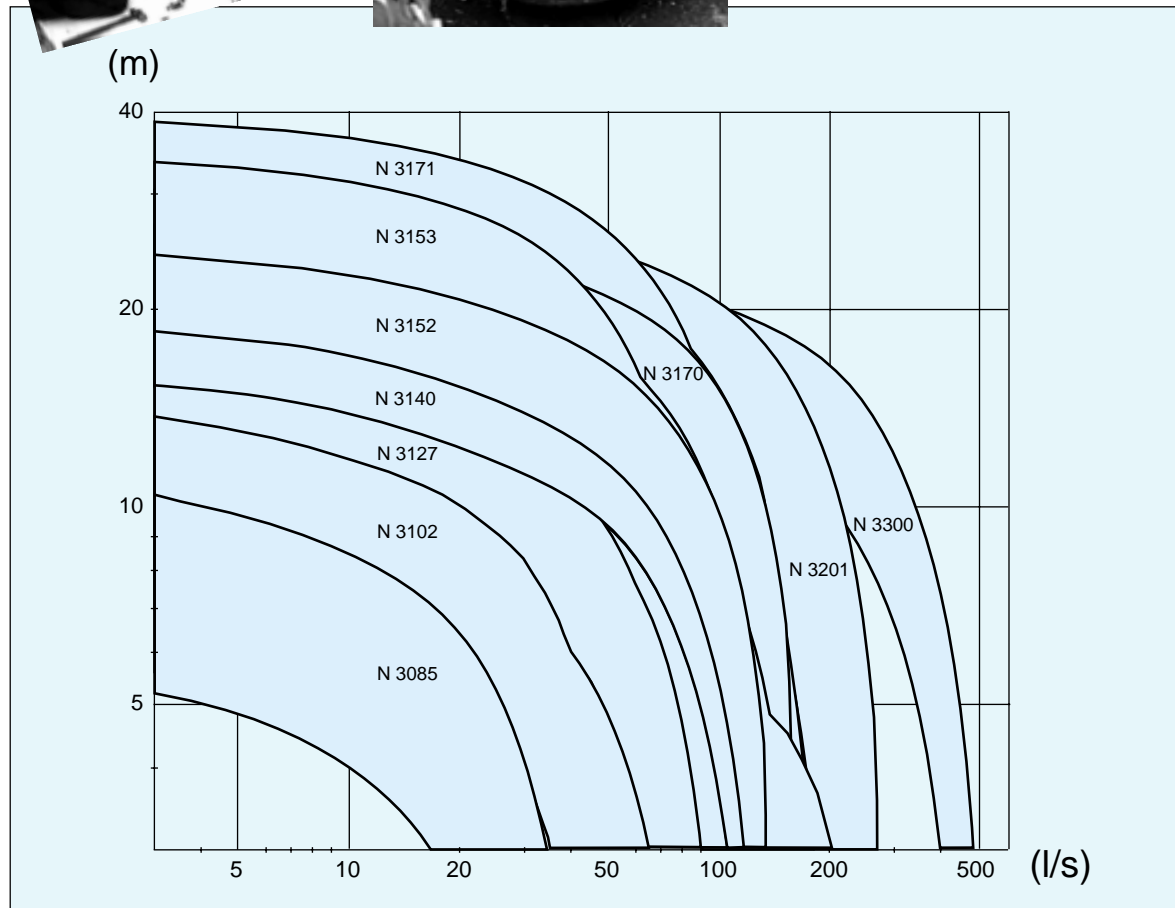


N-PUMPS • 50 Hz

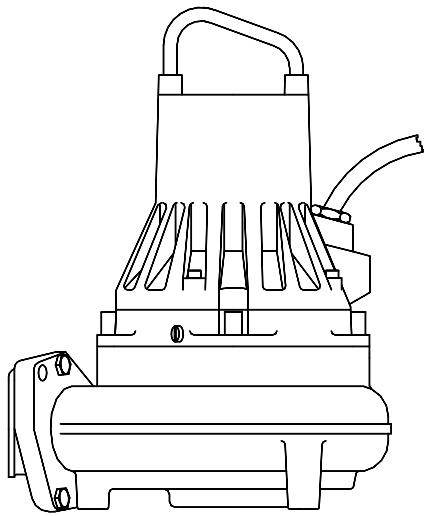
SMALL AND MEDIUM SIZE



The state of the art impeller design for waste water. Excellent clog resistance is combined with high efficiency. The high efficiency is maintained over time due to the self cleaning design incorporating heavily back swept leading edges and a relief groove in the volute.

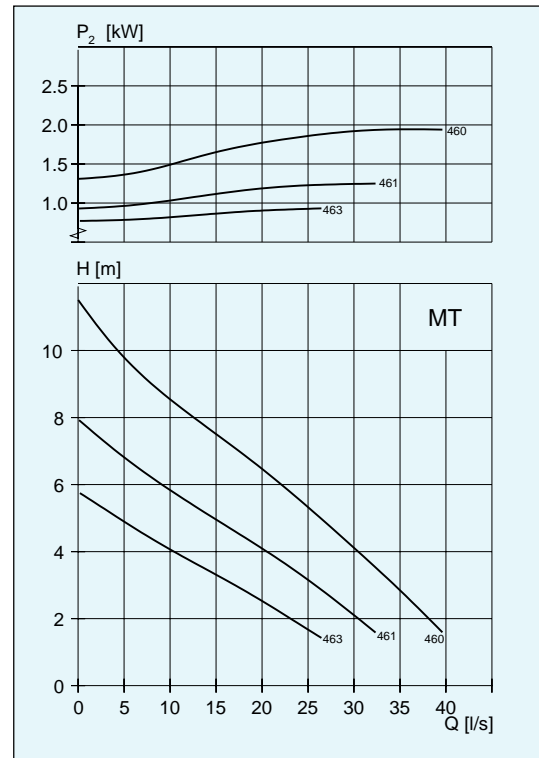


N 3085



Weight, kg	NP	NS	NT	NZ
MT	66	68	71	88

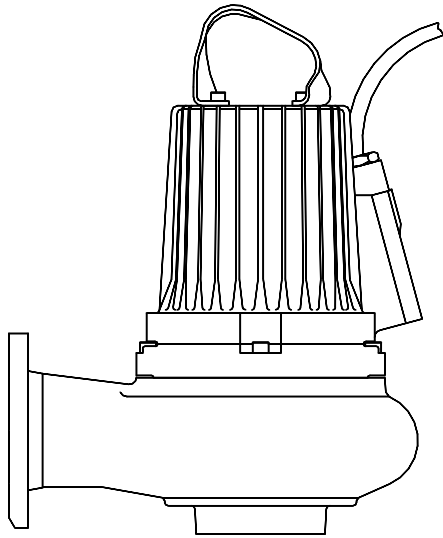
NP/NS/NT/NZ



Impeller code	No. of vanes	Outlet dia mm NP vers.	Motor rating kW		rpm	Available versions
			P_1	P_2		
• 460	2	80/100	2.7	2.0	1395	NP/NS/NT/NZ
• W461	2	80/100	2.7	2.0	1395	NP/NS/NT/NZ
• W463	2	80/100	2.7	2.0	1395	NP/NS/NT/NZ
• 461*	2	80/100	2.0	1.5	1440	NP/NS/NT/NZ
• 463*	2	80/100	2.0	1.5	1440	NP/NS/NT/NZ

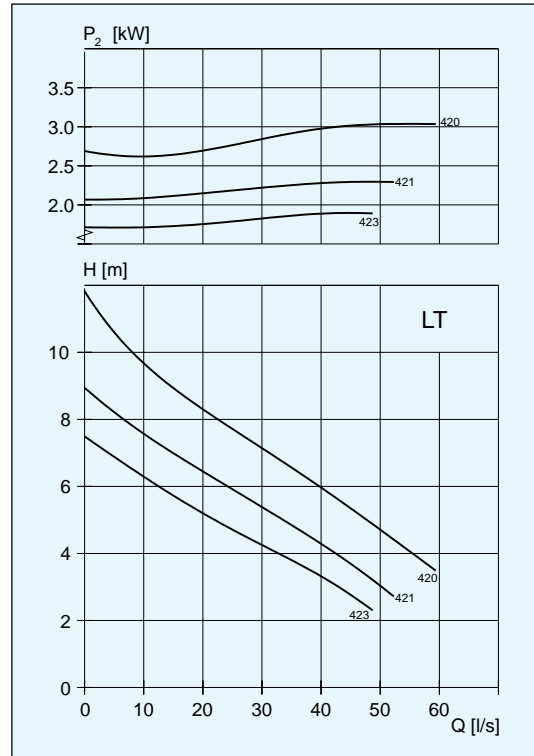
- * Single-phase
- Can be equipped with flush valve

N 3102



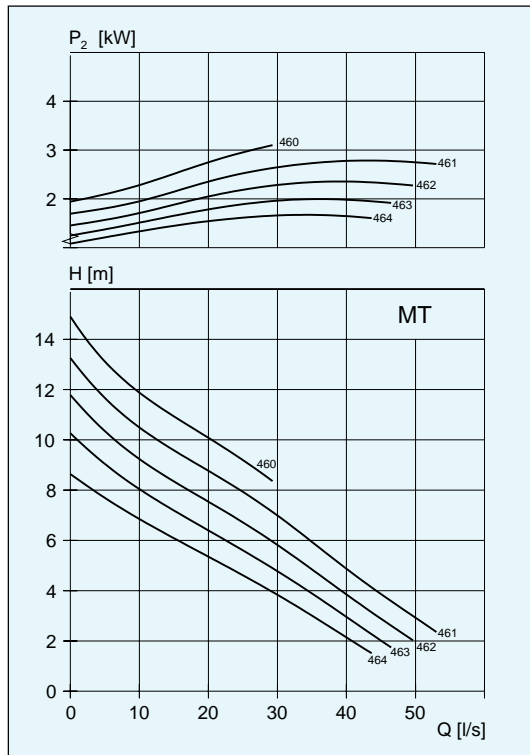
Weight, kg	NP	NS	NT	NZ
LT	120	138	166	209
MT	107	116	154	191

NP/NS/NT/NZ



Impeller code	No. of vanes	Outlet dia mm NP vers.	Motor rating kW		rpm	Available versions
			P ₁	P ₂		
•W420	2	150	3.8	3.1	1435	NPNS
•W421	2	150	3.8	3.1	1435	NPNS
•W423	2	150	3.8	3.1	1435	NPNS
420	2	150	2.9	2.4	1450	NT/NZ
421	2	150	2.9	2.4	1450	NT/NZ
423	2	150	2.9	2.4	1450	NT/NZ

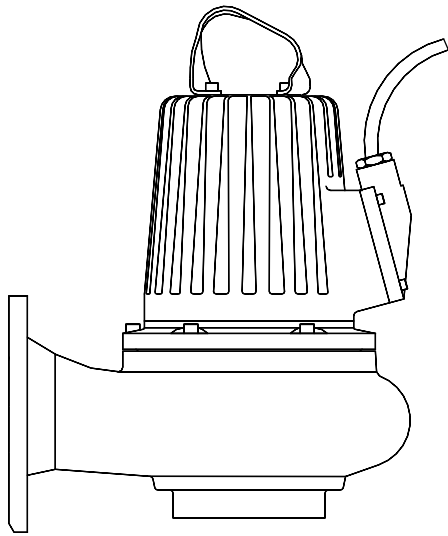
NP/NS/NT/NZ



Impeller code	No. of vanes	Outlet dia mm NP vers.	Motor rating kW		rpm	Available versions
			P ₁	P ₂		
•W460	2	150	3.8	3.1	1435	NPNS
•W461	2	150	3.8	3.1	1435	NPNS
•W462	2	150	3.8	3.1	1435	NPNS
•W463	2	150	3.8	3.1	1435	NPNS
•W464	2	150	3.8	3.1	1435	NPNS
460	2	150	2.9	2.4	1450	NT/NZ
461	2	150	2.9	2.4	1450	NT/NZ
462	2	150	2.9	2.4	1450	NT/NZ
463	2	150	2.9	2.4	1450	NT/NZ
464	2	150	2.9	2.4	1450	NT/NZ

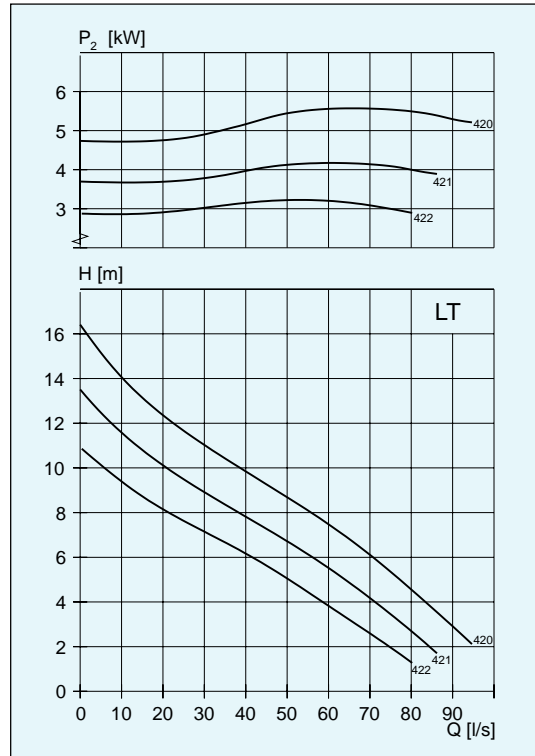
- Can be equipped with flush valve

N 3127



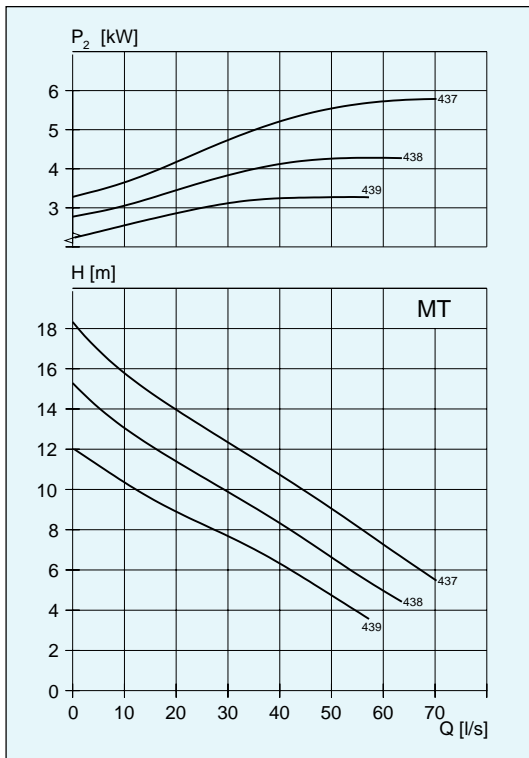
Weight, kg	NP	NS	NT	NZ
LT	154	183	220	220
MT	142	158	188	188

NP/NS/NT/NZ



Impeller code	No. of vanes	Outlet dia mm NP vers.	Motor rating kW		rpm	Available versions
			P ₁	P ₂		
• 420	2	150	7.0	5.9	1450	NPNS
• W421	2	150	7.0	5.9	1450	NPNS
• 421	2	150	5.7	4.7	1445	NPNS
• W422	2	150	7.0	5.9	1445	NPNS
• 422	2	150	5.7	4.7	1445	NPNS
421	2	150	5.7	4.7	1445	NTNZ
422	2	150	5.7	4.7	1445	NTNZ
421	2	150	4.8	4.0	1445	NTNZ
422	2	150	4.8	4.0	1445	NTNZ

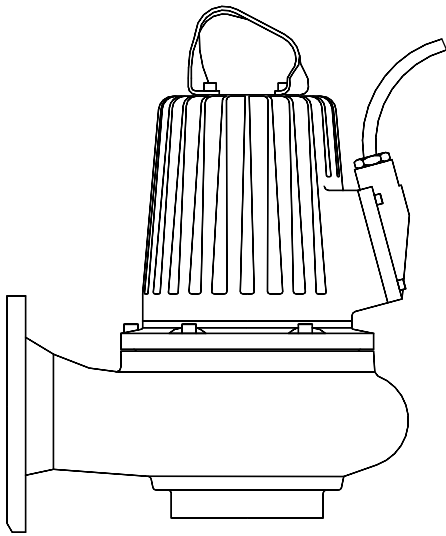
NP/NS/NT/NZ



Impeller code	No. of vanes	Outlet dia mm NP vers.	Motor rating kW		rpm	Available versions
			P ₁	P ₂		
• W437	2	100/150	7.0	5.9	1450	NPNS
• W438	2	100/150	7.0	5.9	1450	NPNS
• 438	2	100/150	5.7	4.7	1445	NPNS
• W439	2	100/150	7.0	5.9	1445	NPNS
• 439	2	100/150	5.7	4.7	1445	NPNS
438	2	100/150	5.7	4.7	1445	NTNZ
439	2	100/150	5.7	4.7	1445	NTNZ
439	2	100/150	4.8	4.0	1445	NTNZ

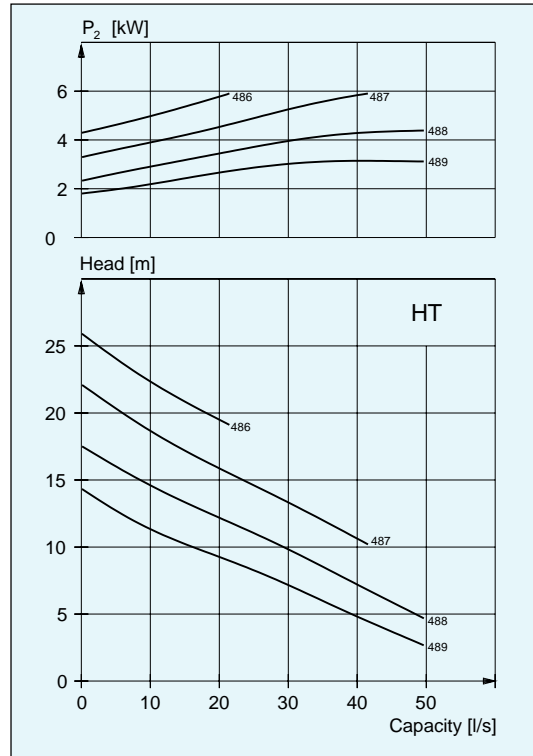
• Can be equipped with flush valve

N 3127



Weight, kg	NP	NS	NT	NZ
HT	136	142	156	200

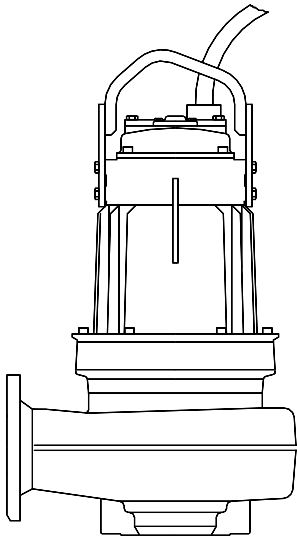
NP/NS/NT/NZ



Impeller code	No. of vanes	Outlet dia mm NP vers.	Motor rating kW		rpm	Available versions
			P_1	P_2		
•486	2	100	7.0	5.9	1450	NPNS
•486	2	100	5.7	4.7	1445	NPNS
•487	2	100	7.0	5.9	1450	NPNS
•487	2	100	5.7	4.7	1445	NPNS
•W488	2	100	7.0	5.9	1450	NPNS
•488	2	100	5.7	4.7	1445	NPNS
•W489	2	100	7.0	5.9	1450	NPNS
•489	2	100	5.7	4.7	1445	NPNS
488	2	100	5.7	4.7	1445	NT/NZ
488	2	100	4.8	4.0	1445	NT/NZ
489	2	100	5.7	4.7	1445	NT/NZ
489	2	100	4.8	4.0	1445	NT/NZ

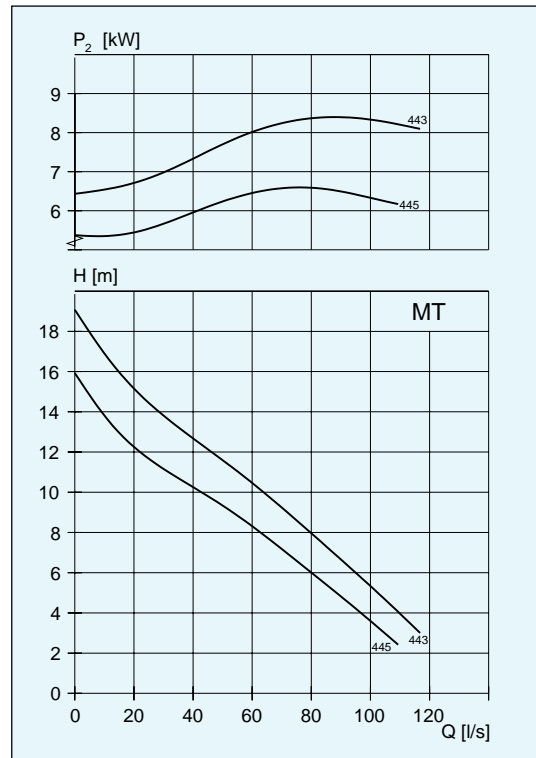
- Can be equipped with flush valve

N 3140



Weight, kg	NP	NS
MT	252	281

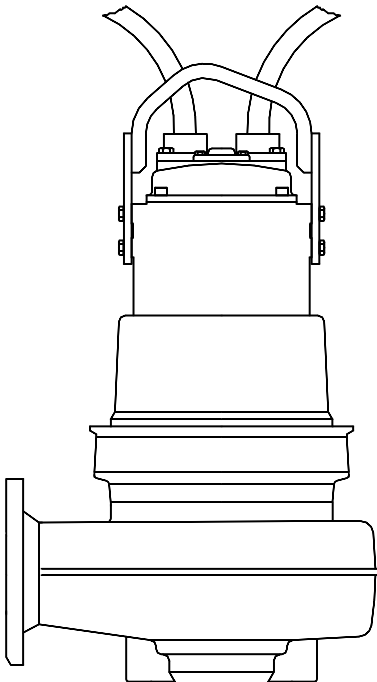
NP/NS



Impeller code	No. of vanes	Outlet dia mm NP vers.	Motor rating kW		rpm	Available versions
			P_1	P_2		
• 443	2	150	10.7	9.0	1455	NPNS
• 445	2	150	10.7	9.0	1455	NPNS

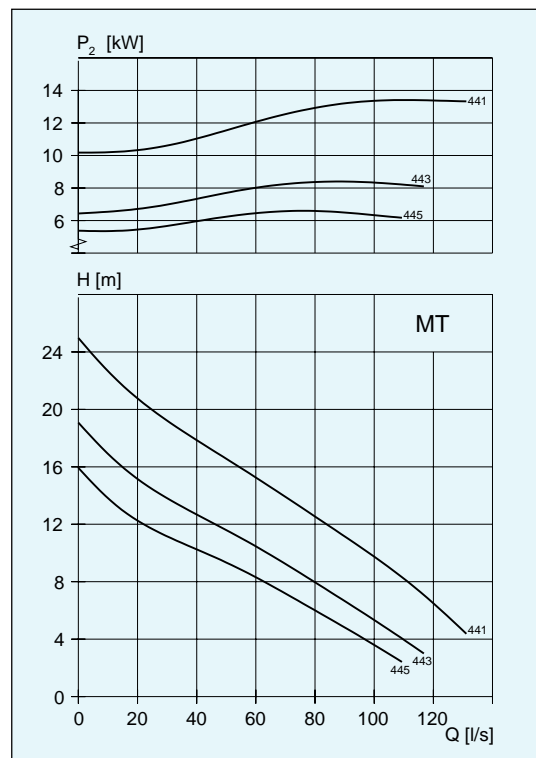
• Can be equipped with flush valve

N 3152



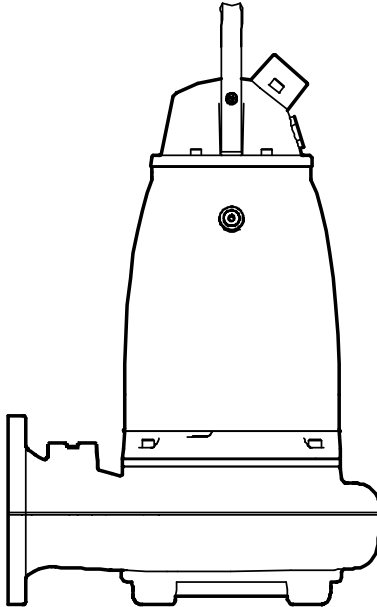
Weight, kg	NP	NS	NT	NZ
MT	279	320	348	348

NP/NS/NT/NZ



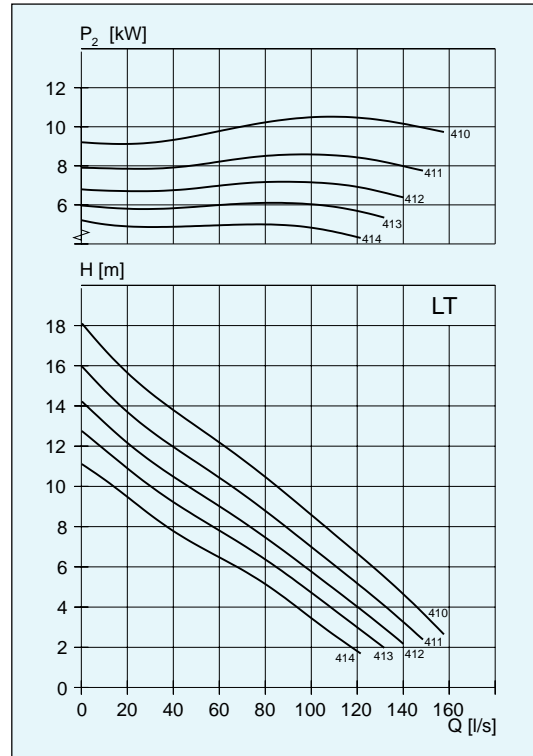
Impeller code	No. of vanes	Outlet dia mm NP vers.	Motor rating kW		rpm	Available versions
			P_1	P_2		
• 441	2	150	15.8	13.5	1450	NPNS/NT/NZ
• W443	2	150	15.8	13.5	1450	NPNS/NT/NZ
• 443	2	150	10.7	9.0	1455	NPNS/NT/NZ
• W445	2	150	15.8	13.5	1450	NPNS/NT/NZ
• 445	2	150	10.7	9.0	1455	NPNS/NT/NZ

N 3153



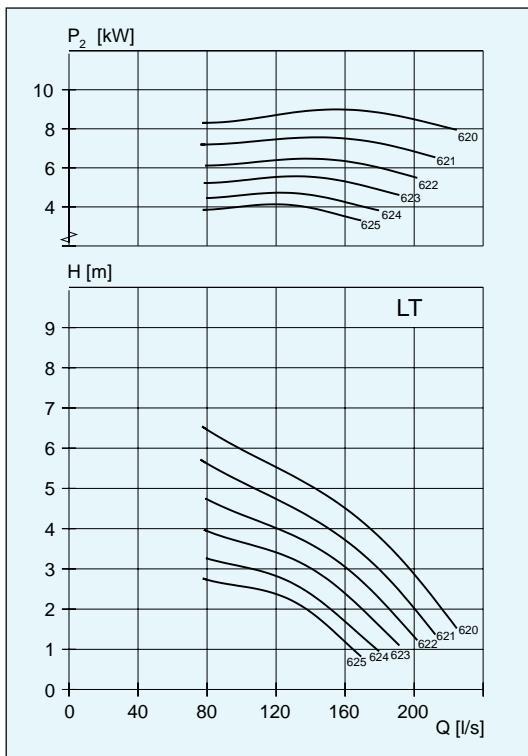
Weight, kg	NP	NS	NT	NZ
LT	239	257	326	327
LT, 6-pole	298	361	417	386
MT	203	232	272	256
HT	189	209	235	232

NP/NS/NT/NZ



Impeller code	No. of vanes	Outlet dia mm NP vers.	Motor rating kW		rpm	Available versions
			P ₁	P ₂		
•W410	2	200	12.7	11.0	1460	NPNSNTNZ
•W411	2	200	12.7	11.0	1460	NPNSNTNZ
•411	2	200	10.4	9.0	1460	NPNSNTNZ
•W412	2	200	12.7	11.0	1460	NPNSNTNZ
•412	2	200	10.4	9.0	1460	NPNSNTNZ
•412	2	200	8.8	7.5	1460	NPNSNTNZ
•W413	2	200	12.7	11.0	1460	NPNSNTNZ
•413	2	200	10.4	9.0	1460	NPNSNTNZ
•413	2	200	8.8	7.5	1460	NPNSNTNZ
•W414	2	200	12.7	11.0	1460	NPNSNTNZ
•414	2	200	10.4	9.0	1460	NPNSNTNZ
•414	2	200	8.8	7.5	1460	NPNSNTNZ

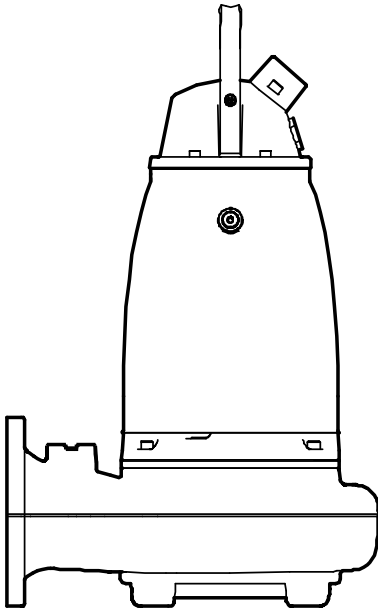
NP/NS/NT/NZ



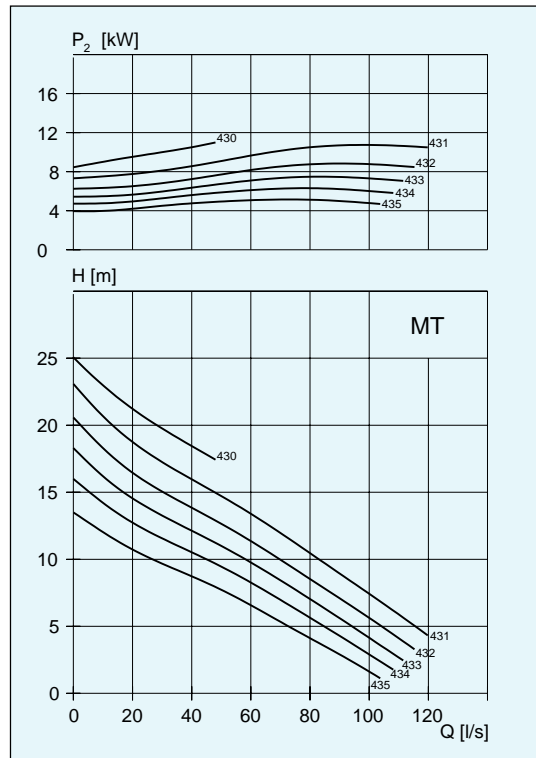
Impeller code	No. of vanes	Outlet dia mm NP vers.	Motor rating kW		rpm	Available versions
			P ₁	P ₂		
•620	2	250	10.5	9.0	955	NPNSNTNZ
•621	2	250	10.5	9.0	955	NPNSNTNZ
•622	2	250	10.5	9.0	955	NPNSNTNZ
•623	2	250	10.5	9.0	955	NPNSNTNZ
•624	2	250	10.5	9.0	955	NPNSNTNZ
•625	2	250	10.5	9.0	955	NPNSNTNZ

• Can be equipped with flush valve

N 3153



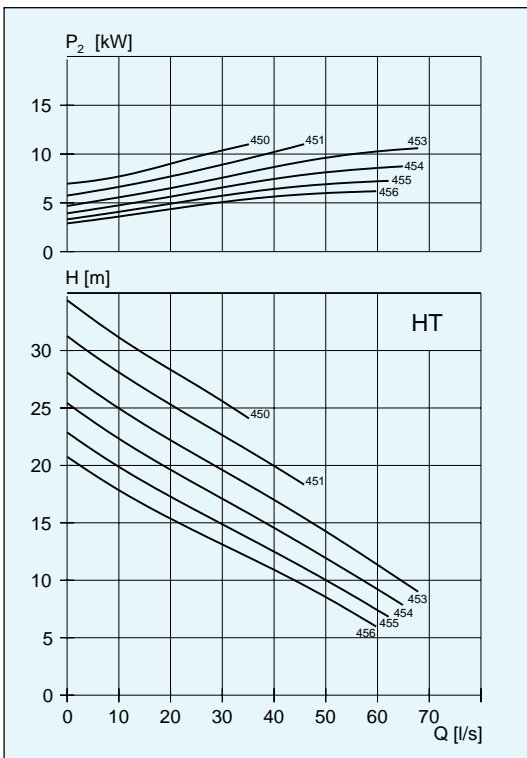
NP/NS/NT/NZ



Impeller code	No. of vanes	Outlet dia mm NP vers.	Motor rating kW		rpm	Available versions
			P ₁	P ₂		
• W430	2	150	12.7	11.0	1460	NP/NS/NT/NZ
• W431	2	150	12.7	11.0	1460	NP/NS/NT/NZ
• 431	2	150	10.4	9.0	1460	NP/NS/NT/NZ
• W432	2	150	12.7	11.0	1460	NP/NS/NT/NZ
• 432	2	150	10.4	9.0	1460	NP/NS/NT/NZ
• 432	2	150	8.8	7.5	1460	NP/NS/NT/NZ
• W433	2	150	12.7	11.0	1460	NP/NS/NT/NZ
• 433	2	150	10.4	9.0	1460	NP/NS/NT/NZ
• 433	2	150	8.8	7.5	1460	NP/NS/NT/NZ
• W434	2	150	12.7	11.0	1460	NP/NS/NT/NZ
• 434	2	150	10.4	9.0	1460	NP/NS/NT/NZ
• 434	2	150	8.8	7.5	1460	NP/NS/NT/NZ

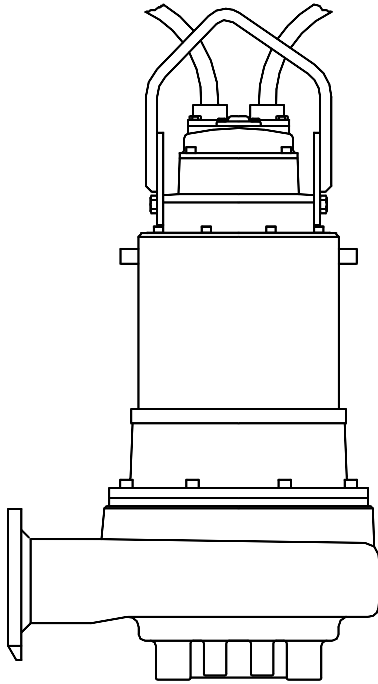
• Can be equipped with flush valve

NP/NS/NT/NZ



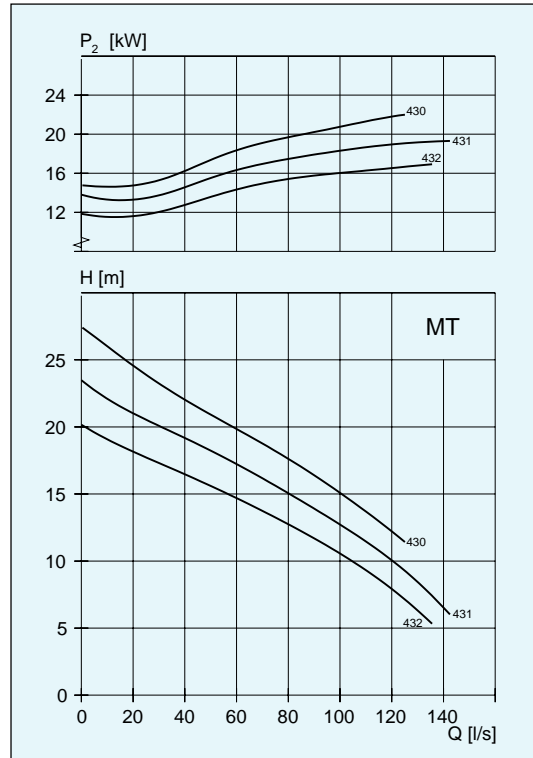
Impeller code	No. of vanes	Outlet dia mm NP vers.	Motor rating kW		rpm	Available versions
			P ₁	P ₂		
• W450	2	100	12.7	11.0	1460	NP/NS/NT/NZ
• W451	2	100	12.7	11.0	1460	NP/NS/NT/NZ
• W453	2	100	12.7	11.0	1460	NP/NS/NT/NZ
• W454	2	100	12.7	11.0	1460	NP/NS/NT/NZ
• 454	2	100	10.4	9.0	1460	NP/NS/NT/NZ
• W455	2	100	12.7	11.0	1460	NP/NS/NT/NZ
• 455	2	100	10.4	9.0	1460	NP/NS/NT/NZ
• 455	2	100	8.8	7.5	1460	NP/NS/NT/NZ
• W456	2	100	12.7	11.0	1460	NP/NS/NT/NZ
• 456	2	100	10.4	9.0	1460	NP/NS/NT/NZ
• 456	2	100	8.8	7.5	1460	NP/NS/NT/NZ

N 3170



Weight, kg	NP	NS
MT	522	542

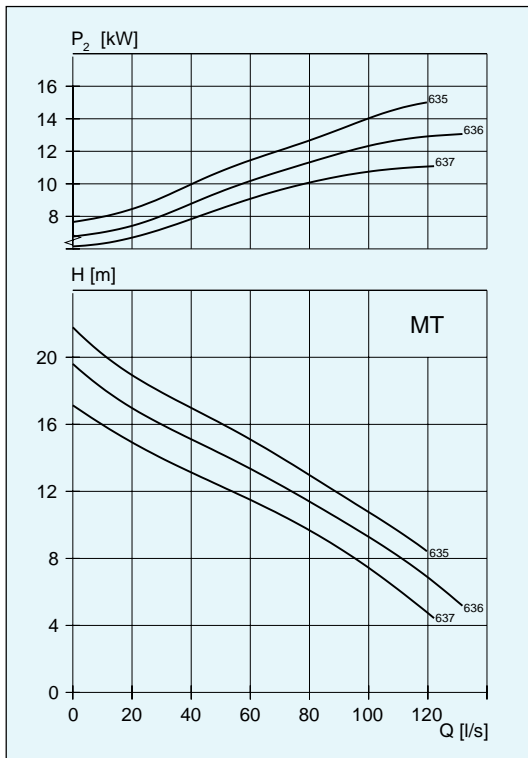
NP/NS



Impeller code	No. of vanes	Outlet dia mm NP vers.	Motor rating kW		rpm	Available versions
			P ₁	P ₂		
• 430	2	150	25	22	1460	NP/NS
• 431	2	150	25	22	1460	NP/NS
• 432	2	150	25	22	1460	NP/NS

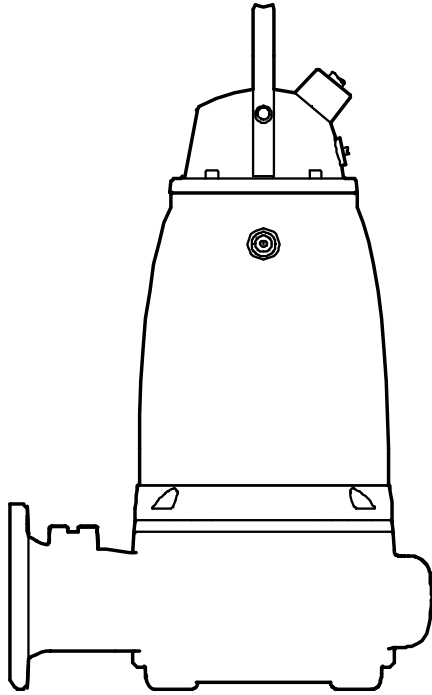
• Can be equipped with flush valve

NP/NS



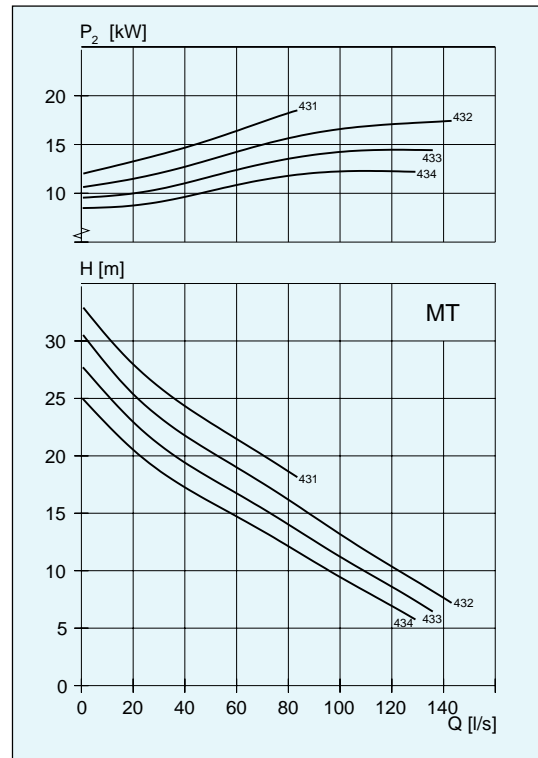
Impeller code	No. of vanes	Outlet dia mm NP vers.	Motor rating kW		rpm	Available versions
			P ₁	P ₂		
• 635	2	150	17.5	15	1460	NP/NS
• 636	2	150	17.5	15	1460	NP/NS
• 637	2	150	17.5	15	1460	NP/NS

N 3171



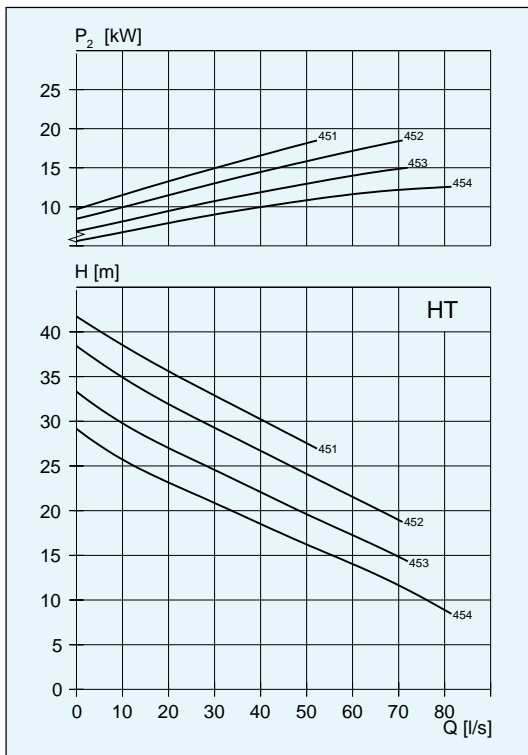
Weight, kg	NP	NS	NT
MT	312	345	399
HT	290	310	359

NP/NS/NT/NZ



Impeller code	No. of vanes	Outlet dia mm NP vers.	Motor rating kW		rpm	Available versions
			P ₁	P ₂		
•W431	2	150	21.0	18.5	1460	NP/NS/NT/NZ
•W432	2	150	21.0	18.5	1460	NP/NS/NT/NZ
•W433	2	150	21.0	18.5	1460	NP/NS/NT/NZ
•433	2	150	17.2	15.0	1460	NP/NS/NT/NZ
•W434	2	150	21.0	18.5	1460	NP/NS/NT/NZ
•434	2	150	17.2	15.0	1460	NP/NS/NT/NZ
•434	2	150	15.1	13.0	1460	NP/NS/NT/NZ

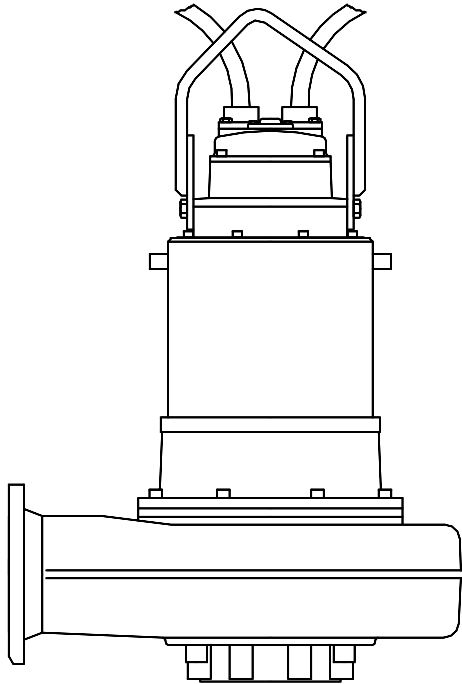
NP/NS/NT/NZ



Impeller code	No. of vanes	Outlet dia mm NP vers.	Motor rating kW		rpm	Available versions
			P ₁	P ₂		
•W451	2	100	21.0	18.5	1460	NP/NS/NT/NZ
•W452	2	100	21.0	18.5	1460	NP/NS/NT/NZ
•W453	2	100	21.0	18.5	1460	NP/NS/NT/NZ
•453	2	100	17.2	15.0	1460	NP/NS/NT/NZ
•W454	2	100	21.0	18.5	1460	NP/NS/NT/NZ
•454	2	100	17.2	15.0	1460	NP/NS/NT/NZ
•454	2	100	15.1	13.0	1460	NP/NS/NT/NZ

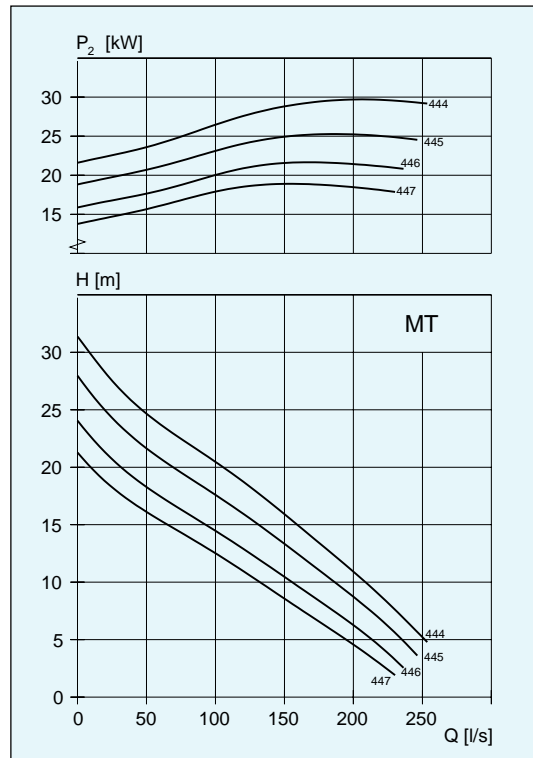
• Can be equipped with flush valve

N 3201



Weight, kg	NP	NS	NT	NZ
MT	570	598	635	635

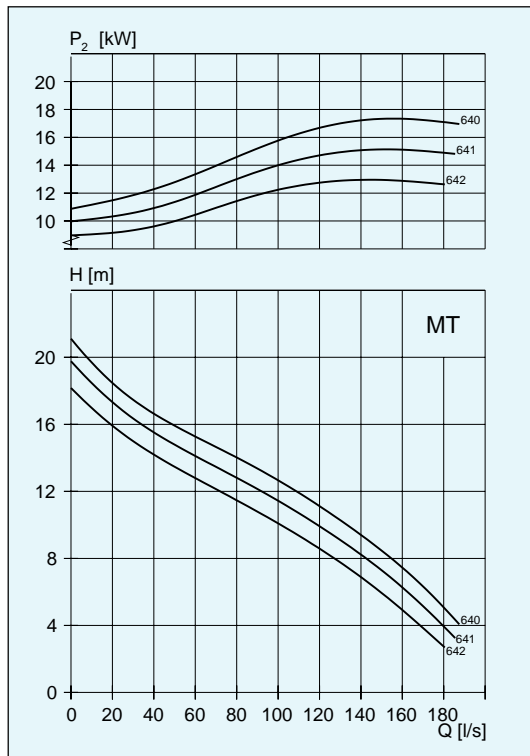
NP/NS/NT/NZ



Impeller code	No. of vanes	Outlet dia mm NP vers.	Motor rating kW		rpm	Available versions
			P ₁	P ₂		
• 444	2	200	34	30	1455	NPNSNTNZ
• 445	2	200	34	30	1455	NPNSNTNZ
• 446	2	200	34	30	1455	NPNSNTNZ
• 446	2	200	25	22	1460	NPNSNTNZ
• 447	2	200	34	30	1455	NPNSNTNZ
• 447	2	200	25	22	1460	NPNSNTNZ

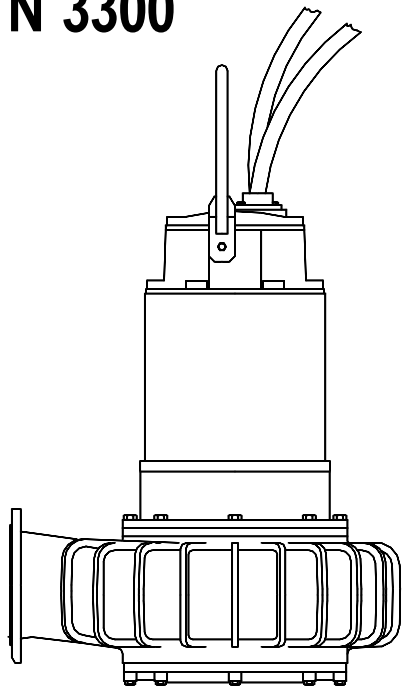
• Can be equipped with flush valve

NP/NS/NT/NZ



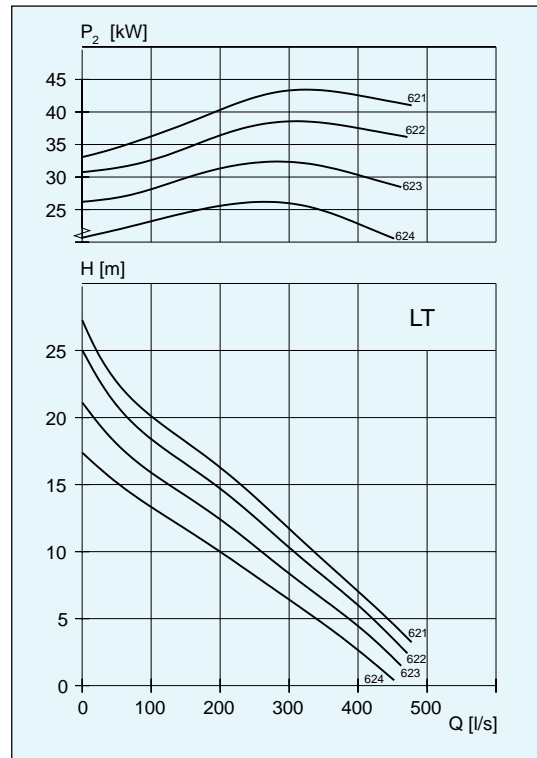
Impeller code	No. of vanes	Outlet dia mm NP vers.	Motor rating kW		rpm	Available versions
			P ₁	P ₂		
• W640	2	200	25	22	1460	NPNSNTNZ
• W641	2	200	25	22	1460	NPNSNTNZ
• W642	2	200	25	22	1460	NPNSNTNZ

N 3300



Weight, kg	NP	NS	NT	NZ
LT	1065	1180	1313	1313
MT	1092	1207	1340	1340

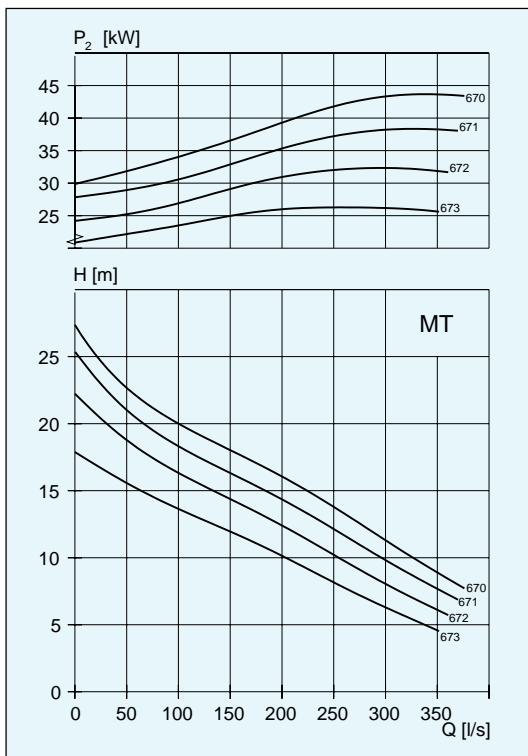
NP/NS/NT/NZ



Impeller code	No. of vanes	Outlet dia mm NP vers.	Motor rating kW		rpm	Available versions
			P ₁	P ₂		
• 621	2	300	50	44	975	NP/NS/NT/NZ
• 622	2	300	50	44	975	NP/NS/NT/NZ
• 623	2	300	50	44	975	NP/NS/NT/NZ
• 623	2	300	39	34	975	NP/NS/NT/NZ
• 624	2	300	50	44	975	NP/NS/NT/NZ
• 624	2	300	39	34	975	NP/NS/NT/NZ

• Can be equipped with flush valve

NP/NS/NT/NZ



Impeller code	No. of vanes	Outlet dia mm NP vers.	Motor rating kW		rpm	Available versions
			P ₁	P ₂		
• 670	2	250	50	44	975	NP/NS/NT/NZ
• 671	2	250	50	44	975	NP/NS/NT/NZ
• 672	2	250	50	44	975	NP/NS/NT/NZ
• 672	2	250	39	34	975	NP/NS/NT/NZ
• 673	2	250	50	44	975	NP/NS/NT/NZ
• 673	2	250	39	34	975	NP/NS/NT/NZ