

## Latest edition?

The Service Kit Catalogue is only reprinted at long intervals. If you require the latest edition, please refer to service documentation in WebGOLD which is updated on a more regular basis.

## Sources of product documentation

In addition to the printed Service Kit Catalogue, Grundfos offers the following sources of product documentation

- WinCAPS
- WebCAPS
- WebGOLD.

### WinCAPS

WinCAPS is a **Windows-based Computer Aided Product Selection** programme containing information on more than 90,000 Grundfos products.

WinCAPS is available on CD-ROM in 16 languages.

WinCAPS offers

- detailed technical information
- selection of an optimised pump solution
- dimensional drawings of each pump
- detailed service documentation
- operating and installation instructions
- wiring diagrams of each pump.

### WebCAPS

WebCAPS **Web-based Computer Aided Product Selection** is a web-version of WinCAPS.

WebCAPS is available on the Grundfos homepage, [www.grundfos.com](http://www.grundfos.com)

WebCAPS offers

- detailed technical information
- dimensional drawings of each pump
- wiring diagrams of each pump.

### WebGOLD

WebGOLD (**Web-based Grundfos Online Literature and Drawings**) database contains information on approximately 169 product families in 25 different languages.

WebGOLD is available on the Grundfos homepage, [www.grundfos.com](http://www.grundfos.com)

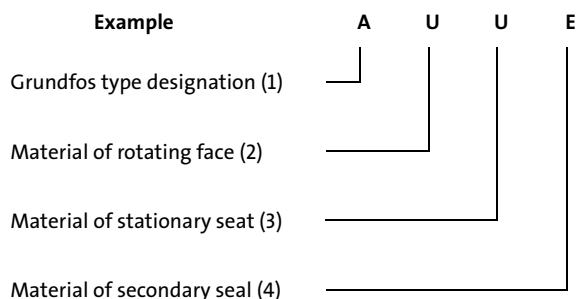
WebGOLD contains

- Data booklets
- installation and operating instructions
- service documentation
- CAD drawings (2- and 3-dimensional)
- product brochures
- case histories
- system guides
- system and concept brochures.
-

# Shaft seals

## SHAFT SEAL

The stamping code (variant code) of mechanical shaft seals is stamped on the pump nameplate. Indicated in the last Position of the type designation, the stamping code consists of four letters.



## POSITION 1 CODES

Position 1 of the mechanical shaft seal variant code shows the Grundfos type designation.

The following codes can be shown in Position 1:

Code	Description
A	O-ring seal with fixed seal driver
B	Bellows seal, rubber
C	O-ring seal with spring as seal driver
D	O-ring seal, balanced
E	O-ring seal, type A, cartridge
F	Bellows seal, type B, cartridge
G	Bellows seal, type B, with reduced seal faces
H	O-ring seal, type D, cartridge
K	Bellows seal, metal, type M, cartridge
M	Bellows seal, metal
O	Double seal, back-to-back
P	Double seal, tandem
Q	Seal with flush, quench seal
R	O-ring seal, type A, with reduced seal faces
S	Stuffing box
T	Floating gap seal
X	Miscellaneous

## POSITIONS 2 AND 3 CODES

Positions 2 and 3 of the mechanical shaft seal variant code show materials of rotating face and stationary seat.

The following codes can be shown in Positions 2 and 3:

Code	Material	
A	Carbon, metal-impregnated	
B	Carbon, resin-impregnated	
H (B/U)	Synthetic carbon Carbon with embedded tungsten carbide (WC) (hybrid)	
C		Other carbons
D	Metals Steel	
N		Bronze
S		Cast chromium steel
U	Carbides Tungsten carbide (WC), chromium-nickel-molybdenum-bonded	
Q		Q <sub>1</sub> <sup>S</sup> : Dense, sintered, fine-grained silicon carbide (SiC)
Q		Q <sub>1</sub> <sup>P</sup> : Porous, sintered, fine-grained silicon carbide (SiC)
V	Metal oxides Ceramic (aluminium oxide)	
Q		Q <sub>1</sub> <sup>G</sup> : Graphite-containing, sintered silicon carbide (SiC)

## POSITION 4 CODES

Position 4 of the mechanical shaft seal variant code shows the secondary seal material.

The following codes can be shown in Position 4:

Code	Material
E	EPDM
F	FXM (Fluoraz <sup>®</sup> )
V	FKM (Viton <sup>®</sup> )
K	FFKM (Kalrez <sup>®</sup> )
M	PTFE-sheathed O-ring
P	NBR (nitrile rubber)
S	Q (silicone rubber)
T	PTFE (Teflon <sup>®</sup> )
X	Other elastomers

# CLM, CDM, CLP

50/60 Hz  
Models A and B

## SHAFT SEAL KIT: MODEL A

Pos.	CLM	32, 40, 50, 65, 80	100, 125	150, 200	32, 40, 50, 65, 80	100, 125	150, 200
	CDM	40, 50, 65, 80, 100	125, 150	200, 210	40, 50, 65, 80, 100	125, 150	200, 210
	CLP	50, 65 max. 7.5 kW	65, 80 min. 11 kW	100	50, 65 max. 7.5 kW	65, 80 min. 11 kW	100
	Kit no.	S0608155	S0608156	S0608158	96479821	96479822	96479823
	Shaft diam. (mm)	25	32	45	25	32	45
Description	BAQE	BAQE	BAQE	BQQE	BQQE	BQQE	
73250	Pin	1	1	1	1	1	1
74121	O-ring	1	1	1	1	1	1
74122	O-ring	1	1	1	1	1	1
74123	O-ring	1	1	1	1	1	1
74330	Shaft seal	1	1	1	1	1	1
77230	Oval flange	1	1	1	1	1	1
79400	Parallel key	1	1	1	1	1	1
	Distance piece			1			1

## SHAFT SEAL KIT: MODEL B

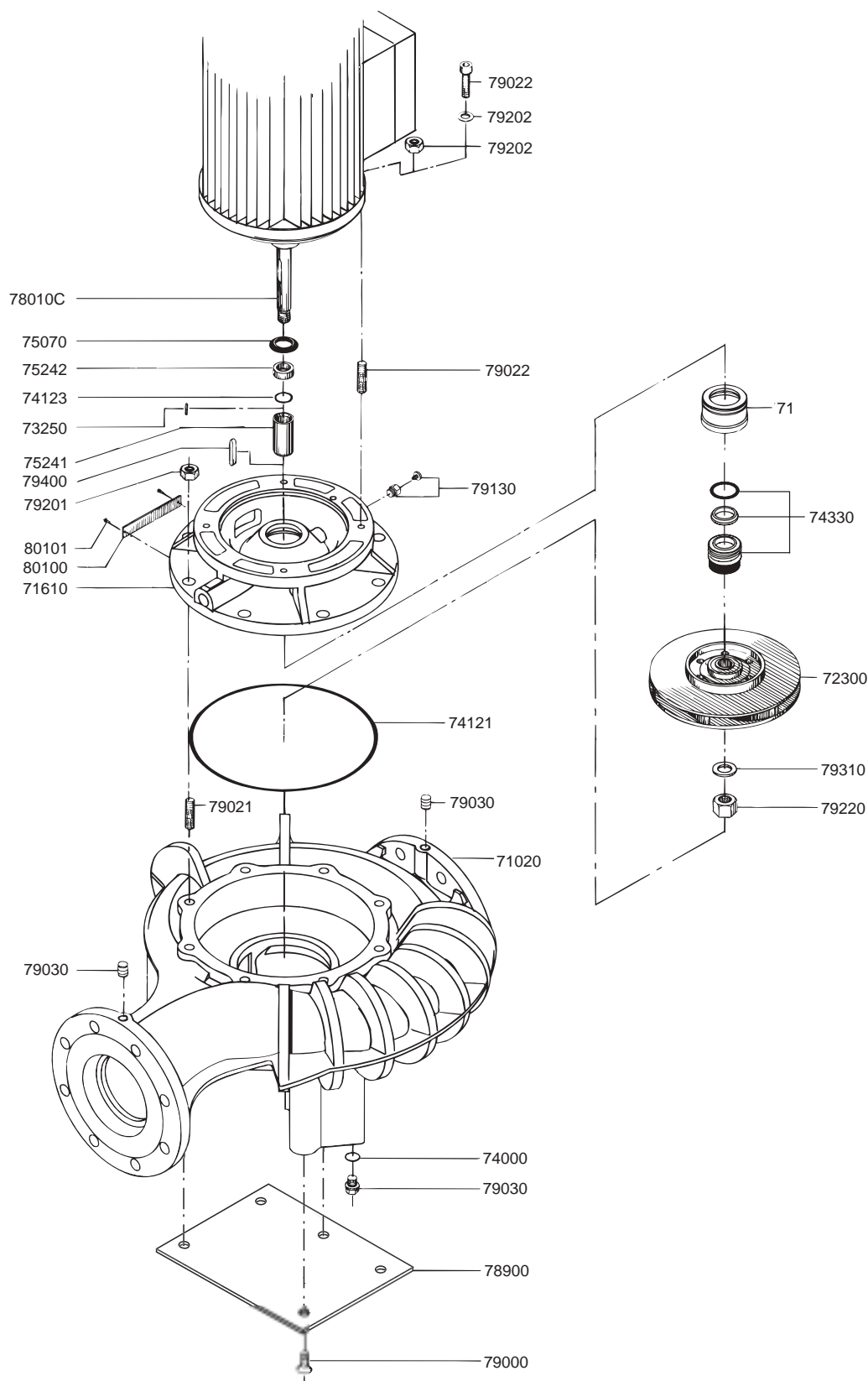
Pos.	CLM	100, 125	150, 200	100, 125	150, 200	100, 125	150, 200
	CDM	125, 150	200, 210	125, 150	200, 210	125, 150	200, 210
	Kit no.	S0810108	S0810109	96432382	96432381	96432384	96432383
	Shaft diam. (mm)	33	45	33	45	33	45
	Description	BBUE	BBUE	BQQE	BQQE	GQQE	GQQE
73250	Pin	1	1	1	1	1	1
74121	O-ring	1	1	1	1	1	1
74122	O-ring	1	1	1	1	1	1
74123	O-ring	1	1	1	1	1	1
74330	Shaft seal	1	1	1	1	1	1
79400	Parallel key	1	1	1	1	1	1

## SHAFT SEAL KIT: G-VERSION

Pos.	CLM model B	65, 80	100, 125	150, 200
	CLP	65, 80 max. 7.5 kW	65, 80 min. 11 kW	100
	Kit no.	S0524301	S0524441	S0524492
	Shaft diam. (mm)	25	32	45
	Description	DAQE	DAQE	DAQE
74330	Shaft seal	1	1	1

50/60 Hz  
Models A and B

# CLM, CDM, CLP

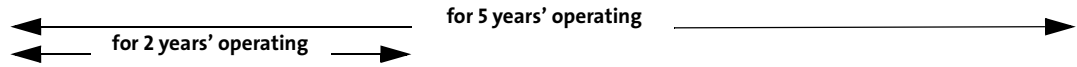


TM00 39671703

# CDM 125/150/200/210

50 Hz  
Model B

## RECOMMENDED SPARE PARTS FOR 2 AND 5 YEARS' OPERATING TIME



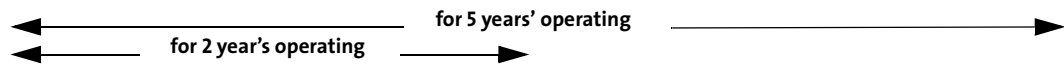
Type	Kw	Shaft seal BBUE	Shaft seal BQQE	Shaft seal GQQE	Shaft sleeve	Impeller* left	Impeller* right	ND-Motor bearing	DE-Motor bearing
CDM 125-155	2.2	S0810108	96432382	96432384	S0810073	S0599212	S0597848	S9503495	S0503002
CDM 125-180	2.2	S0810108	96432382	96432384	S0810073	S0599212	S0597848	S9503495	S0503002
CDM 125-198	3.0	S0810108	96432382	96432384	S0810073	S0599212	S0597848	S9503495	S0503002
CDM 125-213	4.0	S0810108	96432382	96432384	S0810073	S0599212	S0597848	S0505364	S9503495
CDM 125-225	5.5	S0810108	96432382	96432384	S0810073	S0599212	S0597848	S0505364	S9503495
CDM 150-150	2.2	S0810108	96432382	96432384	S0810073	S0599115	S0597805	S9503495	S0503002
CDM 150-188	2.2	S0810108	96432382	96432384	S0810073	S0599115	S0597805	S9503495	S0503002
CDM 150-201	3.0	S0810108	96432382	96432384	S0810073	S0599115	S0597805	S9503495	S0503002
CDM 150-214	4.0	S0810108	96432382	96432384	S0810073	S0599115	S0597805	S0505364	S9503495
CDM 150-229	5.5	S0810108	96432382	96432384	S0810073	S0599115	S0597805	S0505364	S9503495
CDM 150-242	7.5	S0810108	96432382	96432384	S0810073	S0599115	S0597805	S3503630	S3505363
CDM 150-248	11.0	S0810108	96432382	96432384	S0810073	S0599115	S0597805	S3503630	S3505363
CDM 200-195	5.5	S0810109	96432381	96432383	S0594644	S0599239	S0597783	S0505364	S9503495
CDM 200-210	7.5	S0810109	96432381	96432383	S0594644	S0599239	S0597783	S3503630	S3505363
CDM 200-240	11.0	S0810109	96432381	96432383	S0594644	S0599239	S0597783	S3503630	S3505363
CDM 200-263	15.0	S0810109	96432381	96432383	S0594644	S0599239	S0597783	S3503630	S3505363
CDM 200-271	18.5	S0810109	96432381	96432383	S0594644	S0599239	S0597783	S9505358	S7505363
CDM 200-278	22.0	S0810109	96432381	96432383	S0594644	S0599239	S0597783	S9505358	S7505363
CDM 210-240	18.5	S0810109	96432381	96432383	S0594644	S0542016	S0541974	S9505358	S7505363
CDM 210-257	22.0	S0810109	96432381	96432383	S0594644	S0542016	S0541974	S9505358	S7505363
CDM 210-287	30.0	S0810109	96432381	96432383	S0594644	S0542016	S0541974	S9505358	S9505358
CDM 210-305	37.0	S0810109	96432381	96432383	S0594644	S0542016	S0541974	S0505365	S0505359
CDM 210-313	45.0	S0810109	96432381	96432383	S0594644	S0542016	S0541974	S0505365	S0505359

\* The part number of the impeller is the impeller with max. diameter. Inform about the actual diameter when ordering.

Number of pumps	Number of shaft seals	Number of shaft sleeves	Number of impellers	Number of ND bearings	Number of DE bearings
1	1	1	1	1	1
2	1	1	1	2	2
3	2	2	2	3	3
4	2	2	2	4	4
5	2	2	2	5	5
6	3	3	3	6	6
7	3	3	3	7	7
8	3	3	3	8	8
9	3	3	3	9	9
10	3	3	3	10	10

# CLM 100/125/150/200

## RECOMMENDED SPARE PARTS FOR 2 AND 5 YEARS' OPERATING TIME



Type	kW	Shaft seal DAQE	Shaft seal BBUE	Shaft seal BQQE	Shaft seal GQQE	Shaft sleeve	Impeller*	DE-Motor bearing	ND-Motor bearing
		G-version							
CLM 65-110	0.55	S0524301				S0594628	S0597929	S9502995	S1505362
CLM 65-135	0.55	S0524301				S0594628	S0597929	S9502995	S1505362
CLM 65-142	0.75	S0524301				S0594628	S0597929	S9502995	S1505362
CLM 65-157	0.75	S0524301				S0594628	S0597929	S9502995	S1505362
CLM 65-176	1.1	S0524301				S0594628	S0597929	S3505145	S0503002
CLM 65-195	1.5	S0524301				S0594628	S0597929	S3505145	S0503002
CLM 80-120	0.75	S0524301				S0594636	S0597880	S9502995	S1505362
CLM 80-150	0.75	S0524301				S0594636	S0597880	S9502995	S1505362
CLM 80-170	1.1	S0524301				S0594636	S0597880	S3505145	S0503002
CLM 80-183	1.5	S0524301				S0594636	S0597880	S3505145	S0503002
CLM 80-192	2.2	S0524301				S0594636	S0597880	S9503495	S0503002
CLM 80-210	3.0	S0524301				S0594636	S0597880	S9503495	S0503002
CLM 100-158	2.2	S0524441	S0810108	96432382	96432384	S0810073	S0597848	S9503495	S0503002
CLM 100-178	2.2	S0524441	S0810108	96432382	96432384	S0810073	S0597848	S9503495	S0503002
CLM 100-203	3.0	S0524441	S0810108	96432382	96432384	S0810073	S0597848	S9503495	S0503002
CLM 100-217	4.0	S0524441	S0810108	96432382	96432384	S0810073	S0597848	S0505364	S9503495
CLM 100-225	5.5	S0524441	S0810108	96432382	96432384	S0810073	S0597848	S0505364	S9503495
CLM 125-160	2.2	S0524441	S0810108	96432382	96432384	S0810073	S0597805	S9503495	S0503002
CLM 125-177	2.2	S0524441	S0810108	96432382	96432384	S0810073	S0597805	S9503495	S0503002
CLM 125-197	3.0	S0524441	S0810108	96432382	96432384	S0810073	S0597805	S9503495	S0503002
CLM 125-211	4.0	S0524441	S0810108	96432382	96432384	S0810073	S0597805	S0505364	S9503495
CLM 125-228	5.5	S0524441	S0810108	96432382	96432384	S0810073	S0597805	S0505364	S9503495
CLM 125-242	7.5	S0524441	S0810108	96432382	96432384	S0810073	S0597805	S3503630	S7505363
CLM 150-195	5.5	S0524492	S0810109	96432381	96432383	S0594644	S0597783	S0505364	S9503495
CLM 150-216	7.5	S0524492	S0810109	96432381	96432383	S0594644	S0597783	S3503630	S3505363
CLM 150-242	11.0	S0524492	S0810109	96432381	96432383	S0594644	S0597783	S3503630	S3505363
CLM 150-264	15.0	S0524492	S0810109	96432381	96432383	S0594644	S0597783	S3503630	S3505363
CLM 150-271	18.5	S0524492	S0810109	96432381	96432383	S0594644	S0597783	S9505358	S3505363
CLM 150-278	22.0	S0524492	S0810109	96432381	96432383	S0594644	S0597783	S9505358	S3505363
CLM 200-240	18.5	S0524492	S0810109	96432381	96432383	S0594644	S0541974	S9505358	S3505363
CLM 200-261	22.0	S0524492	S0810109	96432381	96432383	S0594644	S0541974	S9505358	S3505363
CLM 200-282	30.0	S0524492	S0810109	96432381	96432383	S0594644	S0541974	S9505358	S9505358
CLM 200-300	37.0	S0524492	S0810109	96432381	96432383	S0594644	S0541974	S0505365	S0505359
CLM 200-315	45.0	S0524492	S0810109	96432381	96432383	S0594644	S0541974	S0505365	S0505359

\* The part number of the impeller is the impeller with max. diameter. Inform about the actual diameter when ordering.

Number of pumps	Number of shaft seals	Number of shaft sleeves	Number of impellers	Number of ND bearings	Number of DE bearings
1	1	1	1	1	1
2	1	1	1	2	2
3	2	2	2	3	3
4	2	2	2	4	4
5	2	2	2	5	5
6	3	3	3	6	6
7	3	3	3	7	7
8	3	3	3	8	8
9	3	3	3	9	9
10	3	3	3	10	10