

DWK and DPK pumps

0.75 - 90 kW

50 Hz



be
think
innovate

GRUNDFOS 

www.motralec.com / service-commercial@motralec.com / 01.39.97.65.10

1. Introduction	3
Applications	3
Constructional features	3
2. Identification	5
Type keys	5
3. Selection of product	6
Ordering a pump	6
4. Performance range	7
Performance range	7
List of performance curves	9
5. Product range	10
6. Variants	14
List of variants	14
7. Construction	15
Outlet connections	15
Exploded views and sectional drawings	16
Material specification	53
8. Product description	54
Features	54
Operating conditions	55
Motor range	56
Pump controllers	56
Frequency converter operation	56
Wiring diagrams	57
9. Curve charts and technical data	58
How to read the curve charts	58
Curve conditions	59
Performance tests	59
Certificates	59
Witness test	59
10. Performance curves and technical data	60
DWK.O	60
DWK.E	90
DPK	114
DPK.V	134
11. Accessories	154
DWK	154
DPK	158
DPK.V	160
12. Grundfos Product Center	161

1. Introduction

This data booklet describes Grundfos dewatering and drainage pumps, types DWK and DPK.



GrA 8104 - GrA 8105

Fig. 1 DWK and DPK pumps for free-standing installation

The pumps are designed with an enclosed, semi-open or SuperVortex, free-flow impeller, for use in a wide range of building and industrial applications.

The pumps are made of resistant materials, such as cast iron and high-chrome stainless steel. These materials ensure proper operation.

The DWK and DPK pumps are fitted with 2-pole motors from 0.75 kW up to 90.0 kW. The DPK.V pumps are fitted with 2- and 4-pole motors from 1.5 - 7.5 kW.

For DWK and DPK pumps, the free passage in the pumps is 10-20 mm. For DPK.V pumps, the free passage is 65-80 mm.

The pumps are available for two installation types:

- submerged installation, free-standing (DWK and DPK)
- submerged installation on auto-coupling system (only DPK).

The pumps are ideal for the pumping of the liquids listed in section [Applications](#), page 3.

Applications

DWK and DPK pumps are typically used for the transfer of the following liquids:

- drainage water
- surface water
- groundwater
- water containing abrasives.

DPK.V pumps are typically used for the transfer of the following liquids:

- effluent
- screened sewage.

Typical places: building services, basement garages, construction building sites, low-lying rainwater catchment sites, process industry.

Constructional features

The DWK and DPK pump design with double mechanical seal positioned in an oil chamber ensures trouble-free operation.

DWK pumps are only available with inlet strainer for free-standing installation.

DPK pumps up to and including 2.2 kW are supplied with ring stand. DPK pumps of 3.7 kW and larger are supplied without ring stand.

DPK.V pumps are supplied without the ring stand.

Ring stand, elbow or auto coupling for these pumps must be ordered as accessories.

Both pump models can be installed as single pumps or be part of multi-pump installations.

If required, the impeller diameter can be reduced so as to match a specific duty point.

Outlet connection, DWK

- standard material versions have a DIN flange connection as standard
- R high-grade material versions have hose coupling as standard.

Other outlet connections, or no outlet connection, are available on request. See section [Variants](#), page 14.

Outlet connection, DPK

As standard, DPK pumps have no outlet connection. Various outlet connections are available on request. See section [Variants](#), page 14. Installation accessories and various outlet connections for various outlet types can be found in section [Accessories](#), page 154.

The pump outlet is available with auto coupling (ADC-T) or outlet elbow as a variant.

The following sections give further constructional details on the four pump models DWK.O, DWK.E, DPK and DPK.V.

DWK.O

- Watertight cable entry preventing water from penetrating into the motor
- no extra cable required for sensors
- bimetallic thermal switch for motor overheating detection, except in these models:
DWK.O.x.x.075.x.x.R
DWK.O.x.x.15.x.x.R
DWK.O.x.x.22.x.x.R
DWK.O.x.x.37.x.0D.R
- built-in circuit breaker for motor overheating detection in these models:
DWK.O.x.x.075.x.x.R
DWK.O.x.x.15.x.x.R
DWK.O.x.x.22.x.x.R
DWK.O.x.x.37.x.0D.R
- seal sensor for continuous monitoring of motor enclosure for liquid detection, except in these models:
DWK.O.x.x.075.x.x
DWK.O.x.x.15.x.x
DWK.O.x.x.22.x.x
DWK.O.x.x.37.x.x
- top outlet port contributing to compact and narrow design
- in R-versions, high-chrome stainless-steel impeller and stainless-steel strainer for increased wear resistance when pumping water containing abrasives
- double mechanical shaft seal (SiC-SiC) for heavy-duty conditions
- high-efficiency motor for high and stable performance and low operating costs.

DWK.E

- Triple cable entry system consisting of a rubber ring with epoxy diaphragm barrier and a rubber cover ensures water-proof operation
- no extra cable required for sensors, except in these models:
DWK.E.x.x.75.x.x.x
DWK.E.x.x.90.x.x.x
- bimetallic thermal switch for motor overheating detection
- seal sensor for continuous monitoring of motor enclosure for liquid detection
- top outlet port contributing to compact and narrow design
- motor cooling jacket contributing to motor cooling and enabling water level down to top of inlet strainer
- in R-versions, high-chrome stainless-steel impeller and stainless-steel strainer for increased wear resistance when pumping water containing abrasives
- triple sealing system consisting of a double mechanical shaft seal (SiC-SiC) in the oil chamber and an extra lip seal to withstand high pressures
- high-efficiency motor for high and stable performance and low operating costs.

DPK

- Watertight cable entry preventing water from penetrating into the motor
- no extra cable required for sensors
- bimetallic thermal switch for motor overheating detection
- seal sensor for continuous monitoring of motor enclosure for liquid detection, except in these models:
DPK.x.x.075.x.x
DPK.x.x.15.x.x
DPK.x.x.22.x.x
DPK.x.x.37.x.x
- ductile cast-iron impeller for high and stable performance
- double mechanical shaft seal (SiC-SiC) for heavy-duty conditions
- high-efficiency motor for high and stable performance and low operating costs.

DPK.V

- SuperVortex impeller in non-clogging design, ideal for liquids with high content of solids, fibres or gassy sludge
- watertight cable entry preventing water from penetrating into the motor
- no extra cable required for sensors
- bimetallic thermal switch for motor overheating detection
- seal sensor for continuous monitoring of motor enclosure for liquid detection, except in these models:
DPK.V.65.80.15.X.X
DPK.V.65.80.22.X.X
DPK.V.80.80.37.X.X
- ductile cast-iron or stainless steel impeller for high and stable performance
- double mechanical shaft seal (SiC-SiC) for heavy-duty conditions
- high-efficiency motor for high and stable performance and low operating costs.

2. Identification

Nameplate

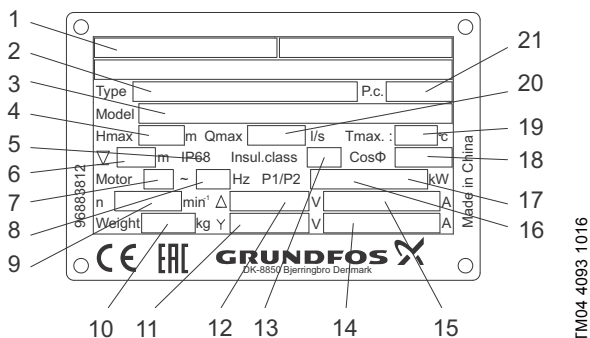


Fig. 2 DWK and DPK nameplate

Pos.	Description
1	Notified body
2	Type designation
3	Product number and serial number
4	Maximum head [m]
5	Enclosure class
6	Maximum installation depth [m]
7	Number of phases
8	Frequency [Hz]
9	Speed [min ⁻¹]
10	Weight
11	Rated voltage [V], star
12	Rated voltage [V], delta
13	Insulation class
14	Rated current [A], star
15	Rated current [A], delta
16	Motor input power P1 [kW]
17	Motor output power P2 [kW]
18	Power factor
19	Maximum liquid temperature [°C]
20	Maximum flow [m ³ /h]
21	Production code [year/week]

Type keys

DWK

Code Example	DWK .O .6 .50 .075 .5 .0D R
DWK Grundfos dewatering pump	
O	Semi-open impeller
E	Enclosed impeller
Strainer hole size	
6	Maximum solids size [mm]
Pump outlet	
50	Nominal diameter of pump outlet port [mm]
Code for output power, P2	
075	Code number from type designation / 10 [kW]. Exception: code 075 = 0.75 kW.
Equipment	
[]	Standard
Frequency	
5	50 Hz
6	60 Hz
Voltage and starting method	
0D	380-415 V, DOL
1D	380-415 V, Y/D
0E	220-240 V, DOL
1E	220-240 V, Y/D
Pump version	
[]	Standard
R	Cast-iron pump with high-chrome stainless-steel impeller and stainless-steel inlet strainer
Z	Custom-built variant

Note: The pumps are not available in all variants.

DPK

Code Example	DPK .V .65 .80 .22 .5 .0D
DPK Grundfos drainage pump	
Impeller design	
[]	Single-channel, semi-open impeller
V	SuperVortex impeller
Free passage	
65	Maximum solids size [mm]
Pump outlet	
80	Nominal diameter of pump outlet port [mm]
Code for output power, P2	
22	Code number from type designation / 10 [kW]. Exception: code 075 = 0.75 kW.
Equipment	
[]	Standard
S	With extra sensor (only for 0.75 to 3.7 kW)
Frequency	
5	50 Hz
6	60 Hz
Voltage and starting method	
0D	380-415 V, DOL
1D	380-415 V, Y/D
0E	220-240 V, DOL
1E	220-240 V, Y/D
Z	Custom built-variant

Note: The pumps are not available in all variants.

3. Selection of product

Ordering a pump

When ordering a pump, you need to take the following aspects into consideration:

- pump type
- custom-built variant (option)
- accessories
- controller
- installation type and outlet connection type for DPK
- outlet connection type for DWK.

Pump

Use the following table to identify which type of pump that best meets your needs. The table is for guidance only.

Application	DWK		DPK	
	O	E	-	V
Groundwater	•	•	•	-
Drainage and surface water	•	•	•	-
Effluent	-	-	-	•
Screened sewage	-	-	-	•
Drainage and surface water with small impurities	-	-	•	-
Abrasive surface water	•	•	-	-
Industrial process water without solids and fibres	•	•	•	-
Industrial process water with small solids and fibres	-	-	-	•

When you have selected the pump type, you can identify the specific pump that best meets your needs in sections [Product range](#), page 10, and [Type keys](#), page 5. The list below is a detailed description of the product you get if you order this pump:

Pump	Product number
DWK.O.6.50.075.5.0E	96922640

- Pump as specified in the type key
- 10 m cable
- paint: NCS S9000-N (black), gloss code 35, thickness 100 µm
- bimetallic thermal switch for motor overheating detection, except in these models:
DWK.O.x.x.075.x.x.R
DWK.O.x.x.15.x.x.R
DWK.O.x.x.22.x.x.R
DWK.O.x.x.37.x.OD.R
- built-in circuit breaker for motor overheating detection in these models:
DWK.O.x.x.075.x.x.R
DWK.O.x.x.15.x.x.R
DWK.O.x.x.22.x.x.R
DWK.O.x.x.37.x.OD.R

- seal sensor for continuous monitoring of motor enclosure for liquid detection, except in these models:
DWK.O.x.x.075.x.x
DWK.O.x.x.15.x.x
DWK.O.x.x.22.x.x
DWK.O.x.x.37.x.x
- tested according to ISO 9906:2012, grade 3B.
- DWK comes with a DIN flange outlet connection as standard.
- DWK R version comes with a hose outlet connection as standard.

If you order a DPK pump up to and including 2.2 kW, it will be supplied with ring stand for free-standing installation. DPK pumps from 3.7 kW and upwards are supplied without ring stand. Ring stand, elbow or auto coupling for these pumps must be ordered as accessories.

Note: As standard, DPK pumps have no outlet connection. If an installation connection is required, ask for an adapter, e.g. a DIN or JIS-ANSI outlet elbow. See section [Accessories](#), page 154.

See section [Performance curves and technical data](#) on page 60 for selection of a standard pump.

Note: Product-specific data for the pump can also be found in Grundfos Product Center at www.Grundfos.com.

For further details about Grundfos Product Center, see page 161.

Custom-built variants

The pumps can be customised to meet individual requirements. Many pump features and options are available for customisation, such as voltage, various cable lengths and special materials.

An overview of the variants can be seen in section [Variants](#), page 14. For requirements or designs not mentioned in the table, contact Grundfos.

Accessories

Depending on the installation type, accessories may be required. See section [Accessories](#), page 154, for selection of the correct accessories.

Note: Accessories ordered are not fitted from factory.

Monitoring units and controllers

The following monitoring units and controllers are available:

- GU01 (control system)
- GU02 (control system)
- LC/LCD 108 with float switches
- LC/LCD 110 with water level electrodes.

4. Performance range

Performance range

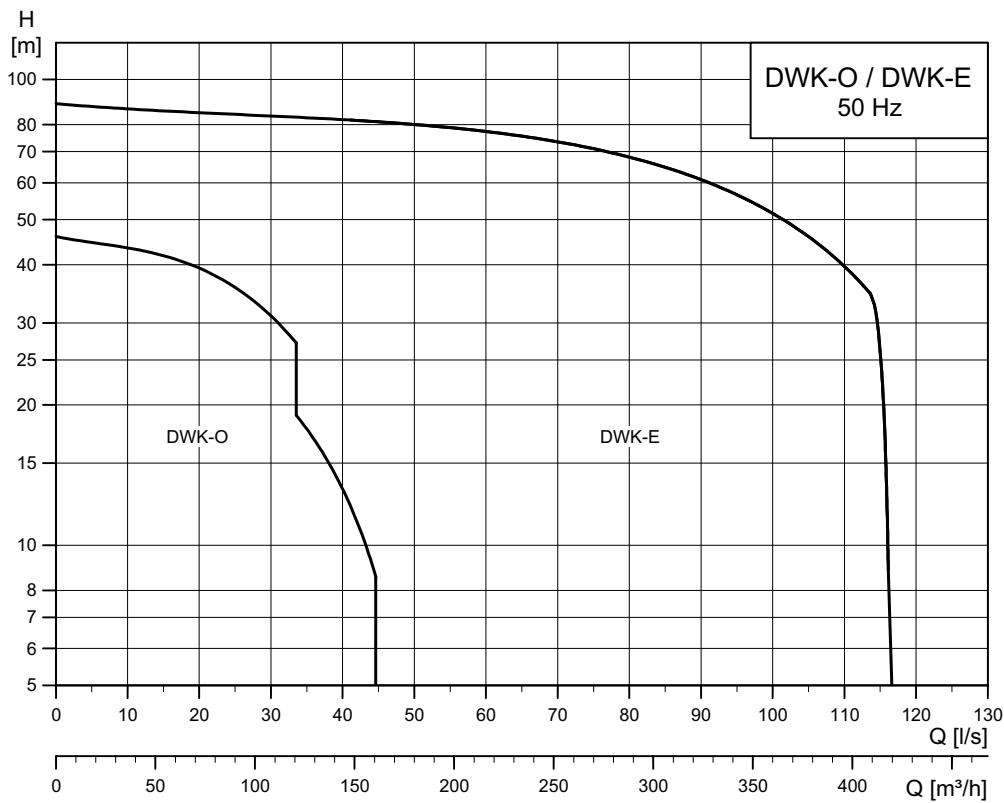


Fig. 3 Performance range, DWK

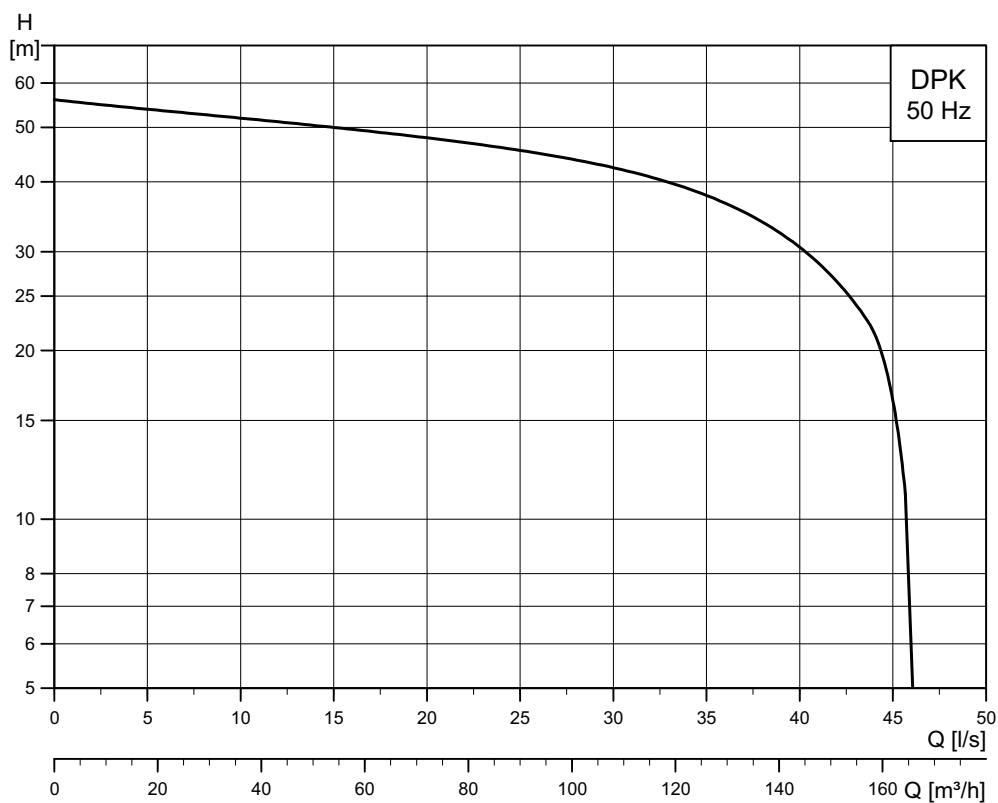


Fig. 4 Performance range, DPK

TM04 2949 4514

TM04 2859 4514

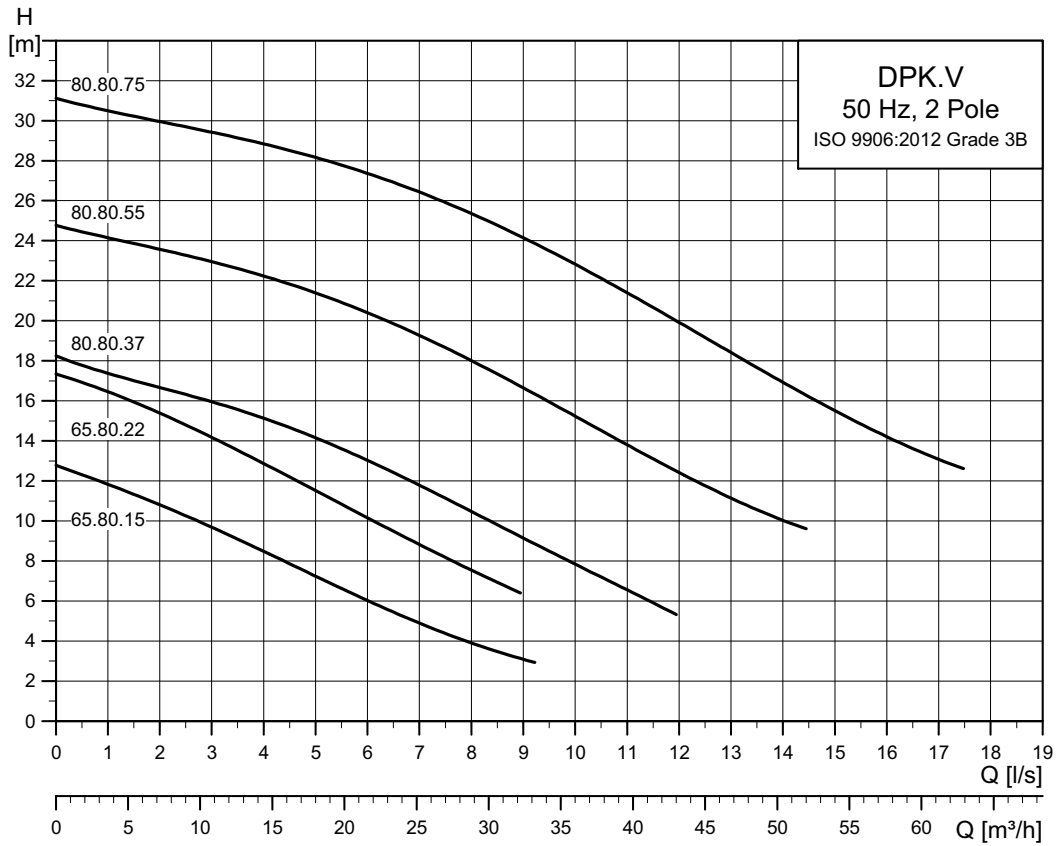


Fig. 5 Performance range, DPK.V, 2-pole

TM06 5855 0216

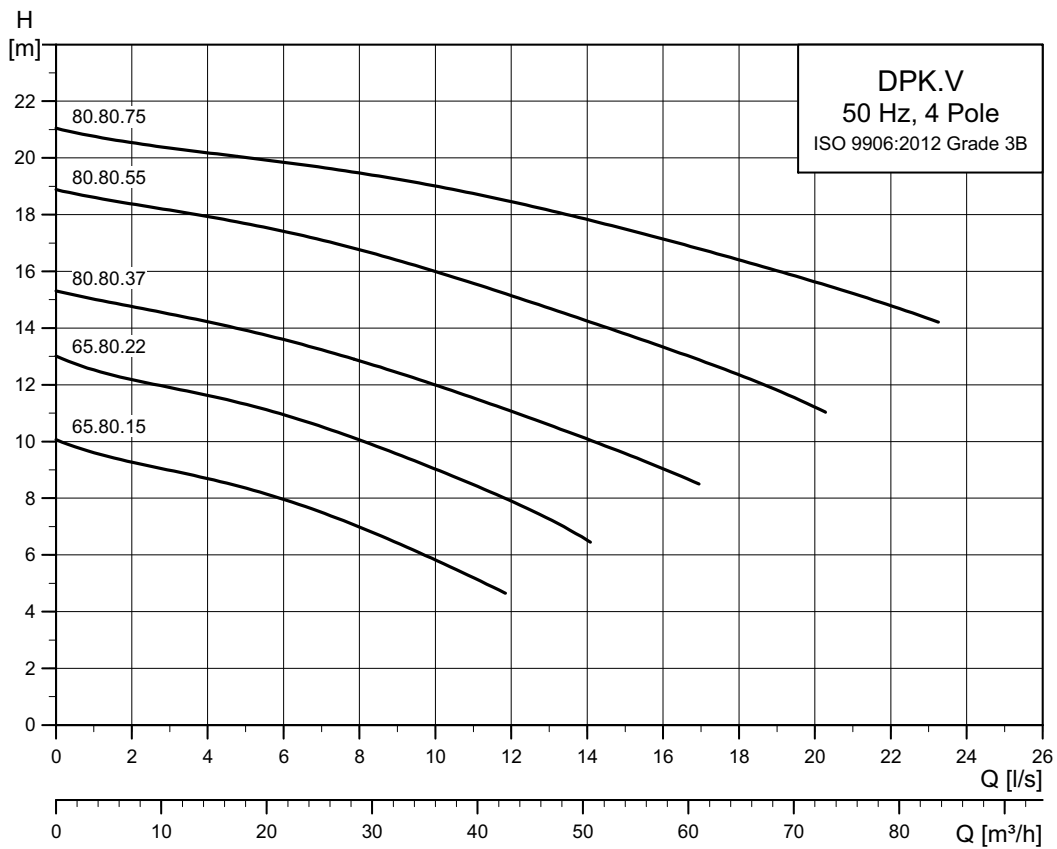


Fig. 6 Performance range, DPK.V, 4-pole

TM06 5856 0216

List of performance curves

You can find curves for a specific pump in section [Performance curves and technical data](#), page 60. The table below shows on which pages the curve for the pump types mentioned can be found.

DWK		
Pump type	Page	
DWK.O	DWK.O.6.50.075	60
	DWK.O.6.50.15	62
	DWK.O.6.50.22	64
	DWK.O.6.80.15	66
	DWK.O.6.80.22	68
	DWK.O.10.80.37	70
	DWK.O.13.80.55	72
	DWK.O.10.100.37	74
	DWK.O.13.100.55	76
	DWK.O.13.100.75	78
	DWK.O.13.100.110	80
	DWK.O.13.100.150	82
	DWK.O.13.150.75	84
	DWK.O.13.150.110	86
	DWK.O.13.150.150	88
DWK.E	DWK.E.10.100.220	90
	DWK.E.10.150.220	92
	DWK.E.10.150.300	94
	DWK.E.10.150.370	96
	DWK.E.10.150.450	98
	DWK.E.10.150.550	100
	DWK.E.10.200.300	102
	DWK.E.10.200.370	104
	DWK.E.10.200.450	106
	DWK.E.10.200.550	108
DWK.E.10.200.750	110	
DWK.E.10.200.900	112	

DPK		
Pump type	Page	
DPK	DPK.10.50.075	114
	DPK.10.50.15	116
	DPK.10.80.22	118
	DPK.15.80.37	120
	DPK.15.80.55	122
	DPK.15.100.75	124
	DPK.20.100.110	126
	DPK.20.100.150	128
	DPK.20.150.190	130
	DPK.20.150.220	132
DPK.V	DPK.V.65.80.15.2	134
	DPK.V.65.80.15.4	136
	DPK.V.65.80.22.2	138
	DPK.V.65.80.22.4	140
	DPK.V.80.80.37.2	142
	DPK.V.80.80.37.4	144
	DPK.V.80.80.55.2	146
	DPK.V.80.80.55.4	148
DPK.V.80.80.75.2	150	
DPK.V.80.80.75.4	152	

5. Product range

DWK.O

Pump type	Voltage [V]	Starting method	Thermal protection	Impeller type	Product number
DWK.O.6.50.075.5.0D	3 x 380-415 V Y	DOL	Thermal switch	Semi-open	96922639
DWK.O.6.50.075.5.0E	3 x 220-240 V D	DOL	Thermal switch	Semi-open	96922640
DWK.O.6.50.075.5.0D.R	3 x 380-415 V Y	DOL	Thermal switch	Semi-open	96922719
DWK.O.6.50.075.5.0E.R	3 x 220-240 V Y	DOL	Thermal switch	Semi-open	96922720
DWK.O.6.50.15.5.0D	3 x 380-415 V Y	DOL	Thermal switch	Semi-open	96922641
DWK.O.6.50.15.5.0E	3 x 220-240 V D	DOL	Thermal switch	Semi-open	96922642
DWK.O.6.50.15.5.0D.R	3 x 380-415 V Y	DOL	Thermal switch	Semi-open	96922721
DWK.O.6.50.15.5.0E.R	3 x 220-240 V Y	DOL	Thermal switch	Semi-open	96922722
DWK.O.6.50.22.5.0D	3 x 380-415 V Y	DOL	Thermal switch	Semi-open	96922645
DWK.O.6.50.22.5.0E	3 x 220-240 V D	DOL	Thermal switch	Semi-open	96922646
DWK.O.6.50.22.5.0D.R	3 x 380-415 V Y	DOL	Thermal switch	Semi-open	96922725
DWK.O.6.50.22.5.0E.R	3 x 220-240 V Y	DOL	Thermal switch	Semi-open	96922726
DWK.O.6.80.15.5.0D	3 x 380-415 V Y	DOL	Thermal switch	Semi-open	96922643
DWK.O.6.80.15.5.0E	3 x 220-240 V D	DOL	Thermal switch	Semi-open	96922644
DWK.O.6.80.15.5.0D.R	3 x 380-415 V Y	DOL	Thermal switch	Semi-open	96922723
DWK.O.6.80.15.5.0E.R	3 x 220-240 V Y	DOL	Thermal switch	Semi-open	96922724
DWK.O.6.80.22.5.0D	3 x 380-415 V Y	DOL	Thermal switch	Semi-open	96922647
DWK.O.6.80.22.5.0E	3 x 220-240 V D	DOL	Thermal switch	Semi-open	96922648
DWK.O.6.80.22.5.0D.R	3 x 380-415 V Y	DOL	Thermal switch	Semi-open	96922727
DWK.O.6.80.22.5.0E.R	3 x 220-240 V Y	DOL	Thermal switch	Semi-open	96922728
DWK.O.10.100.37.5.0D	3 x 380-415 V Y	DOL	Thermal switch	Semi-open	96922651
DWK.O.10.100.37.5.0E	3 x 220-240 V D	DOL	Thermal switch	Semi-open	96922652
DWK.O.10.100.37.5.0D.R	3 x 380-415 V Y	DOL	Thermal switch	Semi-open	96922731
DWK.O.10.100.37.5.0E.R	3 x 220-240 V D	DOL	Thermal switch	Semi-open	96922732
DWK.O.10.80.37.5.0D	3 x 380-415 V Y	DOL	Thermal switch	Semi-open	96922649
DWK.O.10.80.37.5.0E	3 x 220-240 V D	DOL	Thermal switch	Semi-open	96922650
DWK.O.10.80.37.5.0D.R	3 x 380-415 V Y	DOL	Thermal switch	Semi-open	96922729
DWK.O.10.80.37.5.0E.R	3 x 220-240 V D	DOL	Thermal switch	Semi-open	96922730
DWK.O.13.80.55.5.0D	3 x 380-415 V Y	DOL	Thermal switch	Semi-open	96922653
DWK.O.13.80.55.5.0E	3 x 220-240 V D	DOL	Thermal switch	Semi-open	96922654
DWK.O.13.80.55.5.0D.R	3 x 380-415 V Y	DOL	Thermal switch	Semi-open	96922733
DWK.O.13.80.55.5.0E.R	3 x 220-240 V D	DOL	Thermal switch	Semi-open	96922734
DWK.O.13.80.55.5.1D	3 x 380-415 V D	Y/D	Thermal switch	Semi-open	96926046
DWK.O.13.80.55.5.1E	3 x 220-240 V D	Y/D	Thermal switch	Semi-open	96926047
DWK.O.13.80.55.5.1D.R	3 x 380-415 V D	Y/D	Thermal switch	Semi-open	96926078
DWK.O.13.80.55.5.1E.R	3 x 220-240 V D	Y/D	Thermal switch	Semi-open	96926079
DWK.O.13.100.55.5.0D	3 x 380-415 V Y	DOL	Thermal switch	Semi-open	96922655
DWK.O.13.100.55.5.0E	3 x 220-240 V D	DOL	Thermal switch	Semi-open	96922656
DWK.O.13.100.55.5.0D.R	3 x 380-415 V Y	DOL	Thermal switch	Semi-open	96922735
DWK.O.13.100.55.5.0E.R	3 x 220-240 V D	DOL	Thermal switch	Semi-open	96922736
DWK.O.13.100.55.5.1D	3 x 380-415 V D	Y/D	Thermal switch	Semi-open	96926048
DWK.O.13.100.55.5.1E	3 x 220-240 V D	Y/D	Thermal switch	Semi-open	96926049
DWK.O.13.100.55.5.1D.R	3 x 380-415 V D	Y/D	Thermal switch	Semi-open	96926080
DWK.O.13.100.55.5.1E.R	3 x 220-240 V D	Y/D	Thermal switch	Semi-open	96926081
DWK.O.13.100.75.5.0D	3 x 380-415 V Y	DOL	Thermal switch	Semi-open	96922657
DWK.O.13.100.75.5.0E	3 x 220-240 V D	DOL	Thermal switch	Semi-open	96922658
DWK.O.13.100.75.5.0D.R	3 x 380-415 V Y	DOL	Thermal switch	Semi-open	96922737
DWK.O.13.100.75.5.0E.R	3 x 220-240 V D	DOL	Thermal switch	Semi-open	96922738
DWK.O.13.100.75.5.1D	3 x 380-415 V D	Y/D	Thermal switch	Semi-open	96926050
DWK.O.13.100.75.5.1E	3 x 220-240 V D	Y/D	Thermal switch	Semi-open	96926051
DWK.O.13.100.75.5.1D.R	3 x 380-415 V D	Y/D	Thermal switch	Semi-open	96926082
DWK.O.13.100.75.5.1E.R	3 x 220-240 V D	Y/D	Thermal switch	Semi-open	96926083
DWK.O.13.100.110.5.0D	3 x 380-415 V Y	DOL	Thermal switch	Semi-open	96922661
DWK.O.13.100.110.5.0E	3 x 220-240 V D	DOL	Thermal switch	Semi-open	96922662
DWK.O.13.100.110.5.0D.R	3 x 380-415 V Y	DOL	Thermal switch	Semi-open	96922741
DWK.O.13.100.110.5.0E.R	3 x 220-240 V D	DOL	Thermal switch	Semi-open	96922742
DWK.O.13.100.110.5.1D	3 x 380-415 V D	Y/D	Thermal switch	Semi-open	96926054
DWK.O.13.100.110.5.1E	3 x 220-240 V D	Y/D	Thermal switch	Semi-open	96926055
DWK.O.13.100.110.5.1D.R	3 x 380-415 V D	Y/D	Thermal switch	Semi-open	96926086
DWK.O.13.100.110.5.1E.R	3 x 220-240 V D	Y/D	Thermal switch	Semi-open	96926087
DWK.O.13.100.150.5.0D	3 x 380-415 V Y	DOL	Thermal switch	Semi-open	96922665
DWK.O.13.100.150.5.0D.R	3 x 380-415 V Y	DOL	Thermal switch	Semi-open	96922745
DWK.O.13.100.150.5.0E	3 x 220-240 V D	DOL	Thermal switch	Semi-open	96925963
DWK.O.13.100.150.5.0E.R	3 x 220-240 V D	DOL	Thermal switch	Semi-open	96925989
DWK.O.13.100.150.5.1D	3 x 380-415 V D	Y/D	Thermal switch	Semi-open	96926058
DWK.O.13.100.150.5.1E	3 x 220-240 V D	Y/D	Thermal switch	Semi-open	96926059

Pump type	Voltage [V]	Starting method	Thermal protection	Impeller type	Product number
DWK.O.13.100.150.5.1D.R	3 x 380-415 V D	Y/D	Thermal switch	Semi-open	96926090
DWK.O.13.100.150.5.1E.R	3 x 220-240 V D	Y/D	Thermal switch	Semi-open	96926091
DWK.O.13.150.75.5.0D	3 x 380-415 V Y	DOL	Thermal switch	Semi-open	96922659
DWK.O.13.150.75.5.0E	3 x 220-240 V D	DOL	Thermal switch	Semi-open	96922660
DWK.O.13.150.75.5.0D.R	3 x 380-415 V Y	DOL	Thermal switch	Semi-open	96922739
DWK.O.13.150.75.5.0E.R	3 x 220-240 V D	DOL	Thermal switch	Semi-open	96922740
DWK.O.13.150.75.5.1D	3 x 380-415 V D	Y/D	Thermal switch	Semi-open	96926052
DWK.O.13.150.75.5.1E	3 x 220-240 V D	Y/D	Thermal switch	Semi-open	96926053
DWK.O.13.150.75.5.1D.R	3 x 380-415 V D	Y/D	Thermal switch	Semi-open	96926084
DWK.O.13.150.75.5.1E.R	3 x 220-240 V D	Y/D	Thermal switch	Semi-open	96926085
DWK.O.13.150.110.5.0D	3 x 380-415 V Y	DOL	Thermal switch	Semi-open	96922663
DWK.O.13.150.110.5.0E	3 x 220-240 V D	DOL	Thermal switch	Semi-open	96922664
DWK.O.13.150.110.5.0D.R	3 x 380-415 V Y	DOL	Thermal switch	Semi-open	96922743
DWK.O.13.150.110.5.0E.R	3 x 220-240 V D	DOL	Thermal switch	Semi-open	96922744
DWK.O.13.150.110.5.1D	3 x 380-415 V D	Y/D	Thermal switch	Semi-open	96926056
DWK.O.13.150.110.5.1E	3 x 220-240 V D	Y/D	Thermal switch	Semi-open	96926057
DWK.O.13.150.110.5.1D.R	3 x 380-415 V D	Y/D	Thermal switch	Semi-open	96926088
DWK.O.13.150.110.5.1E.R	3 x 220-240 V D	Y/D	Thermal switch	Semi-open	96926089
DWK.O.13.150.150.5.0D	3 x 380-415 V Y	DOL	Thermal switch	Semi-open	96922666
DWK.O.13.150.150.5.0D.R	3 x 380-415 V Y	DOL	Thermal switch	Semi-open	96922746
DWK.O.13.150.150.5.0E	3 x 220-240 V D	DOL	Thermal switch	Semi-open	96925964
DWK.O.13.150.150.5.0E.R	3 x 220-240 V D	DOL	Thermal switch	Semi-open	96925990
DWK.O.13.150.150.5.1D	3 x 380-415 V D	Y/D	Thermal switch	Semi-open	96926060
DWK.O.13.150.150.5.1E	3 x 220-240 V D	Y/D	Thermal switch	Semi-open	96926061
DWK.O.13.150.150.5.1D.R	3 x 380-415 V D	Y/D	Thermal switch	Semi-open	96926092
DWK.O.13.150.150.5.1E.R	3 x 220-240 V D	Y/D	Thermal switch	Semi-open	96926093

DWK.E

Pump type	Voltage [V]	Starting method	Thermal protection	Impeller type	Product number
DWK.E.10.100.220.5.1D	3 x 380-415 V D	Y/D	Thermal switch	Enclosed	96922667
DWK.E.10.100.220.5.1D.R	3 x 380-415 V D	Y/D	Thermal switch	Enclosed	96922747
DWK.E.10.100.220.5.1E	3 x 220-240 V D	Y/D	Thermal switch	Enclosed	96925967
DWK.E.10.100.220.5.1E.R	3 x 220-240 V D	Y/D	Thermal switch	Enclosed	96925991
DWK.E.10.150.220.5.1D	3 x 380-415 V D	Y/D	Thermal switch	Enclosed	96922668
DWK.E.10.150.220.5.1D.R	3 x 380-415 V D	Y/D	Thermal switch	Enclosed	96922748
DWK.E.10.150.220.5.1E	3 x 220-240 V D	Y/D	Thermal switch	Enclosed	96925968
DWK.E.10.150.220.5.1E.R	3 x 220-240 V D	Y/D	Thermal switch	Enclosed	96925992
DWK.E.10.150.300.5.1D	3 x 380-415 V D	Y/D	Thermal switch	Enclosed	96922669
DWK.E.10.150.300.5.1D.R	3 x 380-415 V D	Y/D	Thermal switch	Enclosed	96922749
DWK.E.10.150.300.5.1E	3 x 220-240 V D	Y/D	Thermal switch	Enclosed	96925969
DWK.E.10.150.300.5.1E.R	3 x 220-240 V D	Y/D	Thermal switch	Enclosed	96925993
DWK.E.10.150.370.5.1D	3 x 380-415 V D	Y/D	Thermal switch	Enclosed	96922671
DWK.E.10.150.370.5.1D.R	3 x 380-415 V D	Y/D	Thermal switch	Enclosed	96922751
DWK.E.10.150.370.5.1E	3 x 220-240 V D	Y/D	Thermal switch	Enclosed	96925971
DWK.E.10.150.370.5.1E.R	3 x 220-240 V D	Y/D	Thermal switch	Enclosed	96925995
DWK.E.10.150.450.5.1D	3 x 380-415 V D	Y/D	Thermal switch	Enclosed	96922673
DWK.E.10.150.450.5.1D.R	3 x 380-415 V D	Y/D	Thermal switch	Enclosed	96922753
DWK.E.10.150.450.5.1E	3 x 220-240 V D	Y/D	Thermal switch	Enclosed	96925973
DWK.E.10.150.450.5.1E.R	3 x 220-240 V D	Y/D	Thermal switch	Enclosed	96925997
DWK.E.10.150.550.5.1D	3 x 380-415 V D	Y/D	Thermal switch	Enclosed	96922675
DWK.E.10.150.550.5.1D.R	3 x 380-415 V D	Y/D	Thermal switch	Enclosed	96922755
DWK.E.10.150.550.5.1E	3 x 220-240 V D	Y/D	Thermal switch	Enclosed	96925975
DWK.E.10.150.550.5.1E.R	3 x 220-240 V D	Y/D	Thermal switch	Enclosed	96925999
DWK.E.10.200.300.5.1D	3 x 380-415 V D	Y/D	Thermal switch	Enclosed	96922670
DWK.E.10.200.300.5.1D.R	3 x 380-415 V D	Y/D	Thermal switch	Enclosed	96922750
DWK.E.10.200.300.5.1E	3 x 220-240 V D	Y/D	Thermal switch	Enclosed	96925970
DWK.E.10.200.300.5.1E.R	3 x 220-240 V D	Y/D	Thermal switch	Enclosed	96925994
DWK.E.10.200.370.5.1D	3 x 380-415 V D	Y/D	Thermal switch	Enclosed	96922672
DWK.E.10.200.370.5.1D.R	3 x 380-415 V D	Y/D	Thermal switch	Enclosed	96922752
DWK.E.10.200.370.5.1E	3 x 220-240 V D	Y/D	Thermal switch	Enclosed	96925972
DWK.E.10.200.370.5.1E.R	3 x 220-240 V D	Y/D	Thermal switch	Enclosed	96925996
DWK.E.10.200.450.5.1D	3 x 380-415 V D	Y/D	Thermal switch	Enclosed	96922674
DWK.E.10.200.450.5.1D.R	3 x 380-415 V D	Y/D	Thermal switch	Enclosed	96922754
DWK.E.10.200.450.5.1E	3 x 220-240 V D	Y/D	Thermal switch	Enclosed	96925974
DWK.E.10.200.450.5.1E.R	3 x 220-240 V D	Y/D	Thermal switch	Enclosed	96925998
DWK.E.10.200.550.5.1D	3 x 380-415 V D	Y/D	Thermal switch	Enclosed	96922676
DWK.E.10.200.550.5.1D.R	3 x 380-415 V D	Y/D	Thermal switch	Enclosed	96922756
DWK.E.10.200.550.5.1E	3 x 220-240 V D	Y/D	Thermal switch	Enclosed	96925976
DWK.E.10.200.550.5.1E.R	3 x 220-240 V D	Y/D	Thermal switch	Enclosed	96926000
DWK.E.10.200.750.5.1D	3 x 380-415 V D	Y/D	Thermal switch	Enclosed	96922677
DWK.E.10.200.750.5.1D.R	3 x 380-415 V D	Y/D	Thermal switch	Enclosed	96922757
DWK.E.10.200.750.5.1E	3 x 220-240 V D	Y/D	Thermal switch	Enclosed	96925977
DWK.E.10.200.750.5.1E.R	3 x 220-240 V D	Y/D	Thermal switch	Enclosed	96926001
DWK.E.10.200.900.5.1D	3 x 380-415 V D	Y/D	Thermal switch	Enclosed	96922678
DWK.E.10.200.900.5.1D.R	3 x 380-415 V D	Y/D	Thermal switch	Enclosed	96922758

DPK

Pump type	Voltage [V]	Starting method	Thermal protection	Impeller type	Product number
DPK.10.50.075.5.0D	3 x 380-415 V Y	DOL	Thermal switch	Semi-open	96884078
DPK.10.50.075.5.0E	3 x 220-240 V D	DOL	Thermal switch	Semi-open	96884079
DPK.10.50.15.5.0D	3 x 380-415 V Y	DOL	Thermal switch	Semi-open	96884080
DPK.10.50.15.5.0E	3 x 220-240 V D	DOL	Thermal switch	Semi-open	96884081
DPK.10.80.22.5.0D	3 x 380-415 V Y	DOL	Thermal switch	Semi-open	96884112
DPK.10.80.22.5.0E	3 x 220-240 V D	DOL	Thermal switch	Semi-open	96884113
DPK.15.80.37.5.0D	3 x 380-415 V Y	DOL	Thermal switch	Semi-open	96884114
DPK.15.80.37.5.0E	3 x 220-240 V D	DOL	Thermal switch	Semi-open	96884115
DPK.15.80.55.5.0D	3 x 380-415 V Y	DOL	Thermal switch	Semi-open	96884086
DPK.15.80.55.5.0E	3 x 220-240 V D	DOL	Thermal switch	Semi-open	96884087
DPK.15.80.55.5.1D	3 x 380-415 V Y	Y/D	Thermal switch	Semi-open	96926030
DPK.15.80.55.5.1E	3 x 220-240 V D	Y/D	Thermal switch	Semi-open	96926031
DPK.15.100.75.5.0D	3 x 380-415 V Y	DOL	Thermal switch	Semi-open	96884088
DPK.15.100.75.5.0E	3 x 220-240 V D	DOL	Thermal switch	Semi-open	96884089
DPK.15.100.75.5.1D	3 x 380-415 V Y	Y/D	Thermal switch	Semi-open	96926032
DPK.15.100.75.5.1E	3 x 220-240 V D	Y/D	Thermal switch	Semi-open	96926033
DPK.20.100.110.5.0D	3 x 380-415 V Y	DOL	Thermal switch	Semi-open	96884090
DPK.20.100.110.5.0E	3 x 220-240 V D	DOL	Thermal switch	Semi-open	96884091
DPK.20.100.110.5.1D	3 x 380-415 V Y	Y/D	Thermal switch	Semi-open	96926034
DPK.20.100.110.5.1E	3 x 220-240 V D	Y/D	Thermal switch	Semi-open	96926035
DPK.20.100.150.5.0D	3 x 380-415 V Y	DOL	Thermal switch	Semi-open	96884092
DPK.20.100.150.5.0E	3 x 220-240 V D	DOL	Thermal switch	Semi-open	96884116
DPK.20.100.150.5.1D	3 x 380-415 V Y	Y/D	Thermal switch	Semi-open	96926036
DPK.20.100.150.5.1E	3 x 220-240 V D	Y/D	Thermal switch	Semi-open	96926037
DPK.20.150.190.5.1D	3 x 380-415 V D	Y/D	Thermal switch	Semi-open	96884093
DPK.20.150.190.5.1E	3 x 220-240 V D	Y/D	Thermal switch	Semi-open	96884117
DPK.20.150.220.5.1D	3 x 380-415 V D	Y/D	Thermal switch	Semi-open	96884094
DPK.20.150.220.5.1E	3 x 220-240 V D	Y/D	Thermal switch	Semi-open	96884118

DPK.V

Pump type	Voltage [V]	Starting method	Thermal protection	Impeller type	Product number
DPK.V.65.80.15.2.5.0D	3 x 380-415 V Y	DOL	Thermal switch	SuperVortex	98913685
DPK.V.65.80.15.2.5.0E	3 x 220-240 V D	DOL	Thermal switch	SuperVortex	98913686
DPK.V.65.80.15.4.5.0D	3 x 380-415 V Y	DOL	Thermal switch	SuperVortex	98946548
DPK.V.65.80.15.4.5.0E	3 x 220-240 V D	DOL	Thermal switch	SuperVortex	98946549
DPK.V.65.80.22.2.5.0D	3 x 380-415 V Y	DOL	Thermal switch	SuperVortex	98913687
DPK.V.65.80.22.2.5.0E	3 x 220-240 V D	DOL	Thermal switch	SuperVortex	98913688
DPK.V.65.80.22.4.5.0D	3 x 380-415 V Y	DOL	Thermal switch	SuperVortex	98946550
DPK.V.65.80.22.4.5.0E	3 x 220-240 V D	DOL	Thermal switch	SuperVortex	98946551
DPK.V.80.80.37.2.5.0D	3 x 380-415 V Y	DOL	Thermal switch	SuperVortex	98803749
DPK.V.80.80.37.2.5.0E	3 x 220-240 V D	DOL	Thermal switch	SuperVortex	98803750
DPK.V.80.80.37.4.5.0D	3 x 380-415 V Y	DOL	Thermal switch	SuperVortex	98925411
DPK.V.80.80.37.4.5.0E	3 x 220-240 V D	DOL	Thermal switch	SuperVortex	98925412
DPK.V.80.80.55.2.5.0D	3 x 380-415 V Y	DOL	Thermal switch	SuperVortex	98803751
DPK.V.80.80.55.2.5.0E	3 x 220-240 V D	DOL	Thermal switch	SuperVortex	98803752
DPK.V.80.80.55.2.5.1D	3 x 380-415 V Y	Y/D	Thermal switch	SuperVortex	98803753
DPK.V.80.80.55.2.5.1E	3 x 220-240 V D	Y/D	Thermal switch	SuperVortex	98803754
DPK.V.80.80.55.4.5.0D	3 x 380-415 V Y	DOL	Thermal switch	SuperVortex	98925413
DPK.V.80.80.55.4.5.0E	3 x 220-240 V D	DOL	Thermal switch	SuperVortex	98925414
DPK.V.80.80.55.4.5.1D	3 x 380-415 V Y	Y/D	Thermal switch	SuperVortex	98925415
DPK.V.80.80.55.4.5.1E	3 x 220-240 V D	Y/D	Thermal switch	SuperVortex	98925416
DPK.V.80.80.75.2.5.0D	3 x 380-415 V Y	DOL	Thermal switch	SuperVortex	98803755
DPK.V.80.80.75.2.5.0E	3 x 220-240 V D	DOL	Thermal switch	SuperVortex	98803756
DPK.V.80.80.75.2.5.1D	3 x 380-415 V Y	Y/D	Thermal switch	SuperVortex	98803757
DPK.V.80.80.75.2.5.1E	3 x 220-240 V D	Y/D	Thermal switch	SuperVortex	98803758
DPK.V.80.80.75.4.5.0D	3 x 380-415 V Y	DOL	Thermal switch	SuperVortex	98925417
DPK.V.80.80.75.4.5.0E	3 x 220-240 V D	DOL	Thermal switch	SuperVortex	98925418
DPK.V.80.80.75.4.5.1D	3 x 380-415 V Y	Y/D	Thermal switch	SuperVortex	98925419
DPK.V.80.80.75.4.5.1E	3 x 220-240 V D	Y/D	Thermal switch	SuperVortex	98925420

6. Variants

List of variants

Motor

Deviating cable length, 15 m / 25 m / 30 m	Contact Grundfos
--	------------------

Special motor	Insulation class H
	Special voltage

Motor protection

Seal sensor

Sensor set, 1 x Pt100 in lower bearing and 1 x Pt100 in winding

Material

Impeller material: stainless steel

Pump casing: stainless steel

Outlet

Flanges: DIN, JIS, ANSI

Hose: Storz (DWK)

Tests

Test at specified duty on standard impeller curve

Additional test of entire QH curve

Different test standard	Contact Grundfos
-------------------------	------------------

Witness test

Other variants

Contact Grundfos

7. Construction

Outlet connections

DWK pumps can be ordered with three different outlet connections:

- flange connection
- hose connection
- without connection.

DPK pumps are only available with flange connection.

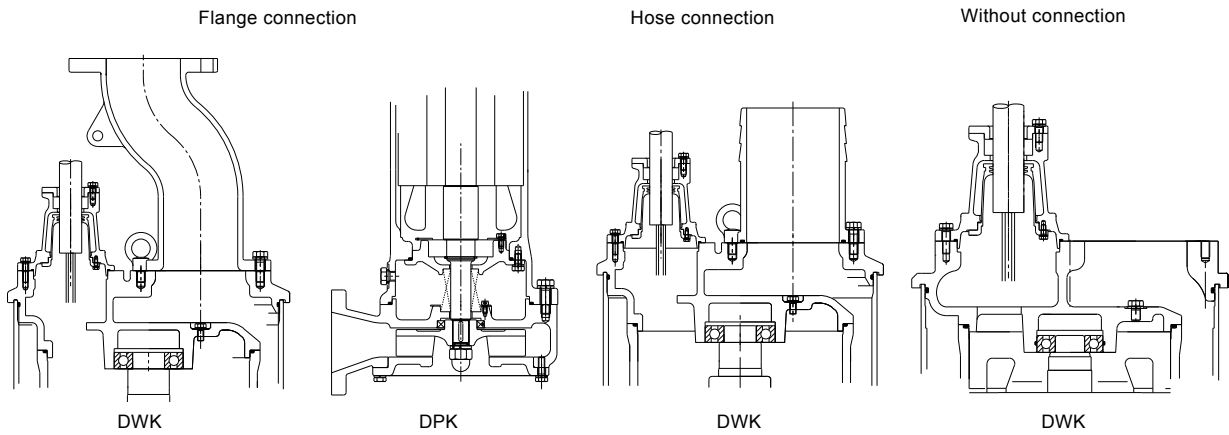


Fig. 7 Outlet connections

TM04 4735 1909 - TM04 4736 1909 - TM04 4737 1909

Exploded views and sectional drawings

On the following pages, we have chosen not to show the exploded views and sectional drawings with all three outlet connection variants.

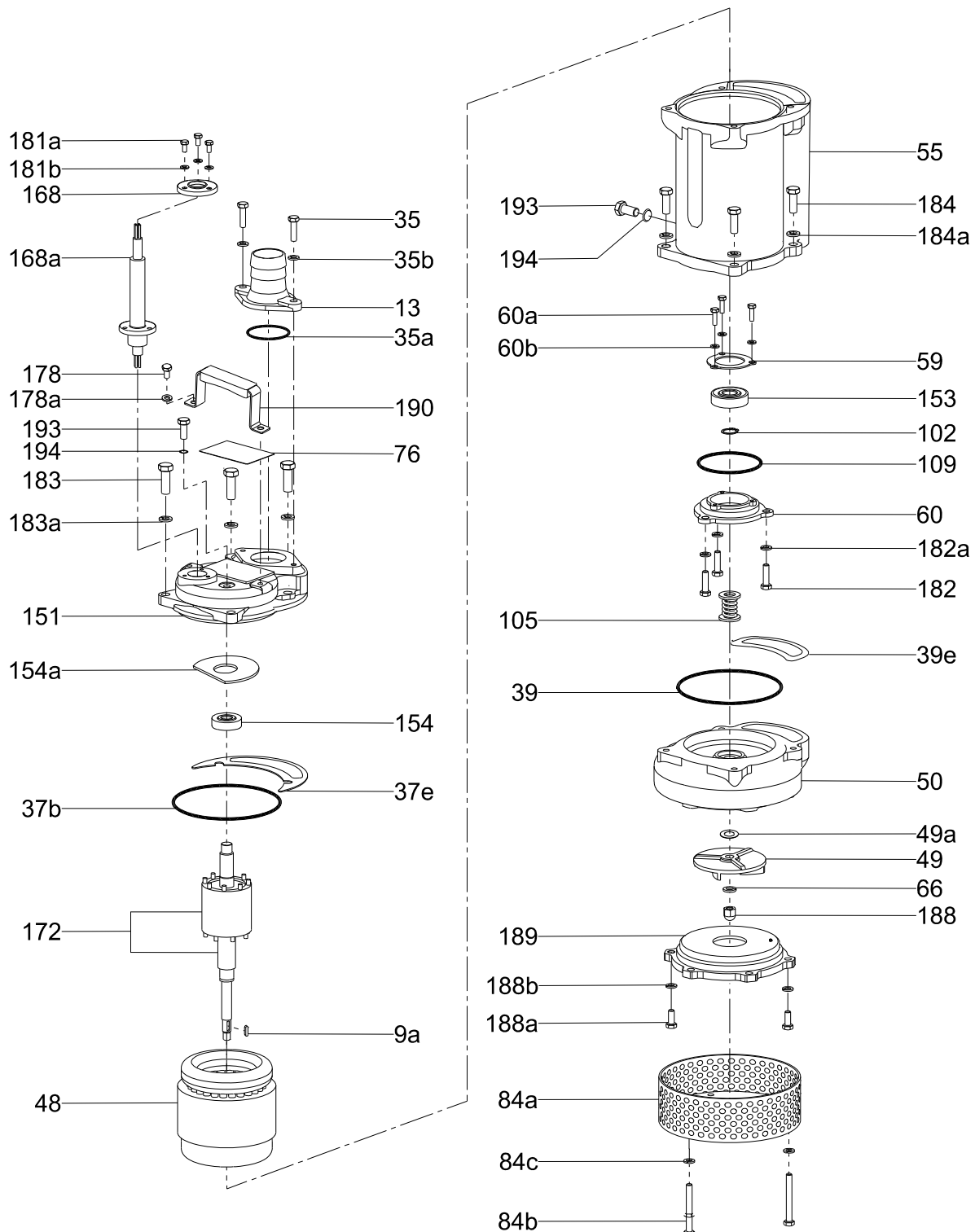
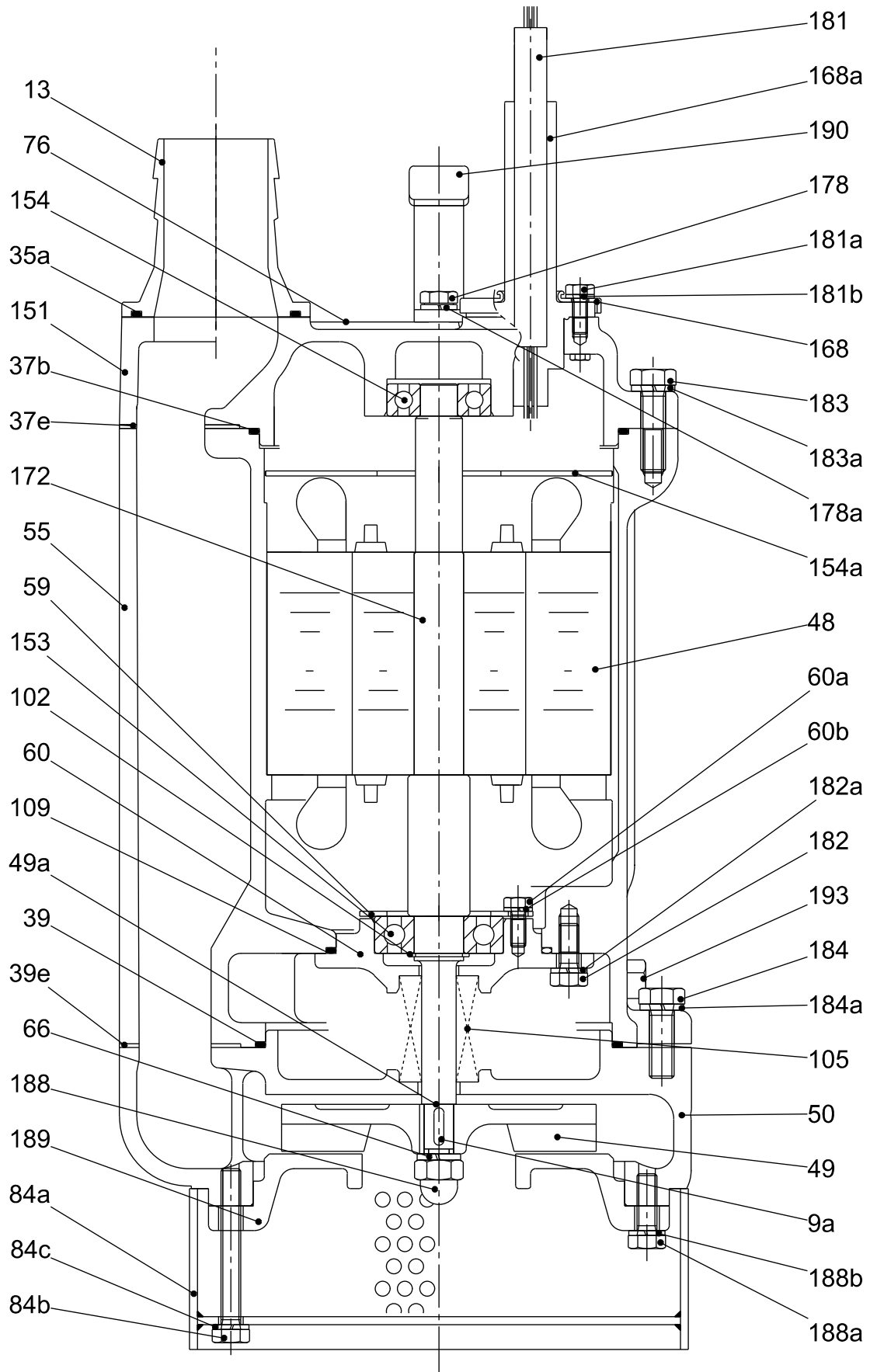


Fig. 8 Exploded view DWK.O.6.50.075, DWK.O.6.50.15 and DWK.O.6.50.22

TM04 4575 4214



TM04 4698 4214

Fig. 9 Sectional drawing DWK.O.6.50.075, DWK.O.6.50.15 and DWK.O.6.50.22

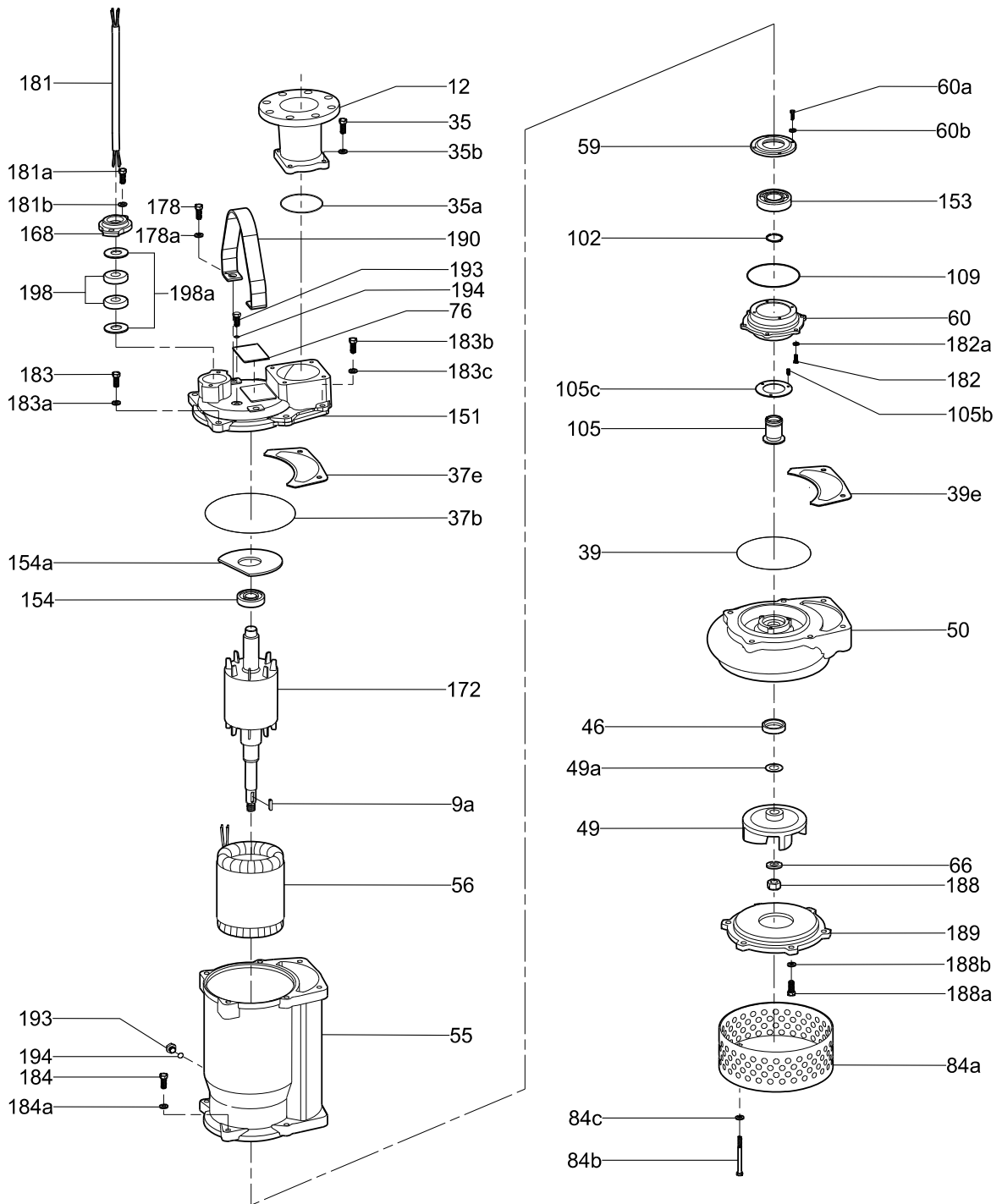
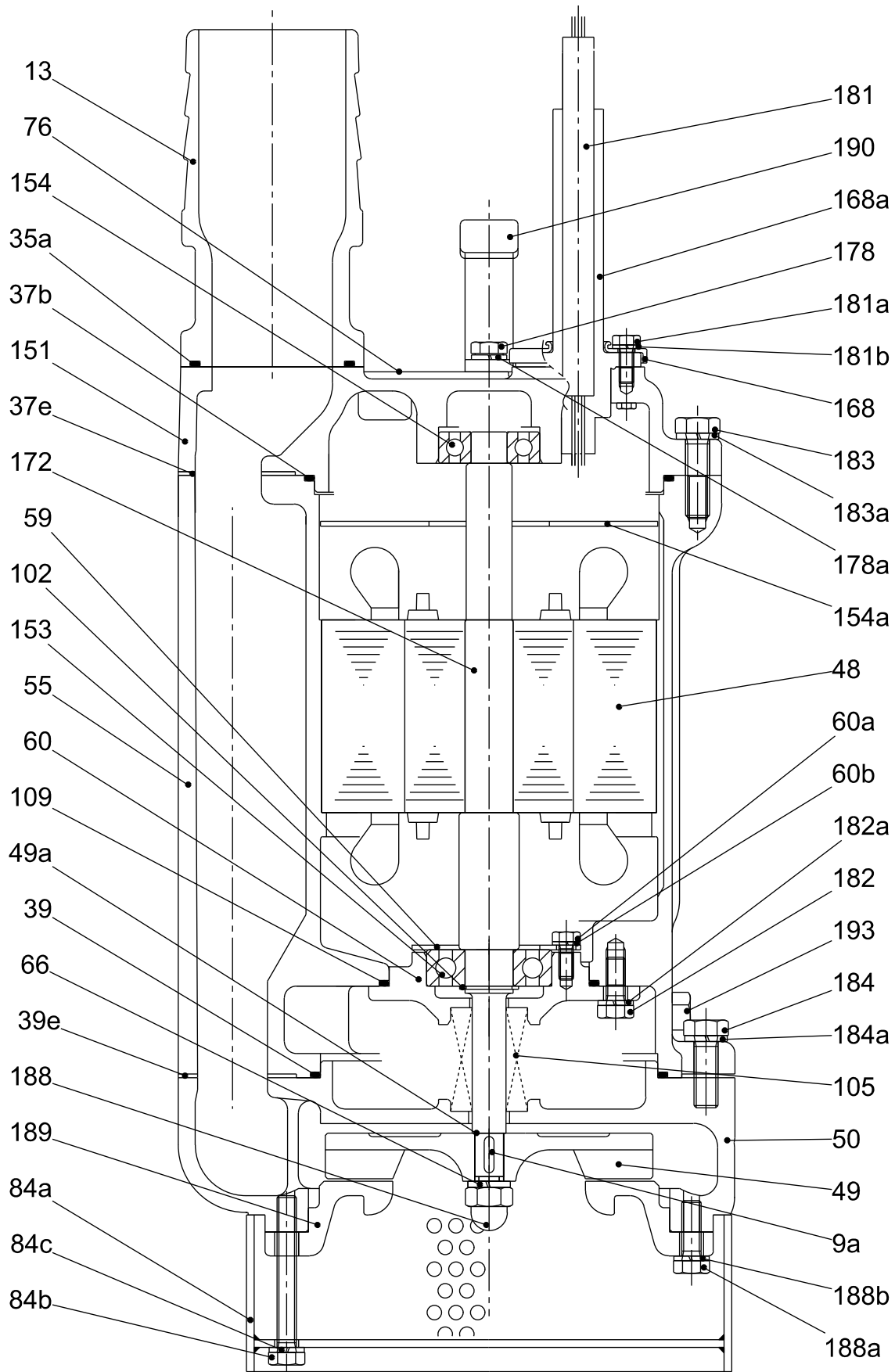


Fig. 10 Exploded view DWK.O.6.80.15, DWK.O.6.80.22, DWK.O.10.80.37 and DWK.O.10.100.37

TM04 4708 4214



TM04 4699 4214

Fig. 11 Sectional drawing DWK.O.6.80.15 and DWK.O.6.80.22

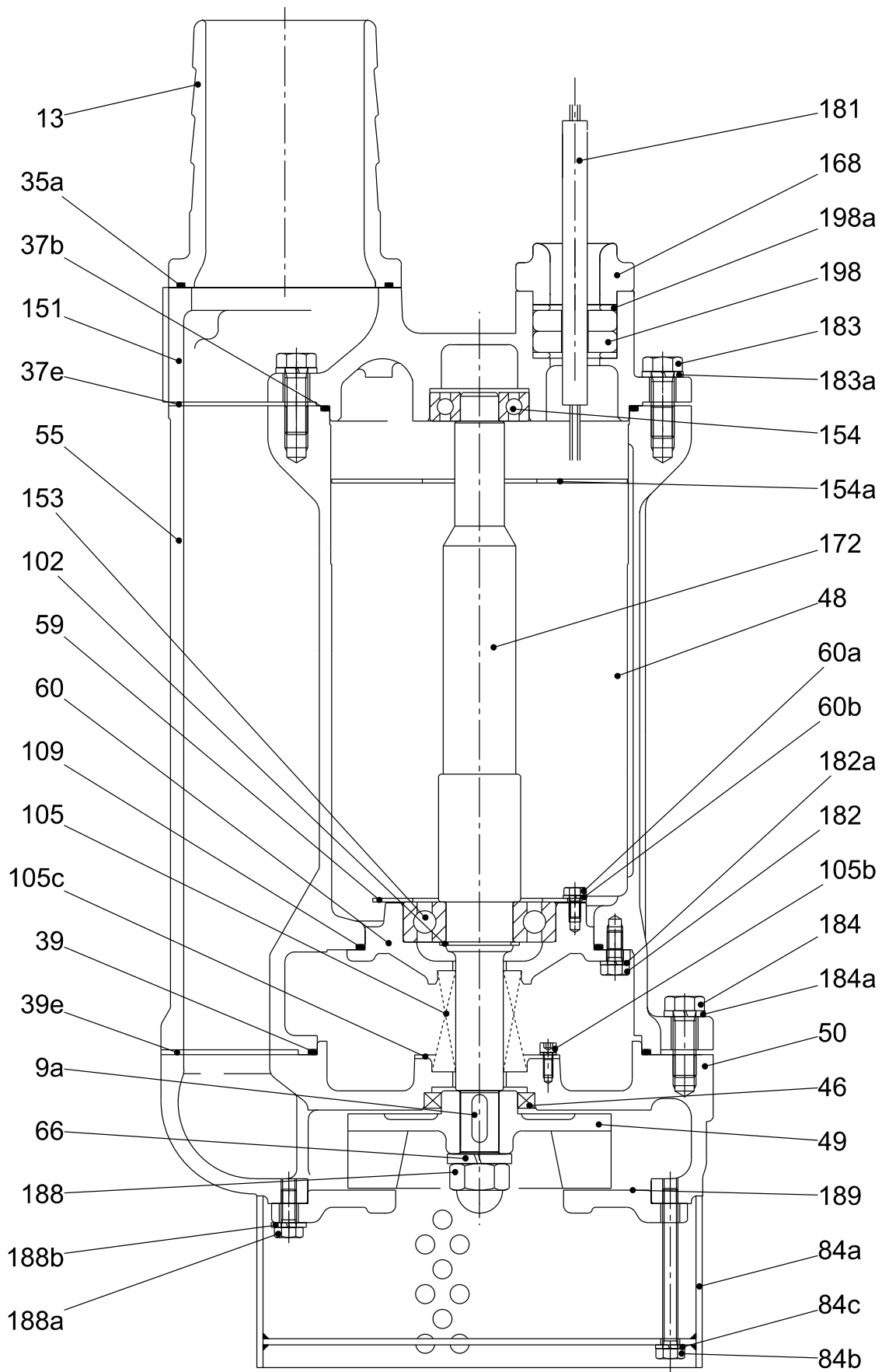
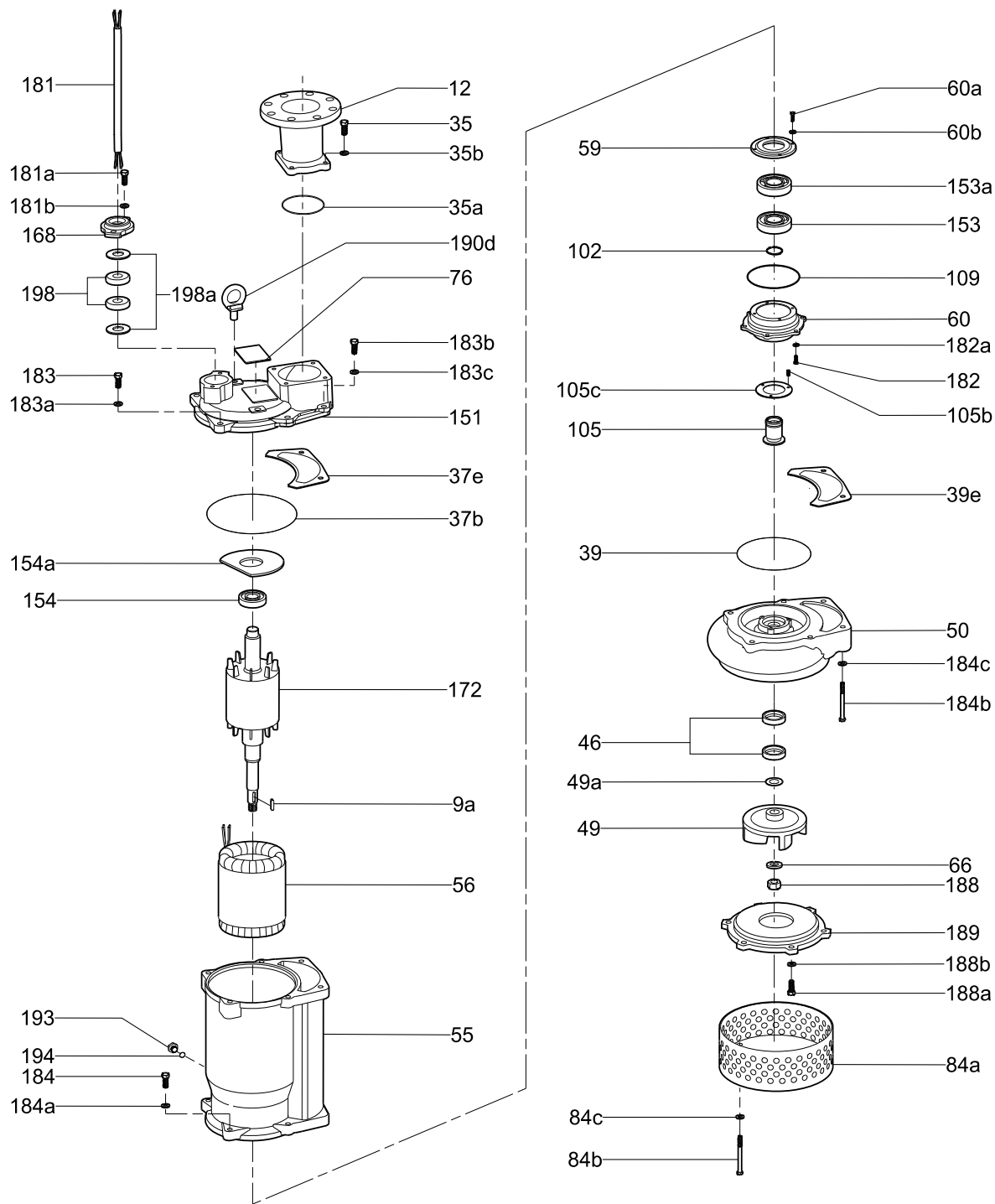


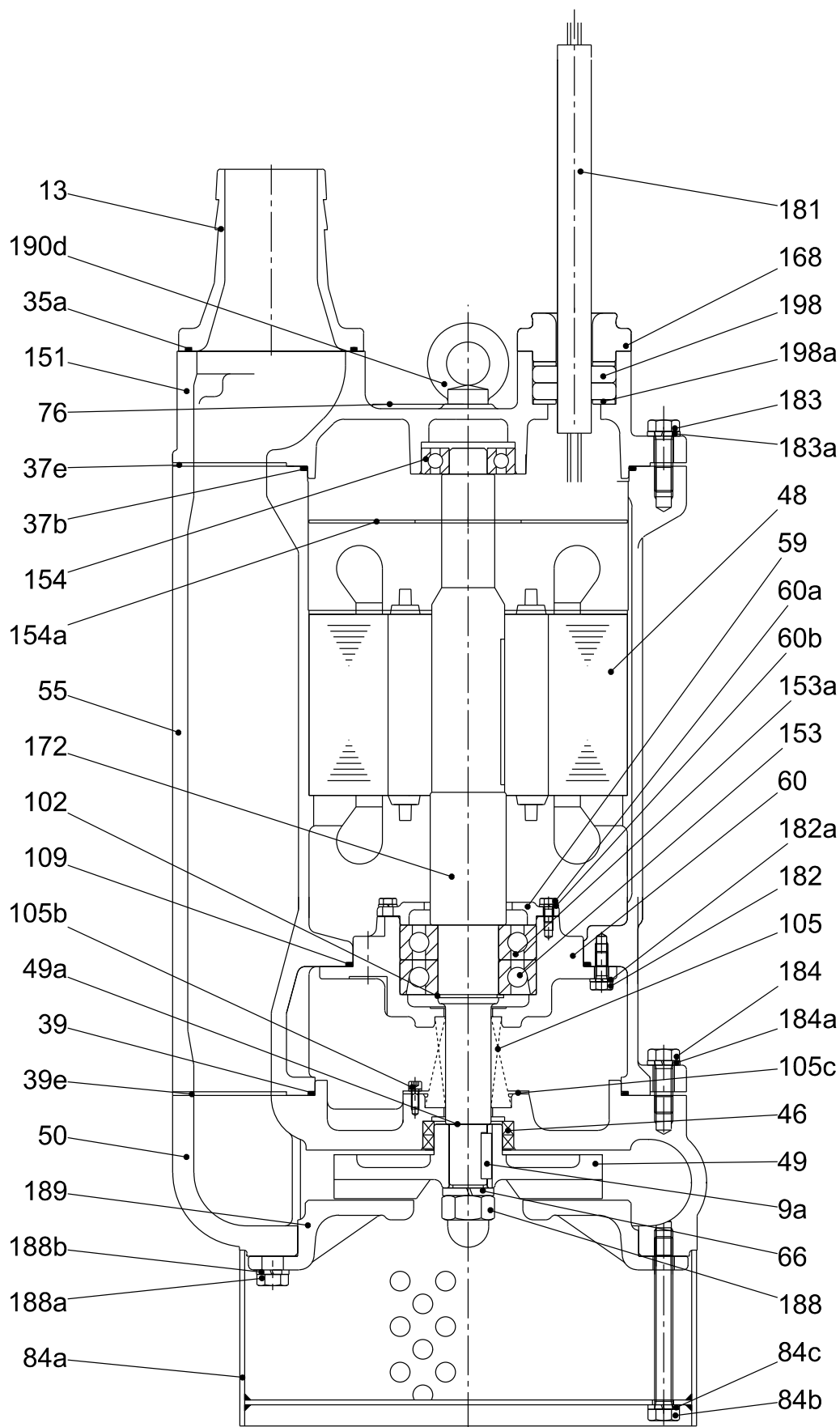
Fig. 12 Sectional drawing DWK.O.10.80.37 and DWK.O.10.100.37

TM04 4701 4214



TM04 4577 4214

Fig. 13 Exploded view DWK.O.13.80.55, DWK.O.13.100.55, DWK.O.13.100.75, DWK.O.13.100.110, DWK.O.13.100.150 and DWK.O.13.150.150



TM04 4700 4214

Fig. 14 Sectional drawing DWK.O.13.80.55 and DWK.O.13.100.55

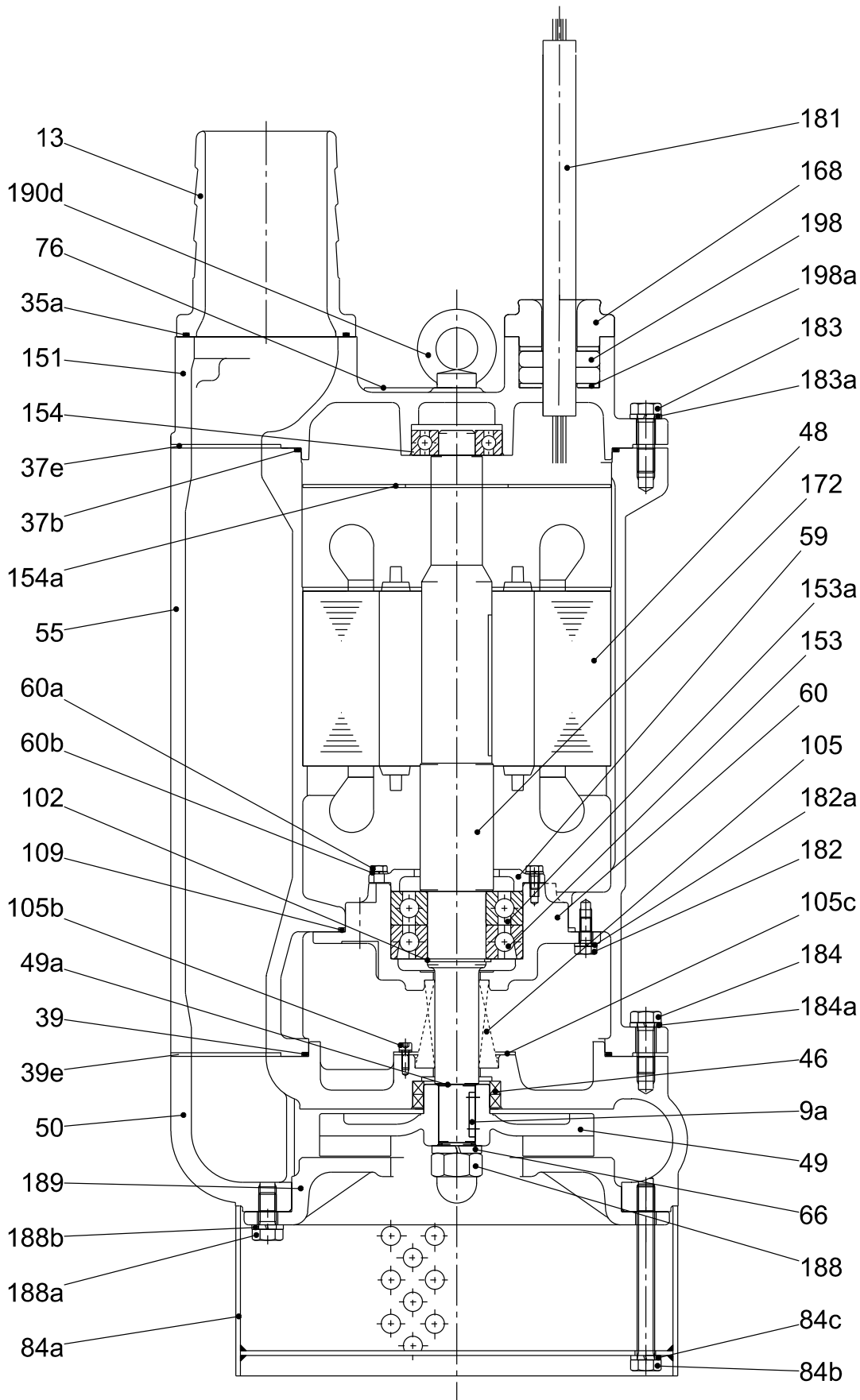


Fig. 15 Sectional drawing DWK.O.13.100.75

TM04 4702 4214

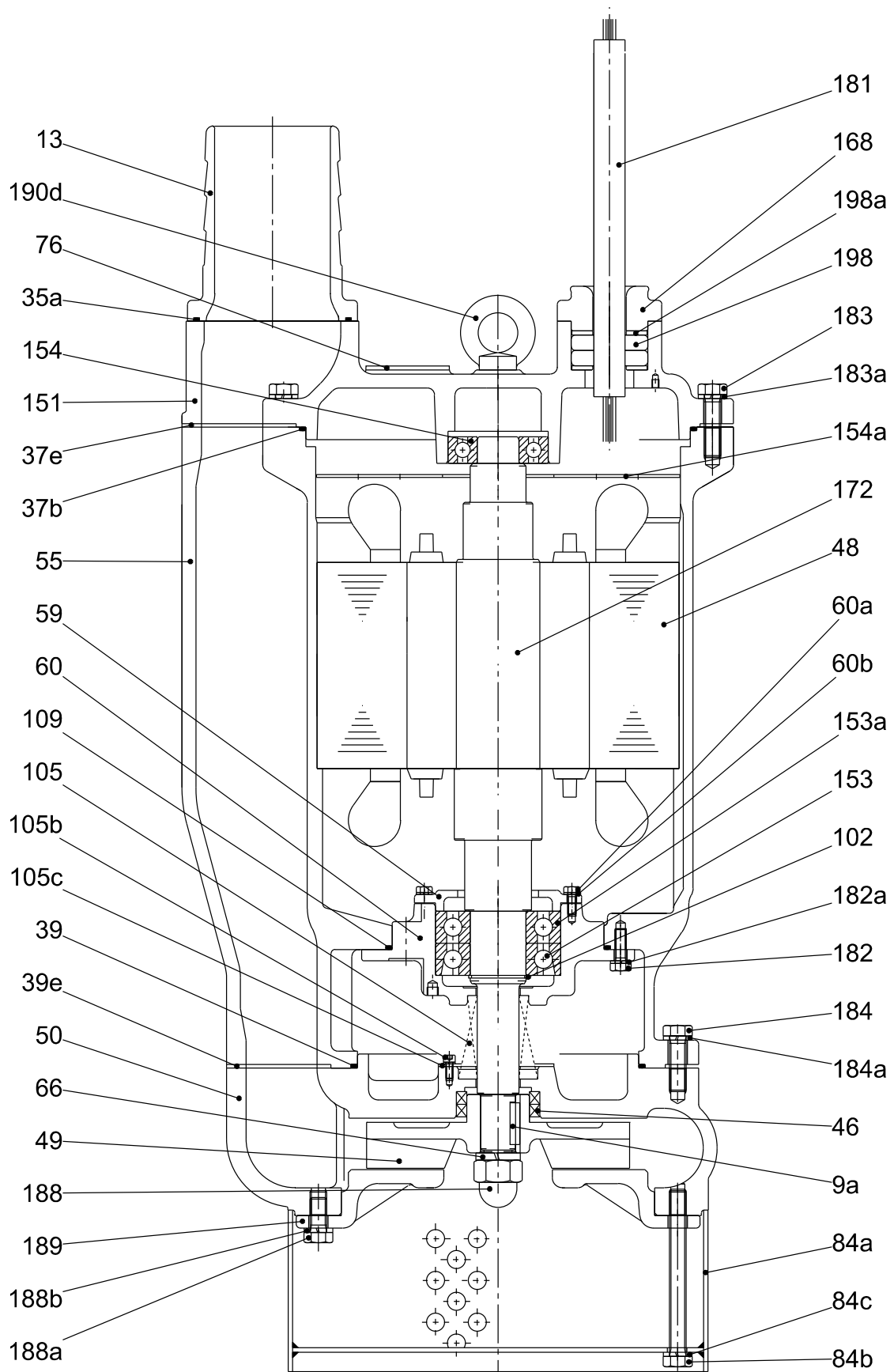
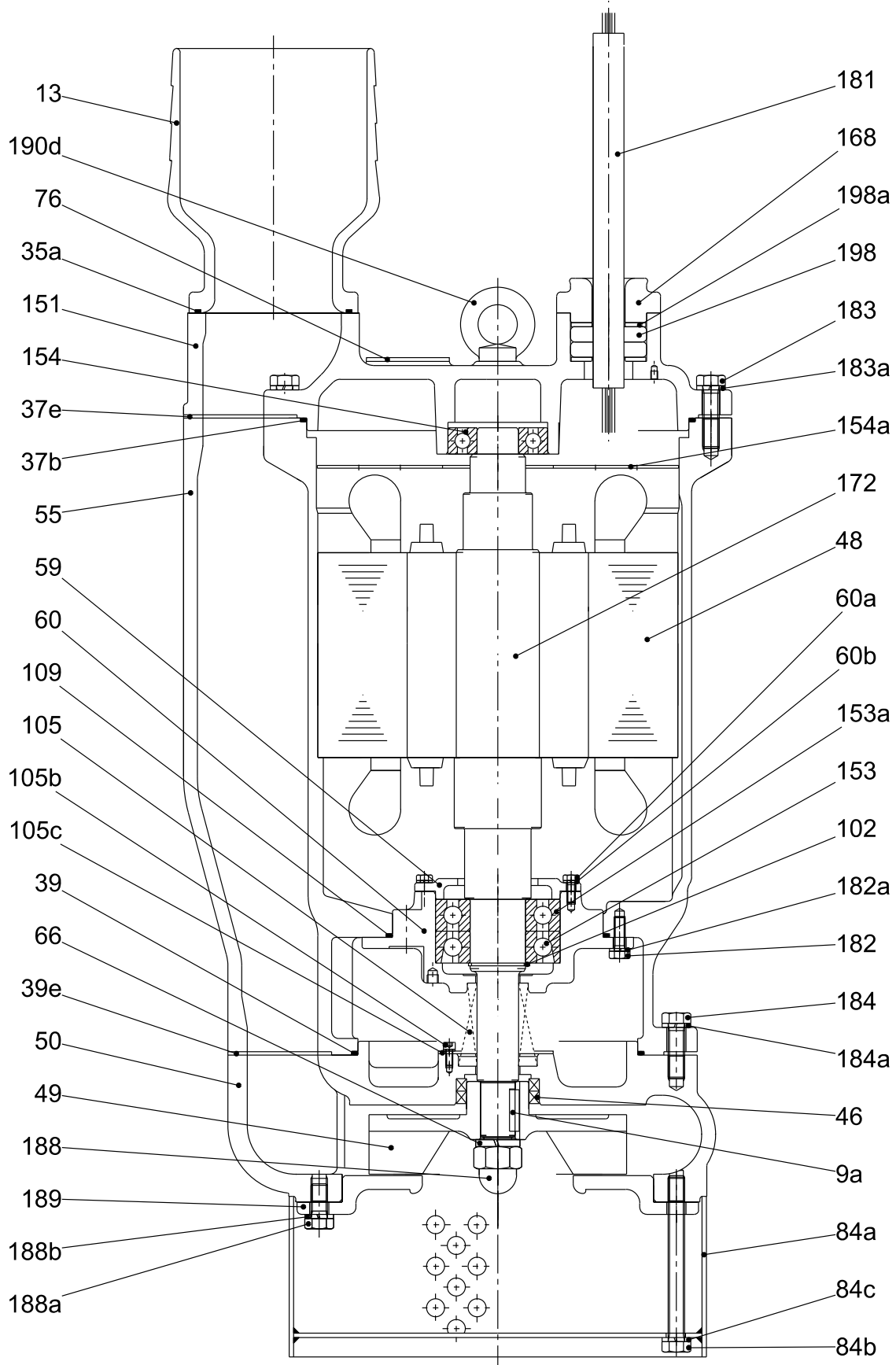


Fig. 16 Sectional drawing DWK.O.13.100.110 and DWK.O.13.100.150

TM04 4703 4214



TM04 4705 4214

Fig. 17 Sectional drawing DWK.O.13.100.150

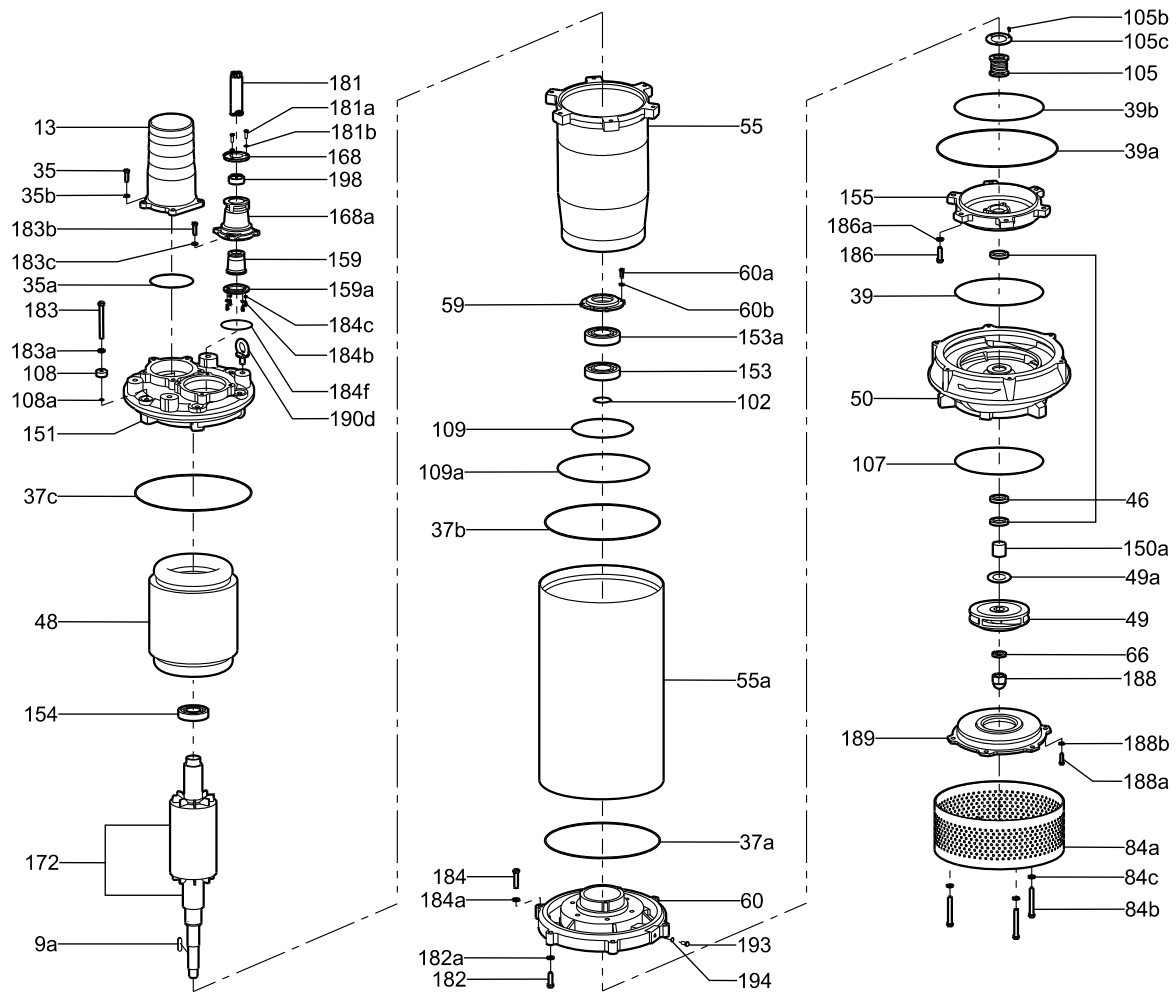
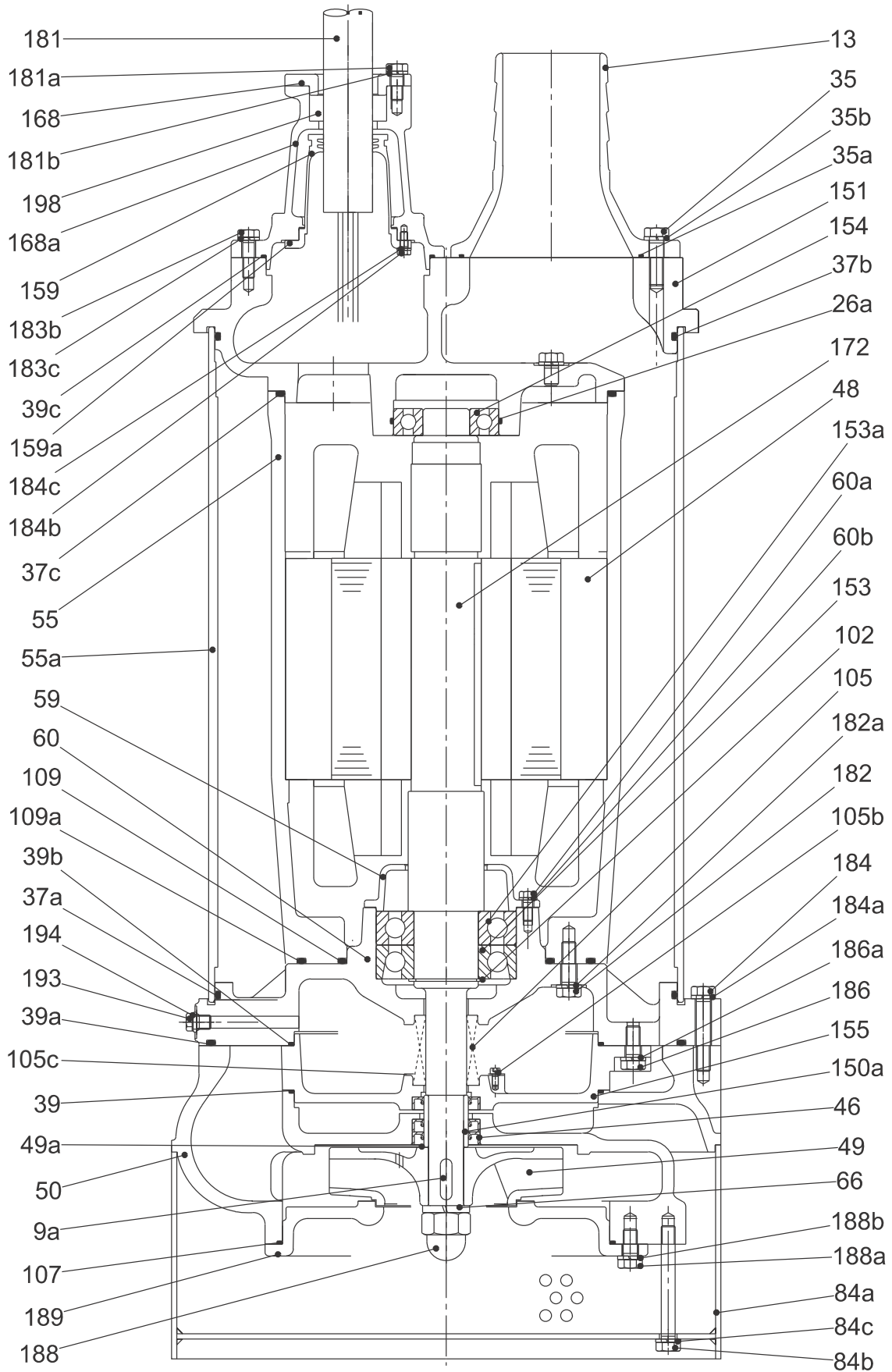


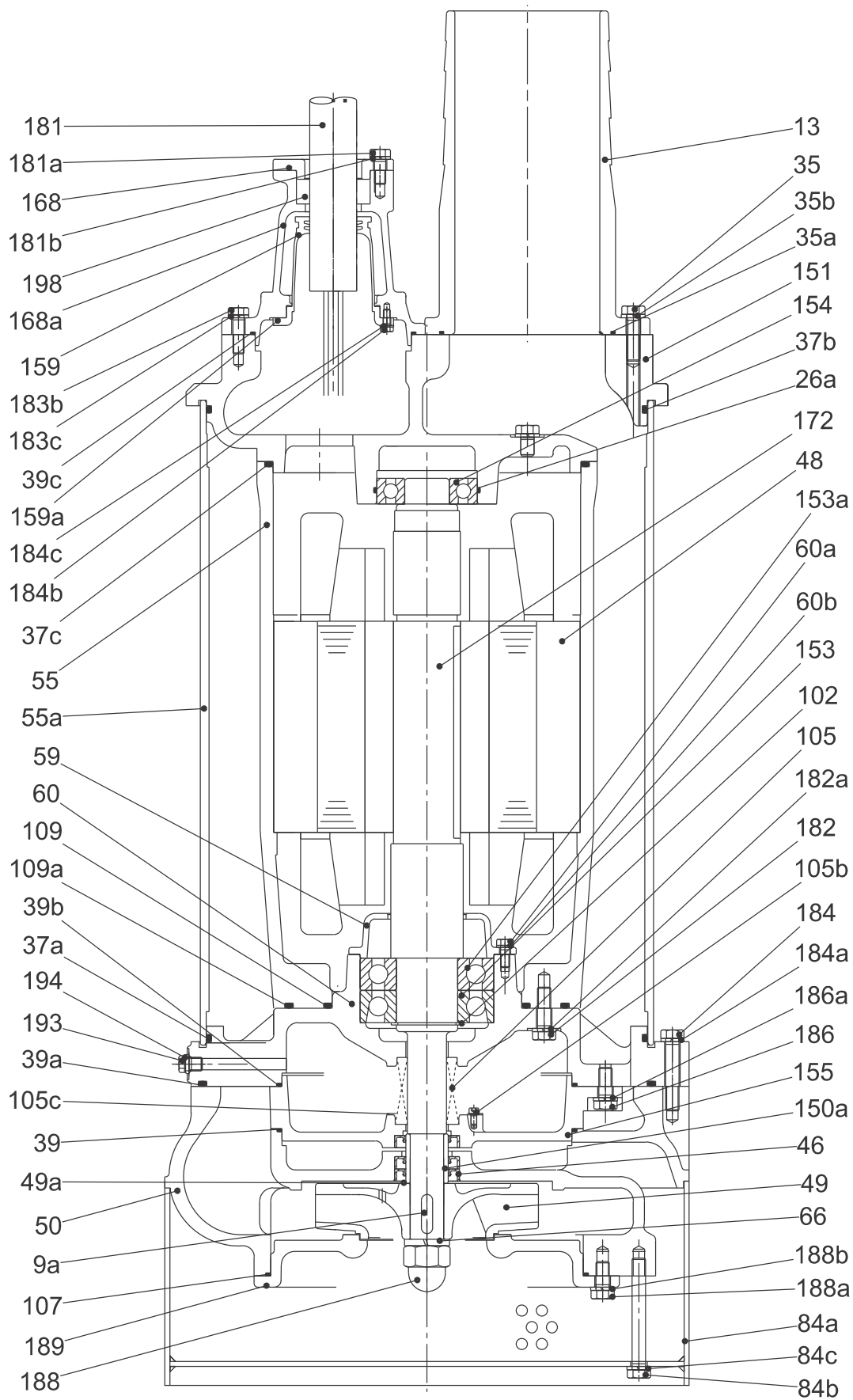
Fig. 18 Exploded view DWK.E.10.100.220, DWK.E.10.150.220, DWK.E.150.300 and DWK.E.10.200.300

TM04 4576 4214



TM04 4578 1809

Fig. 19 Sectional drawing DWK.E.10.100.220



TM04 4580 1809

Fig. 20 Sectional drawing DWK.E.10.150.220

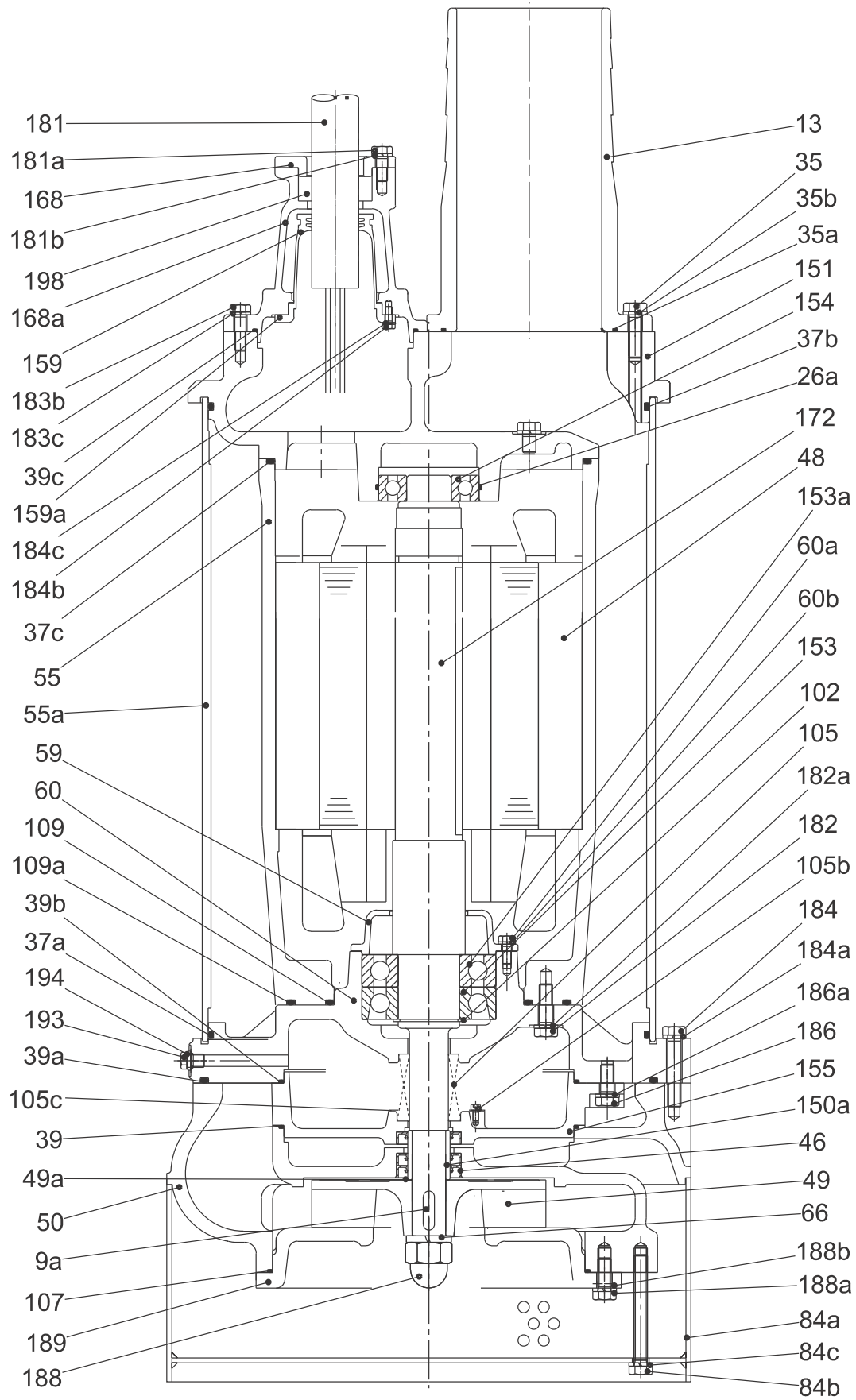
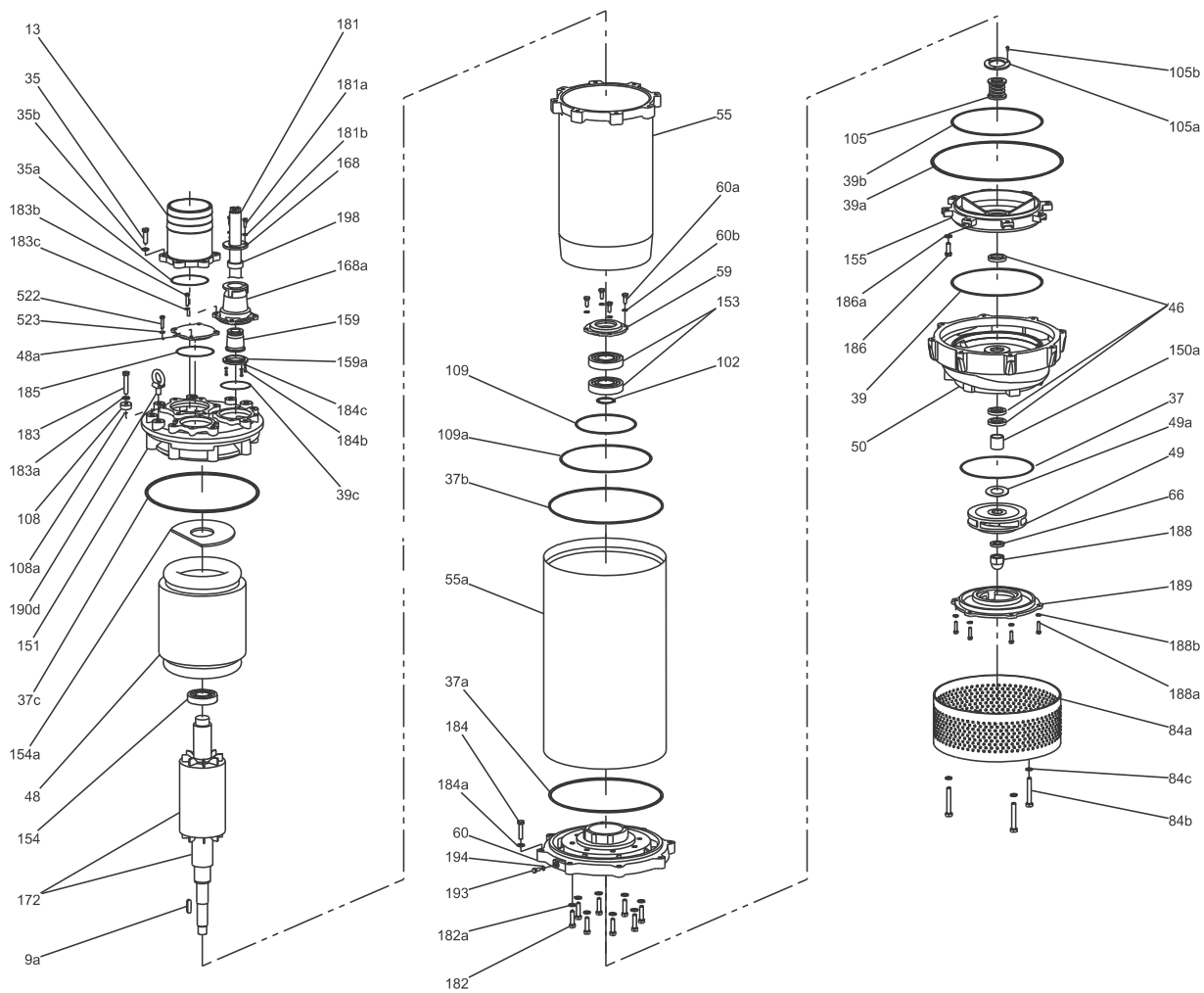


Fig. 21 Sectional drawing DWK.E.10.150.300 and DWK.E.10.200.300

TM04 4562 1809



TM06 6933 2716

Fig. 22 Exploded view DWK.E.10.150.370, DWK.E.10.150.450, DWK.E.10.200.370, DWK.E.10.200.450, DWK.E.10.150.550 and DWK.E.10.200.550

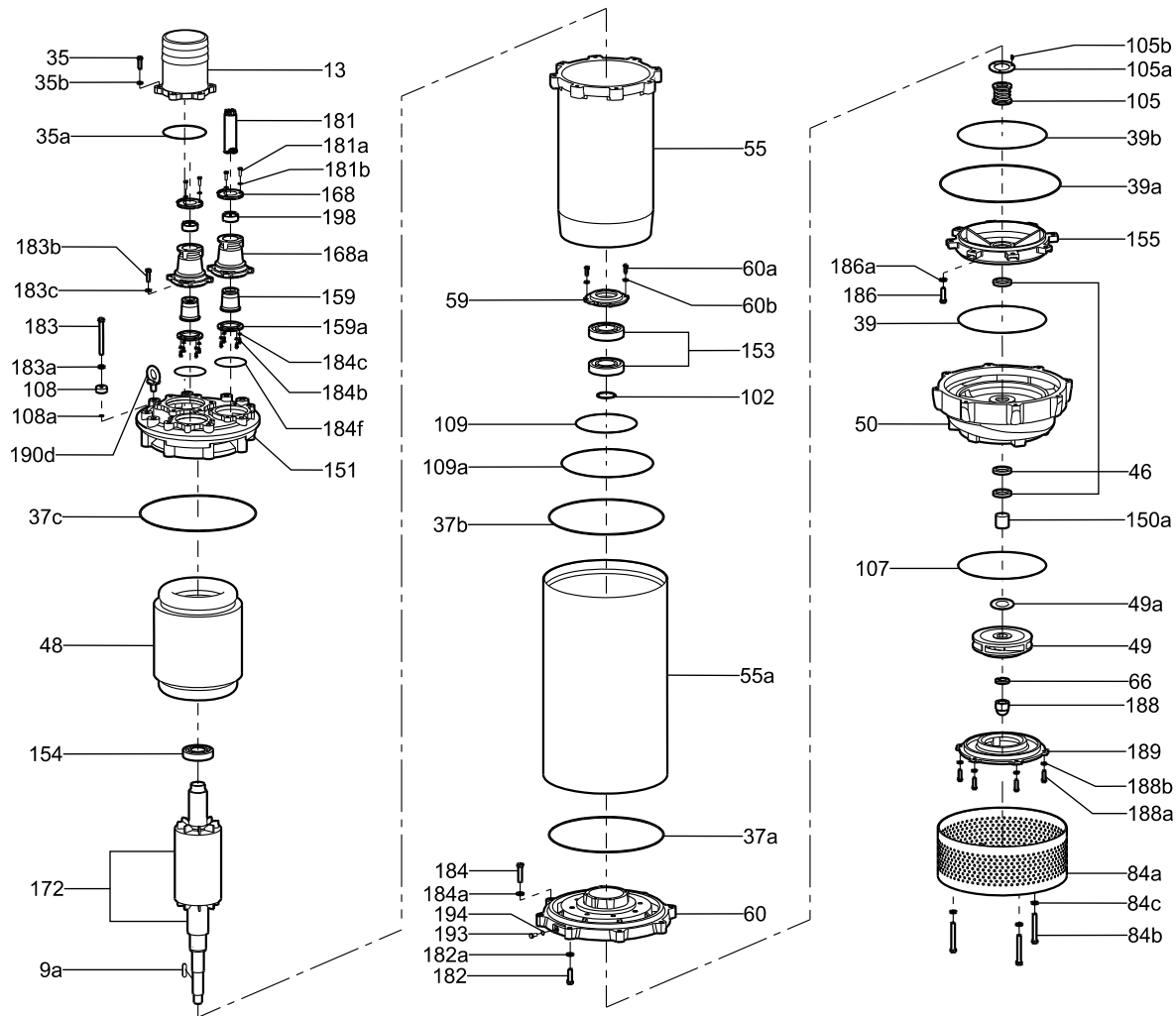
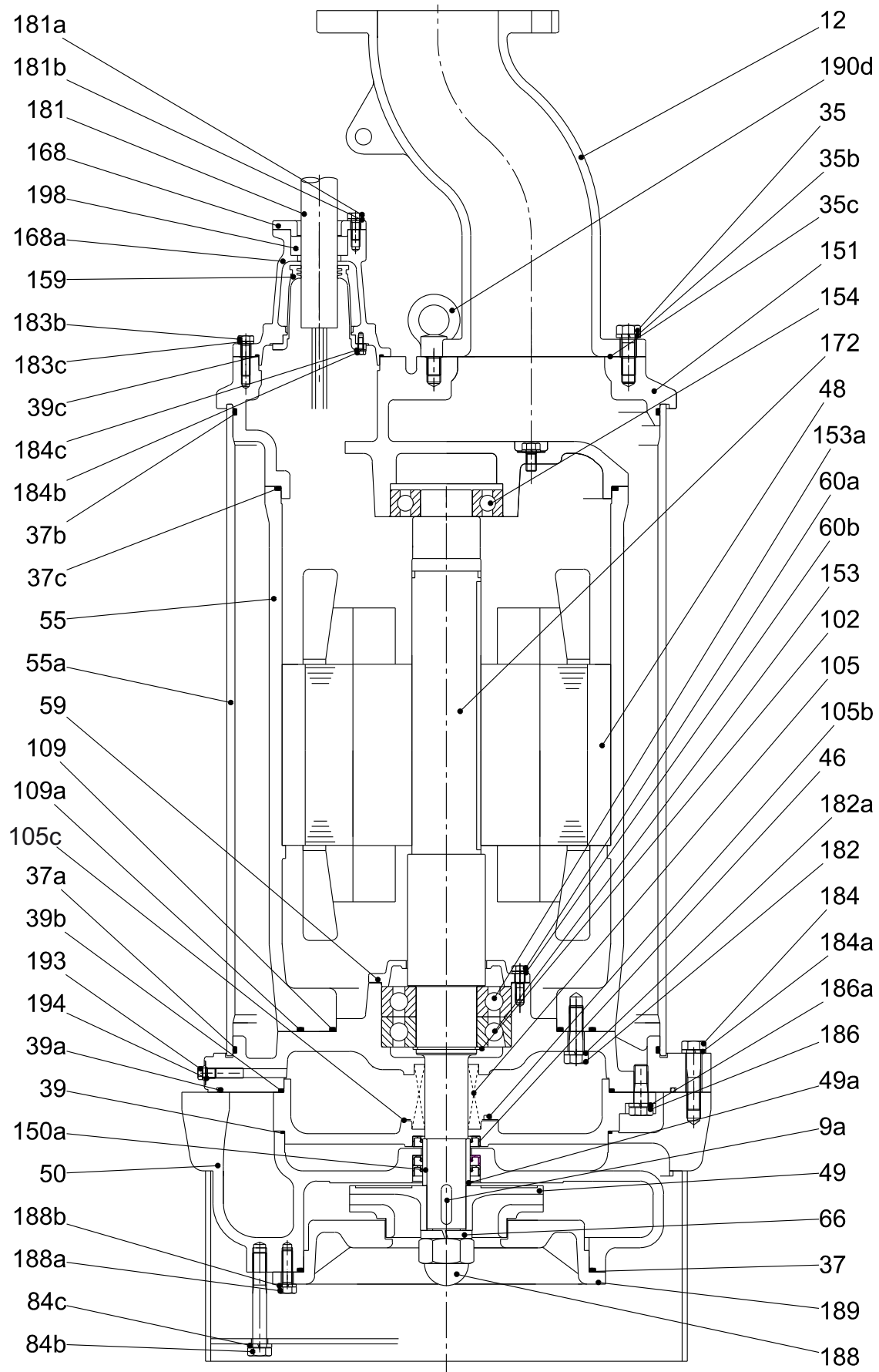


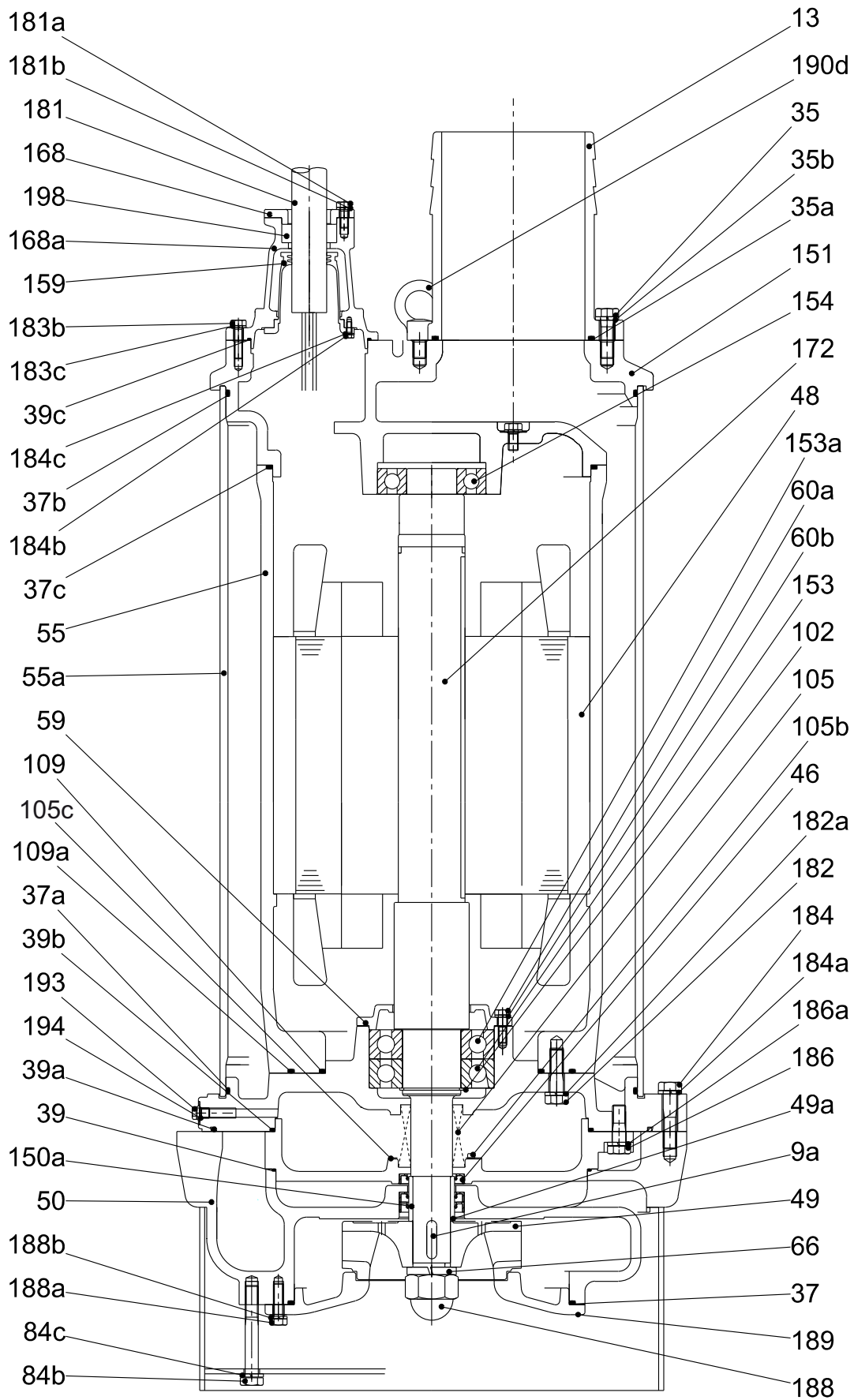
Fig. 23 Exploded view DWK.E.10.200.750 and DWK.E.10.200.900

TM04 4707 1909



TM04 4584 1809

Fig. 24 Sectional drawing DWK.E.10.150.370, DWK.E.10.150.450, DWK.E.10.200.370 and DWK.E.10.200.450



TM04 4587 1809

Fig. 25 Sectional drawing DWK.E.10.150.550, DWK.E.10.200.550, DWK.E.10.200.750 and DWK.E.10.200.900

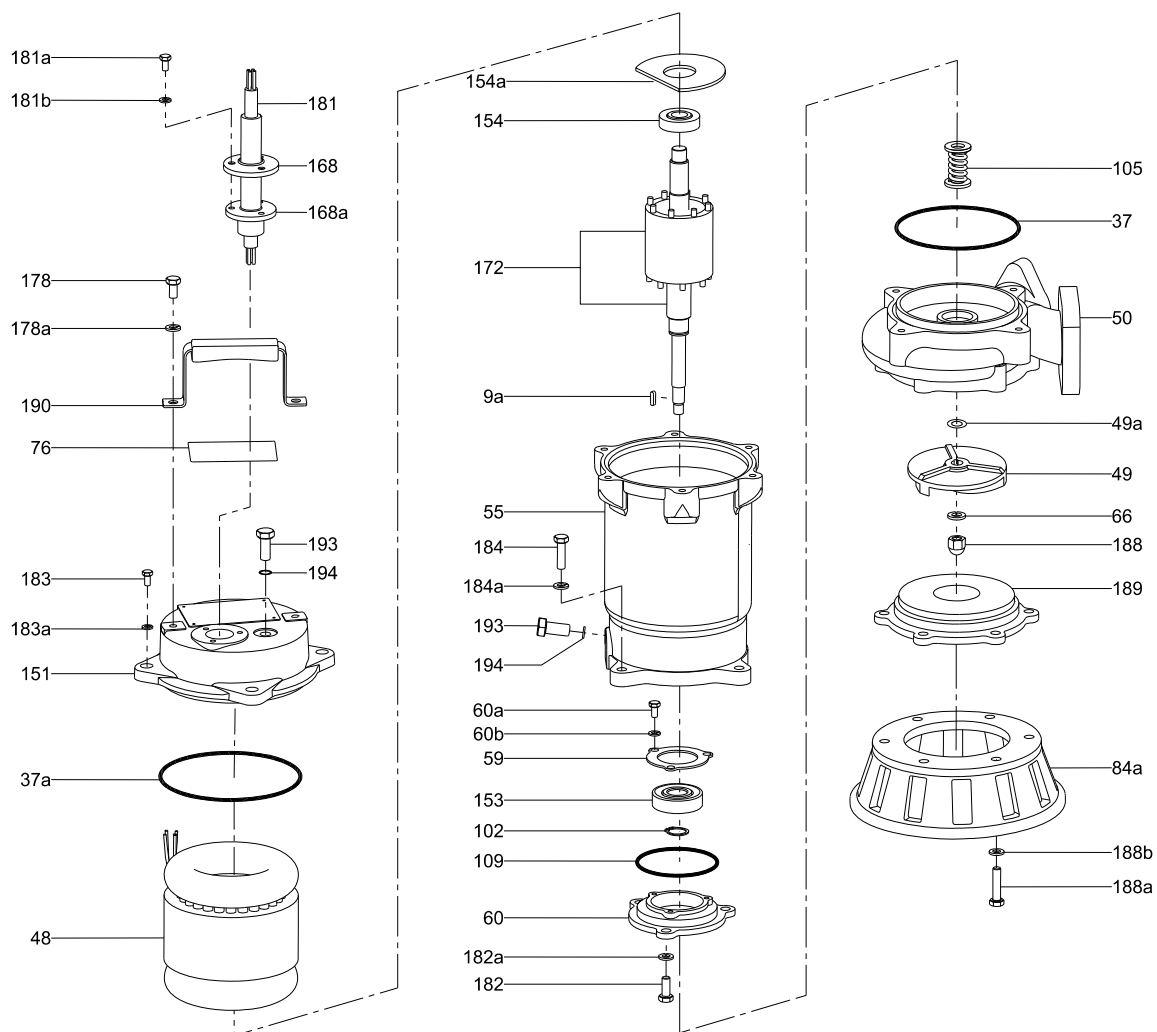
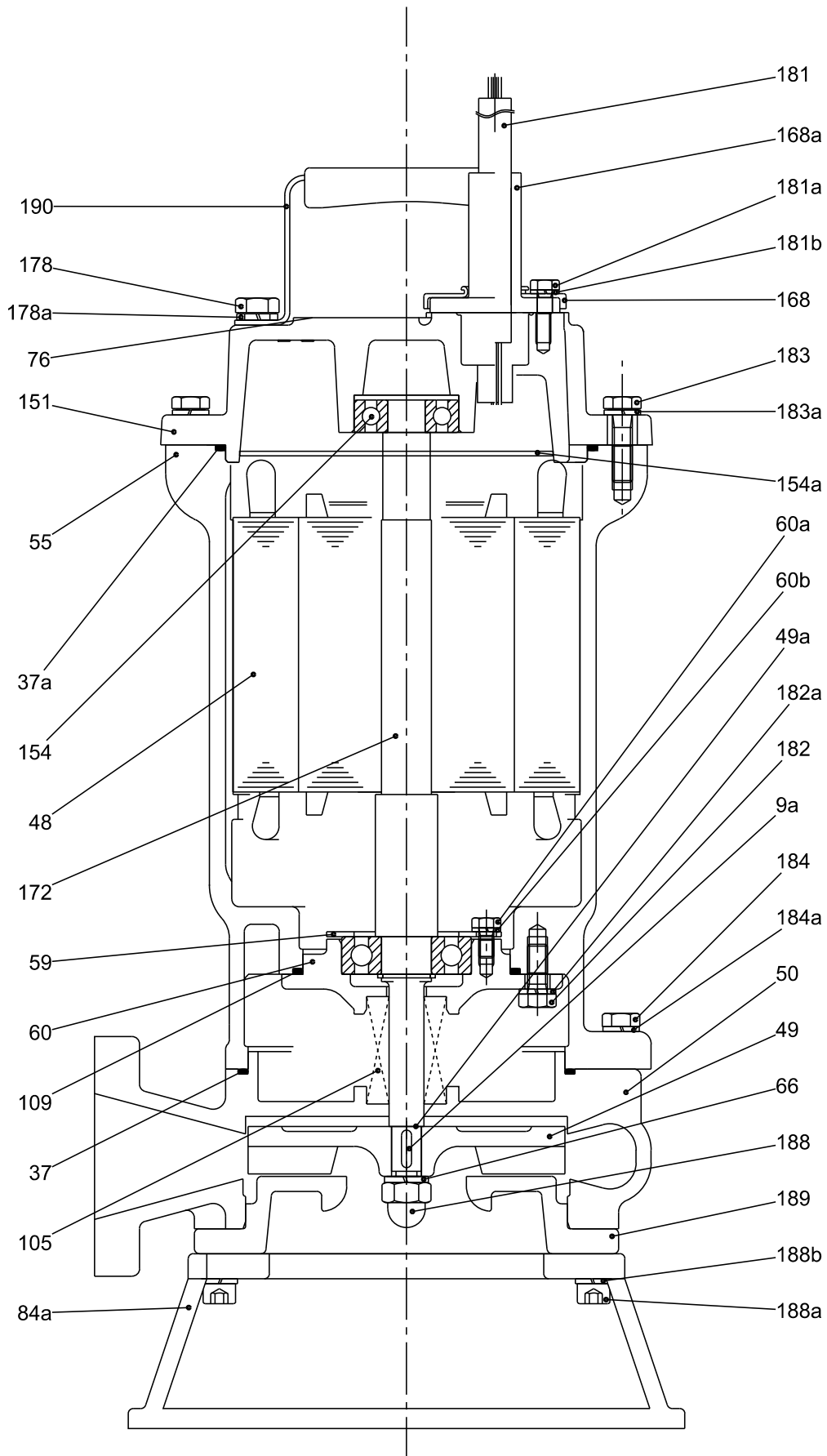


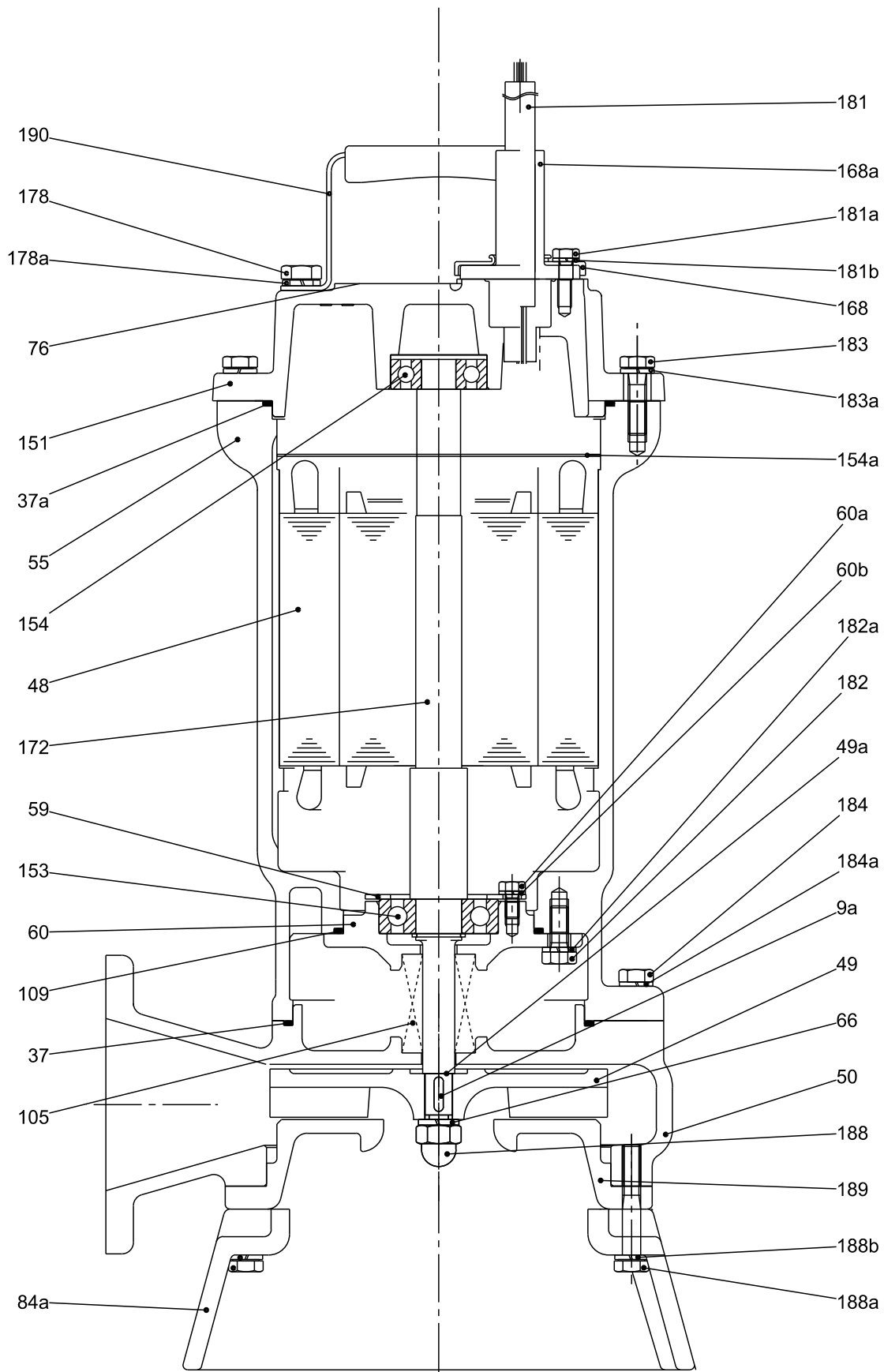
Fig. 26 Exploded view DPK.10.50.075, DPK.10.50.15 and DPK.10.80.22

TM04 4365 4214



TM04 4369 4214

Fig. 27 Sectional drawing DPK.10.50.075 and DPK.10.50.15



TM04 4370 4214

Fig. 28 Sectional drawing DPK.10.80.22

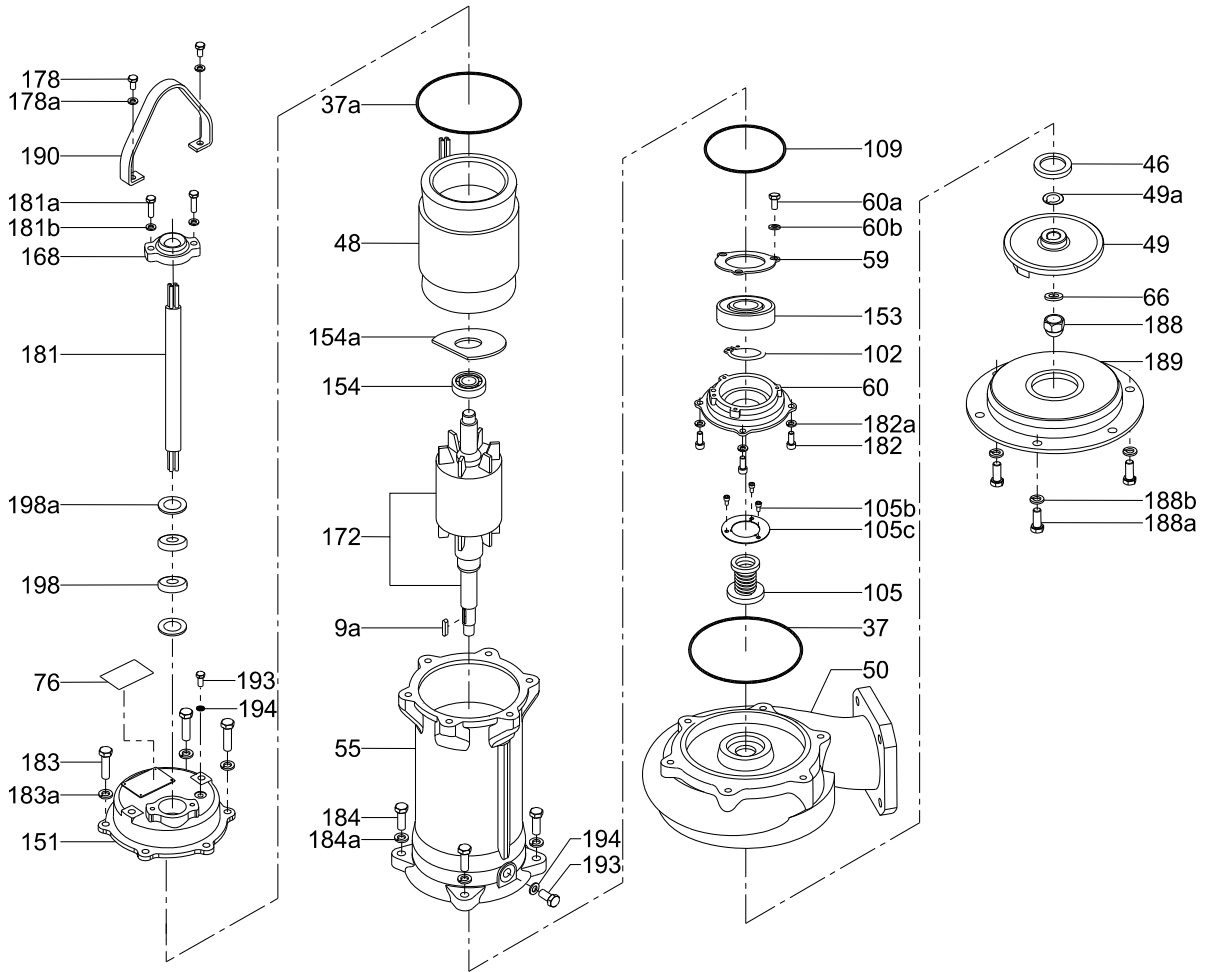


Fig. 29 Exploded view DPK.15.80.37, DPK.15.80.55, DPK.15.100.75, DPK.20.100.110 and DPK.20.100.150

TM04 4367 4214

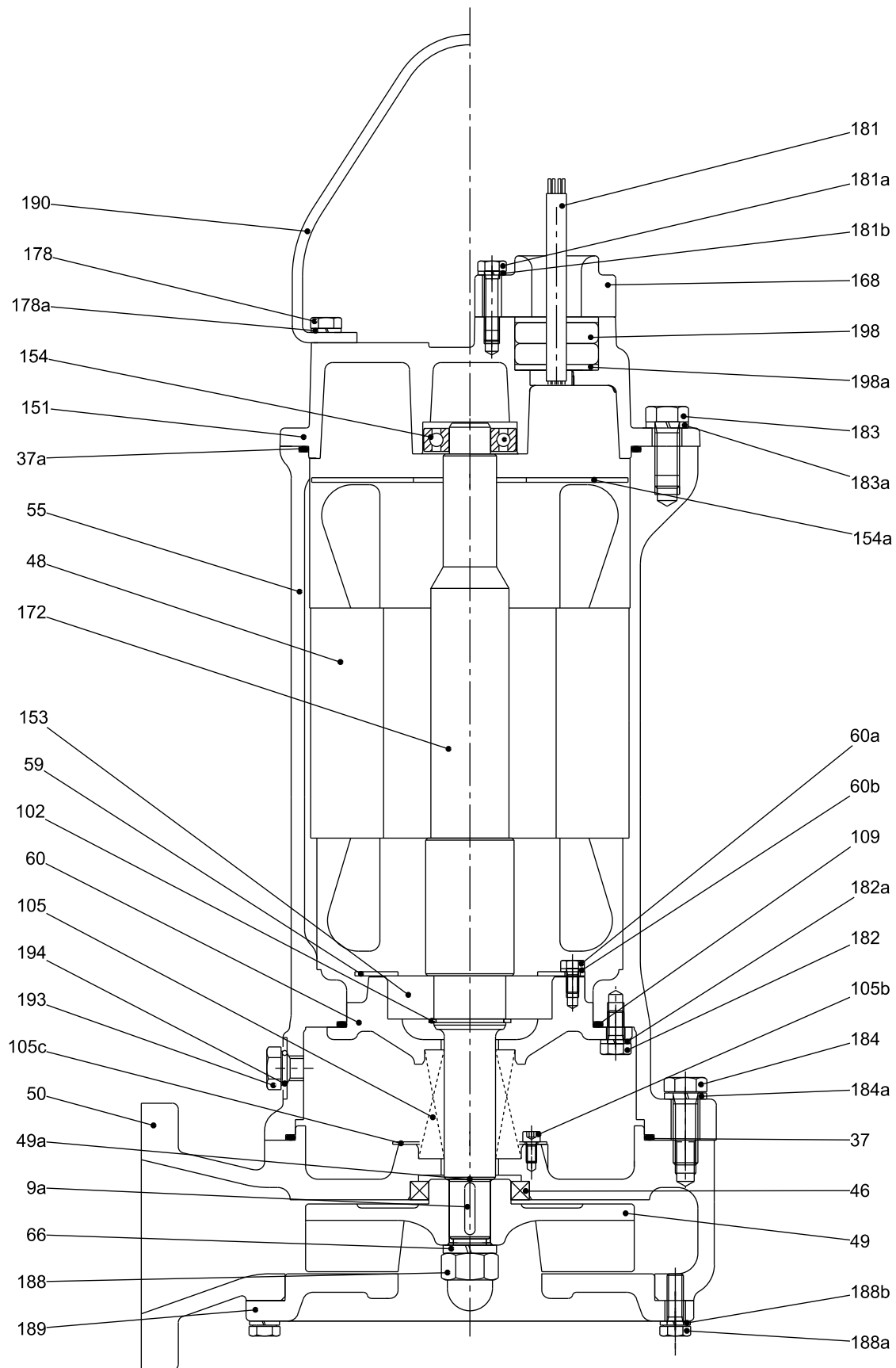
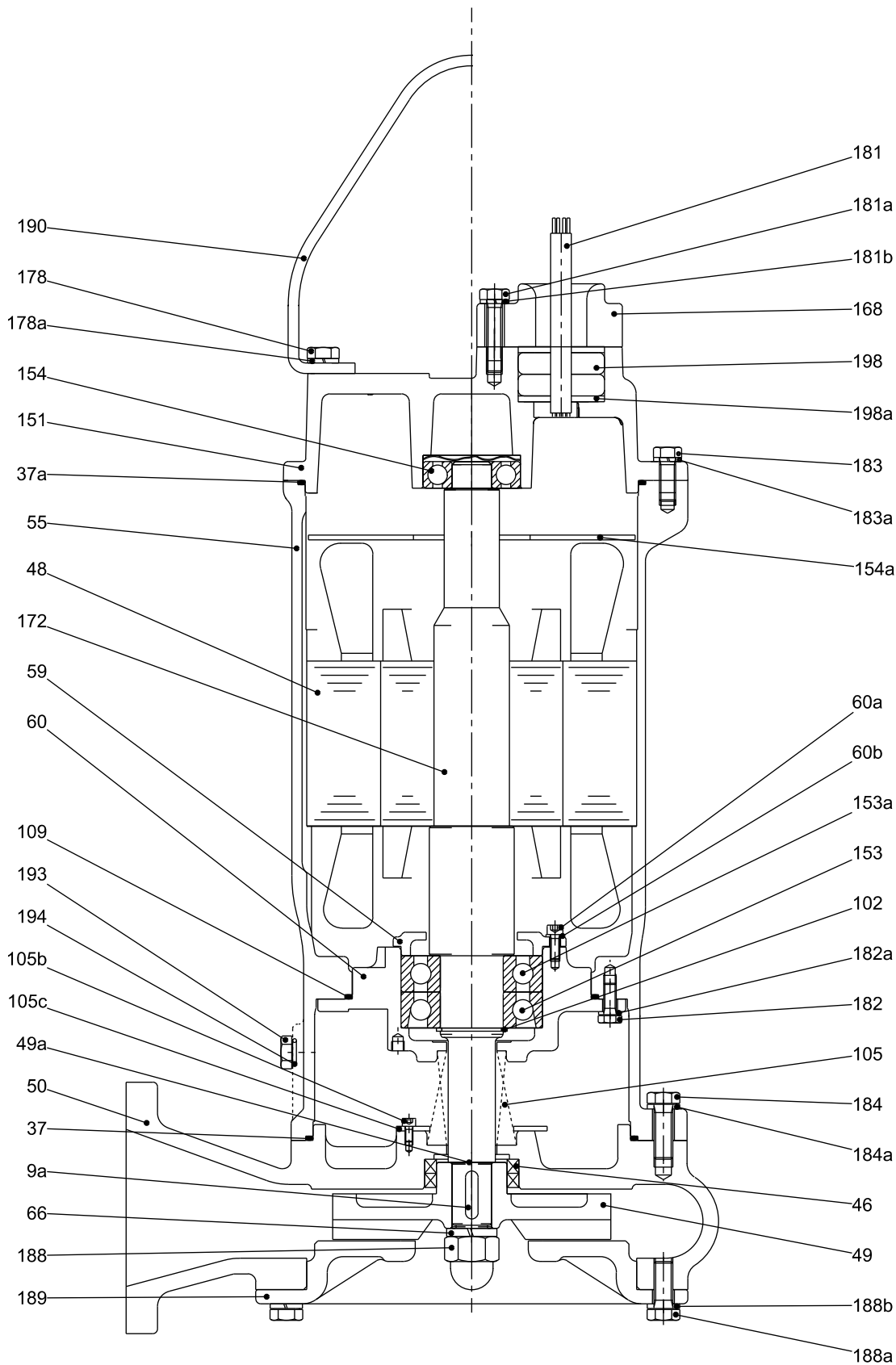


Fig. 30 Sectional drawing DPK.10.80.37

TM04 4372 4214



TM04 4371 4214

Fig. 31 Sectional drawing DPK.15.80.55 and DPK.15.100.75

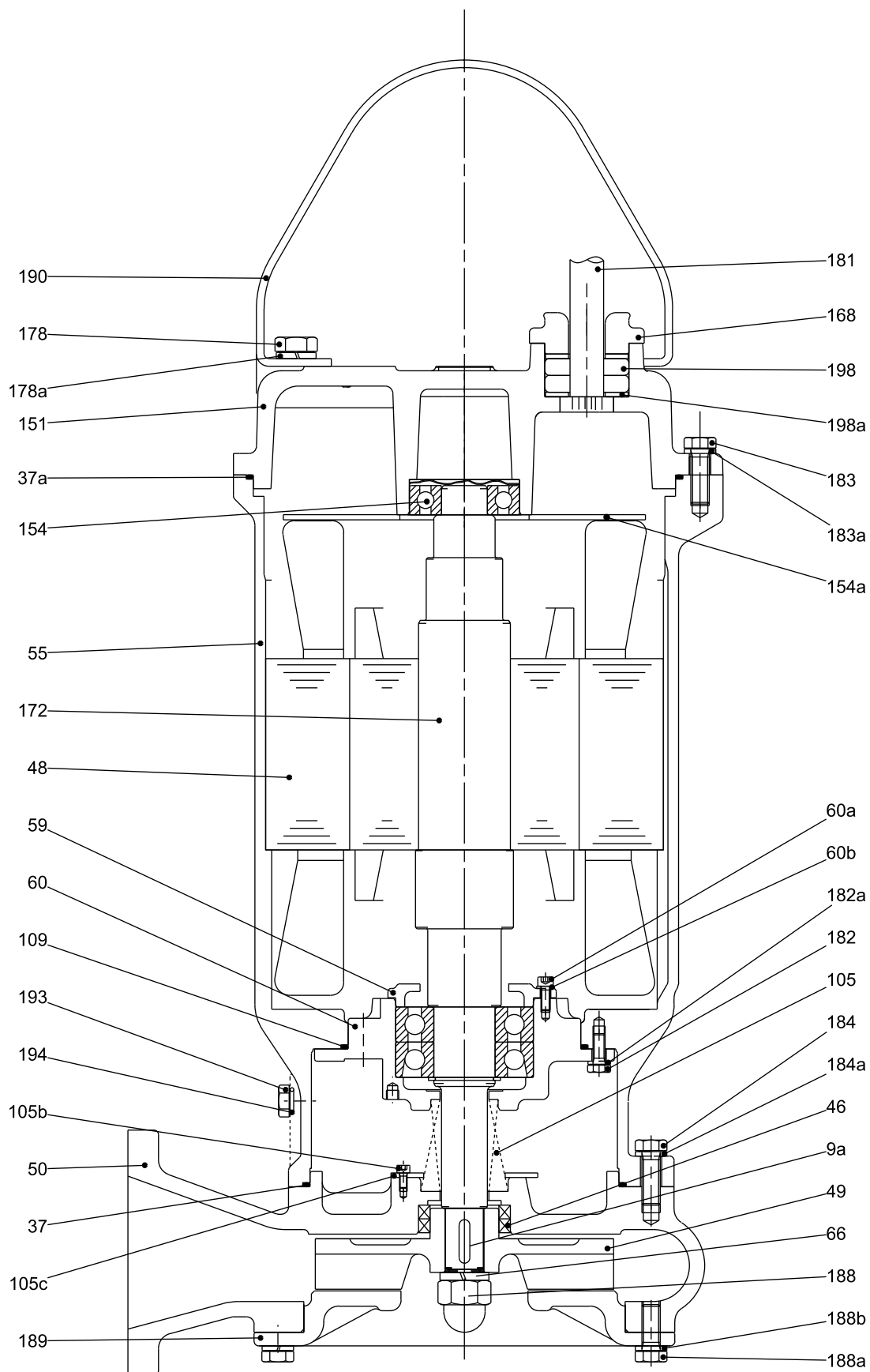


Fig. 32 Sectional drawing DPK.20.100.110 and DPK.20.100.150

TM04 4373 4214

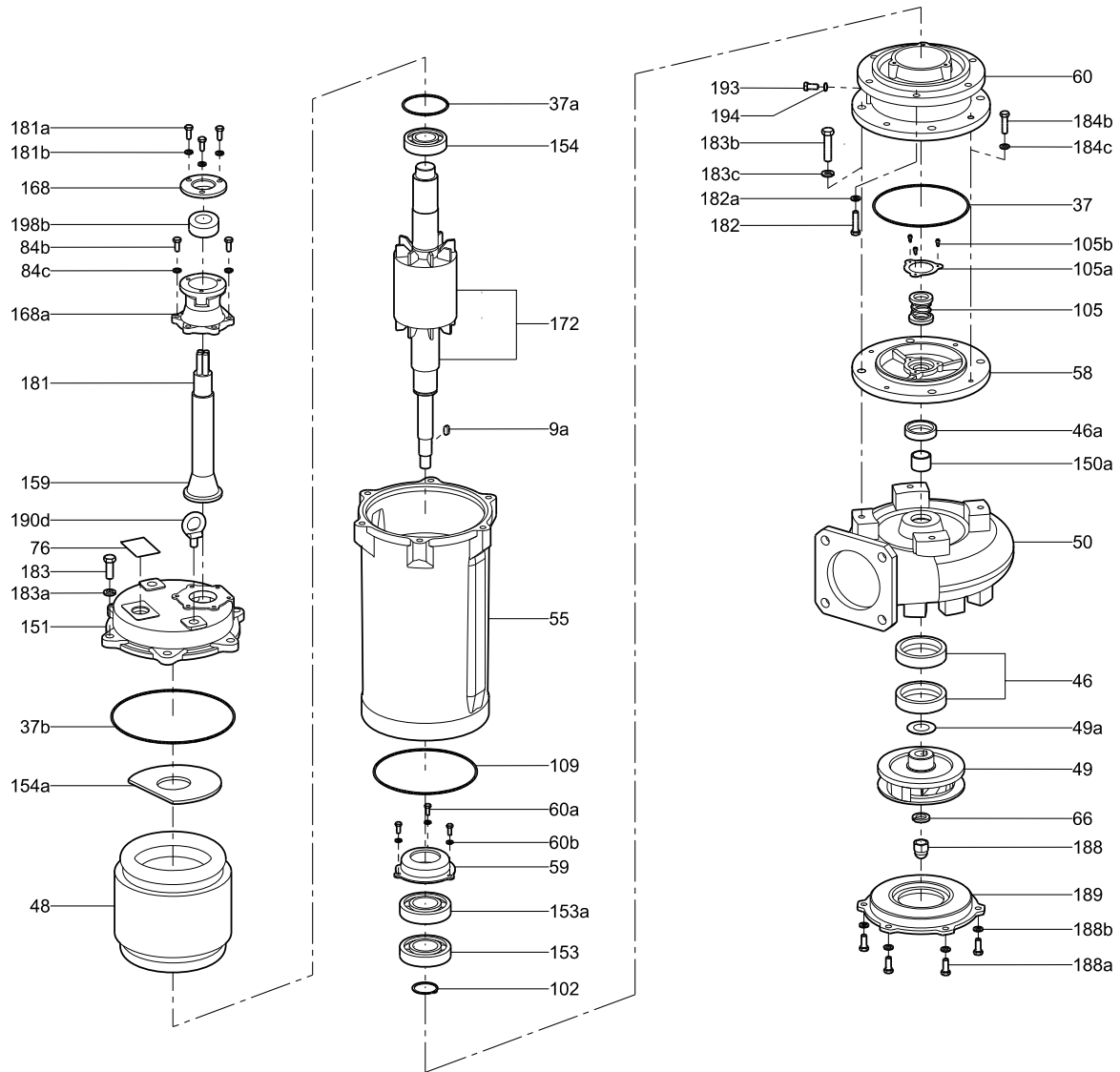
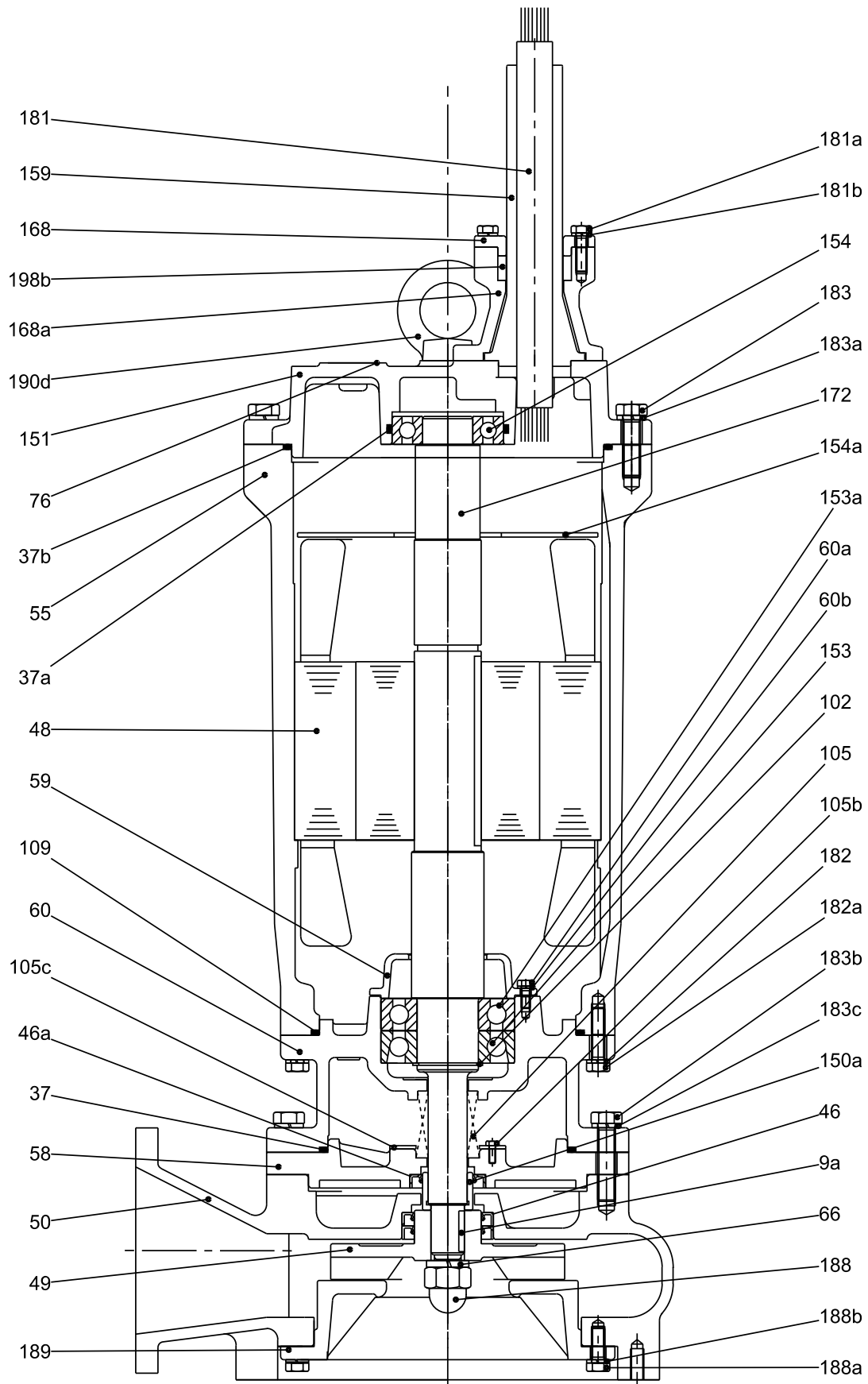


Fig. 33 Exploded view DPK.20.150.190 and DPK.20.150.220

TM04 4706 1909



TM04 4368 1809

Fig. 34 Sectional drawing DPK.20.150.190 and DPK.20.150.220

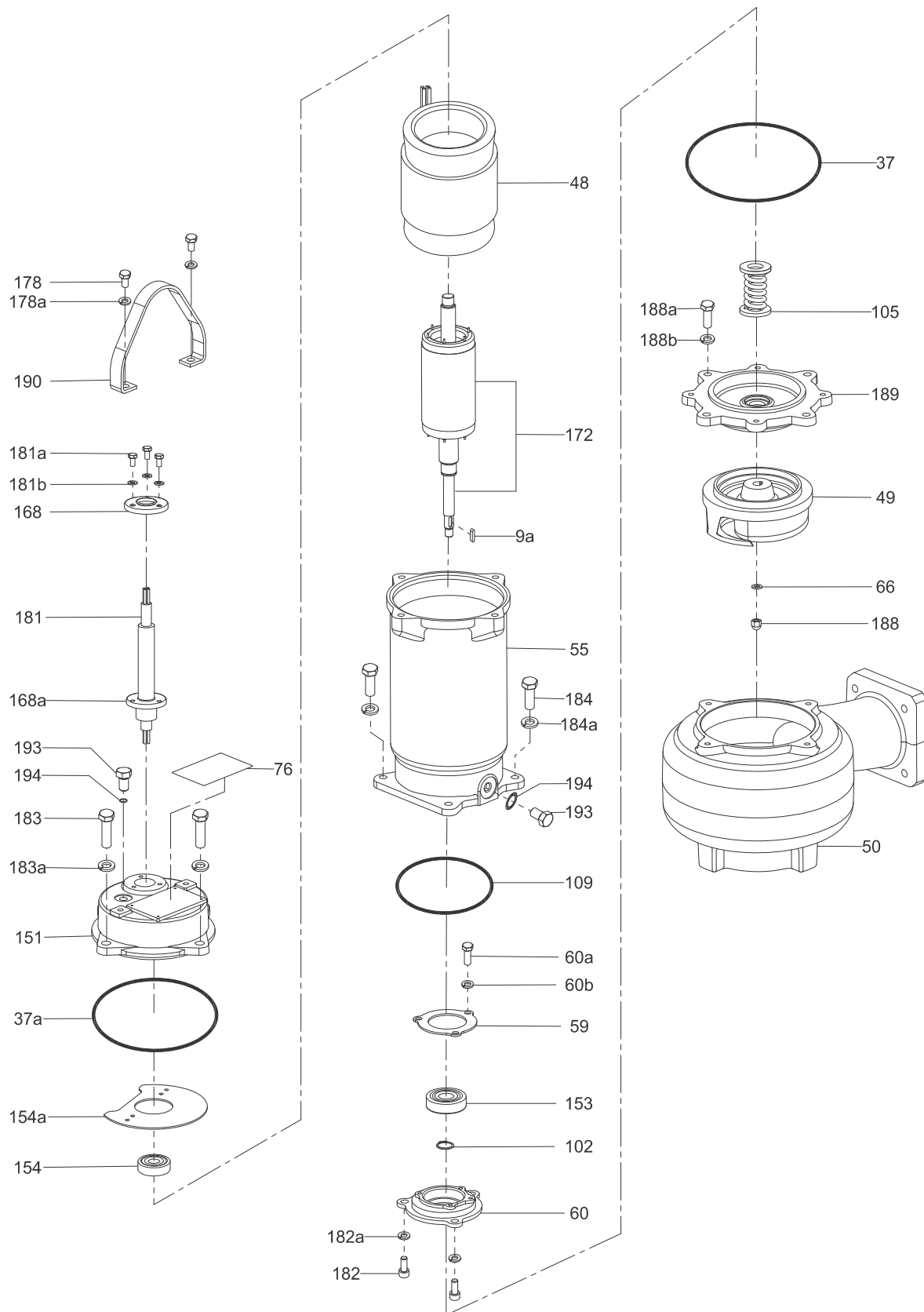
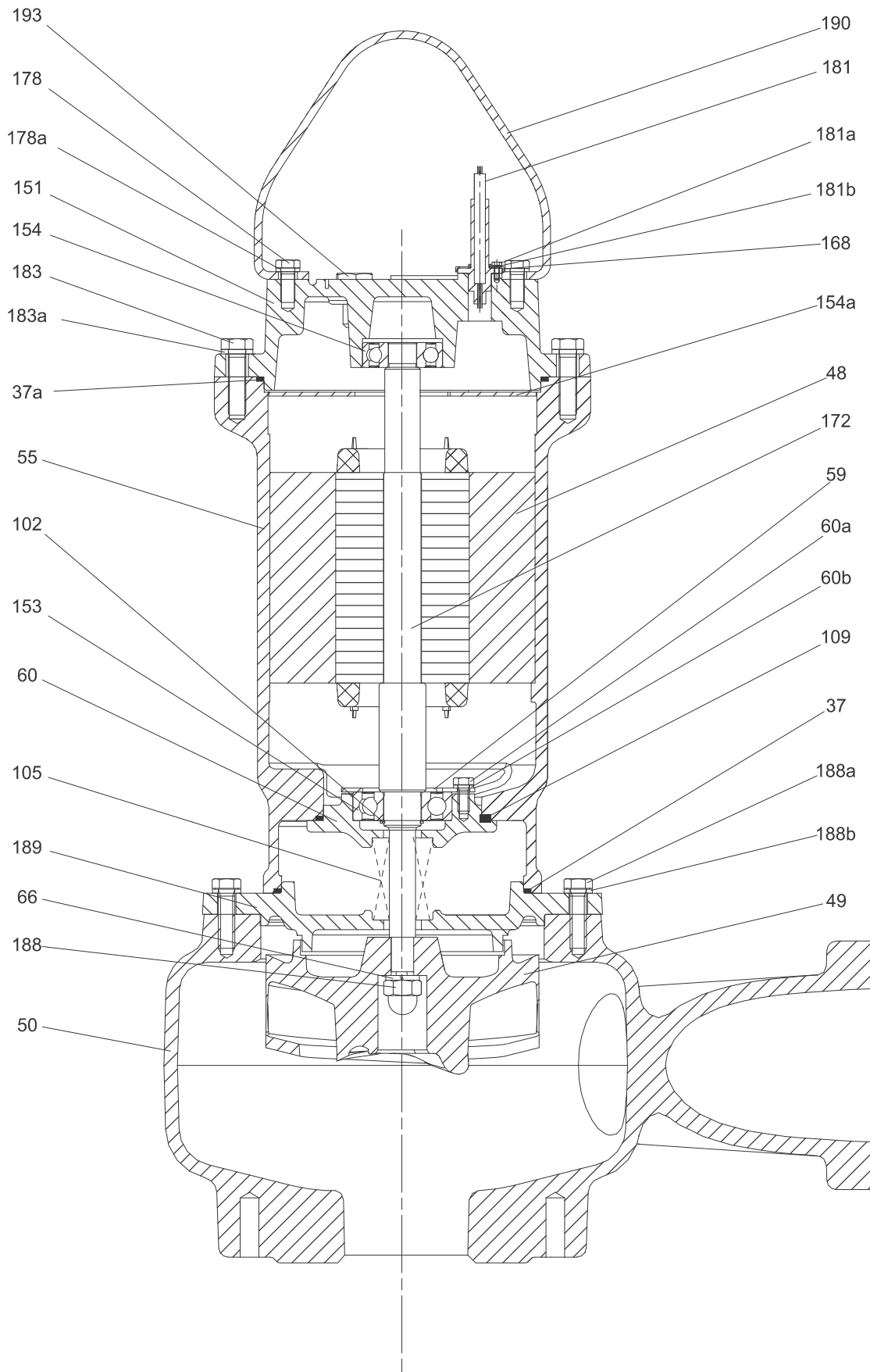


Fig. 35 Sectional view DPK.V.65.80.15.2 and DPK.V.65.80.22.2

TM06 5610 5215



TM06 5611 5215

Fig. 36 Sectional drawing DPK.V.65.80.15.2 and DPK.V.65.80.22.2

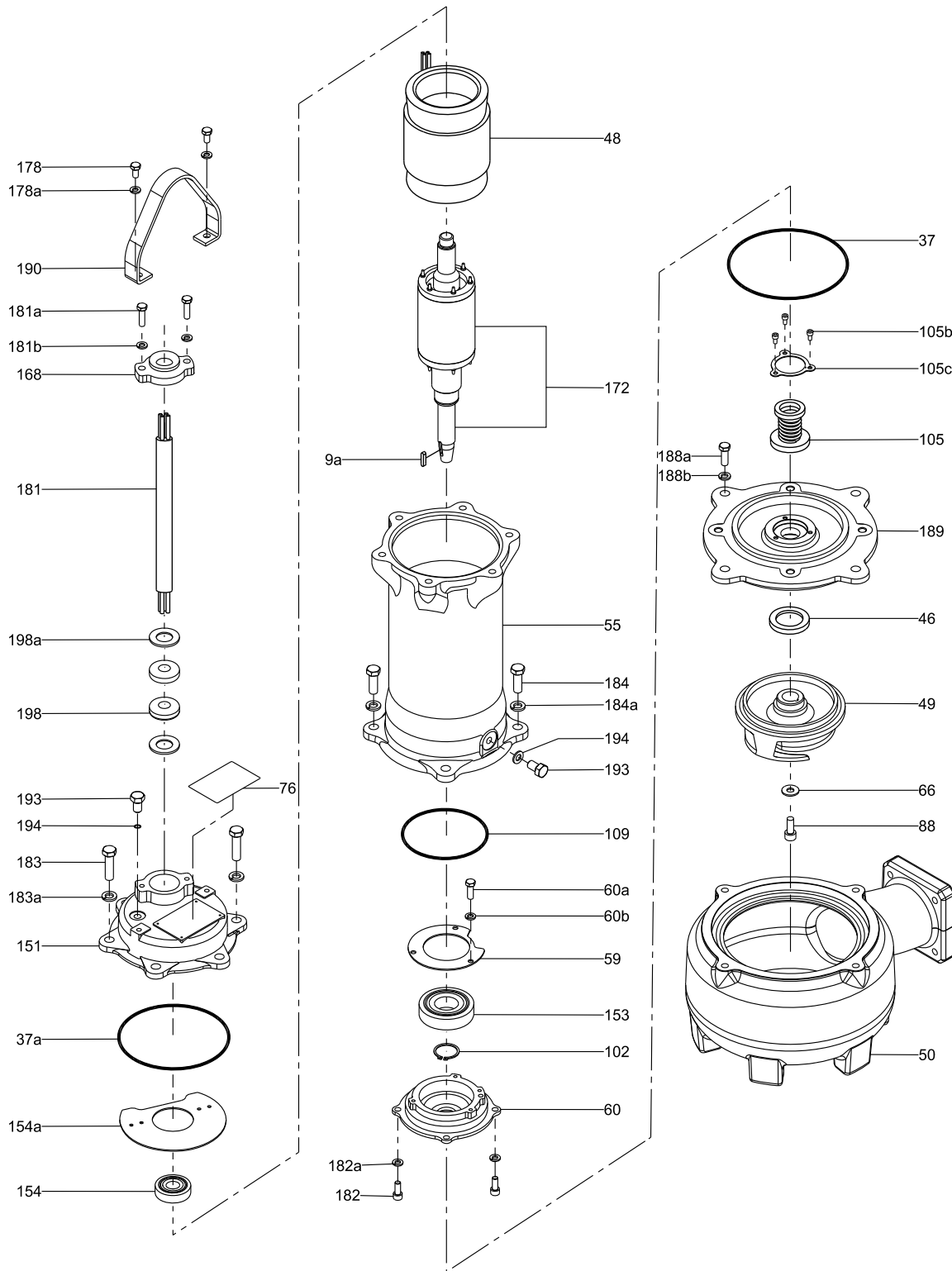


Fig. 37 Exploded view DPK.V.80.80.37.2

TM06 5428 5215

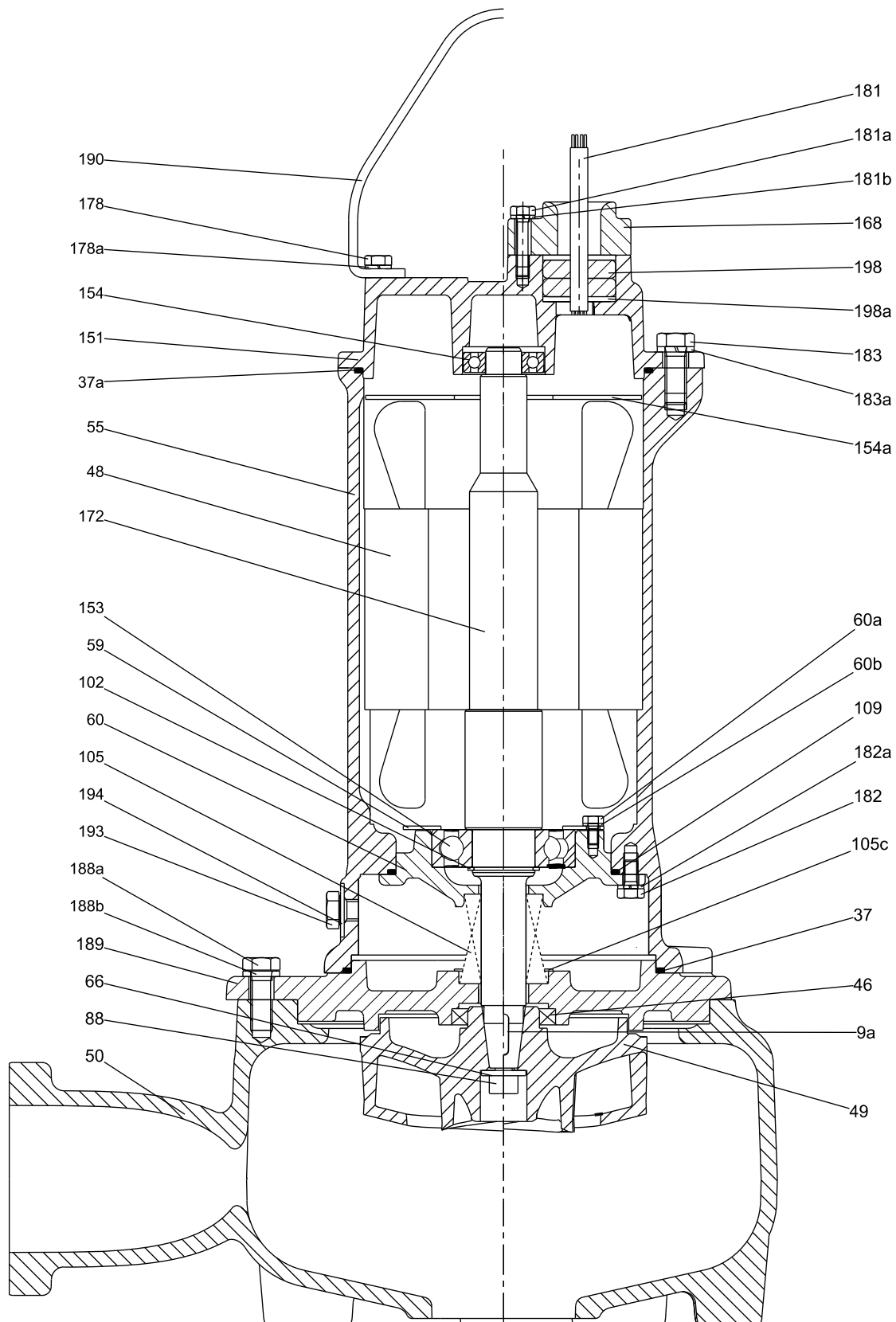


Fig. 38 Sectional drawing DPK.V.80.80.37.2

TM06 5429 5215

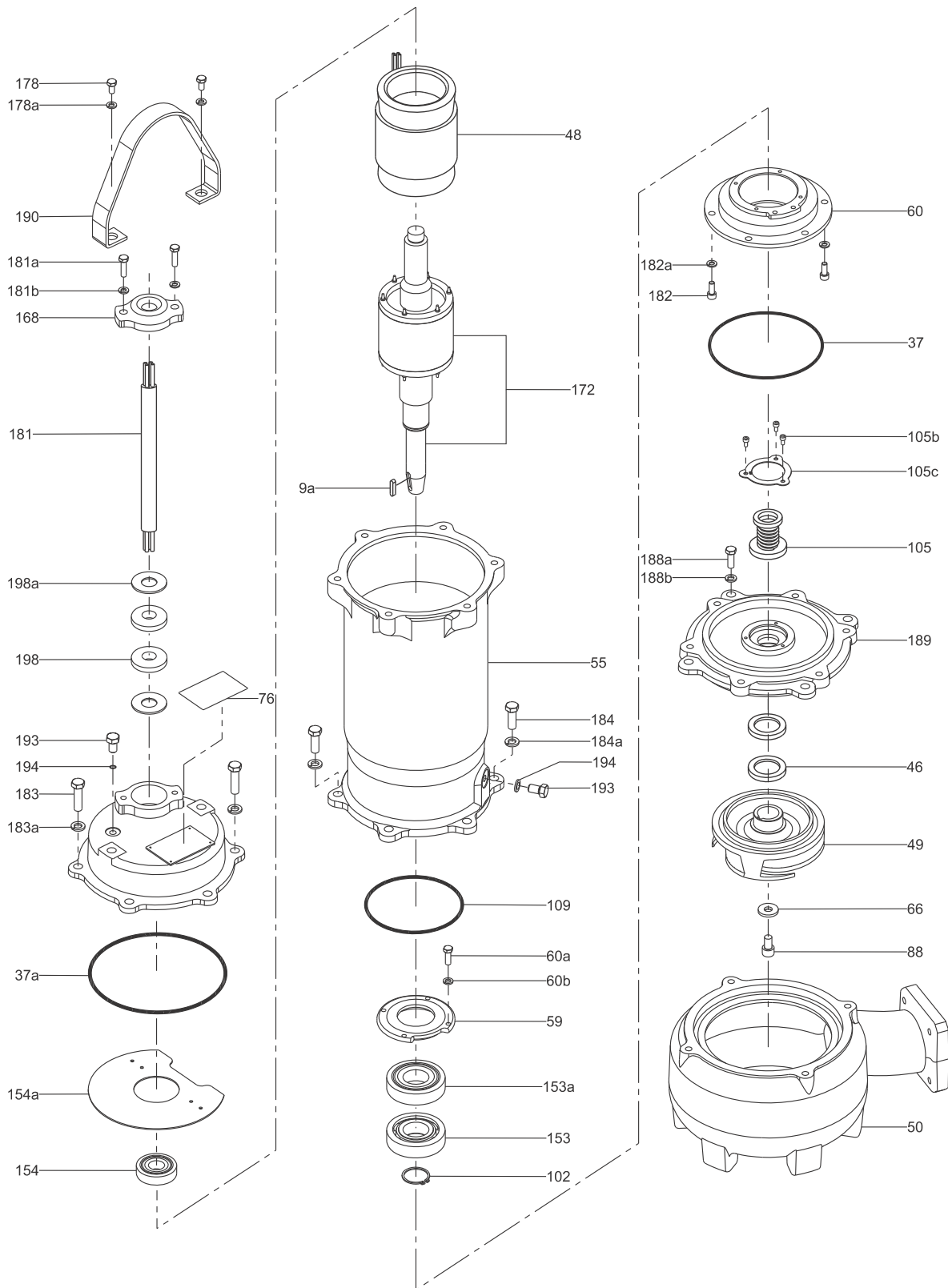


Fig. 39 Exploded view DPK.V.80.80.55.2 and DPK.V.80.80.75.2

TM06 5430 5215

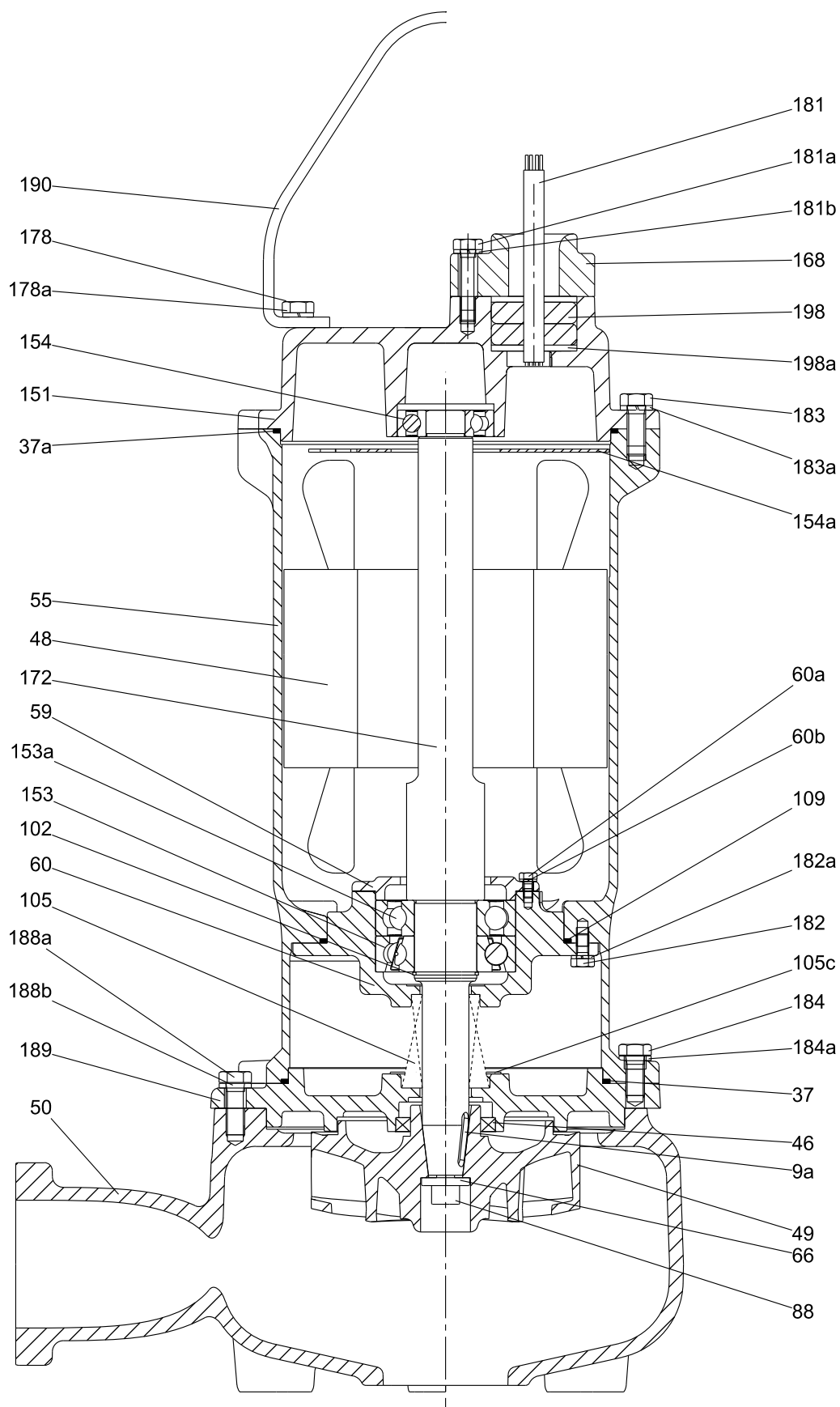


Fig. 40 Sectional drawing DPK.V.80.80.55.2 and DPK.V.80.80.75.2

TM06 5431 5215

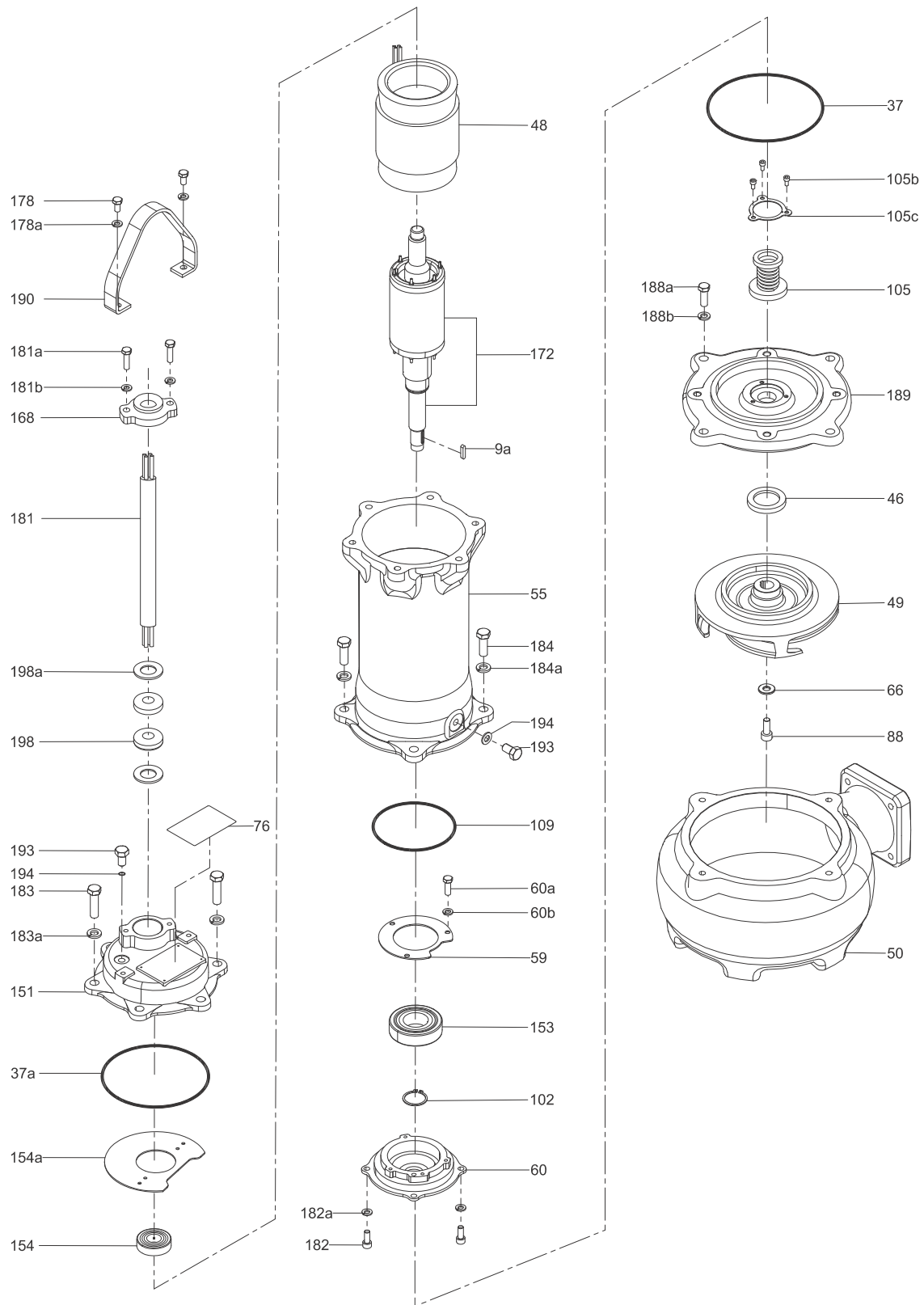
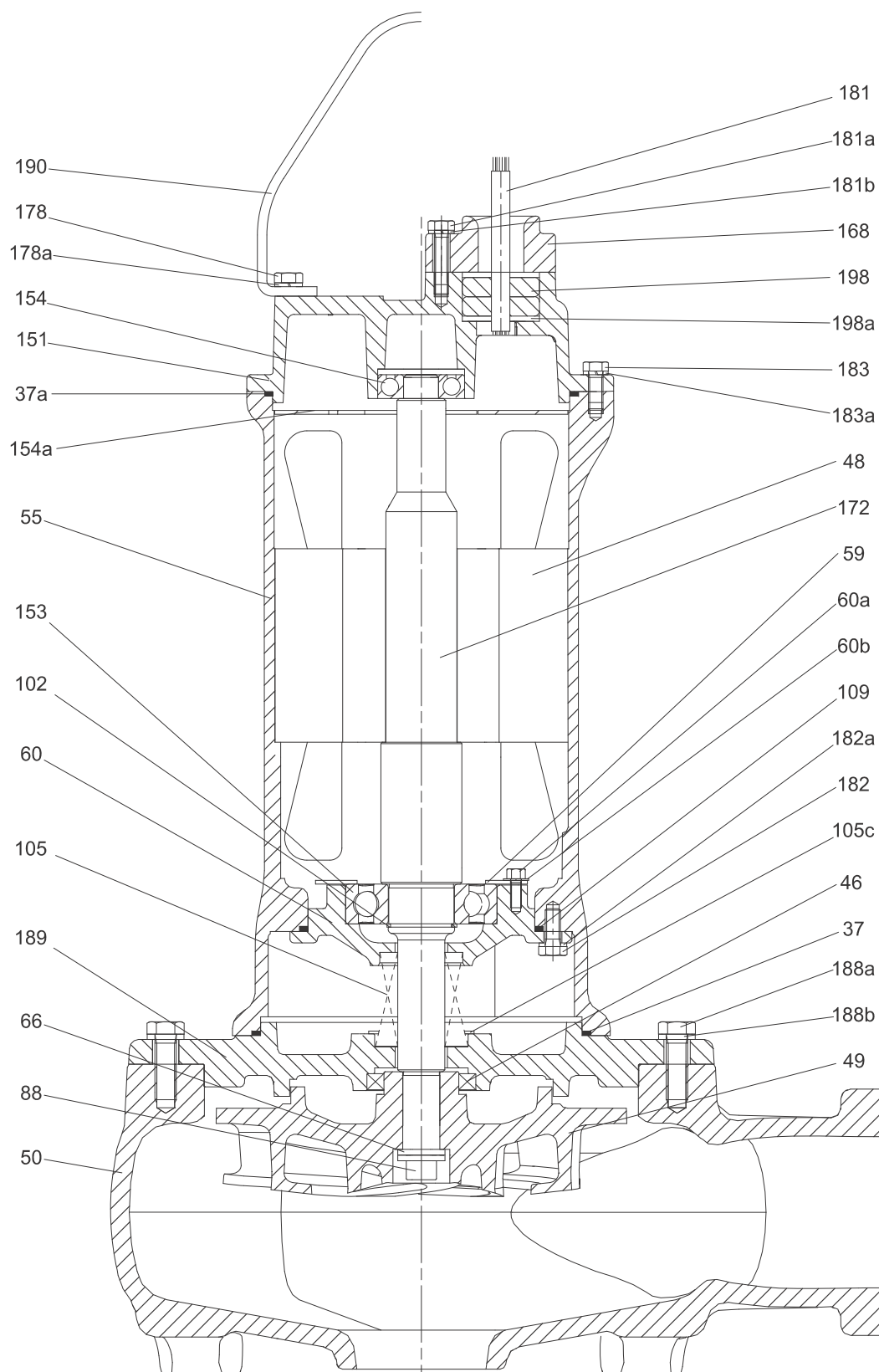


Fig. 41 Exploded view DPK.V.65.80.15.4 and DPK.V.65.80.22.4

TM06 5608 5215



TM06 5613 5215

Fig. 42 Sectional drawing DPK.V.65.80.15.4 and DPK.V.65.80.22.4

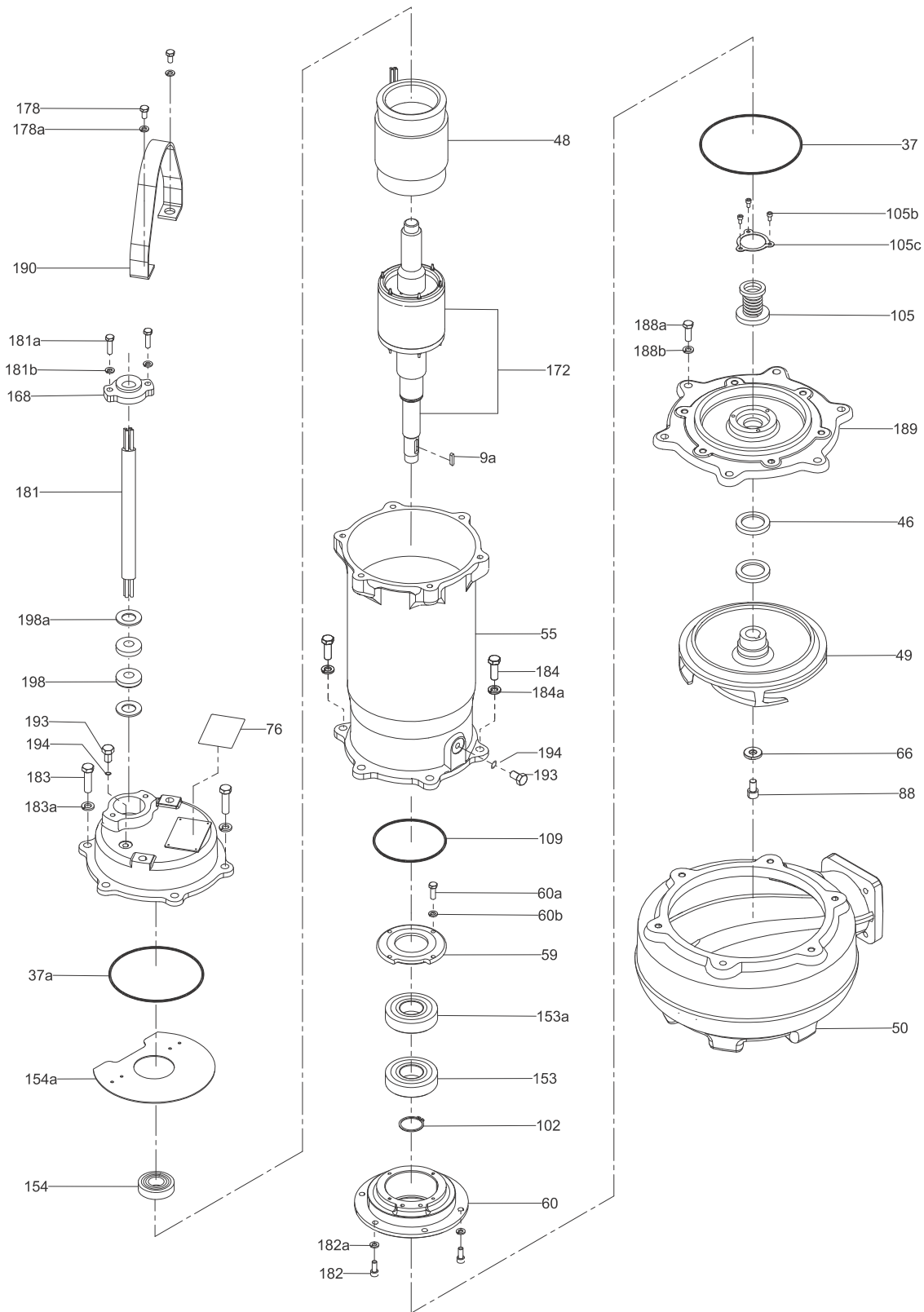


Fig. 43 Exploded view DPK.V.80.80.37.4, DPK.V.80.80.55.4 and DPK.V.80.80.75.4

TM06 5609 5215

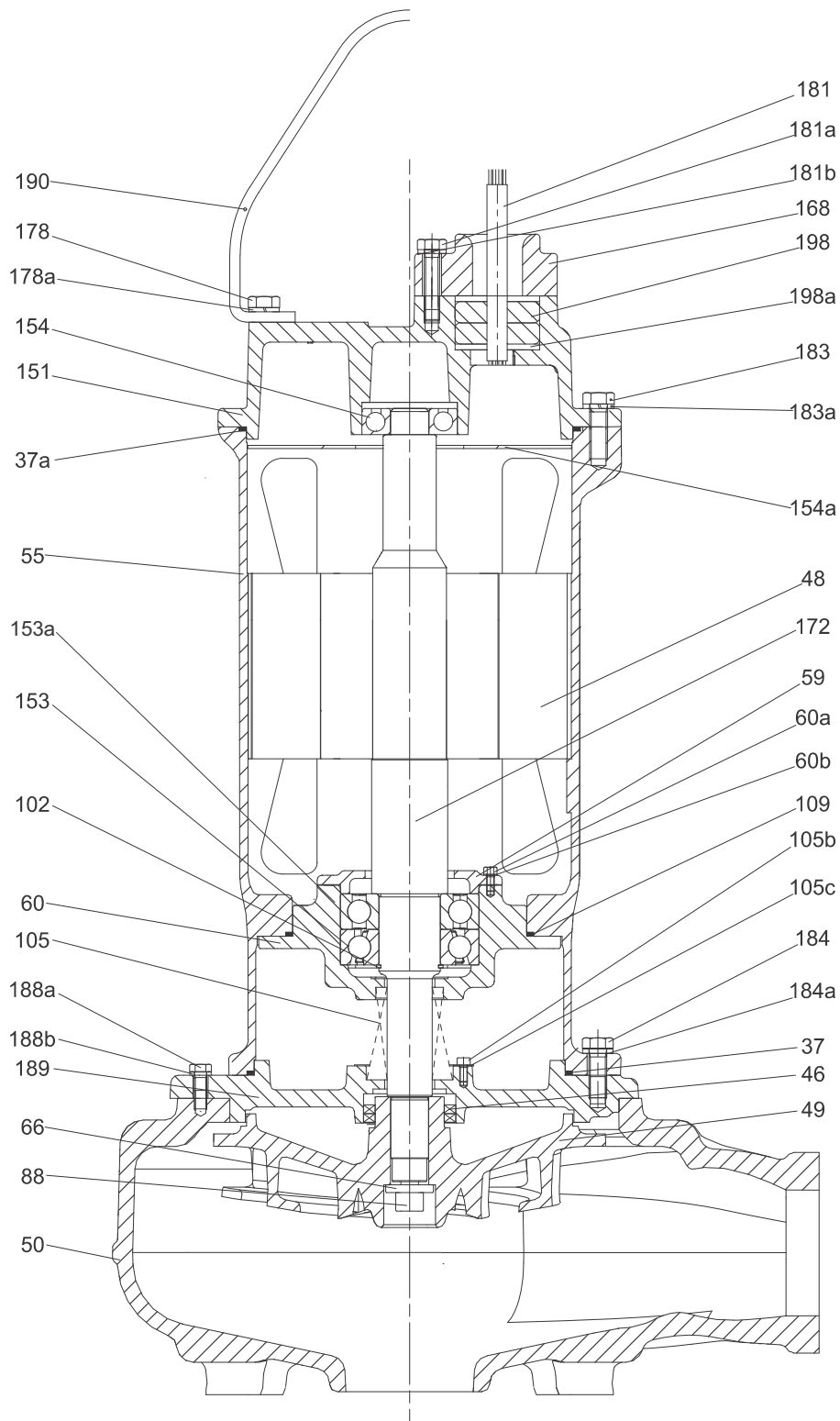


Fig. 44 Sectional drawing DPK.V.80.80.37.4, DPK.V.80.80.55.4 and DPK.V.80.80.75.4

TM06 5612 5215

Material specification

Pos.	Designation	Material		
		KS	ASTM	DIN
9	a Key	STS410	ANSI 410	17440
12	Flange	GC200	A48-CL30	GG20
13	Hose connection	GC200	A48-CL30	GG20
26	a O-ring	NBR	NBR	NBR
35	Hexagon head cap screw	STS304	A276-304	1.4301
35	a O-ring	NBR	NBR	NBR
35	b Spring washer	STS304	A276-304	1.4301
35	c Gasket	NBR	NBR	NBR
37	O-ring	NBR	NBR	NBR
37	a O-ring	NBR	NBR	NBR
37	b O-ring	NBR	NBR	NBR
37	c O-ring	NBR	NBR	NBR
37	e Gasket	NBR	NBR	NBR
39	O-ring	NBR	NBR	NBR
39	a O-ring	NBR	NBR	NBR
39	b O-ring	NBR	NBR	NBR
39	c O-ring	NBR	NBR	NBR
39	e Gasket	NBR	NBR	NBR
46	Lip seal	SCP1	SCP1	SCP1
48	Stator	-	-	-
49	Impeller	GCD450/Hi-Cr	A536-77/Hi-Cr	GGG40/Hi-CrI
49	a Spacer ring	SS400	A283-Gr.D	-
50	Pump housing	GC200	A48-CL30	GG20
55	Motor housing	GC200	A48-CL30	GG20
55	a Outer casing (DWK,E)	SPP	A53-48	1629(1)-61
	Motor bracket (DPK)	GC200	A28-CL30	GG20
59	Bearing cover	GC200	A48-CL30	GG20
60	Lower bearing bracket	GC200	A48-CL30	GG20
60	a Hexagon head cap screw	SM25C	A108-1025	-
60	b Spring washer	SM25C	A108-1025	-
61	c Upper bearing bracket	GC200	A48-CL30	GG20
66	Spring washer	STS304	A276-304	1.4301
76	Nameplate	STS304	A276-304	1.4301
84	a Inlet strainer/ring stand	SS400	A283-Gr.D	-
84	b Hexagon head cap screw	STS304	A276-304	1.4301
84	c Spring washer	STS304	A276-304	1.4301
88	Hexagon socket head cap screw			
102	Stop ring	STS304	A276-304	1.4301
105	Mechanical shaft seal	-	-	-
105	b Hexagon head cap screw	SM25C	A108-1025	-
105	c Shaft seal retainer	STS304	A276-304	1.4301
107	O-ring	NBR	NBR	NBR
108	Sealing washer	STS304	A276-304	1.4301
108	a O-ring	NBR	NBR	NBR
109	O-ring	NBR	NBR	NBR
109	a O-ring	NBR	NBR	NBR
150	a Shaft sleeve	STS304	A276-304	1.4301
151	Motor bracket (DWK)	GC200	A48-CL30	GG20
	Head cover (DPK)	GC200	A48-CL30	GG20
153	Lower bearing	-	-	-
153	a			
154	Upper bearing	-	-	-
154	a Cover	-	-	-
155	Shaft seal housing	GC200	A48-CL30	GG20
159	Rubber tube	NBR	NBR	NBR
159	a Clamping ring	GC200	A48-CL30	GG20
168	Clamping ring	GC200	A48-CL30	GG20
168	a Cable entry	GC200	A48-CL30	GG20
172	Rotor with shaft	STS410	ANSI 410	-

Pos.	Designation	Material		
		KS	ASTM	DIN
178	Hexagon head cap screw	STS304	A276-304	1.4301
178	a Spring washer	STS304	A276-304	1.4301
181	Power supply cable	PNCT	PNCT	PNCT
181	a Hexagon head cap screw	STS304	A276-304	1.4301
181	b Spring washer	STS304	A276-304	1.4301
182	Hexagon socket head cap screw	STS304	A276-304	1.4301
182	a Spring washer	STS304	A276-304	1.4301
183	Hexagon head cap screw	STS304	A276-304	1.4301
183	a Spring washer	STS304	A276-304	1.4301
183	b Hexagon head cap screw	STS304	A276-304	1.4301
183	c Spring washer	STS304	A276-304	1.4301
184	Hexagon head cap screw	STS304	A276-304	1.4301
184	a Spring washer	STS304	A276-304	1.4301
184	b Hexagon head cap screw	STS304	A276-304	1.4301
184	c Spring washer	STS304	A276-304	1.4301
185	O-ring	STS304	A276-304	1.4301
186	Hexagon head cap screw	STS304	A276-304	1.4301
186	a Spring washer	STS304	A276-304	1.4301
188	Hexagon nut	STS304	A276-304	1.4301
188	a Hexagon head cap screw	STS304	A276-304	1.4301
188	b Spring washer	STS304	A276-304	1.4301
189	Inlet cover (DWK)	GCD450	536-77	GGG40
	Inlet cover (DPK)	GC200	A28-CL30	GG20
190	Lifting handle	STS304	A276-304	1.4301
190	d Eyebolt	SM30C	A108-1030	-
193	Oil plug	STS304	A276-304	1.4301
194	O-ring	NBR	NBR	NBR
198	Cable gland	NBR	NBR	NBR
198	a Washer	STS304	A276-304	1.4301
522	Hexagon head cap screw	STS304	A276-304	1.4301
523	Spring washer	STS304	A276-304	1.4301

8. Product description

Features

Ball bearings

The lower bearings (153 and 153a) are double-row angular contact ball bearings.

The upper bearing (154) is a single-row deep-groove ball bearing.

All bearings are greased for life.

Shaft seals

DWK.O, DPK, DPK.V

The pumps have two mechanical shaft seals separating the motor from the pumped liquid. The shaft seals are in the oil chamber.

DWK.E

The pump has two mechanical shaft seals and an additional lip seal below the secondary mechanical seal. The additional lip seal protects the mechanical seals and shaft against possible abrasives. In case of wear, the lip seal can be replaced.

As the pump does not provide a high enough pressure around the shaft, eight springs provide the pressure to press the seal faces together.

The seal faces are made of SiC/SiC.

Motor

The motor is a watertight, totally enclosed motor.

Insulation class: F (155 °C).

Temperature class: F (105 °C).

Enclosure class: IP68.

For motor protection and sensors, see section [Sensors](#) on page 55 below.

Power cables

Cable type [mm ²]	Outer cable diameter [mm]	Bending radius	
		Fixed [mm]	Free [mm]
4 x 1.5 mm ²	13 ± 0.8	64	192
4 x 1.5 mm ² + 2 x 1 mm ²	17.5 ± 0.5	88	263
4 x 1.5 mm ² + 4 x 1 mm ²	17.5 ± 0.5	88	263
4 x 2.5 mm ² + 4 x 1 mm ²	21.5 ± 1.0	97	290
4 x 4.0 mm ² + 4 x 1 mm ²	21.5 ± 1.0	108	323
4 x 6.0 mm ² + 4 x 1 mm ²	25~25.4 ± 1.0	123	369
7 x 4.0 mm ² + 4 x 1 mm ²	25~25.4 ± 1.0	122	366
7 x 6.0 mm ² + 6 x 1 mm ²	25~25.4 ± 1.0	127	381
4 x 10.0 mm ² + 6 x 1 mm ²	33.6 ± 1.0	118	354
7 x 10.0 mm ² + 6 x 1.5 mm ²	28.6	143	429
7 x 16.0 mm ² + 6 x 1.5 mm ²	31.2	156	468
7 x 25.0 mm ² + 6 x 1.5 mm ²	43.4	217	651
7 x 35.0 mm ² + 6 x 1.5 mm ²	47.5	238	713

The cables are 10 m long as standard. Other cable lengths are available on request. See section [List of variants](#), page 14.

The number and dimension of cables depend on the motor size.

Cable entry

DWK.O, DPK

Rubber bushing.

DWK.E

Cable entry consisting of a rubber seal bushing, an epoxy diaphragm and a rubber cover. This provides radial and axial barrier against water penetration into the motor housing.

Sensors

As standard, the pumps are fitted with a bimetallic thermal switch that will cut the circuit when the motor temperature reaches 130 °C, except in these models:

- DWK.O.x.x.075.x.x.R
- DWK.O.x.x.15.x.x.R
- DWK.O.x.x.22.x.x.R
- DWK.O.x.x.37.x.0D.R.

The above-mentioned pumps have a circuit breaker instead of the bimetallic thermal switch.

Seal sensor for continuous monitoring of motor enclosure for liquid detection, except in these models:

- DWK.O.x.x.075.x.x
- DWK.O.x.x.15.x.x
- DWK.O.x.x.22.x.x
- DWK.O.x.x.37.x.x.
- DPK.x.x.075.x.x
- DPK.x.x.15.x.x
- DPK.x.x.22.x.x
- DPK.x.x.37.x.x.

Customised sensor options

- Pt100 sensor for temperature-monitoring of motor and/or lower bearing in versions where the sensor is not included as standard.
- Seal electrode sensor for monitoring water penetration into the oil chamber in versions where the sensor is not included as standard.

Testing

All pumps are tested before leaving the factory. The factory test report is based on ISO 9906:2012, grade 3B. Test reports can be ordered directly together with the pump or separately based on the pump serial number.

Other tests or third-party inspection certificates are available on request. See section [List of variants](#), page 14.

Operating conditions

The pumps are designed for continuous operation, S1, and intermittent operation, S3.

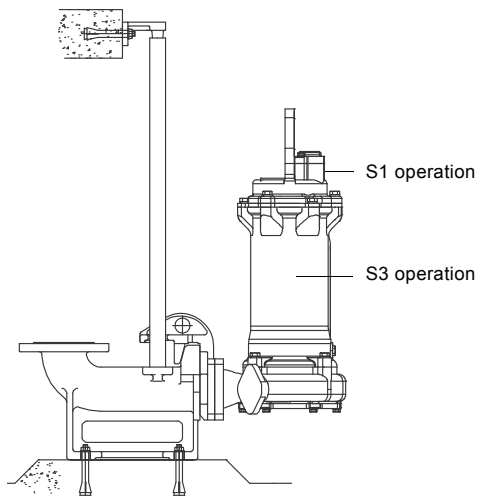


Fig. 45 Liquid level for DPK pumps in S1 or S3 operation

TM04 4 094 0709

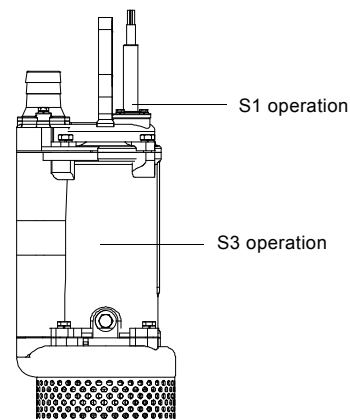


Fig. 46 Liquid level for DWK pumps in S1 or S3 operation

TM04 4 144 0709

Continuous operation

Continuous operation, S1, is allowed when the pump is fully submerged to the top of the motor.

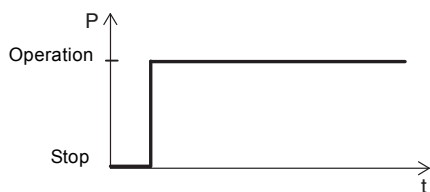


Fig. 47 Continuous operation

TM02 7775 4003

Intermittent operation

During intermittent operation, S3, the pump must run for maximum 4 minutes and stop for minimum 6 minutes. See fig. 48.

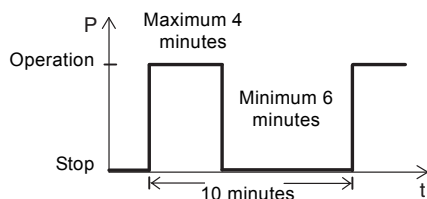


Fig. 48 Intermittent operation

TM04 2656 2808

Maximum number of starts per hour

DPK, DWK.O: 30.

DWK.E: 18.

Pumped liquids

pH value: 4-10.

Liquid temperature: 0 - 40 °C.

When pumping liquids with a density and/or a kinematic viscosity higher than that of water, use motors with correspondingly higher outputs.

Motor range

Pump type	Shaft power [kW]
DWK.O, DPK	0.75
DWK.O, DPK, DPK.V	1.5
DWK.O, DPK, DPK.V	2.2
DWK.O, DPK, DPK.V	3.7
DWK.O, DPK, DPK.V	5.5
DWK.O, DPK, DPK.V	7.5
DWK.O, DPK	11
DWK.O, DPK	15
DPK	19
DWK.E, DPK	22
DWK.E	30
DWK.E	37
DWK.E	45
DWK.E	55
DWK.E	75
DWK.E	90

Pump controllers

The pumps must be connected to a control box with a motor protection relay with IEC trip class 10 or 15.

Note: Pumps for hazardous locations must be connected to a control box with a motor protection relay with IEC trip class 10.

The pumps can be controlled by the following LC and LCD pump controllers:

- LC 107, LCD 107 with air bells
- LC 108, LCD 108 with float switches
- LC 110, LCD 110 with water level electrodes.

LC controllers are for single-pump installations; LCD controllers are for two-pump installations.

In the following description, "level switch" means air bell, float switch or water level electrode, depending on the pump controller selected.

The LC controller is fitted with two or three level switches; one for start and one for stop of pump. The third, optional, level switch is for high-level alarm.

The LCD controller is fitted with three or four level switches; two for start of the pumps and one for common stop. The fourth, optional, level switch is for high-level alarm.

For further settings, see the installation and operating instructions for the pump controller selected.

Frequency converter operation

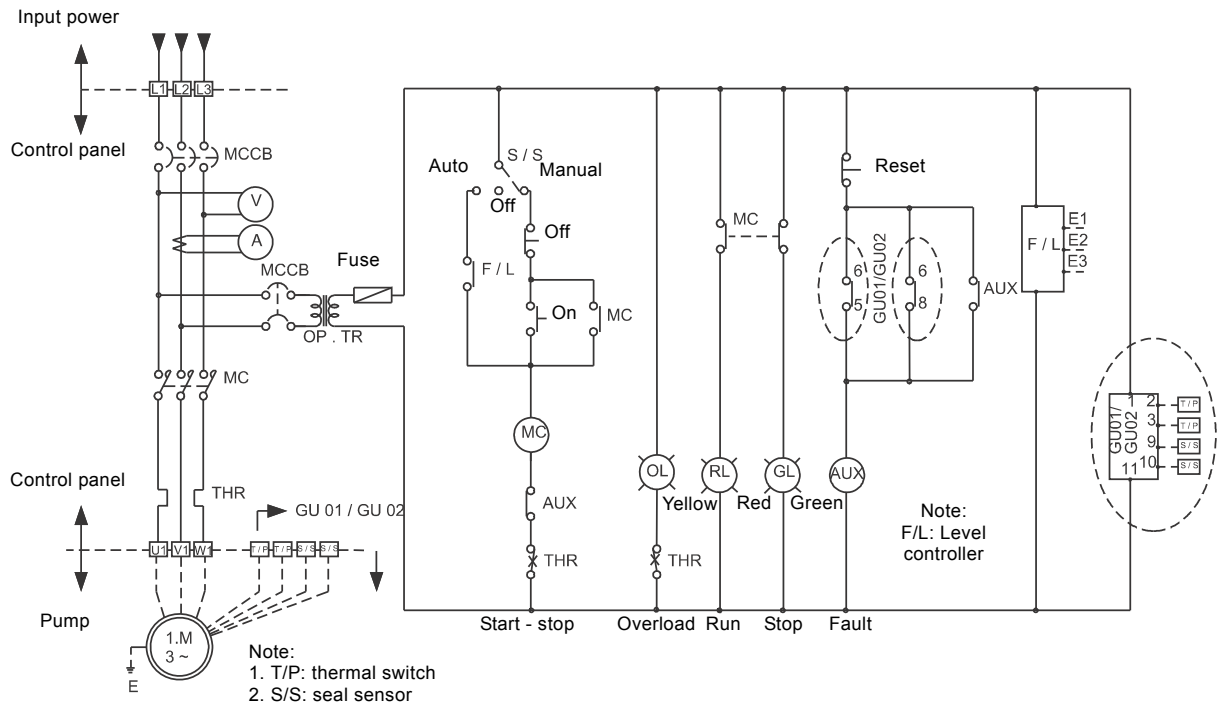
In principle, all three-phase motors can be connected to a frequency converter.

However, frequency converter operation will often expose the motor insulation system to a heavier load and cause the motor to be more noisy than usual due to eddy currents caused by voltage peaks.

In addition, large motors driven via a frequency converter will be loaded by bearing currents.

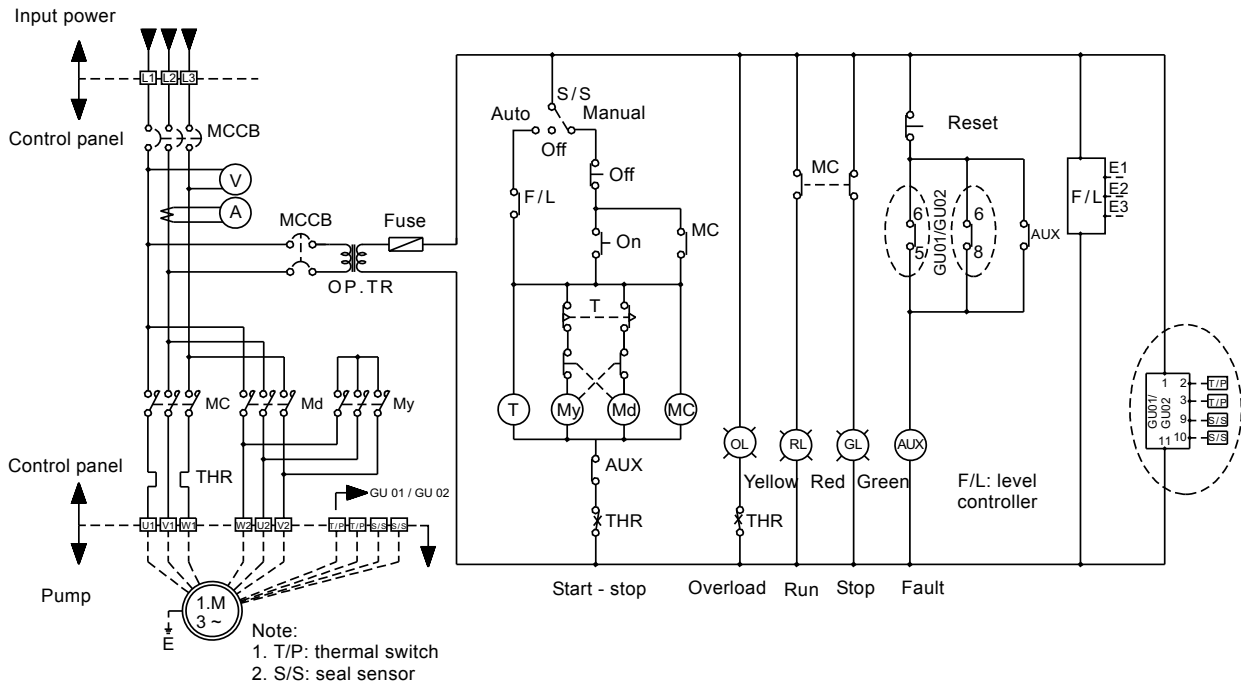
For more information, please see the installation and operating instructions, 96937255, for DWK and 96937253 for DPK in Grundfos Product Center at www.grundfos.com.

Wiring diagrams



TM04 4096 0709

Fig. 49 Wiring diagram, DOL starting

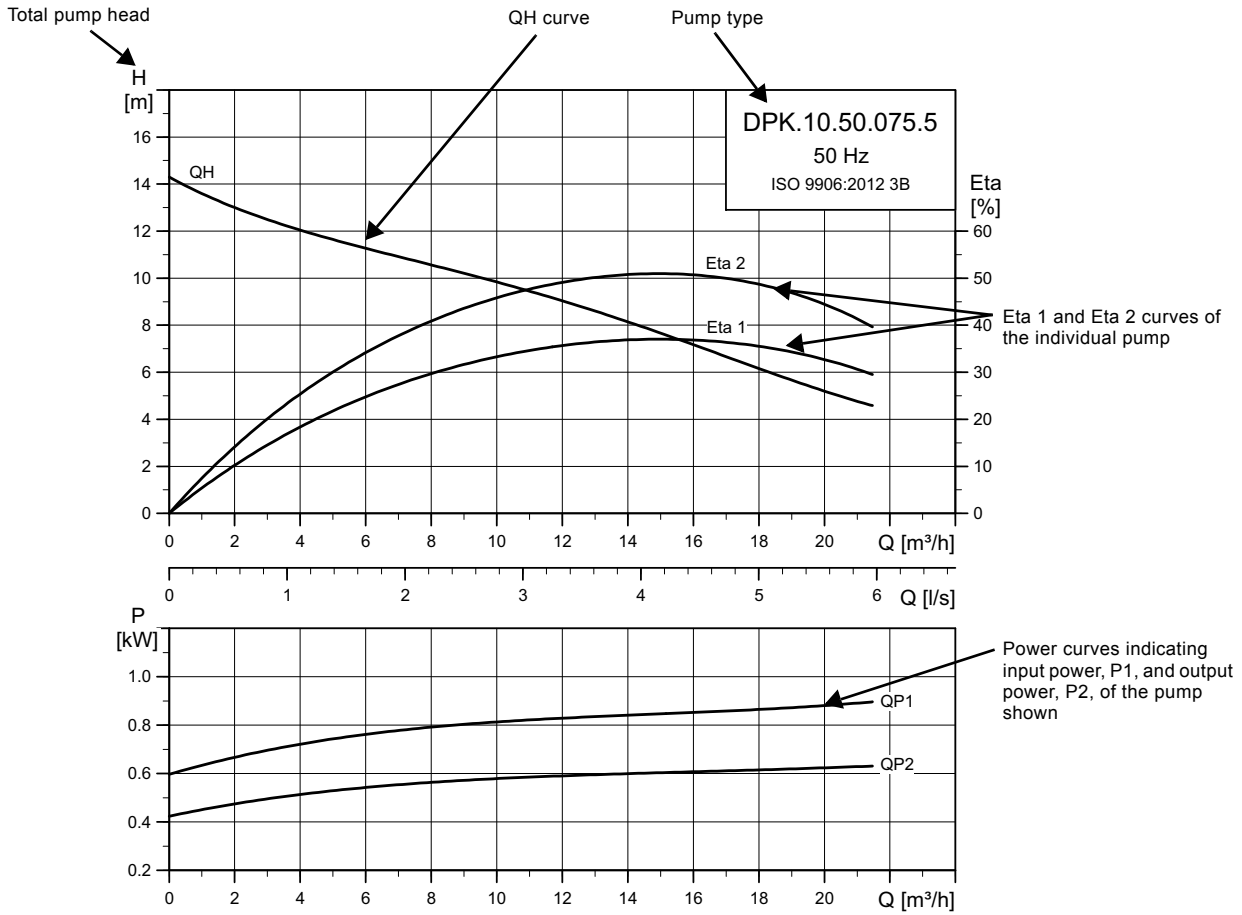


TM04 4097 0709

Fig. 50 Wiring diagram, star-delta starting

9. Curve charts and technical data

How to read the curve charts



TM04 2875 4514

Curve conditions

The guidelines below apply to the curves shown in the performance charts on pages 60 to 133.

- Tolerances according to ISO 9906:2012, grade 3B.
- The curves show pump performance with different impeller diameters at the rated speed.
- The curves apply to the pumping of airless water at a temperature of 20 °C and a kinematic viscosity of 1 mm²/s (1 cSt).
- Eta: The lines show the hydraulic efficiency values, that is Eta 1 is the total efficiency of the pump (motor) and Eta 2 is the hydraulic efficiency of the pump.
- In the case of other densities than 1000 kg/m³, the outlet pressure is proportional to the density.
- When pumping liquids with a density higher than 1000 kg/m³, motors with correspondingly higher outputs must be used.

Calculation of total head

The total pump head consists of the height difference between the measuring points + differential head + dynamic head.

$$H_{\text{total}} = H_{\text{geo}} + H_{\text{stat}} + H_{\text{dyn}}$$

H_{geo} : Height difference between measuring points.

H_{stat} : Differential head between the inlet and outlet sides of the pump.

H_{dyn} : Calculated values based on the velocity of the pumped liquid on the inlet and outlet sides of the pump.

Performance tests

The requested duty point for every pump is tested according to ISO 9906:2012, grade 3B, and without certification.

If pumps are ordered on the basis of impeller diameter only, i.e. no requested duty point, the pump will be tested at a duty point according to ISO 9906:2012, grade 3B.

If you require either more points on the curve to be checked, certain minimum performances or certificates, individual measurements must be made, and you can order a certificate.

Certificates

Certificates have to be confirmed for every order and are available on request as follows:

- certificate of compliance with the order, EN 10204-2.1
- pump test sheet.

Witness test

It is possible for the customer to witness the testing procedure according to ISO 9906:2012.

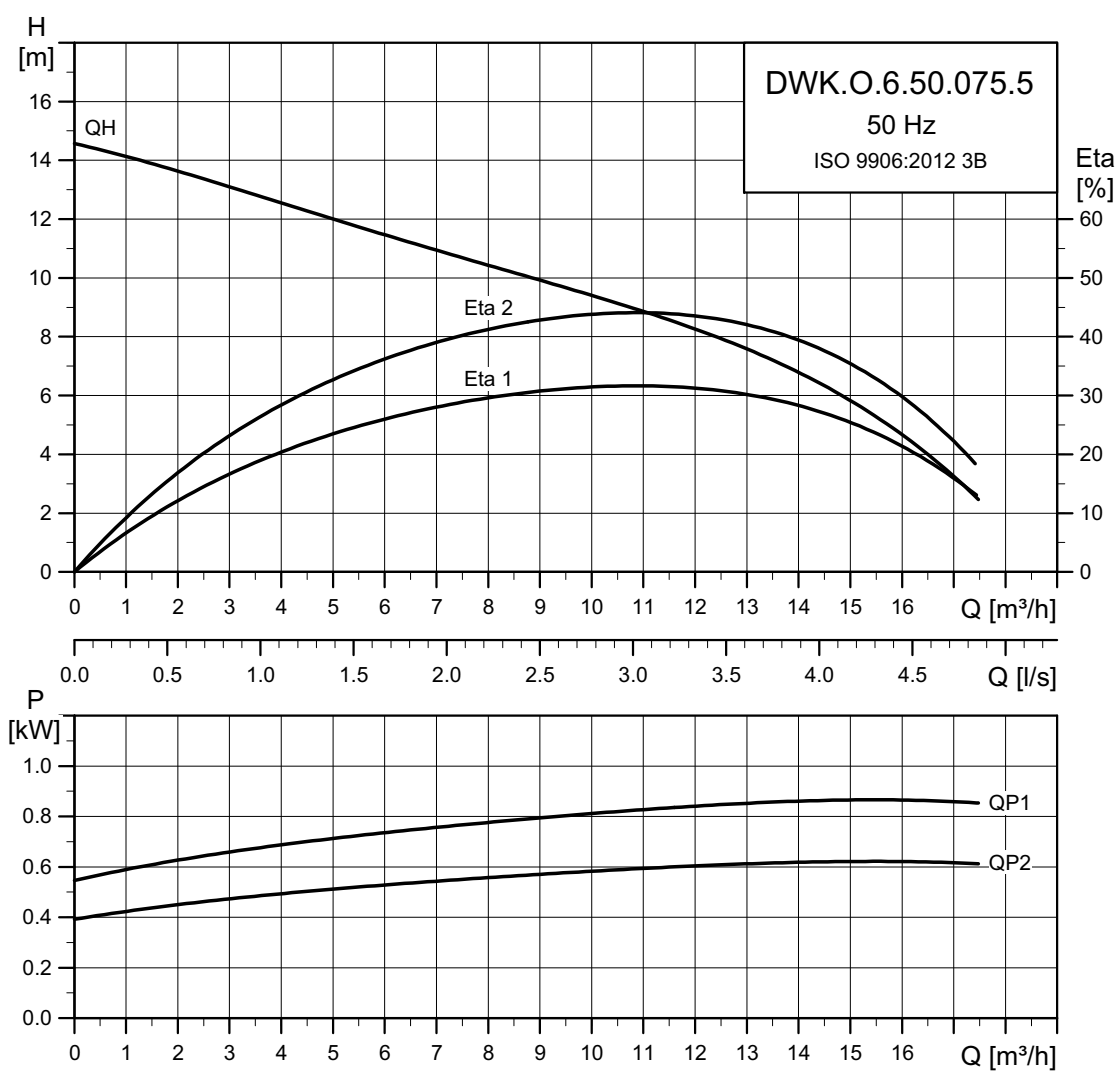
The witness test is not a certificate and will not result in a written statement from Grundfos. The witness is the only guarantee that everything is carried out as prescribed in the testing procedure.

If the customer wants to witness the test of pump performance, this request must be stated in the order.

10. Performance curves and technical data

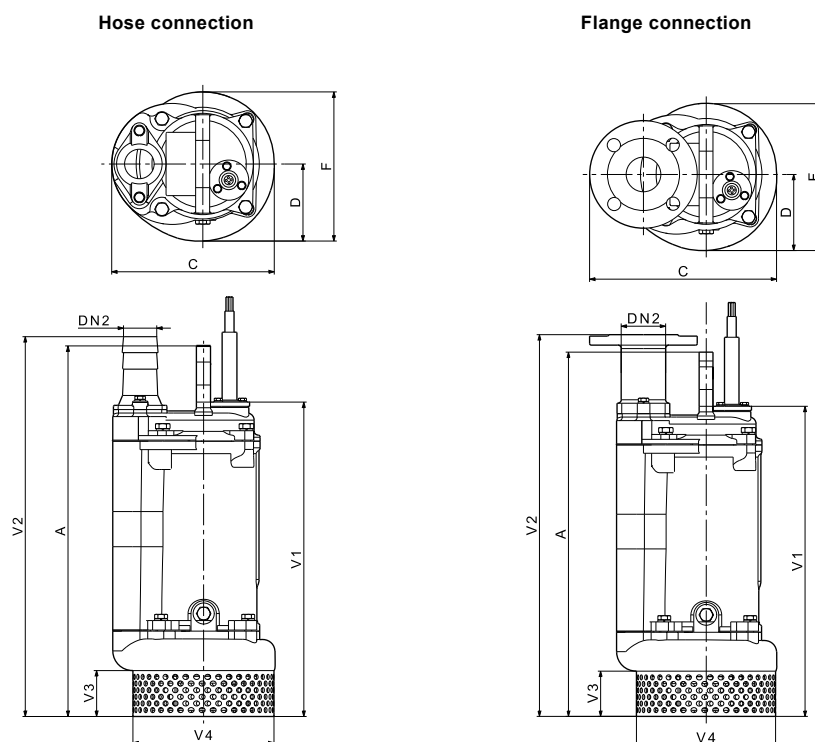
DWK.O

DWK.O.6.50.075.5



TM04 2918 4514

Dimensional sketches



TM04 4147 0909 - TM04 4149 0909

Dimensions

Pump type	Connection type	Dimensions [mm]									Weight* [kg]
		A	C	D	DN2	F	V1	V2	V3	V4	
DWK.O.6.50.075.5	Hose	438	235	110	50	215	398	462	65	202	39
	Flange	438	276	110	50	215	398	490	65	202	39

* With 10 m cable.

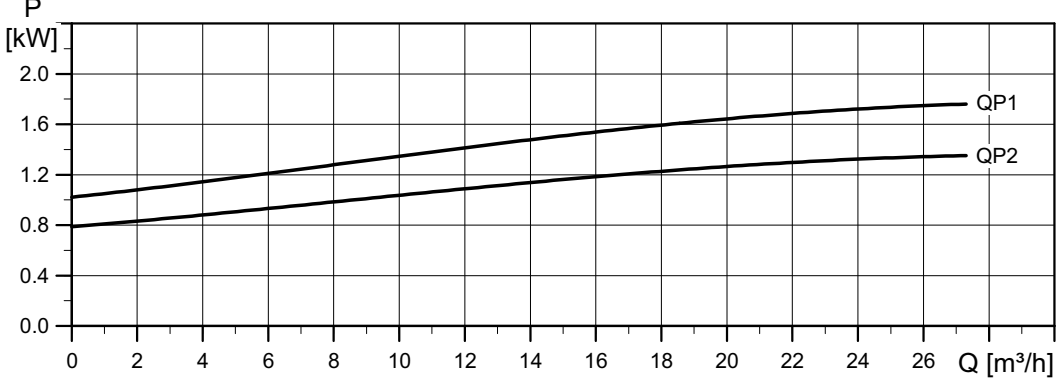
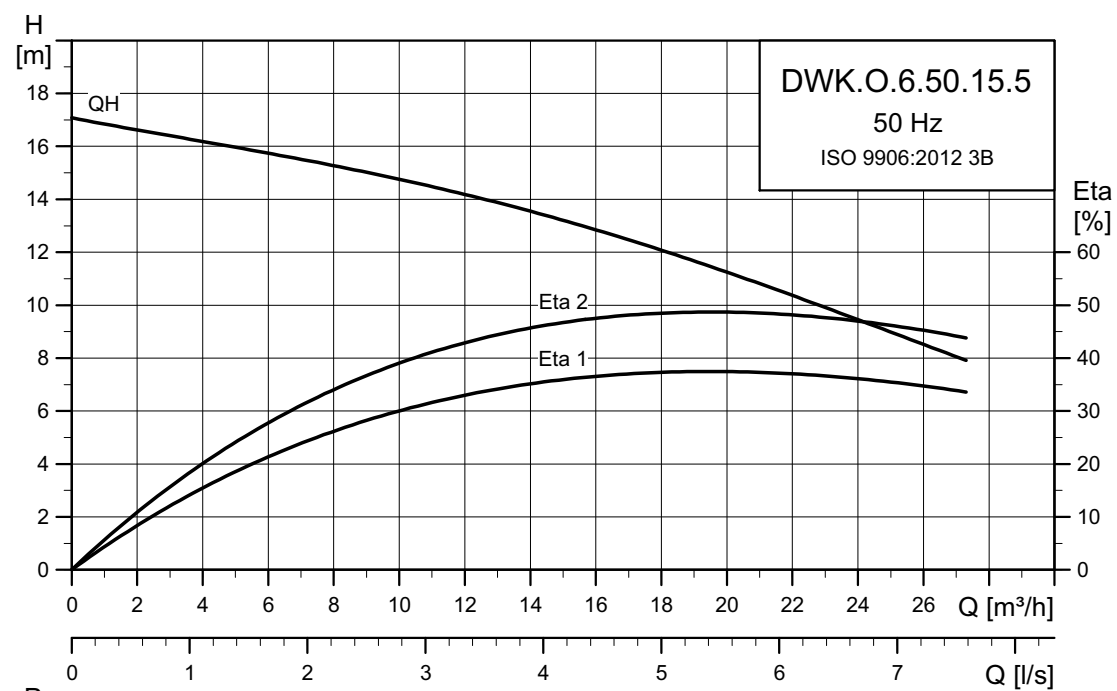
Electrical data

Pump type	Voltage [V]	P2 [kW]	min ⁻¹	Starting method	I _N [A]			η _{motor} [%]			Cos φ			Cable
					1/2	3/4	1/1	1/2	3/4	1/1	1/2	3/4	1/1	
DWK.O.6.50.075.5.0D	3 x 380-415 Y	0.75	2850	DOL	1.6	72.5	77.5	79.2	0.72	0.82	0.88	4 x 1.5 mm ² + 2 x 1 mm ²		
DWK.O.6.50.075.5.0E	3 x 220-240 D	0.75	2850	DOL	2.8	72.5	77.5	79.2	0.72	0.82	0.88	4 x 1.5 mm ² + 2 x 1 mm ²		
DWK.O.6.50.075.5.0D.R	3 x 380-415 Y	0.75	2850	DOL	1.6	72.5	77.5	79.2	0.72	0.82	0.88	4 x 1.5 mm ²		
DWK.O.6.50.075.5.0E.R	3 x 220-240 Y	0.75	2850	DOL	2.8	72.5	77.5	79.2	0.72	0.82	0.88	4 x 1.5 mm ²		

Pump data

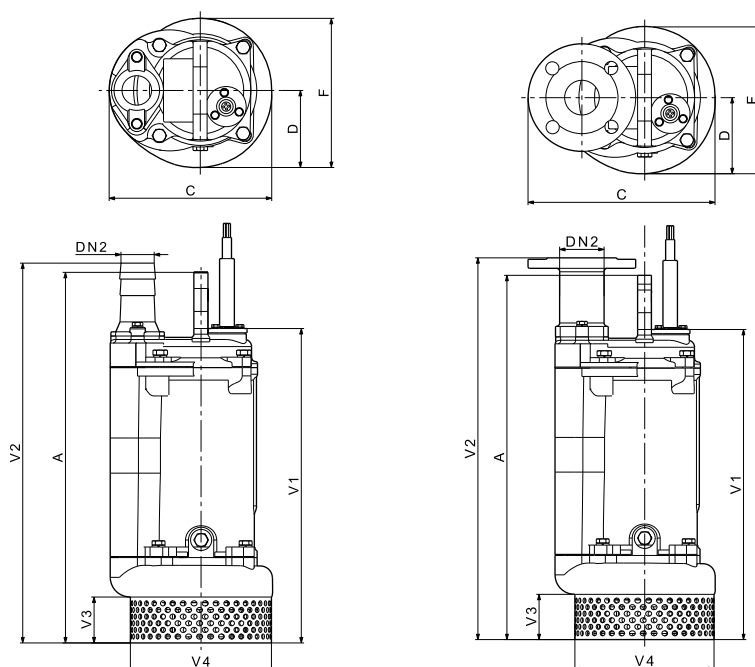
Pump type	Impeller type	Max. solids size [mm]	Max. number of starts per hour	Max. installation depth [m]	Enclosure class	Insulation class	Max. liquid temperature [°C]	pH
DWK.O.6.50.075.5	Semi-open	6	30	25	68	F	40	4-10

DWK.O.6.50.15.5



TM04 2919 4514

Dimensional sketches



TM04 4147 0909 - TM04 4149 0909

Dimensions

Pump type	Connection type	Dimensions [mm]								Weight* [kg]	
		A	C	D	DN2	F	V1	V2	V3		V4
DWK.O.6.50.15.5	Hose	468	235	110	50	215	428	492	65	202	41
	Flange	468	276	110	50	215	428	520	65	202	41

* With 10 m cable.

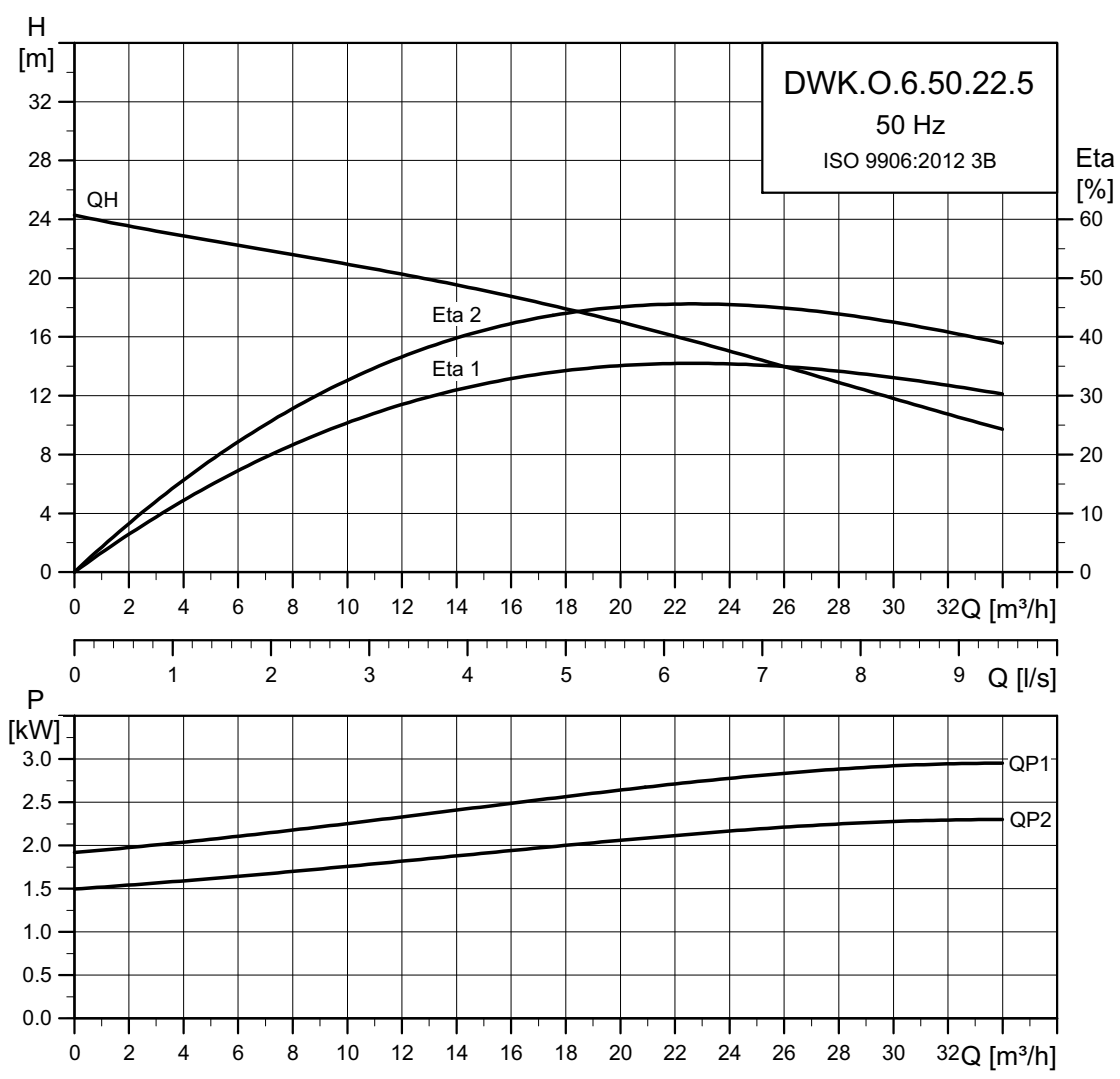
Electrical data

Pump type	Voltage [V]	P2 [kW]	min ⁻¹	Starting method	I _N [A]	η _{motor} [%]				Cos φ		Cable
						1/2	3/4	1/1	1/2	3/4	1/1	
DWK.O.6.50.15.5.0D	3 x 380-415 Y	1.5	2850	DOL	3.2	78.0	82.1	83.02	0.68	0.78	0.85	4 x 1.5 mm ² + 2 x 1 mm ²
DWK.O.6.50.15.5.0E	3 x 220-240 D	1.5	2850	DOL	5.6	78.0	82.1	83.02	0.68	0.78	0.85	4 x 1.5 mm ² + 2 x 1 mm ²
DWK.O.6.50.15.5.0D.R	3 x 380-415 Y	1.5	2850	DOL	3.2	78.0	82.1	83.02	0.68	0.78	0.85	4 x 1.5 mm ²
DWK.O.6.50.15.5.0E.R	3 x 220-240 Y	1.5	2850	DOL	5.6	78.0	82.1	83.02	0.68	0.78	0.85	4 x 1.5 mm ²

Pump data

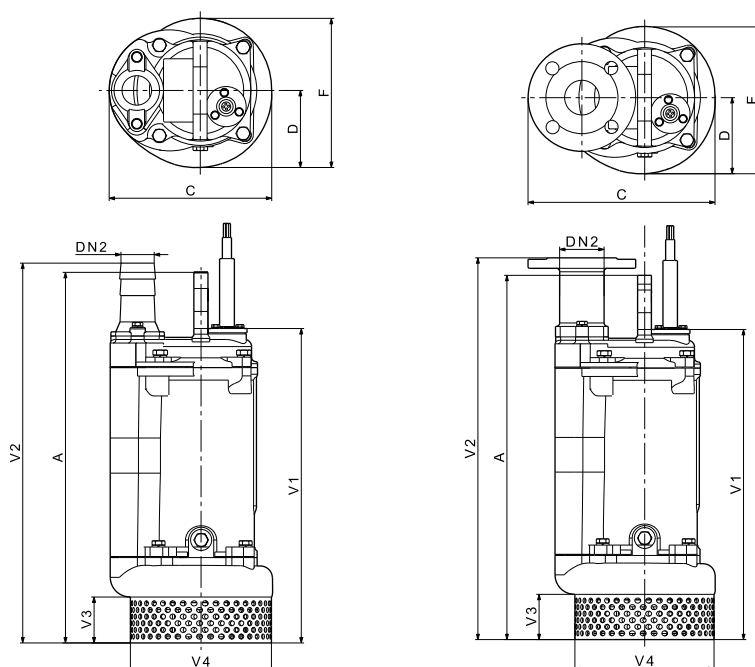
Pump type	Impeller type	Max. solids size [mm]	Max. number of starts per hour	Max. installation depth [m]	Enclosure class	Insulation class	Max. liquid temperature [°C]	pH
DWK.O.6.50.15.5	Semi-open	6	30	25	68	F	40	4-10

DWK.O.6.50.22.5



TM04 2920 4514

Dimensional sketches



TM04 4147 0909 - TM04 4149 0909

Dimensions

Pump type	Connection type	Dimensions [mm]								Weight* [kg]	
		A	C	D	DN2	F	V1	V2	V3		V4
DWK.O.6.50.22.5	Hose	488	235	110	50	215	448	512	65	202	45
	Flange	488	276	110	50	215	448	540	65	202	45

* With 10 m cable.

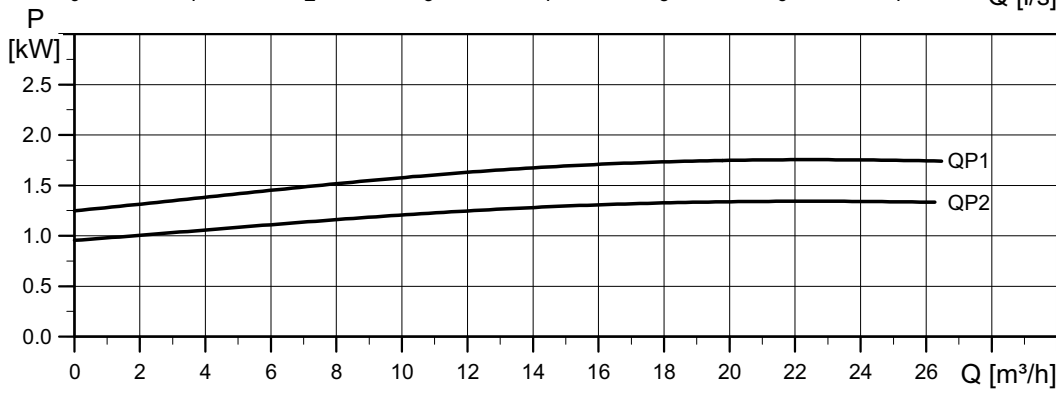
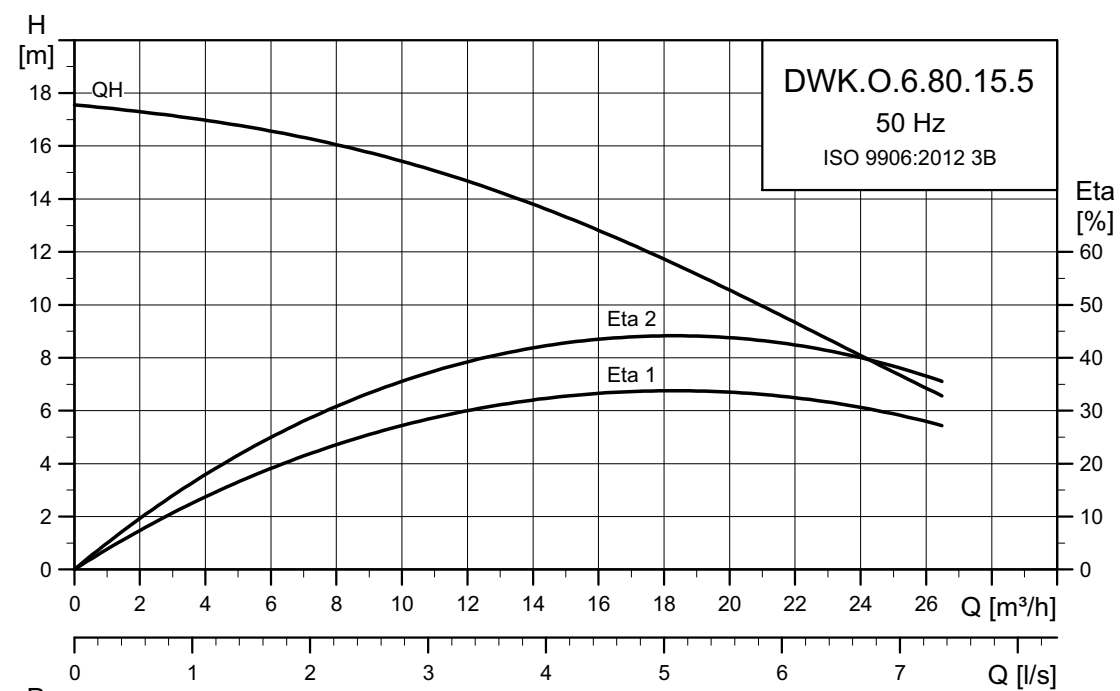
Electrical data

Pump type	Voltage [V]	P2 [kW]	min ⁻¹	Starting method	I _N [A]			η _{motor} [%]			Cos φ			Cable
					1/2	3/4	1/1	1/2	3/4	1/1	1/2	3/4	1/1	
DWK.O.6.50.22.5.0D	3 x 380-415 Y	2.2	2850	DOL	4.4	79.8	83.1	86.1	0.71	0.82	0.89	4 x 1.5 mm ² + 2 x 1 mm ²		
DWK.O.6.50.22.5.0E	3 x 220-240 D	2.2	2850	DOL	7.6	79.8	83.1	86.1	0.71	0.82	0.89	4 x 1.5 mm ² + 2 x 1 mm ²		
DWK.O.6.50.22.5.0D.R	3 x 380-415 Y	2.2	2850	DOL	4.4	79.8	83.1	86.1	0.71	0.82	0.89	4 x 1.5 mm ²		
DWK.O.6.50.22.5.0E.R	3 x 220-240 Y	2.2	2850	DOL	7.6	79.8	83.1	86.1	0.71	0.82	0.89	4 x 1.5 mm ²		

Pump data

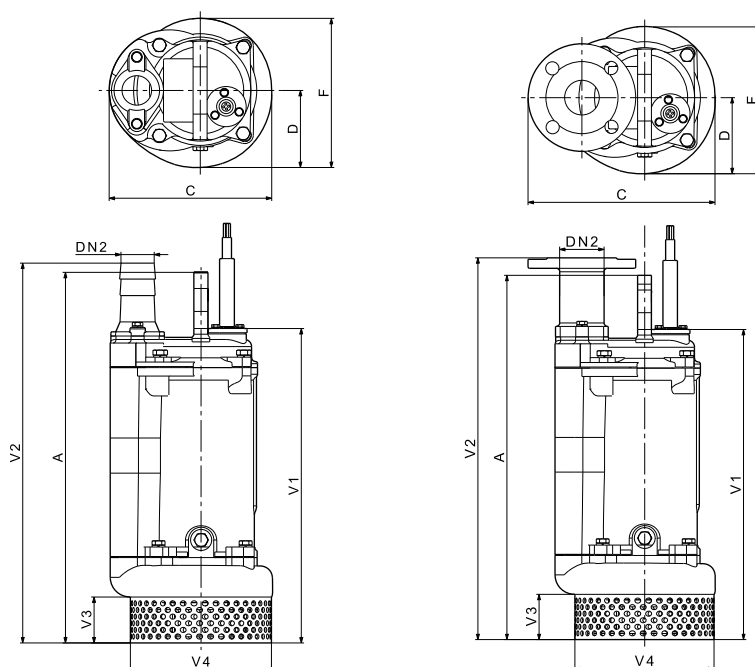
Pump type	Impeller type	Max. solids size [mm]	Max. number of starts per hour	Max. installation depth [m]	Enclosure class	Insulation class	Max. liquid temperature [°C]	pH
DWK.O.6.50.22.5	Semi-open	6	30	25	68	F	40	4-10

DWK.O.6.80.15.5



TM04 2921 4514

Dimensional sketches



TM04 4147 0909 - TM04 4149 0909

Dimensions

Pump type	Connection type	Dimensions [mm]								Weight* [kg]	
		A	C	D	DN2	F	V1	V2	V3		V4
DWK.O.6.80.15.5	Hose	468	235	110	80	215	428	560	65	202	41
	Flange	468	295	110	80	215	428	520	65	202	41

* With 10 m cable.

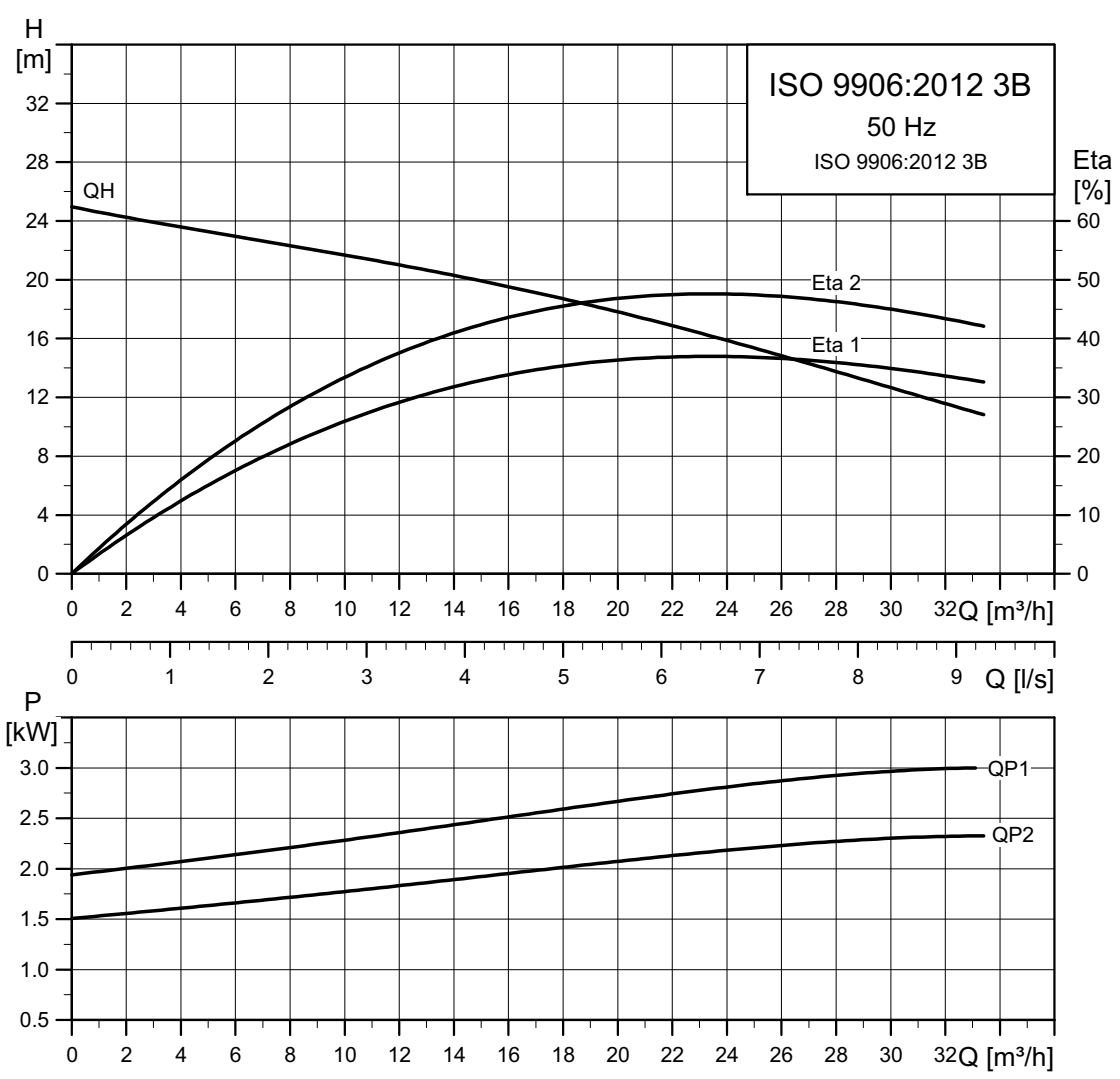
Electrical data

Pump type	Voltage [V]	P2 [kW]	min ⁻¹	Starting method	I _N [A]	η _{motor} [%]			Cos φ			Cable
						1/2	3/4	1/1	1/2	3/4	1/1	
DWK.O.6.80.15.5.0D	3 x 380-415 Y	1.5	2850	DOL	3.2	78.0	82.1	83.02	0.68	0.78	0.85	4 x 1.5 mm ² + 2 x 1 mm ²
DWK.O.6.80.15.5.0E	3 x 220-240 D	1.5	2850	DOL	5.6	78.0	82.1	83.02	0.68	0.78	0.85	4 x 1.5 mm ² + 2 x 1 mm ²
DWK.O.6.80.15.5.0D.R	3 x 380-415 Y	1.5	2850	DOL	3.2	78.0	82.1	83.02	0.68	0.78	0.85	4 x 1.5 mm ²
DWK.O.6.80.15.5.0E.R	3 x 220-240 Y	1.5	2850	DOL	5.6	78.0	82.1	83.02	0.68	0.78	0.85	4 x 1.5 mm ²

Pump data

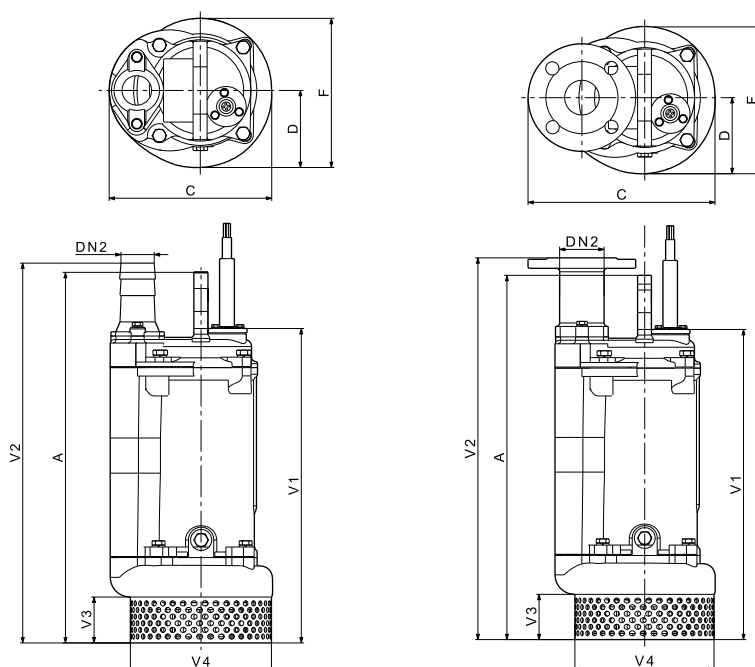
Pump type	Impeller type	Max. solids size [mm]	Max. number of starts per hour	Max. installation depth [m]	Enclosure class	Insulation class	Max. liquid temperature [°C]	pH
DWK.O.6.80.15.5	Semi-open	6	30	25	68	F	40	4-10

DWK.O.6.80.22.5



TM04 2922 4514

Dimensional sketches



TM04 4147 0909 - TM04 4149 0909

Dimensions

Pump type	Connection type	Dimensions [mm]								Weight* [kg]	
		A	C	D	DN2	F	V1	V2	V3		V4
DWK.O.6.80.22.5	Hose	488	235	110	80	215	448	580	65	202	45
	Flange	488	276	110	80	215	448	540	65	202	45

* With 10 m cable.

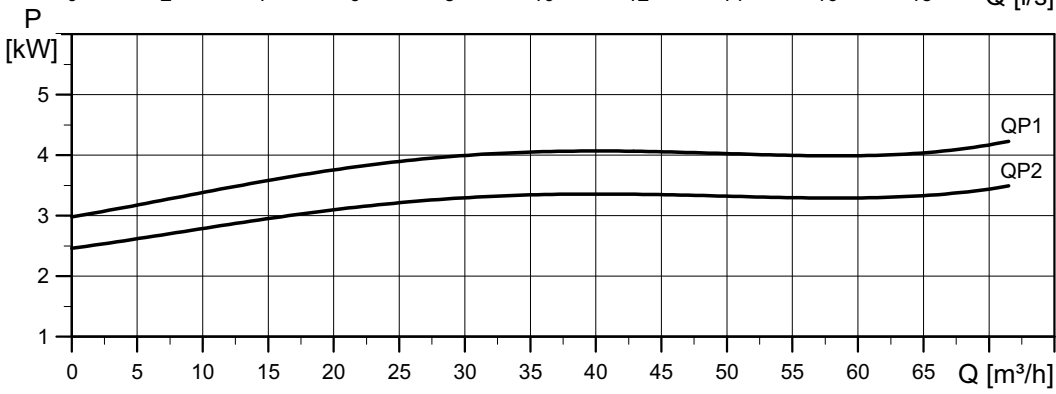
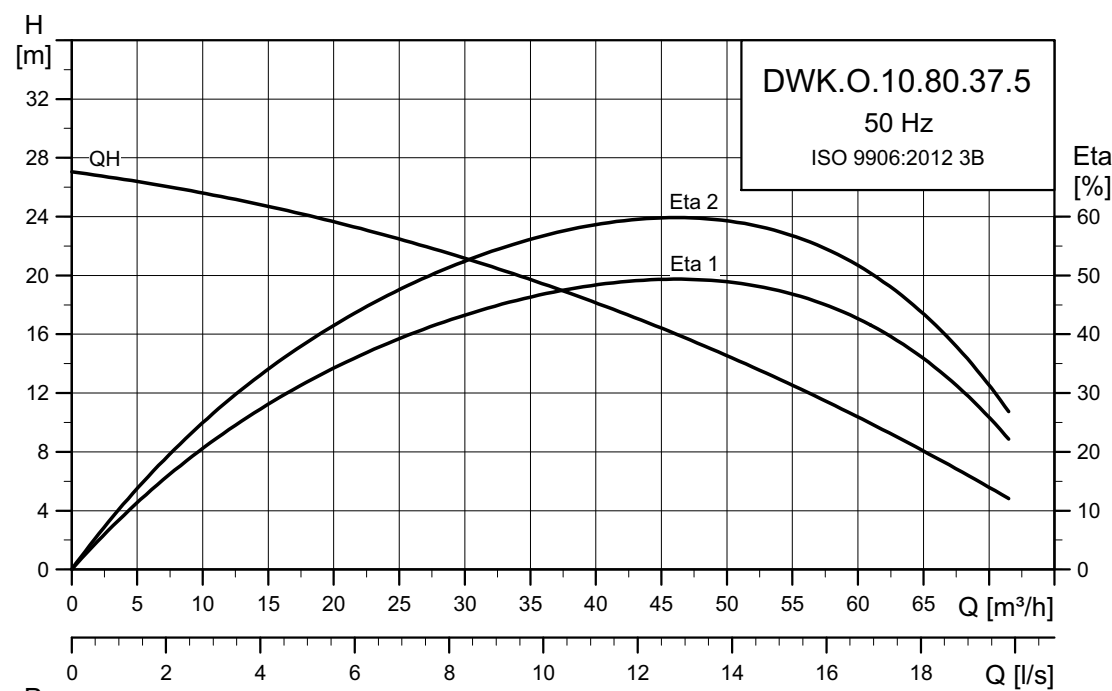
Electrical data

Pump type	Voltage [V]	P2 [kW]	min ⁻¹	Starting method	I _N [A]	η _{motor} [%]			Cos φ			Cable
						1/2	3/4	1/1	1/2	3/4	1/1	
DWK.O.6.80.22.5.0D	3 x 380-415 Y	2.2	2850	DOL	4.4	79.8	83.1	86.1	0.71	0.82	0.89	4 x 1.5 mm ² + 2 x 1 mm ²
DWK.O.6.80.22.5.0E	3 x 220-240 D	2.2	2850	DOL	7.6	79.8	83.1	86.1	0.71	0.82	0.89	4 x 1.5 mm ² + 2 x 1 mm ²
DWK.O.6.80.22.5.0D.R	3 x 380-415 Y	2.2	2850	DOL	4.4	79.8	83.1	86.1	0.71	0.82	0.89	4 x 1.5 mm ²
DWK.O.6.80.22.5.0E.R	3 x 220-240 Y	2.2	2850	DOL	7.6	79.8	83.1	86.1	0.71	0.82	0.89	4 x 1.5 mm ²

Pump data

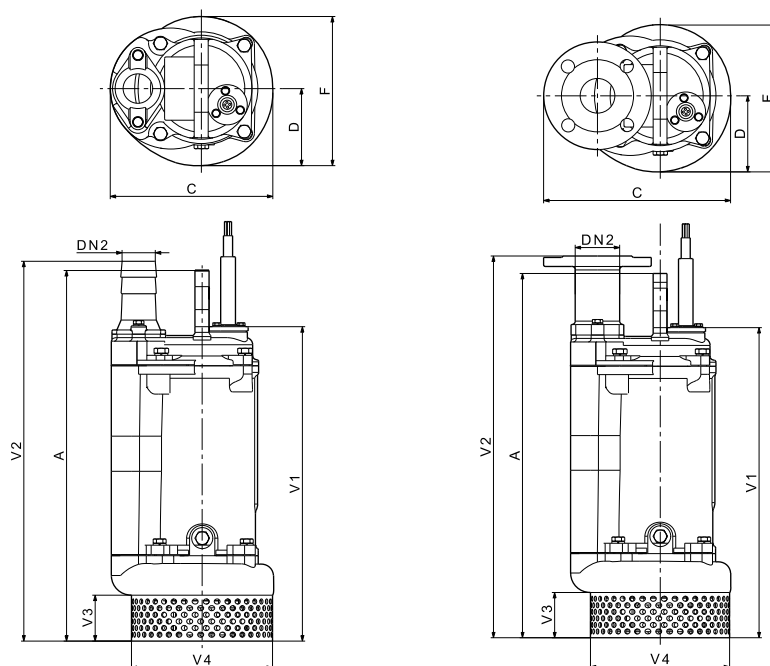
Pump type	Impeller type	Max. solids size [mm]	Max. number of starts per hour	Max. installation depth [m]	Enclosure class	Insulation class	Max. liquid temperature [°C]	pH
DWK.O.6.80.22.5	Semi-open	6	30	25	68	F	40	4-10

DWK.O.10.80.37.5



TM04 2923 4514

Dimensional sketches



TM04 4147 0909 - TM04 4149 0909

Dimensions

Pump type	Connection type	Dimensions [mm]								Weight* [kg]	
		A	C	D	DN2	F	V1	V2	V3		V4
DWK.O.10.80.37.5	Hose	697	286	134	80	253	591	691	90	234	81
	Flange	697	321	134	80	253	591	731	90	234	81

* With 10 m cable.

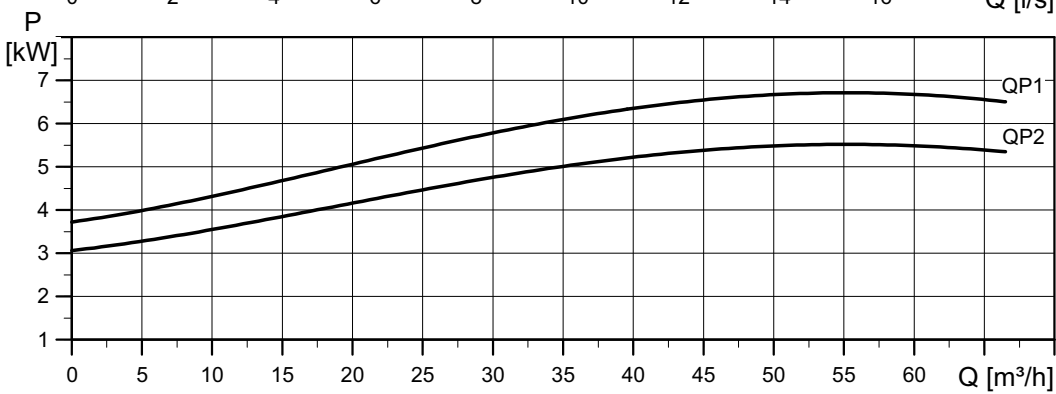
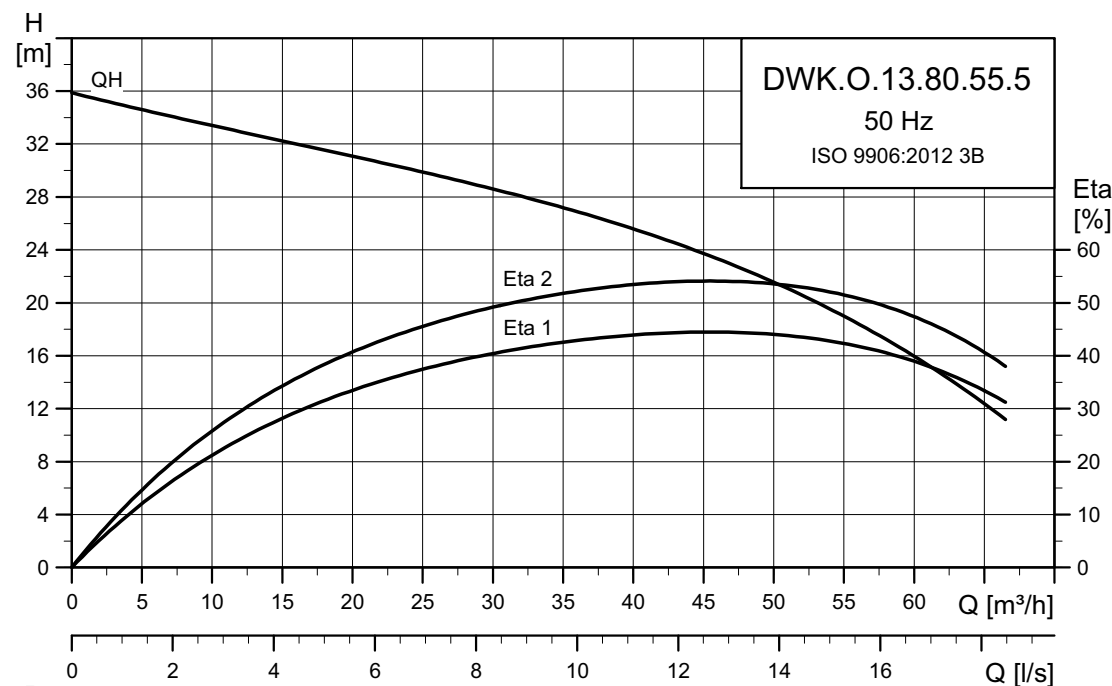
Electrical data

Pump type	Voltage [V]	P2 [kW]	min ⁻¹	Starting method	I _N [A]			η _{motor} [%]			Cos φ			Cable
					1/2	3/4	1/1	1/2	3/4	1/1	1/2	3/4	1/1	
DWK.O.10.80.37.5.0D	3 x 380-415 Y	3.7	2850	DOL	7.6	85.6	85.5	84.5	0.85	0.90	0.91	4 x 1.5 mm ² + 2 x 1 mm ²		
DWK.O.10.80.37.5.0E	3 x 220-240 D	3.7	2850	DOL	12.5	85.6	85.5	84.5	0.85	0.90	0.91	4 x 2.5 mm ² + 4 x 1 mm ²		
DWK.O.10.80.37.5.0D.R	3 x 380-415 Y	3.7	2850	DOL	7.6	85.6	85.5	84.5	0.85	0.90	0.91	4 x 1.5 mm ²		
DWK.O.10.80.37.5.0E.R	3 x 220-240 D	3.7	2850	DOL	12.5	85.6	85.5	84.5	0.85	0.90	0.91	4 x 2.5 mm ² + 4 x 1 mm ²		

Pump data

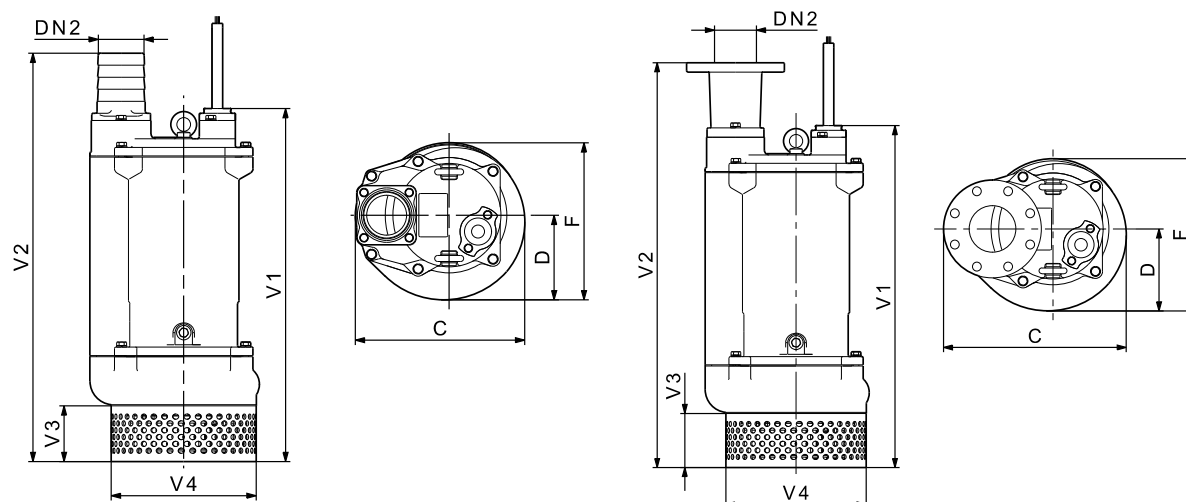
Pump type	Impeller type	Max. solids size [mm]	Max. number of starts per hour	Max. installation depth [m]	Enclosure class	Insulation class	Max. liquid temperature [°C]	pH
DWK.O.10.80.37.5	Semi-open	10	30	25	68	F	40	4-10

DWK.O.13.80.55.5



TM04 2924 4514

Dimensional sketches



TM04 6998 1610 - TM04 6999 1610

Dimensions

Pump type	Connection type	Dimensions [mm]								Weight* [kg]
		C	D	DN2	F	V1	V2	V3	V4	
DWK.O.13.80.55.5	Hose	358	179	80	333	734	832	116	302	110
	Flange	390	179	80	333	734	872	116	302	110

* With 10 m cable.

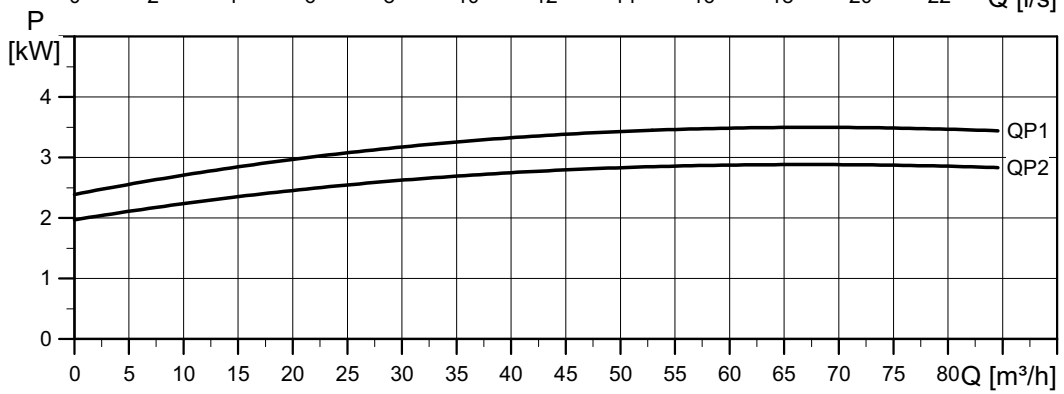
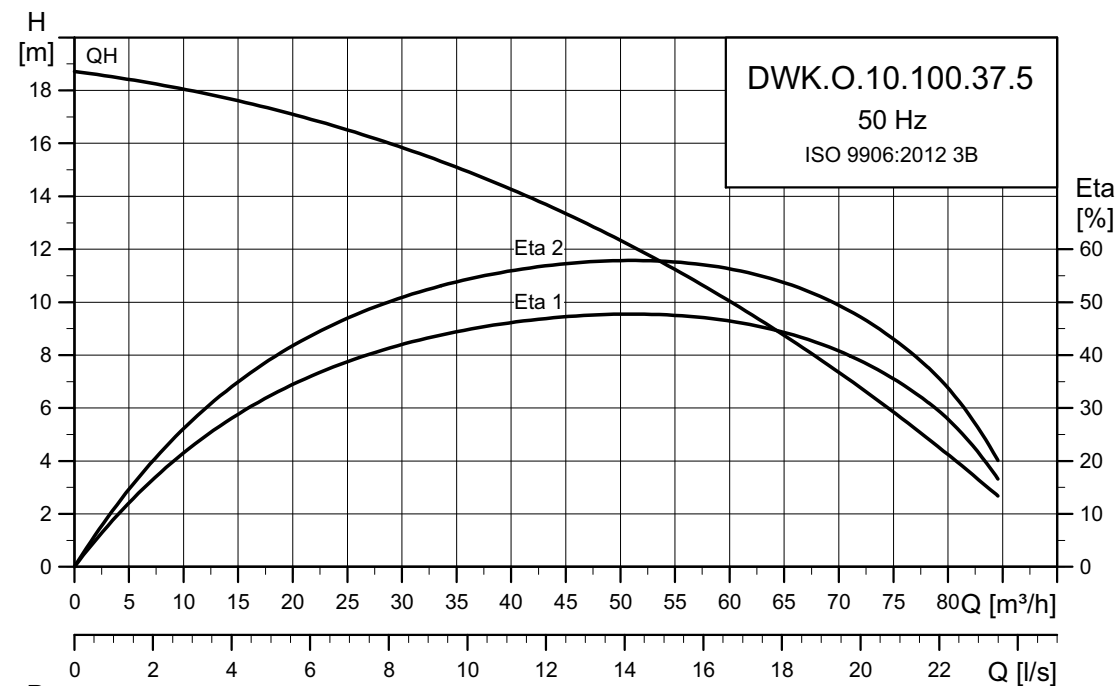
Electrical data

Pump type	Voltage [V]	P2 [kW]	min ⁻¹	Starting method	I _N [A]	η _{motor} [%]			Cos φ			Cable
						1/2	3/4	1/1	1/2	3/4	1/1	
DWK.O.13.80.55.5.0D	3 x 380-415 Y	5.5	2850	DOL	10.5	88.2	88.8	88.2	0.82	0.88	0.91	4 x 2.5 mm ² + 4 x 1 mm ²
DWK.O.13.80.55.5.0E	3 x 220-240 D	5.5	2850	DOL	18.0	88.2	88.8	88.2	0.82	0.88	0.91	4 x 4.0 mm ² + 4 x 1 mm ²
DWK.O.13.80.55.5.0D.R	3 x 380-415 Y	5.5	2850	DOL	10.5	88.2	88.8	88.2	0.82	0.88	0.91	4 x 2.5 mm ² + 4 x 1 mm ²
DWK.O.13.80.55.5.0E.R	3 x 220-240 D	5.5	2850	DOL	18.0	88.2	88.8	88.2	0.82	0.88	0.91	4 x 4.0 mm ² + 4 x 1 mm ²
DWK.O.13.80.55.5.1D	3 x 380-415 D	5.5	2850	Y/D	10.5	88.2	88.8	88.2	0.82	0.88	0.91	7 x 4.0 mm ² + 4 x 1 mm ²
DWK.O.13.80.55.5.1E	3 x 220-240 D	5.5	2850	Y/D	18.0	88.2	88.8	88.2	0.82	0.88	0.91	7 x 4.0 mm ² + 4 x 1 mm ²
DWK.O.13.80.55.5.1D.R	3 x 380-415 D	5.5	2850	Y/D	10.5	88.2	88.8	88.2	0.82	0.88	0.91	7 x 4.0 mm ² + 4 x 1 mm ²
DWK.O.13.80.55.5.1E.R	3 x 220-240 D	5.5	2850	Y/D	18.0	88.2	88.8	88.2	0.82	0.88	0.91	7 x 4.0 mm ² + 4 x 1 mm ²

Pump data

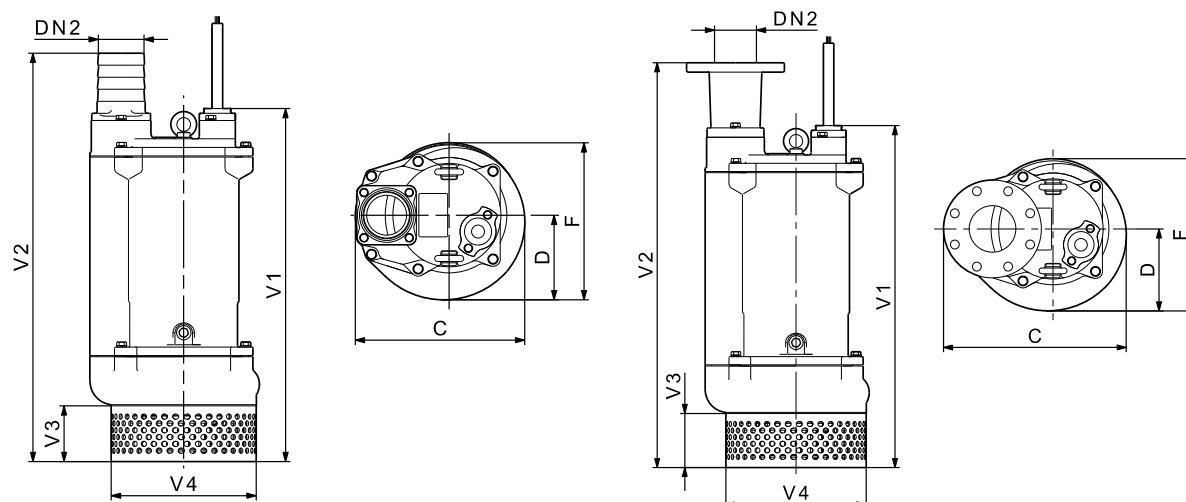
Pump type	Impeller type	Max. solids size [mm]	Max. number of starts per hour	Max. installation depth [m]	Enclosure class	Insulation class	Max. liquid temperature [°C]	pH
DWK.O.13.80.55.5	Semi-open	13	30	25	68	F	40	4-10

DWK.O.10.100.37.5



TM04 2925 4514

Dimensional sketches



TM04 6998 1610 - TM04 6999 1610

Dimensions

Pump type	Connection type	Dimensions [mm]								Weight* [kg]
		C	D	DN2	F	V1	V2	V3	V4	
DWK.O.10.100.37.5	Hose	286	134	80	253	591	691	90	234	81
	Flange	321	134	80	253	591	731	90	234	81

* With 10 m cable.

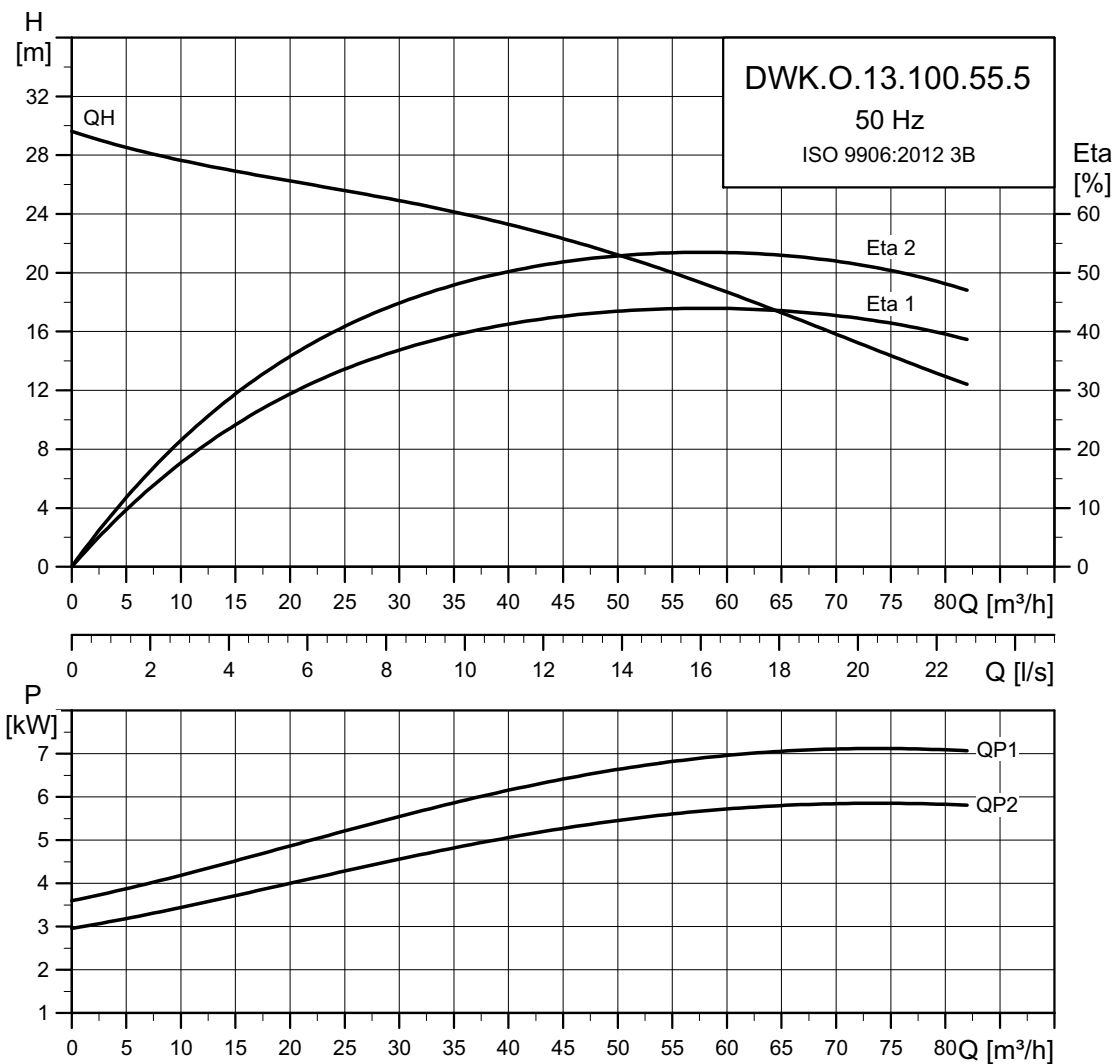
Electrical data

Pump type	Voltage [V]	P2 [kW]	min ⁻¹	Starting method	I _N [A]	η _{motor} [%]				Cos φ			Cable
						1/2	3/4	1/1	1/2	3/4	1/1		
DWK.O.10.100.37.5.0D	3 x 380-415 Y	3.7	2850	DOL	7.6	85.6	85.5	84.5	0.85	0.90	0.91	4 x 1.5 mm ² + 2 x 1 mm ²	
DWK.O.10.100.37.5.0E	3 x 220-240 D	3.7	2850	DOL	12.5	85.6	85.5	84.5	0.85	0.90	0.91	4 x 2.5 mm ² + 4 x 1 mm ²	
DWK.O.10.100.37.5.0D.R	3 x 380-415 Y	3.7	2850	DOL	7.6	85.6	85.5	84.5	0.85	0.90	0.91	4 x 1.5 mm ²	
DWK.O.10.100.37.5.0E.R	3 x 220-240 D	3.7	2850	DOL	12.5	85.6	85.5	84.5	0.85	0.90	0.91	4 x 2.5 mm ² + 4 x 1 mm ²	

Pump data

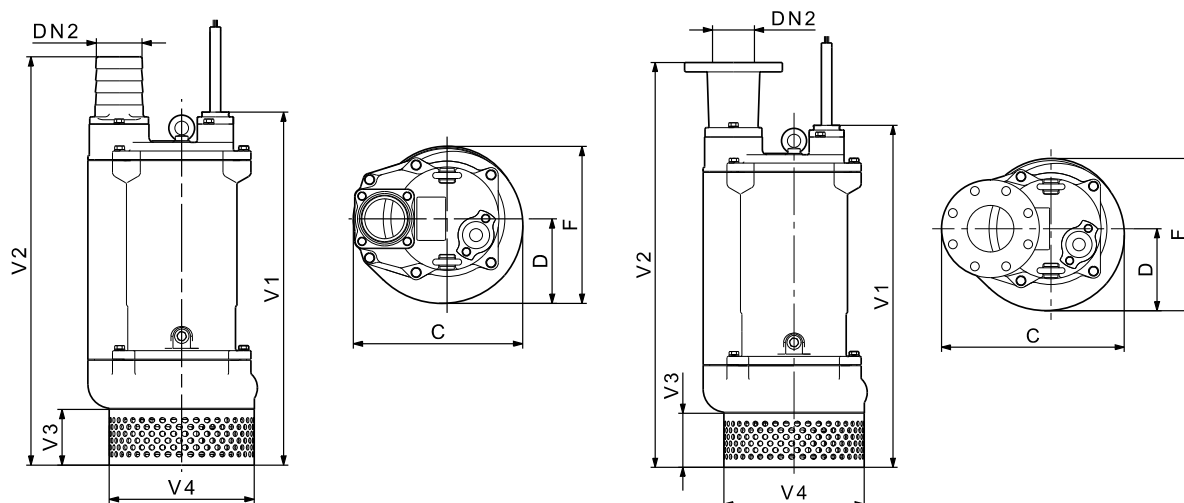
Pump type	Impeller type	Max. solids size [mm]	Max. number of starts per hour	Max. installation depth [m]	Enclosure class	Insulation class	Max. liquid temperature [°C]	pH
DWK.O.10.100.37	Semi-open	10	30	25	68	F	40	4-10

DWK.O.13.100.55.5



TM04 2926 4514

Dimensional sketches



TM04 6998 1610 - TM04 6999 1610

Dimensions

Pump type	Connection type	Dimensions [mm]								Weight* [kg]
		C	D	DN2	F	V1	V2	V3	V4	
DWK.O.13.100.55.5	Hose	358	179	100	333	734	852	116	302	110
	Flange	409	179	100	333	734	872	116	302	110

* With 10 m cable.

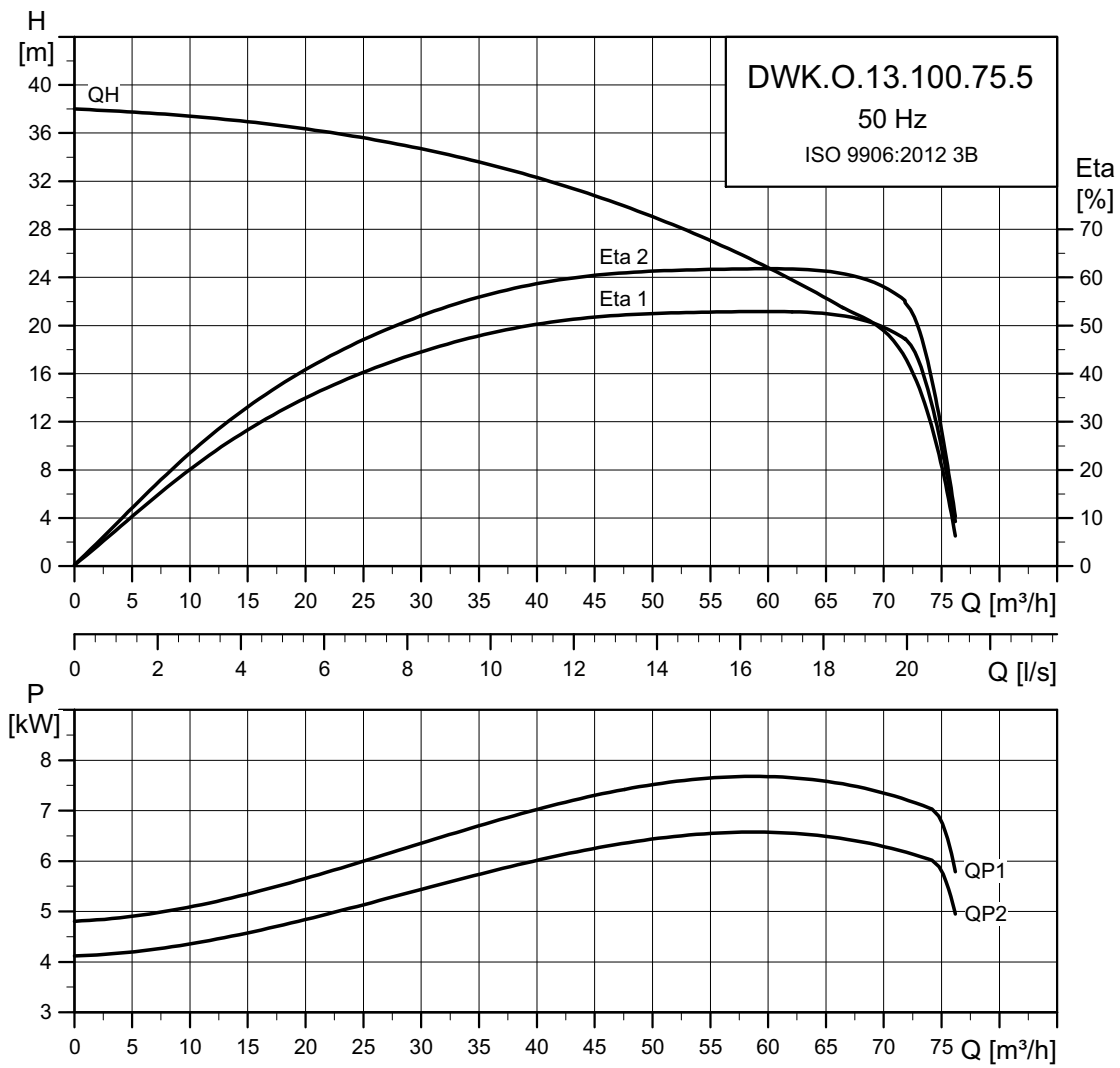
Electrical data

Pump type	Voltage [V]	P2 [kW]	min ⁻¹	Starting method	I _N [A]	η _{motor} [%]			Cos φ			Cable
						1/2	3/4	1/1	1/2	3/4	1/1	
DWK.O.13.100.55.5.0D	3 x 380-415 Y	5.5	2850	DOL	14.1	88.2	88.8	88.2	0.82	0.88	0.91	4 x 2.5 mm ² + 4 x 1 mm ²
DWK.O.13.100.55.5.0E	3 x 220-240 D	5.5	2850	DOL	24.3	88.2	88.8	88.2	0.82	0.88	0.91	4 x 4.0 mm ² + 4 x 1 mm ²
DWK.O.13.100.55.5.0D.R	3 x 380-415 Y	5.5	2850	DOL	14.1	88.2	88.8	88.2	0.82	0.88	0.91	4 x 2.5 mm ² + 4 x 1 mm ²
DWK.O.13.100.55.5.0E.R	3 x 220-240 D	5.5	2850	DOL	24.3	88.2	88.8	88.2	0.82	0.88	0.91	4 x 4.0 mm ² + 4 x 1 mm ²
DWK.O.13.100.55.5.1D	3 x 380-415 D	5.5	2850	Y/D	14.1	88.2	88.8	88.2	0.82	0.88	0.91	7 x 4.0 mm ² + 4 x 1 mm ²
DWK.O.13.100.55.5.1E	3 x 220-240 D	5.5	2850	Y/D	24.3	88.2	88.8	88.2	0.82	0.88	0.91	7 x 4.0 mm ² + 4 x 1 mm ²
DWK.O.13.100.55.5.1D.R	3 x 380-415 D	5.5	2850	Y/D	14.1	88.2	88.8	88.2	0.82	0.88	0.91	7 x 4.0 mm ² + 4 x 1 mm ²
DWK.O.13.100.55.5.1E.R	3 x 220-240 D	5.5	2850	Y/D	24.3	88.2	88.8	88.2	0.82	0.88	0.91	7 x 4.0 mm ² + 4 x 1 mm ²

Pump data

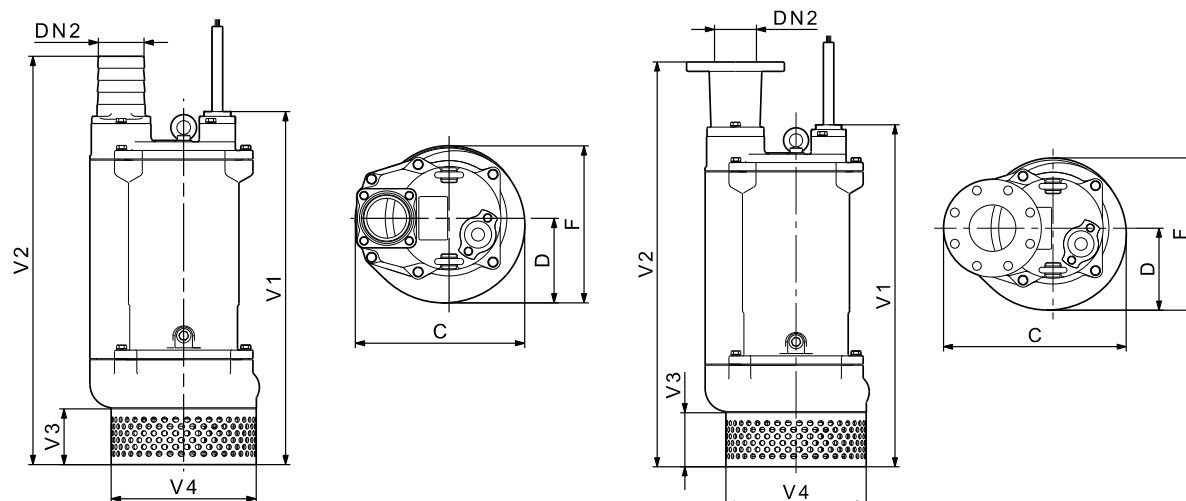
Pump type	Impeller type	Max. solids size [mm]	Max. number of starts per hour	Max. installation depth [m]	Enclosure class	Insulation class	Max. liquid temperature [°C]	pH
DWK.O.13.100.55	Semi-open	13	30	25	68	F	40	4-10

DWK.O13.100.75.5



TM04 2927 4514

Dimensional sketches



TM04 6998 1610 - TM04 6999 1610

Dimensions

Pump type	Connection type	Dimensions [mm]								Weight* [kg]
		C	D	DN2	F	V1	V2	V3	V4	
DWK.O.13.100.75.5	Hose	358	179	100	333	734	852	116	302	156
	Flange	409	179	100	333	734	872	116	302	156

* With 10 m cable.

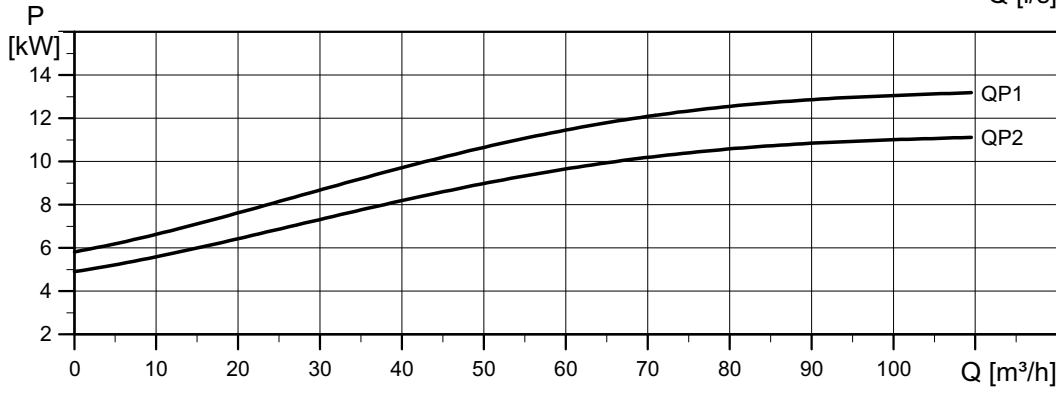
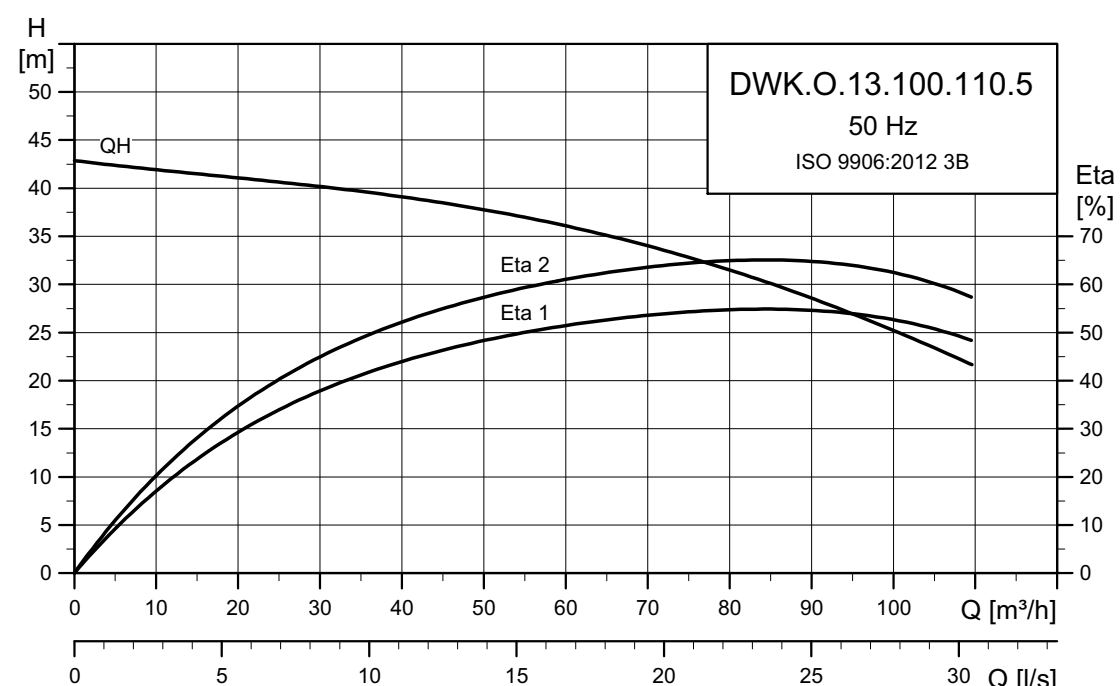
Electrical data

Pump type	Voltage [V]	P2 [kW]	min ⁻¹	Starting method	I _N [A]	η _{motor} [%]			Cos φ			Cable
						1/2	3/4	1/1	1/2	3/4	1/1	
DWK.O.13.100.75.5.0D	3 x 380-415 Y	7.5	2850	DOL	14.1	88.9	59.2	88.3	0.86	0.905	0.92	4 x 4.0 mm ² + 4 x 1 mm ²
DWK.O.13.100.75.5.0E	3 x 220-240 D	7.5	2850	DOL	24.3	88.9	59.2	88.3	0.86	0.905	0.92	4 x 6.0 mm ² + 4 x 1 mm ²
DWK.O.13.100.75.5.0D.R	3 x 380-415 Y	7.5	2850	DOL	14.1	88.9	59.2	88.3	0.86	0.905	0.92	4 x 4.0 mm ² + 4 x 1 mm ²
DWK.O.13.100.75.5.0E.R	3 x 220-240 D	7.5	2850	DOL	24.3	88.9	59.2	88.3	0.86	0.905	0.92	4 x 6.0 mm ² + 4 x 1 mm ²
DWK.O.13.100.75.5.1D	3 x 380-415 D	7.5	2850	Y/D	14.1	88.9	59.2	88.3	0.86	0.905	0.92	7 x 4.0 mm ² + 4 x 1 mm ²
DWK.O.13.100.75.5.1E	3 x 220-240 D	7.5	2850	Y/D	24.3	88.9	59.2	88.3	0.86	0.905	0.92	7 x 4.0 mm ² + 4 x 1 mm ²
DWK.O.13.100.75.5.1D.R	3 x 380-415 D	7.5	2850	Y/D	14.1	88.9	59.2	88.3	0.86	0.905	0.92	7 x 4.0 mm ² + 4 x 1 mm ²
DWK.O.13.100.75.5.1E.R	3 x 220-240 D	7.5	2850	Y/D	24.3	88.9	59.2	88.3	0.86	0.905	0.92	7 x 4.0 mm ² + 4 x 1 mm ²

Pump data

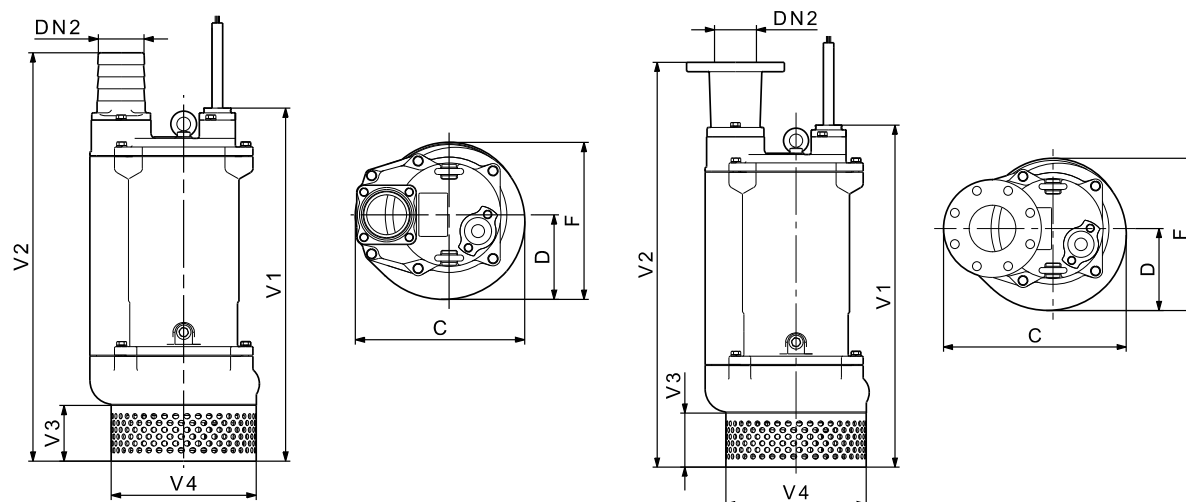
Pump type	Impeller type	Max. solids size [mm]	Max. number of starts per hour	Max. installation depth [m]	Enclosure class	Insulation class	Max. liquid temperature [°C]	pH
DWK.O.13.100.75	Semi-open	13	30	25	68	F	40	4-10

DWK.O.13.100.110.5



TM04 2928 4514

Dimensional sketches



TM04 6998 1610 - TM04 6999 1610

Dimensions

Pump type	Connection type	Dimensions [mm]								Weight* [kg]
		C	D	DN2	F	V1	V2	V3	V4	
DWK.O.13.100.110.5	Hose	358	179	100	333	779	897	116	302	190
	Flange	431	179	100	333	779	917	116	302	190

* With 10 m cable.

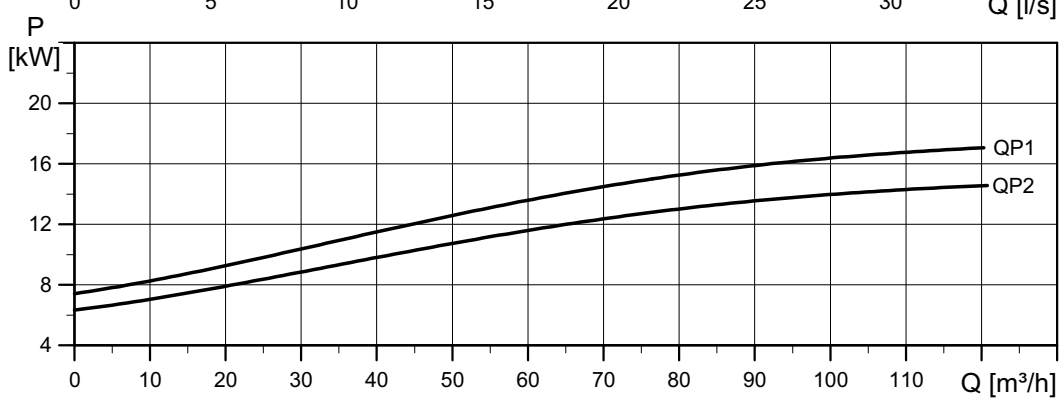
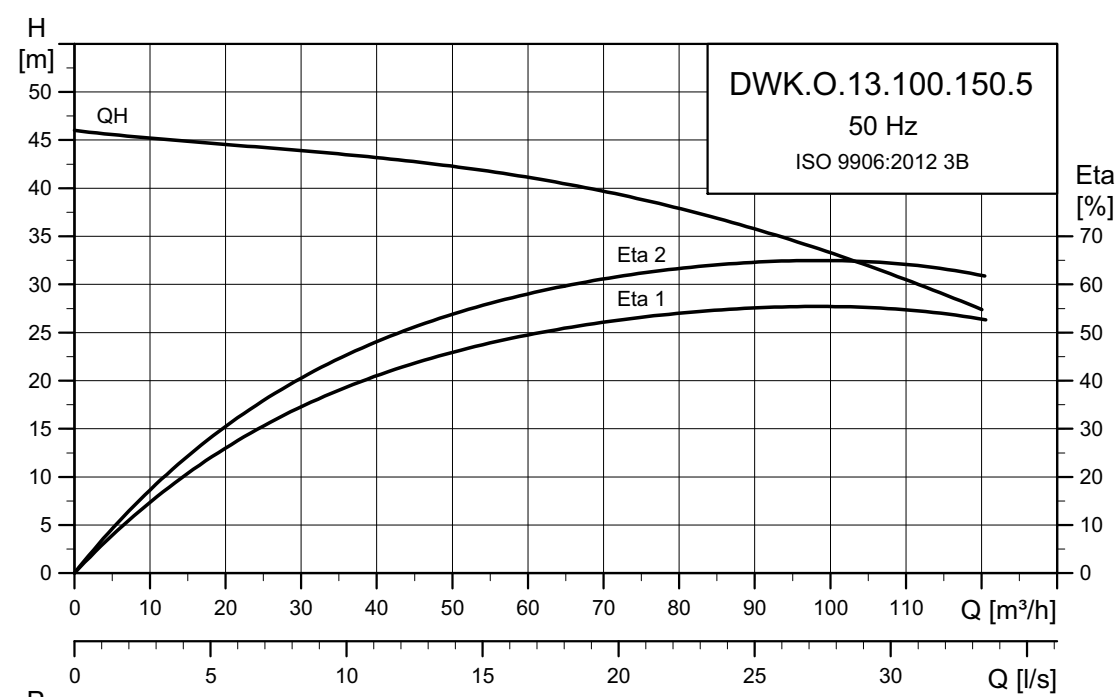
Electrical data

Pump type	Voltage [V]	P2 [kW]	min ⁻¹	Starting method	I _N [A]			η _{motor} [%]			Cos φ			Cable
					1/2	3/4	1/1	1/2	3/4	1/1	1/2	3/4	1/1	
DWK.O.13.100.110.5.0D	3 x 380-415 Y	11	2850	DOL	20.4	89.2	90.0	89.5	0.87	0.90	0.91	4 x 6.0 mm ² + 4 x 1 mm ²		
DWK.O.13.100.110.5.0E	3 x 220-240 D	11	2850	DOL	35.0	89.2	90.0	89.5	0.87	0.90	0.91	4 x 10.0 mm ² + 6 x 1 mm ²		
DWK.O.13.100.110.5.0D.R	3 x 380-415 Y	11	2850	DOL	20.4	89.2	90.0	89.5	0.87	0.90	0.91	4 x 6.0 mm ² + 4 x 1 mm ²		
DWK.O.13.100.110.5.0E.R	3 x 220-240 D	11	2850	DOL	35.0	89.2	90.0	89.5	0.87	0.90	0.91	4 x 10.0 mm ² + 6 x 1 mm ²		
DWK.O.13.100.110.5.1D	3 x 380-415 D	11	2850	Y/D	20.4	89.2	90.0	89.5	0.87	0.90	0.91	7 x 4.0 mm ² + 4 x 1 mm ²		
DWK.O.13.100.110.5.1E	3 x 220-240 D	11	2850	Y/D	35.0	89.2	90.0	89.5	0.87	0.90	0.91	7 x 6.0 mm ² + 6 x 1 mm ²		
DWK.O.13.100.110.5.1D.R	3 x 380-415 D	11	2850	Y/D	20.4	89.2	90.0	89.5	0.87	0.90	0.91	7 x 4.0 mm ² + 4 x 1 mm ²		
DWK.O.13.100.110.5.1E.R	3 x 220-240 D	11	2850	Y/D	35.0	89.2	90.0	89.5	0.87	0.90	0.91	7 x 6.0 mm ² + 6 x 1 mm ²		

Pump data

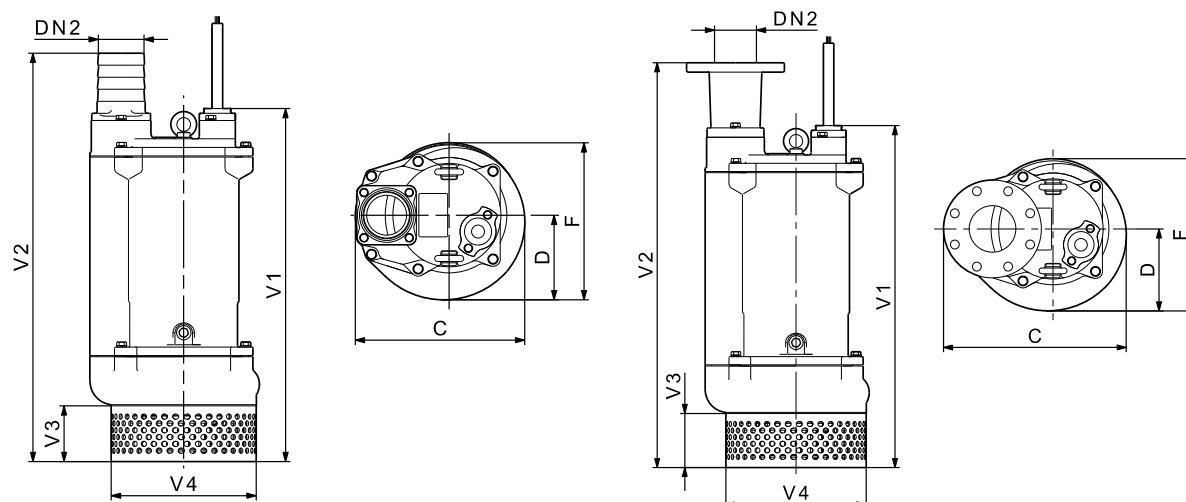
Pump type	Impeller type	Max. solids size [mm]	Max. number of starts per hour	Max. installation depth [m]	Enclosure class	Insulation class	Max. liquid temperature [°C]	pH
DWK.O.13.100.110.5	Semi-open	13	30	25	68	F	40	4-10

DWK.O.13.100.150.5



TM04 2929 4514

Dimensional sketches



TM04 6998 1610 - TM04 6999 1610

Dimensions

Pump type	Connection type	Dimensions [mm]								Weight* [kg]
		C	D	DN2	F	V1	V2	V3	V4	
DWK.O.13.100.150.5	Hose	358	179	100	333	779	897	116	302	195
	Flange	431	179	100	333	779	917	116	302	195

* With 10 m cable.

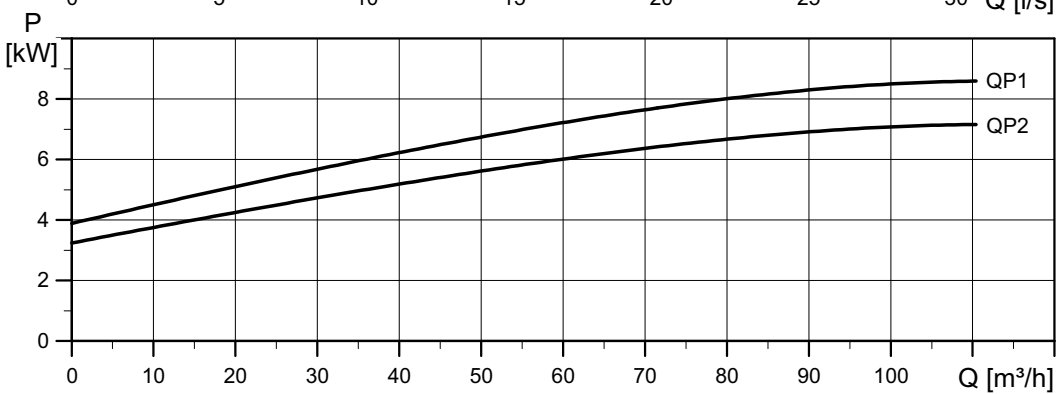
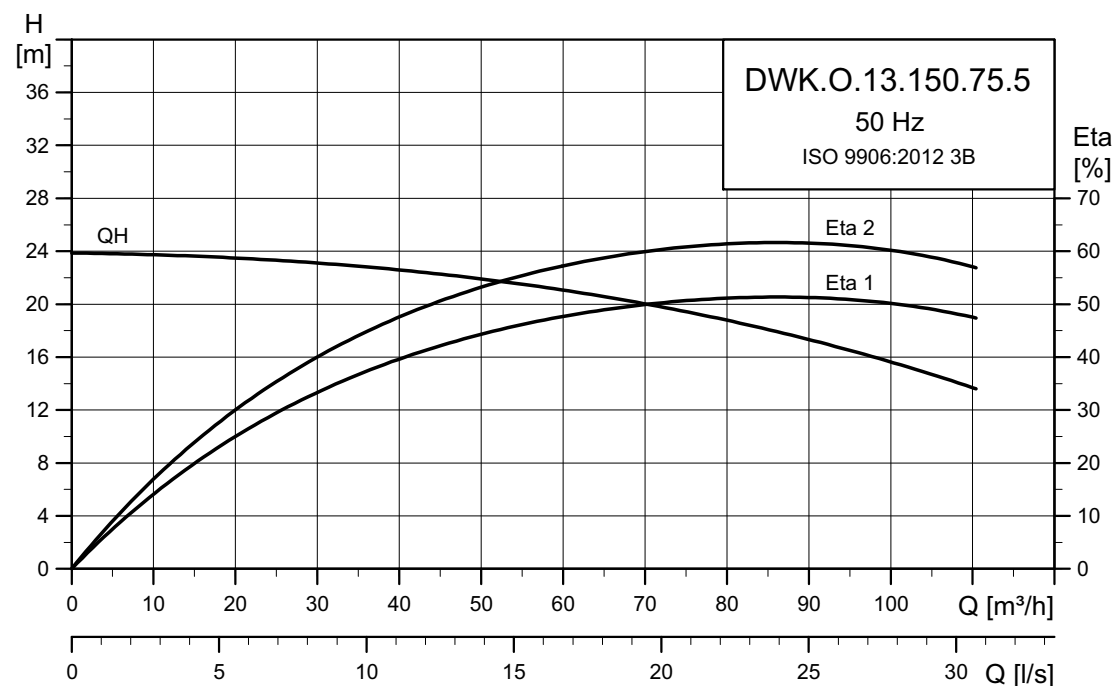
Electrical data

Pump type	Voltage [V]	P2 [kW]	min ⁻¹	Starting method	I _N			η _{motor} [%]			Cos φ			Cable
					[A]	1/2	3/4	1/1	1/2	3/4	1/1			
DWK.O.13.100.150.5.0D	3 x 380-415 Y	15	2850	DOL	27.8	89.5	90.3	89.8	0.88	0.91	0.92	4 x 6.0 mm ² + 4 x 1 mm ²		
DWK.O.13.100.150.5.0D.R	3 x 380-415 Y	15	2850	DOL	27.8	89.5	90.3	89.8	0.88	0.91	0.92	4 x 6.0 mm ² + 4 x 1 mm ²		
DWK.O.13.100.150.5.0E	3 x 220-240 D	15	2850	DOL	27.8	89.5	90.3	89.8	0.88	0.91	0.92	4 x 10.0 mm ² + 6 x 1 mm ²		
DWK.O.13.100.150.5.0E.R	3 x 220-240 D	15	2850	DOL	27.8	89.5	90.3	89.8	0.88	0.91	0.92	4 x 10.0 mm ² + 6 x 1 mm ²		
DWK.O.13.100.150.5.1D	3 x 380-415 D	15	2850	Y/D	27.8	89.5	90.3	89.8	0.88	0.91	0.92	7 x 4.0 mm ² + 4 x 1 mm ²		
DWK.O.13.100.150.5.1E	3 x 220-240 D	15	2850	Y/D	27.8	89.5	90.3	89.8	0.88	0.91	0.92	7 x 6.0 mm ² + 6 x 1 mm ²		
DWK.O.13.100.150.5.1D.R	3 x 380-415 D	15	2850	Y/D	27.8	89.5	90.3	89.8	0.88	0.91	0.92	7 x 4.0 mm ² + 4 x 1 mm ²		
DWK.O.13.100.150.5.1E.R	3 x 220-240 D	15	2850	Y/D	27.8	89.5	90.3	89.8	0.88	0.91	0.92	7 x 6.0 mm ² + 6 x 1 mm ²		

Pump data

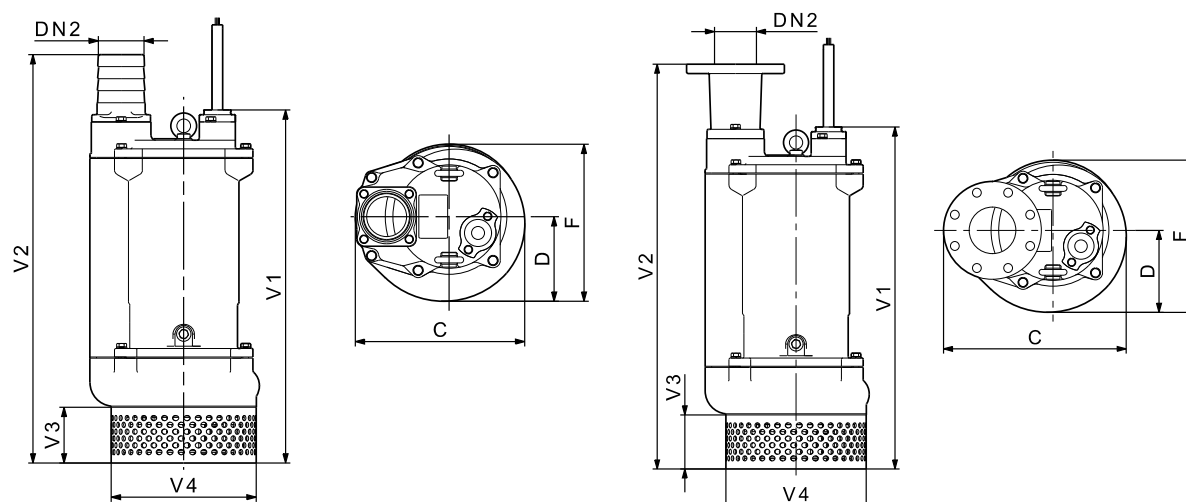
Pump type	Impeller type	Max. solids size [mm]	Max. number of starts per hour	Max. installation depth [m]	Enclosure class	Insulation class	Max. liquid temperature [°C]	pH
DWK.O.13.100.150	Semi-open	13	30	25	68	F	40	4-10

DWK.O.13.150.75.5



TM04 2930 4514

Dimensional sketches



TM04 6998 1610 - TM04 6999 1610

Dimensions

Pump type	Connection type	Dimensions [mm]								Weight* [kg]
		C	D	DN2	F	V1	V2	V3	V4	
DWK.O.13.150.75.5	Hose	358	179	150	333	734	893	116	302	156
	Flange	434	179	150	333	734	862	116	302	156

* With 10 m cable.

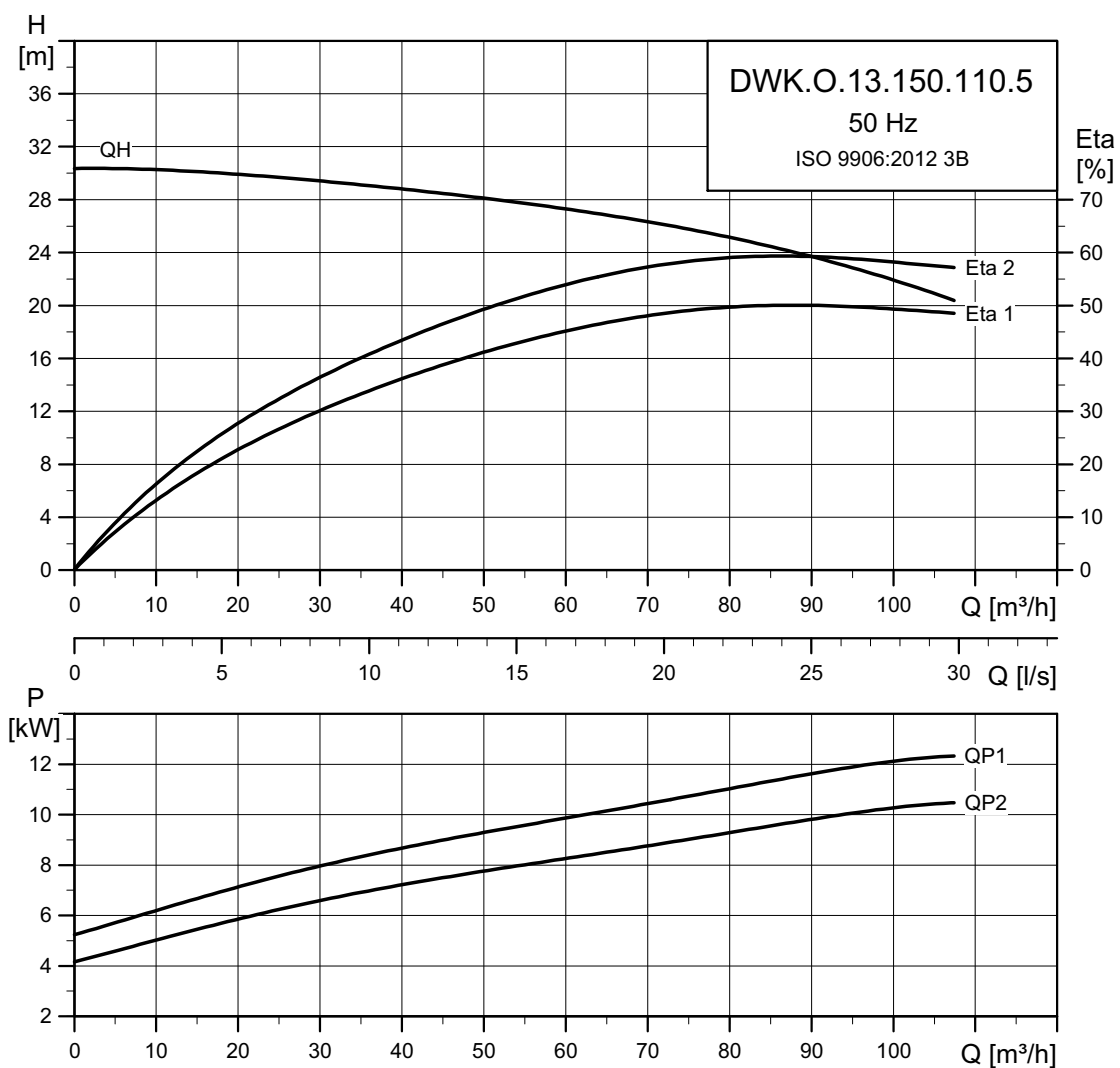
Electrical data

Pump type	Voltage [V]	P2 [kW]	min ⁻¹	Starting method	I _N [A]	η _{motor} [%]			Cos φ			Cable
						1/2	3/4	1/1	1/2	3/4	1/1	
DWK.O.13.150.75.5.0D	3 x 380-415 Y	7.5	2850	DOL	14.1	88.9	89.2	88.3	0.86	0.905	0.92	4 x 4.0 mm ² + 4 x 1 mm ²
DWK.O.13.150.75.5.0E	3 x 220-240 D	7.5	2850	DOL	24.3	88.9	89.2	88.3	0.86	0.905	0.92	4 x 6.0 mm ² + 4 x 1 mm ²
DWK.O.13.150.75.5.0D.R	3 x 380-415 Y	7.5	2850	DOL	14.1	88.9	89.2	88.3	0.86	0.905	0.92	4 x 4.0 mm ² + 4 x 1 mm ²
DWK.O.13.150.75.5.0E.R	3 x 220-240 D	7.5	2850	DOL	24.3	88.9	89.2	88.3	0.86	0.905	0.92	4 x 6.0 mm ² + 4 x 1 mm ²
DWK.O.13.150.75.5.1D	3 x 380-415 D	7.5	2850	Y/D	14.1	88.9	89.2	88.3	0.86	0.905	0.92	7 x 4.0 mm ² + 4 x 1 mm ²
DWK.O.13.150.75.5.1E	3 x 220-240 D	7.5	2850	Y/D	24.3	88.9	89.2	88.3	0.86	0.905	0.92	7 x 4.0 mm ² + 4 x 1 mm ²
DWK.O.13.150.75.5.1D.R	3 x 380-415 D	7.5	2850	Y/D	14.1	88.9	89.2	88.3	0.86	0.905	0.92	7 x 4.0 mm ² + 4 x 1 mm ²
DWK.O.13.150.75.5.1E.R	3 x 220-240 D	7.5	2850	Y/D	24.3	88.9	89.2	88.3	0.86	0.905	0.92	7 x 4.0 mm ² + 4 x 1 mm ²

Pump data

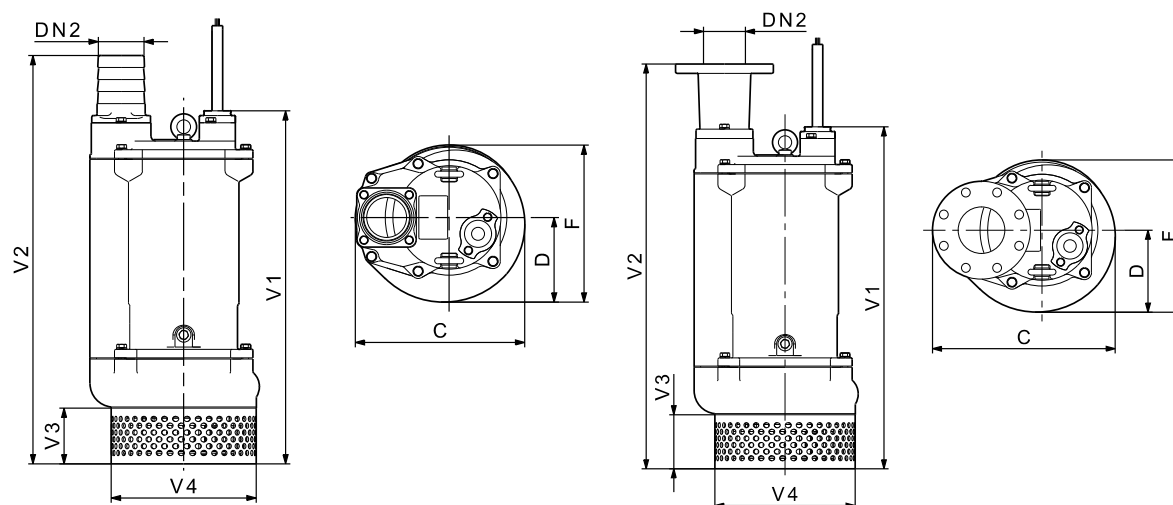
Pump type	Impeller type	Max. solids size [mm]	Max. number of starts per hour	Max. installation depth [m]	Enclosure class	Insulation class	Max. liquid temperature [°C]	pH
DWK.O.13.150.75	Semi-open	13	30	25	68	F	40	4-10

DWK.O.13.150.110.5



TM04 2931 4514

Dimensional sketches



TM04 6998 1610 - TM04 6999 1610

Dimensions

Pump type	Connection type	Dimensions [mm]								Weight* [kg]
		C	D	DN2	F	V1	V2	V3	V4	
DWK.O.13.150.110.5	Hose	358	179	150	333	779	948	116	302	190
	Flange	457	179	150	333	779	907	116	302	190

* With 10 m cable.

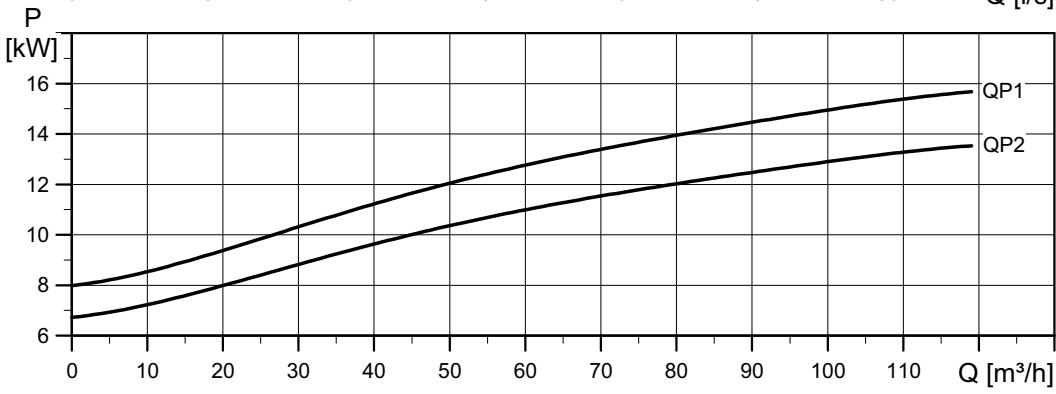
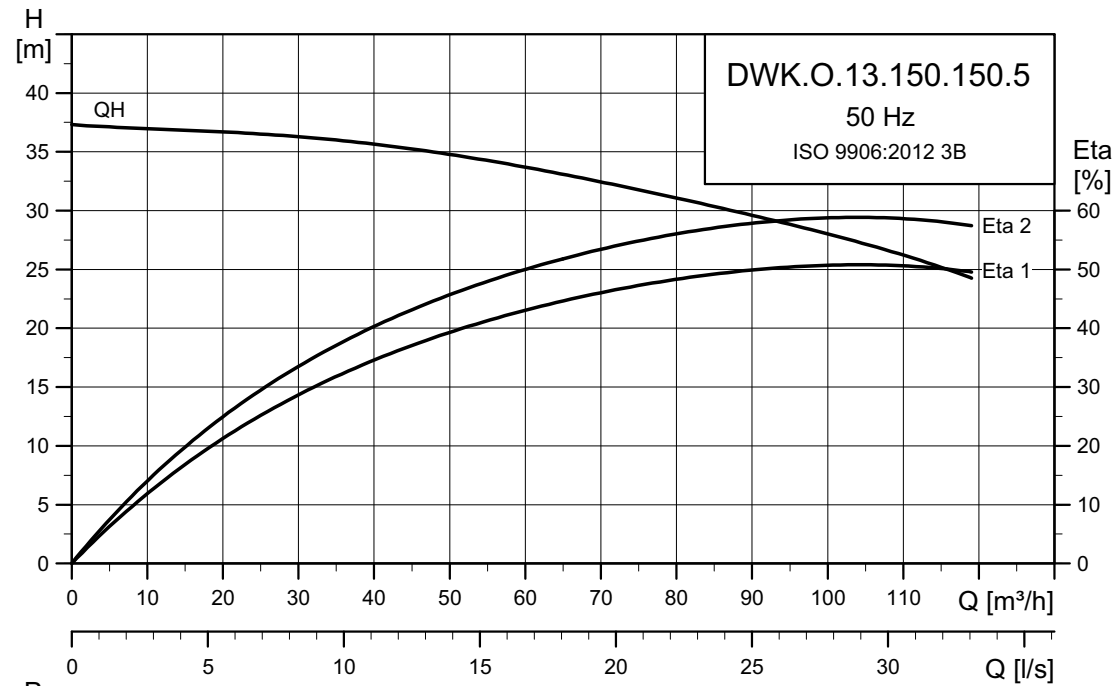
Electrical data

Pump type	Voltage [V]	P2 [kW]	min ⁻¹	Starting method	I _N [A]	η _{motor} [%]			Cos φ			Cable
						1/2	3/4	1/1	1/2	3/4	1/1	
DWK.O.13.150.110.5.0D	3 x 380-415 Y	11	2850	DOL	20.4	89.2	90.0	89.5	0.87	0.91	0.92	4 x 6.0 mm ² + 4 x 1 mm ²
DWK.O.13.150.110.5.0E	3 x 220-240 D	11	2850	DOL	35.0	89.2	90.0	89.5	0.87	0.91	0.92	4 x 10.0 mm ² + 6 x 1 mm ²
DWK.O.13.150.110.5.0D.R	3 x 380-415 Y	11	2850	DOL	20.4	89.2	90.0	89.5	0.87	0.91	0.92	4 x 6.0 mm ² + 4 x 1 mm ²
DWK.O.13.150.110.5.0E.R	3 x 220-240 D	11	2850	DOL	35.0	89.2	90.0	89.5	0.87	0.91	0.92	4 x 10.0 mm ² + 6 x 1 mm ²
DWK.O.13.150.110.5.1D	3 x 380-415 D	11	2850	Y/D	20.4	89.2	90.0	89.5	0.87	0.91	0.92	7 x 4.0 mm ² + 4 x 1 mm ²
DWK.O.13.150.110.5.1E	3 x 220-240 D	11	2850	Y/D	35.0	89.2	90.0	89.5	0.87	0.91	0.92	7 x 6.0 mm ² + 6 x 1 mm ²
DWK.O.13.150.110.5.1D.R	3 x 380-415 D	11	2850	Y/D	20.4	89.2	90.0	89.5	0.87	0.91	0.92	7 x 4.0 mm ² + 4 x 1 mm ²
DWK.O.13.150.110.5.1E.R	3 x 220-240 D	11	2850	Y/D	35.0	89.2	90.0	89.5	0.87	0.91	0.92	7 x 6.0 mm ² + 6 x 1 mm ²

Pump data

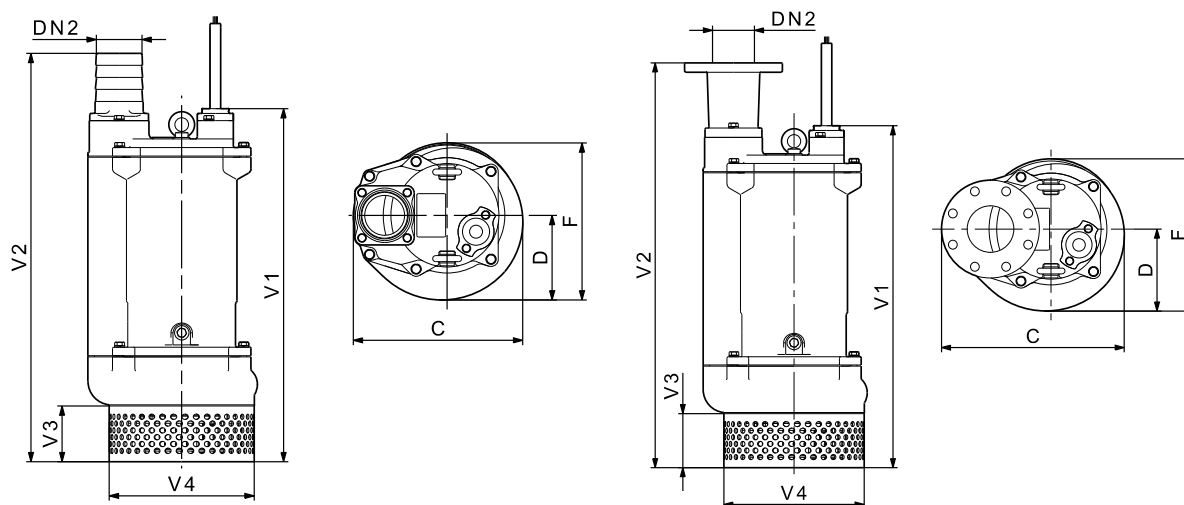
Pump type	Impeller type	Max. solids size [mm]	Max. number of starts per hour	Max. installation depth [m]	Enclosure class	Insulation class	Max. liquid temperature [°C]	pH
DWK.O.13.150.110	Semi-open	13	30	25	68	F	40	4-10

DWK.O.13.150.150.5



TM04 2932 4514

Dimensional sketches



TM04 6998 1610 - TM04 6999 1610

Dimensions

Pump type	Connection type	Dimensions [mm]								Weight* [kg]
		C	D	DN2	F	V1	V2	V3	V4	
DWK.O.13.150.150.5	Hose	358	179	150	333	779	948	116	302	195
	Flange	457	179	150	333	779	907	116	302	195

* With 10 m cable.

Electrical data

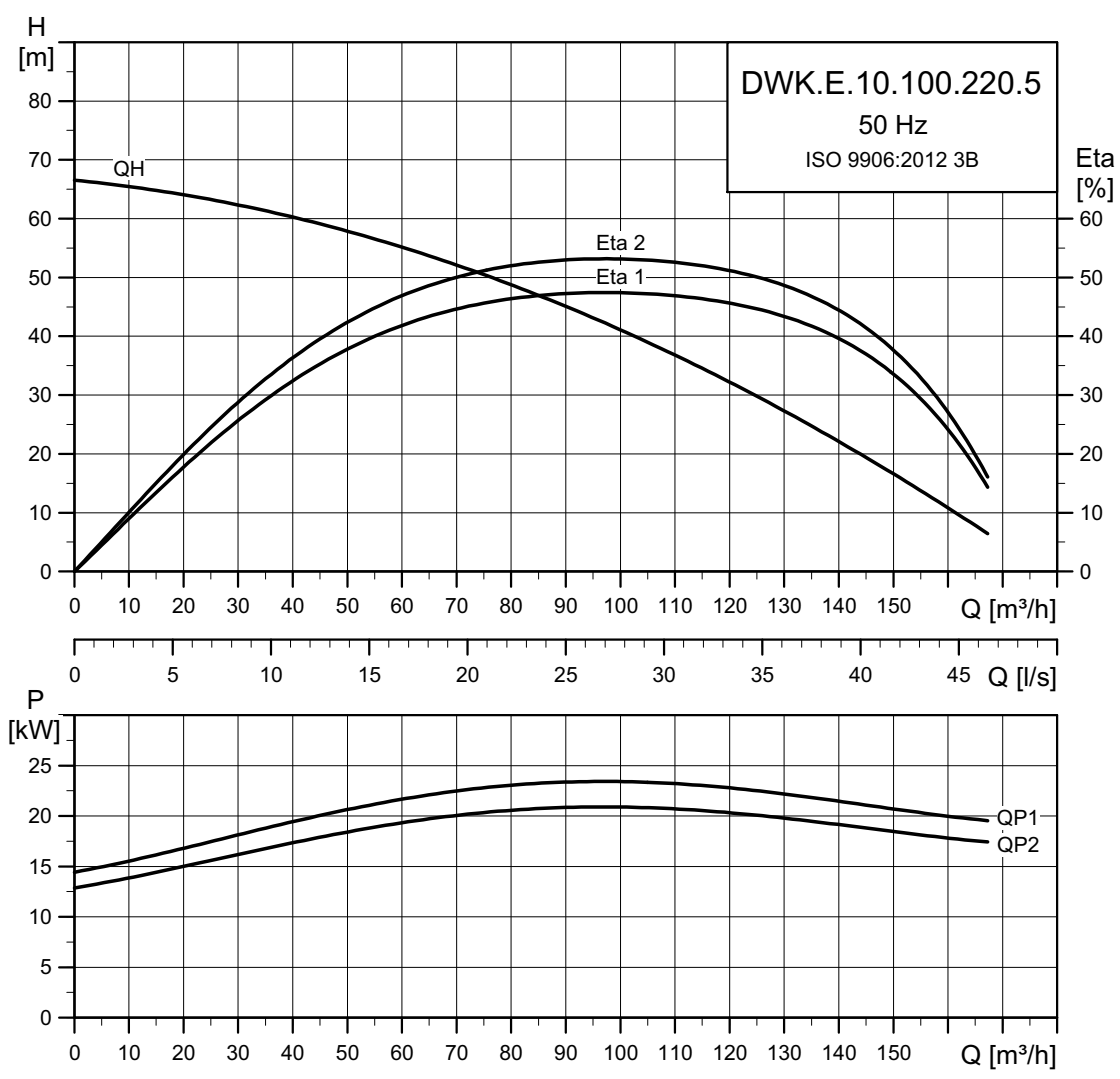
Pump type	Voltage [V]	P2 [kW]	min ⁻¹	Starting method	I _N [A]	η _{motor} [%]			Cos φ			Cable
						1/2	3/4	1/1	1/2	3/4	1/1	
DWK.O.13.150.150.5.0D	3 x 380-415 Y	15	2850	DOL	27.8	89.5	90.3	89.8	0.88	0.91	0.92	4 x 6.0 mm ² + 4 x 1 mm ²
DWK.O.13.150.150.5.0D.R	3 x 380-415 Y	15	2850	DOL	27.8	89.5	90.3	89.8	0.88	0.91	0.92	4 x 6.0 mm ² + 4 x 1 mm ²
DWK.O.13.150.150.5.0E	3 x 220-240 D	15	2850	DOL	27.8	89.5	90.3	89.8	0.88	0.91	0.92	4 x 10.0 mm ² + 6 x 1 mm ²
DWK.O.13.150.150.5.0E.R	3 x 220-240 D	15	2850	DOL	27.8	89.5	90.3	89.8	0.88	0.91	0.92	4 x 10.0 mm ² + 6 x 1 mm ²
DWK.O.13.150.150.5.1D	3 x 380-415 D	15	2850	Y/D	27.8	89.5	90.3	89.8	0.88	0.91	0.92	7 x 4.0 mm ² + 4 x 1 mm ²
DWK.O.13.150.150.5.1E	3 x 220-240 D	15	2850	Y/D	27.8	89.5	90.3	89.8	0.88	0.91	0.92	7 x 6.0 mm ² + 6 x 1 mm ²
DWK.O.13.150.150.5.1D.R	3 x 380-415 D	15	2850	Y/D	27.8	89.5	90.3	89.8	0.88	0.91	0.92	7 x 4.0 mm ² + 4 x 1 mm ²
DWK.O.13.150.150.5.1E.R	3 x 220-240 D	15	2850	Y/D	27.8	89.5	90.3	89.8	0.88	0.91	0.92	7 x 6.0 mm ² + 6 x 1 mm ²

Pump data

Pump type	Impeller type	Max. solids size [mm]	Max. number of starts per hour	Max. installation depth [m]	Enclosure class	Insulation class	Max. liquid temperature [°C]	pH
DWK.O.13.150.150	Semi-open	13	30	25	68	F	40	4-10

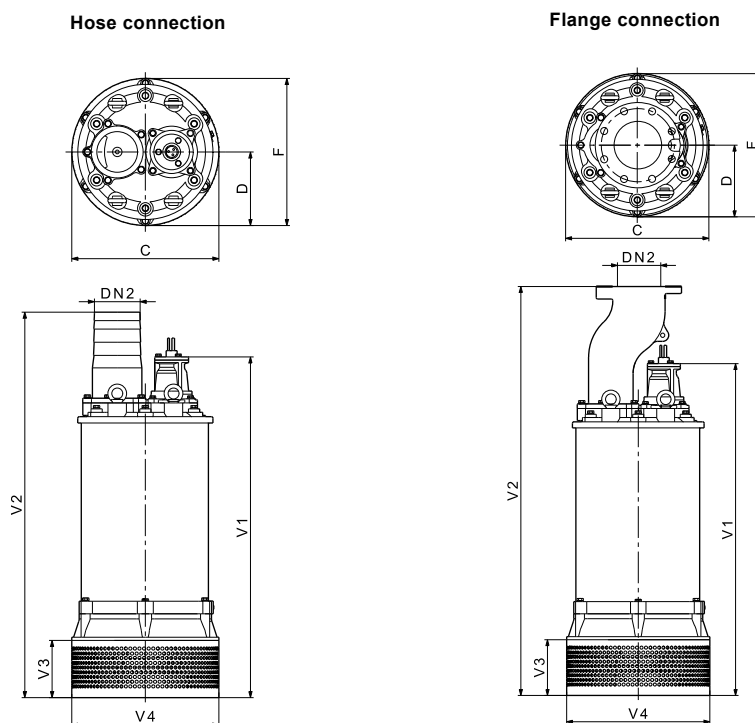
DWK.E

DWK.E.10.100.220.5



TM04 2895 4514

Dimensional sketches



TM04 4148 0909 - TM04 4150 0909

Dimensions

Pump type	Connection type	Dimensions [mm]								Weight* [kg]
		C	D	DN2	F	V1	V2	V3	V4	
DWK.E.10.100.220.5	Hose	432	235	100	470	1099	1117	183	470	408
	Flange	432	235	100	470	1099	1342	183	470	420

* With 10 m cable.

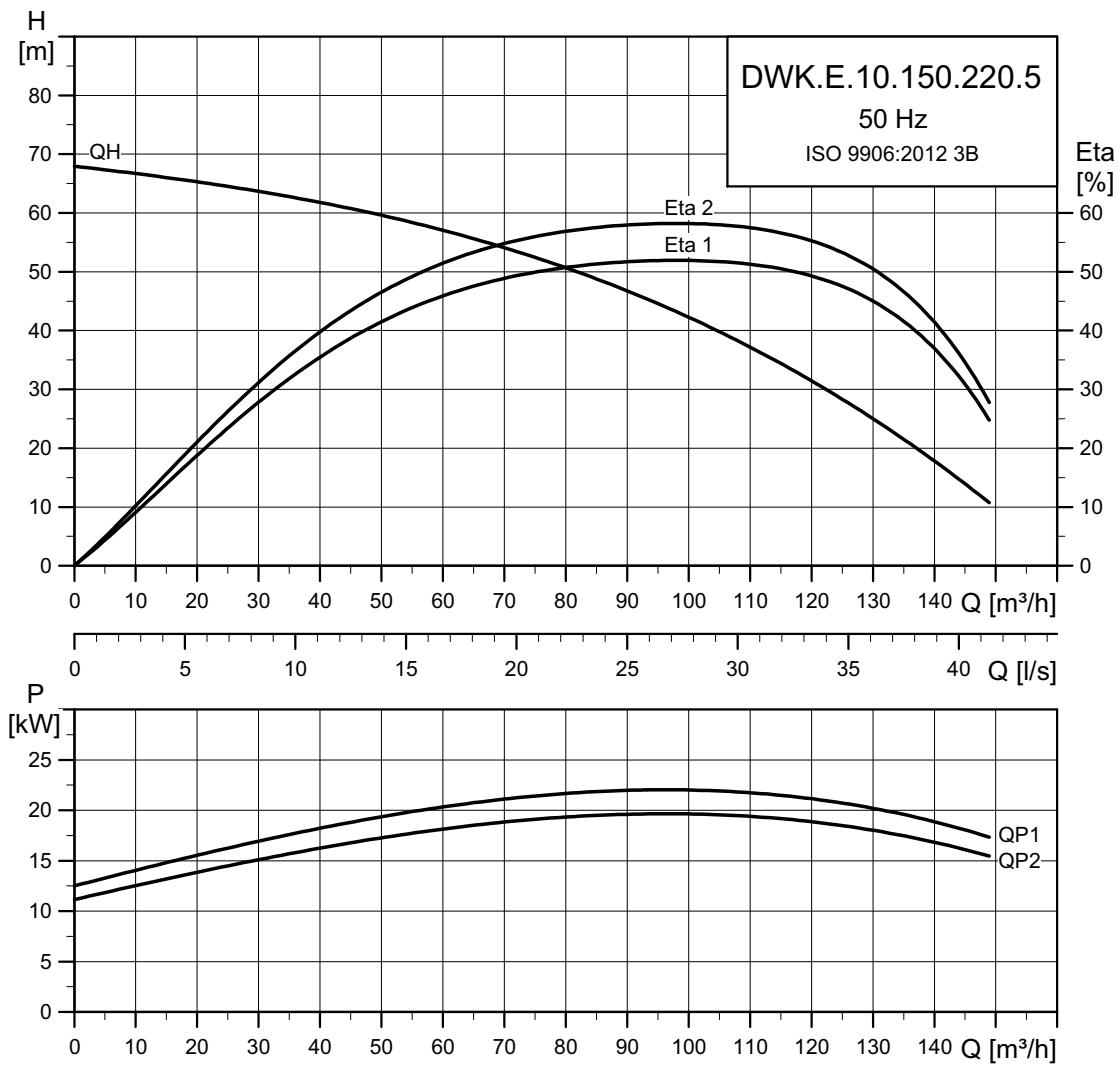
Electrical data

Pump type	Voltage [V]	P2 [kW]	min ⁻¹	Starting method	I _N [A]	η _{motor} [%]			Cos φ			Cable
						1/2	3/4	1/1	1/2	3/4	1/1	
DWK.E.10.100.220.5.1D	3 x 380-415 D	22	2850	Y/D	43	86.7	88.6	89.2	0.747	0.824	0.855	7 x 10.0 mm ² + 6 x 1.5 mm ²
DWK.E.10.100.220.5.1D.R	3 x 380-415 D	22	2850	Y/D	43	86.7	88.6	89.2	0.747	0.824	0.855	7 x 10.0 mm ² + 6 x 1.5 mm ²
DWK.E.10.100.220.5.1E	3 x 220-240 D	22	2850	Y/D	75	86.7	88.6	89.2	0.747	0.824	0.855	7 x 16.0 mm ² + 6 x 1.5 mm ²
DWK.E.10.100.220.5.1E.R	3 x 220-240 D	22	2850	Y/D	75	86.7	88.6	89.2	0.747	0.824	0.855	7 x 16.0 mm ² + 6 x 1.5 mm ²

Pump data

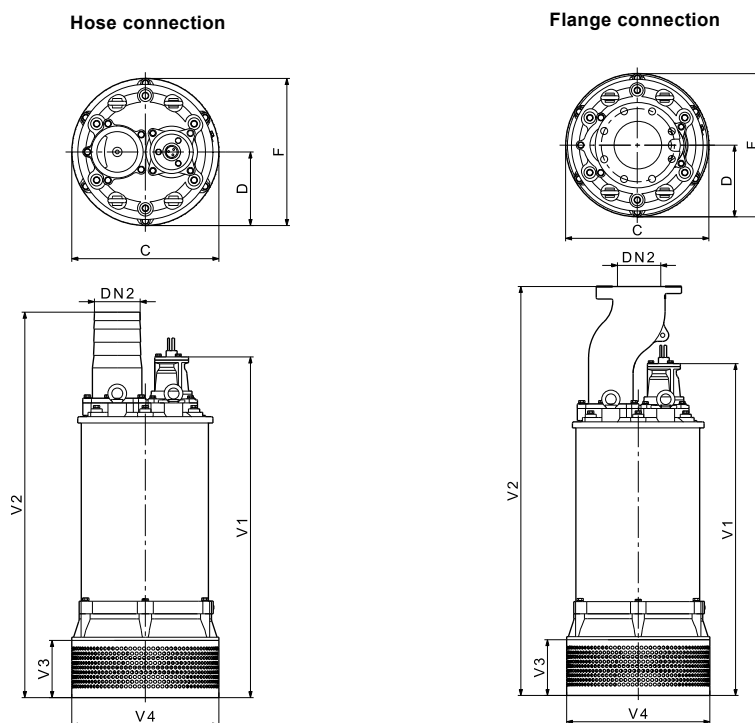
Pump type	Impeller type	Max. solids size [mm]	Max. number of starts per hour	Max. installation depth [m]	Enclosure class	Insulation class	Max. liquid temperature [°C]	pH
DWK.E.10.100.220	Enclosed	10	18	25	68	F	40	4-10

DWK.E.10.150.220.5



TM04 2896 4514

Dimensional sketches



TM04 4148 0909 - TM04 4150 0909

Dimensions

Pump type	Connection type	Dimensions [mm]								Weight* [kg]
		C	D	DN2	F	V1	V2	V3	V4	
DWK.E.10.150.220.5	Hose	432	235	150	470	1099	1232	183	470	417
	Flange	432	235	150	470	1099	1342	183	470	427

* With 10 m cable.

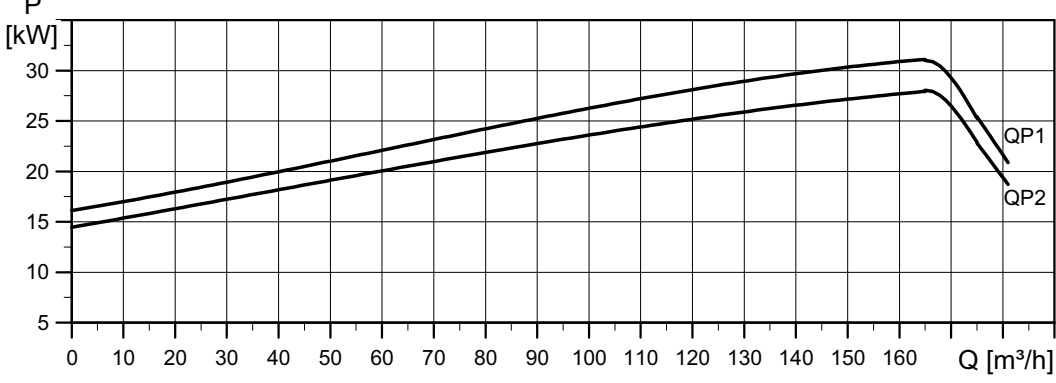
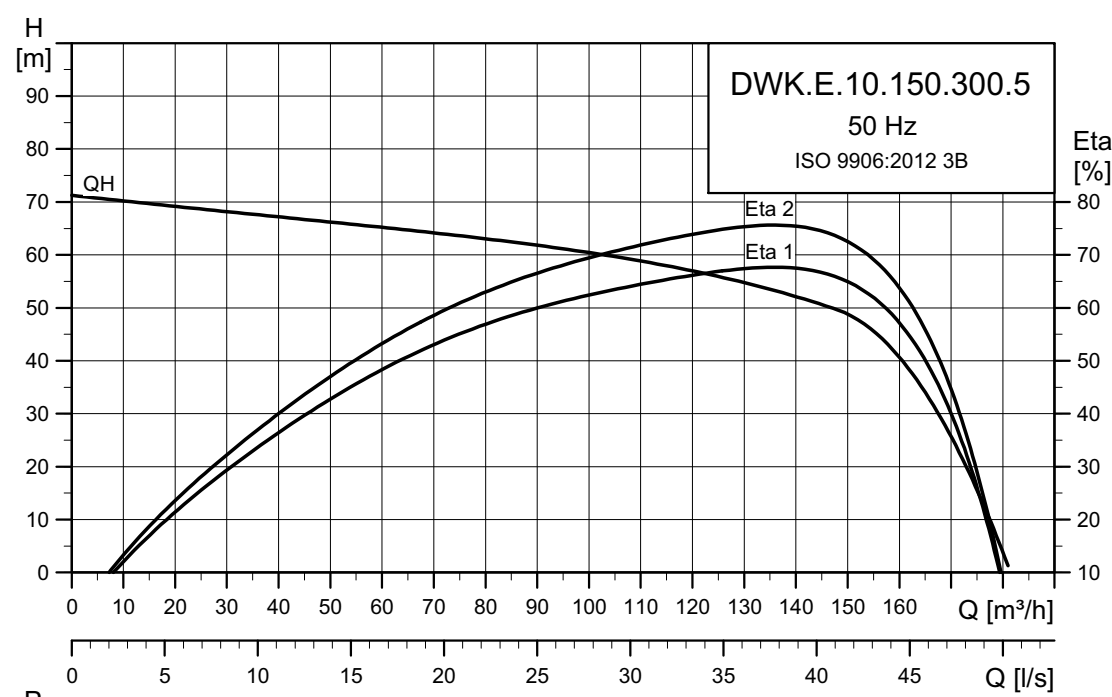
Electrical data

Pump type	Voltage [V]	P2 [kW]	min ⁻¹	Starting method	I _N [A]	η _{motor} [%]			Cos φ			Cable
						1/2	3/4	1/1	1/2	3/4	1/1	
DWK.E.10.150.220.5.1D	3 x 380-415 D	22	2850	Y/D	43	86.7	88.6	89.2	0.747	0.824	0.855	7 x 10.0 mm ² + 6 x 1.5 mm ²
DWK.E.10.150.220.5.1D.R	3 x 380-415 D	22	2850	Y/D	43	86.7	88.6	89.2	0.747	0.824	0.855	7 x 10.0 mm ² + 6 x 1.5 mm ²
DWK.E.10.150.220.5.1E	3 x 220-240 D	22	2850	Y/D	75	86.7	88.6	89.2	0.747	0.824	0.855	7 x 16.0 mm ² + 6 x 1.5 mm ²
DWK.E.10.150.220.5.1E.R	3 x 220-240 D	22	2850	Y/D	75	86.7	88.6	89.2	0.747	0.824	0.855	7 x 16.0 mm ² + 6 x 1.5 mm ²

Pump data

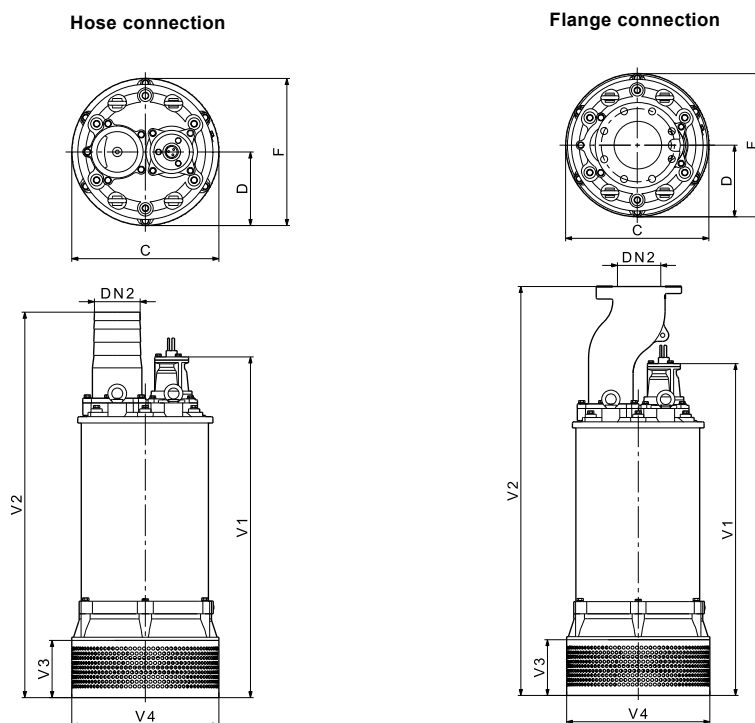
Pump type	Impeller type	Max. solids size [mm]	Max. number of starts per hour	Max. installation depth [m]	Enclosure class	Insulation class	Max. liquid temperature [°C]	pH
DWK.E.10.150.220	Enclosed	10	18	25	68	F	40	4-10

DWK.E.10.150.300.5



TM04 2897 4514

Dimensional sketches



TM04 4148 0909 - TM04 4150 0909

Dimensions

Pump type	Connection type	Dimensions [mm]								Weight* [kg]
		C	D	DN2	F	V1	V2	V3	V4	
DWK.E.10.150.300.5	Hose	432	235	150	470	1099	1232	183	470	442
	Flange	432	235	150	470	1099	1342	183	470	452

* With 10 m cable.

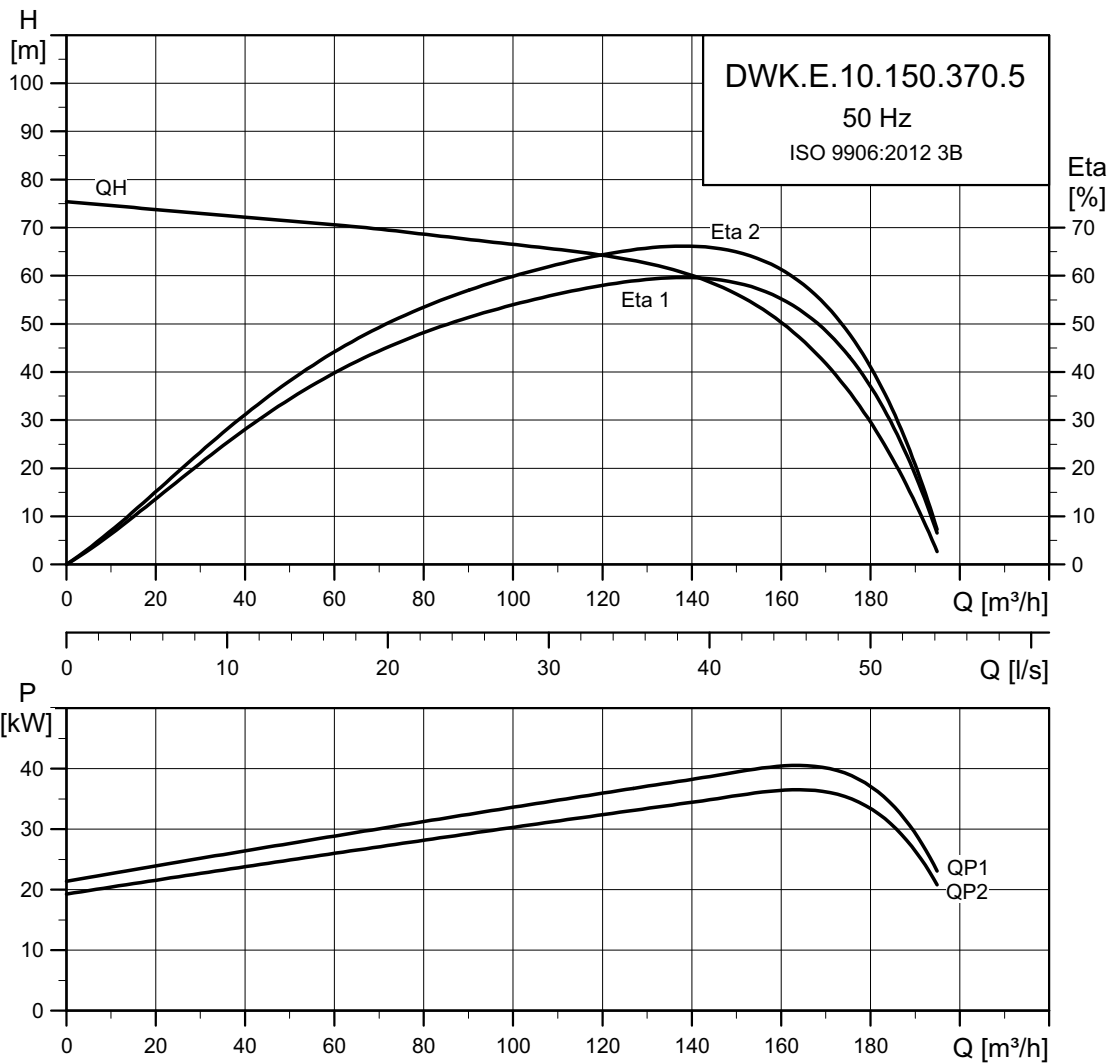
Electrical data

Pump type	Voltage [V]	P2 [kW]	min ⁻¹	Starting method	I _N		η _{motor} [%]				Cos φ			Cable
					[A]		1/2	3/4	1/1	1/2	3/4	1/1		
DWK.E.10.150.300.5.1D	3 x 380-415 D	30	2850	Y/D	59		87.2	89.1	89.7	0.751	0.828	0.86	7 x 16.0 mm ² + 6 x 1.5 mm ²	
DWK.E.10.150.300.5.1D.R	3 x 380-415 D	30	2850	Y/D	59		87.2	89.1	89.7	0.751	0.828	0.86	7 x 16.0 mm ² + 6 x 1.5 mm ²	
DWK.E.10.150.300.5.1E	3 x 220-240 D	30	2850	Y/D	102		87.2	89.1	89.7	0.751	0.828	0.86	7 x 25.0 mm ² + 6 x 1.5 mm ²	
DWK.E.10.150.300.5.1E.R	3 x 220-240 D	30	2850	Y/D	102		87.2	89.1	89.7	0.751	0.828	0.86	7 x 25.0 mm ² + 6 x 1.5 mm ²	

Pump data

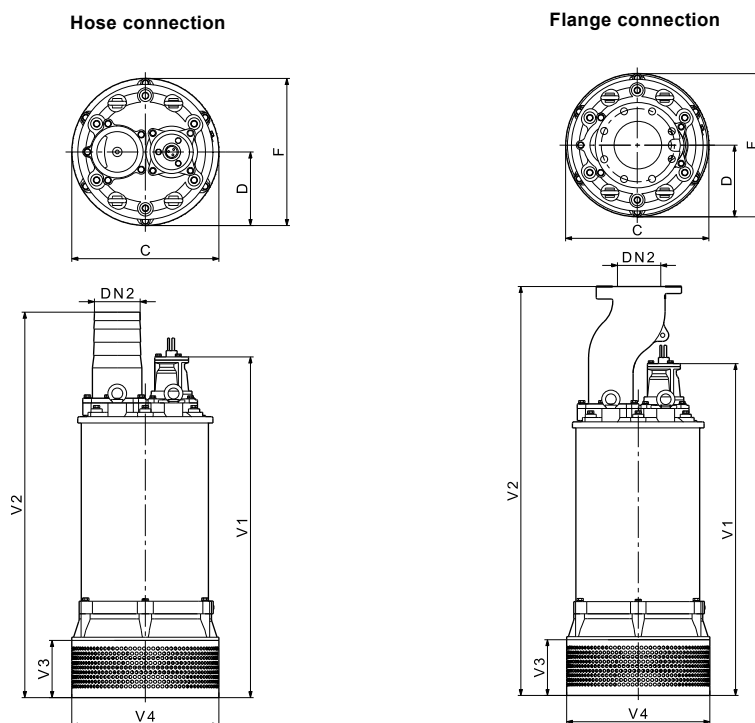
Pump type	Impeller type	Max. solids size [mm]	Max. number of starts per hour	Max. installation depth [m]	Enclosure class	Insulation class	Max. liquid temperature [°C]	pH
DWK.E.10.150.300	Enclosed	10	18	25	68	F	40	4-10

DWK.E.10.150.370.5



TM04 2898 4514

Dimensional sketches



TM04 4148 0909 - TM04 4150 0909

Dimensions

Pump type	Connection type	Dimensions [mm]								Weight* [kg]
		C	D	DN2	F	V1	V2	V3	V4	
DWK.E.10.150.370.5	Hose	532	306	150	612	1318	1411	220	557	837
	Flange	532	306	150	612	1318	1561	220	557	839

* With 10 m cable.

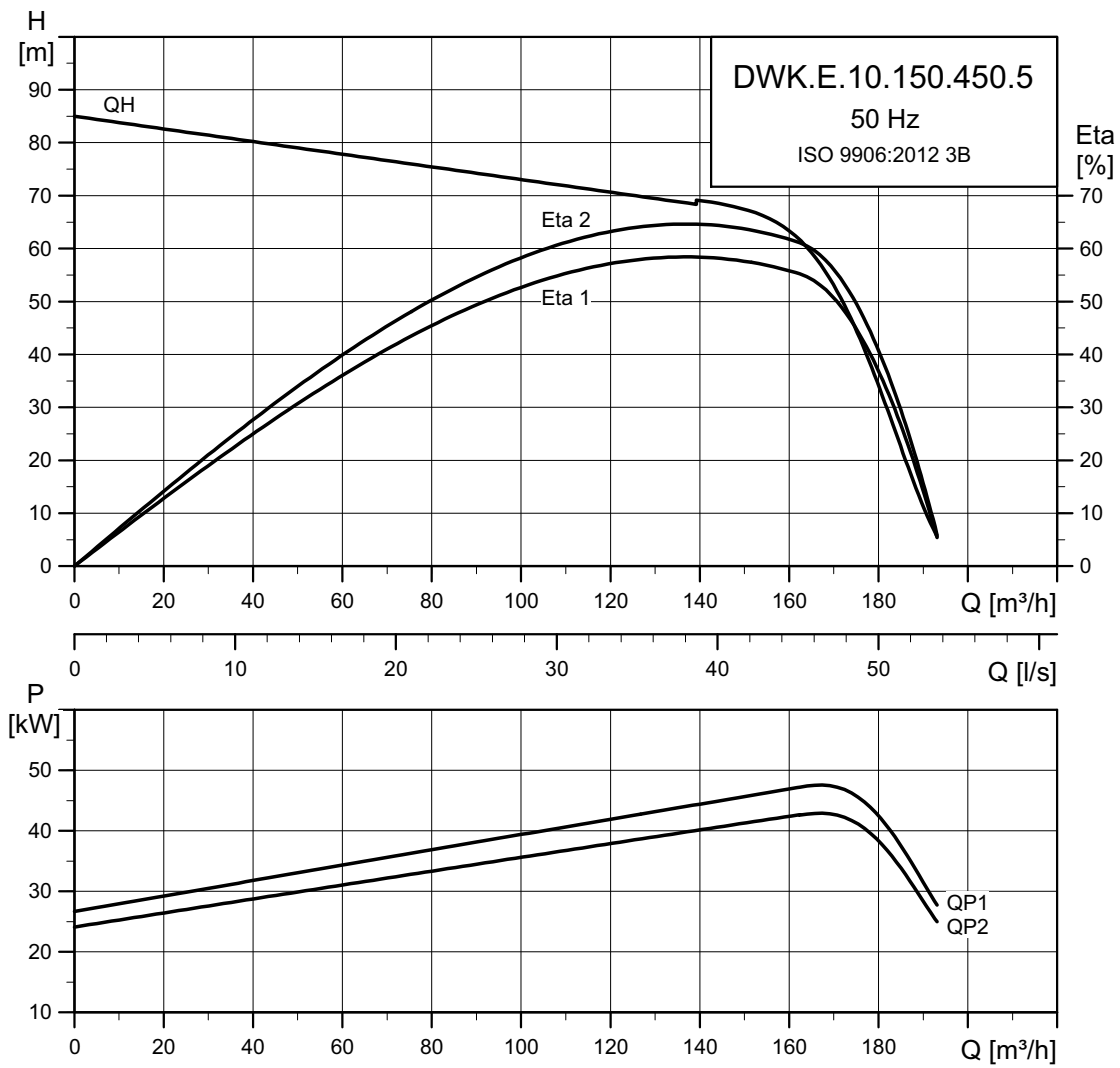
Electrical data

Pump type	Voltage [V]	P2 [kW]	min ⁻¹	Starting method	I _N [A]			η _{motor} [%]			Cos φ			Cable
					1/2	3/4	1/1	1/2	3/4	1/1	1/2	3/4	1/1	
DWK.E.10.150.370.5.1D	3 x 380-415 D	37	2850	Y/D	72	87.6	89.5	90.1	0.751	0.828	0.86	7 x 16.0 mm ² + 6 x 1.5 mm ²		
DWK.E.10.150.370.5.1D.R	3 x 380-415 D	37	2850	Y/D	72	87.6	89.5	90.1	0.751	0.828	0.86	7 x 16.0 mm ² + 6 x 1.5 mm ²		
DWK.E.10.150.370.5.1E	3 x 220-240 D	37	2850	Y/D	125	87.6	89.5	90.1	0.751	0.828	0.86	7 x 25.0 mm ² + 6 x 1.5 mm ²		
DWK.E.10.150.370.5.1E.R	3 x 220-240 D	37	2850	Y/D	125	87.6	89.5	90.1	0.751	0.828	0.86	7 x 25.0 mm ² + 6 x 1.5 mm ²		

Pump data

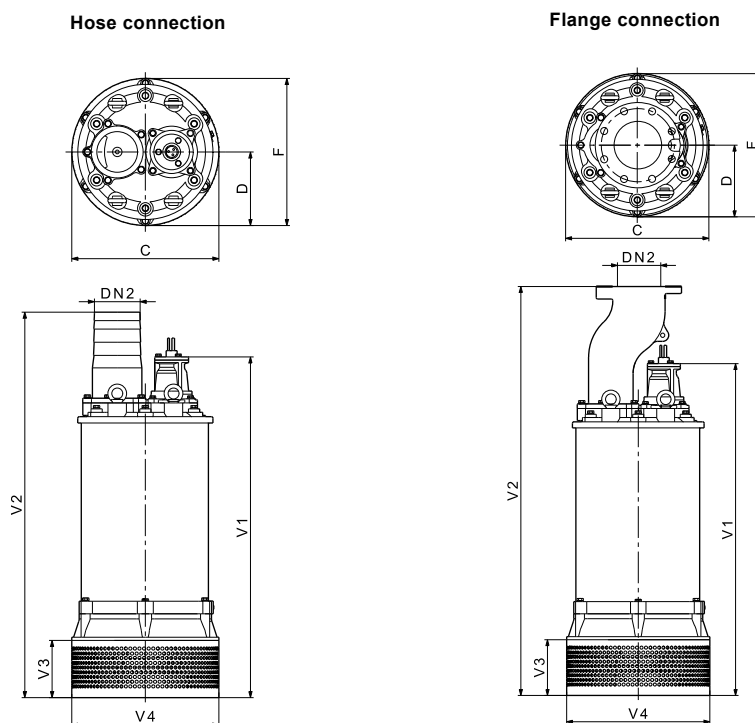
Pump type	Impeller type	Max. solids size [mm]	Max. number of starts per hour	Max. installation depth [m]	Enclosure class	Insulation class	Max. liquid temperature [°C]	pH
DWK.E.10.150.370	Enclosed	10	18	25	68	F	40	4-10

DWK.E.10.150.450.5



TM04 2899 4514

Dimensional sketches



TM04 4148 0909 - TM04 4150 0909

Dimensions

Pump type	Connection type	Dimensions [mm]								Weight* [kg]
		C	D	DN2	F	V1	V2	V3	V4	
DWK.E.10.150.450.5	Hose	532	306	150	612	1318	1411	220	557	846
	Flange	532	306	150	612	1318	1561	220	557	858

* With 10 m cable.

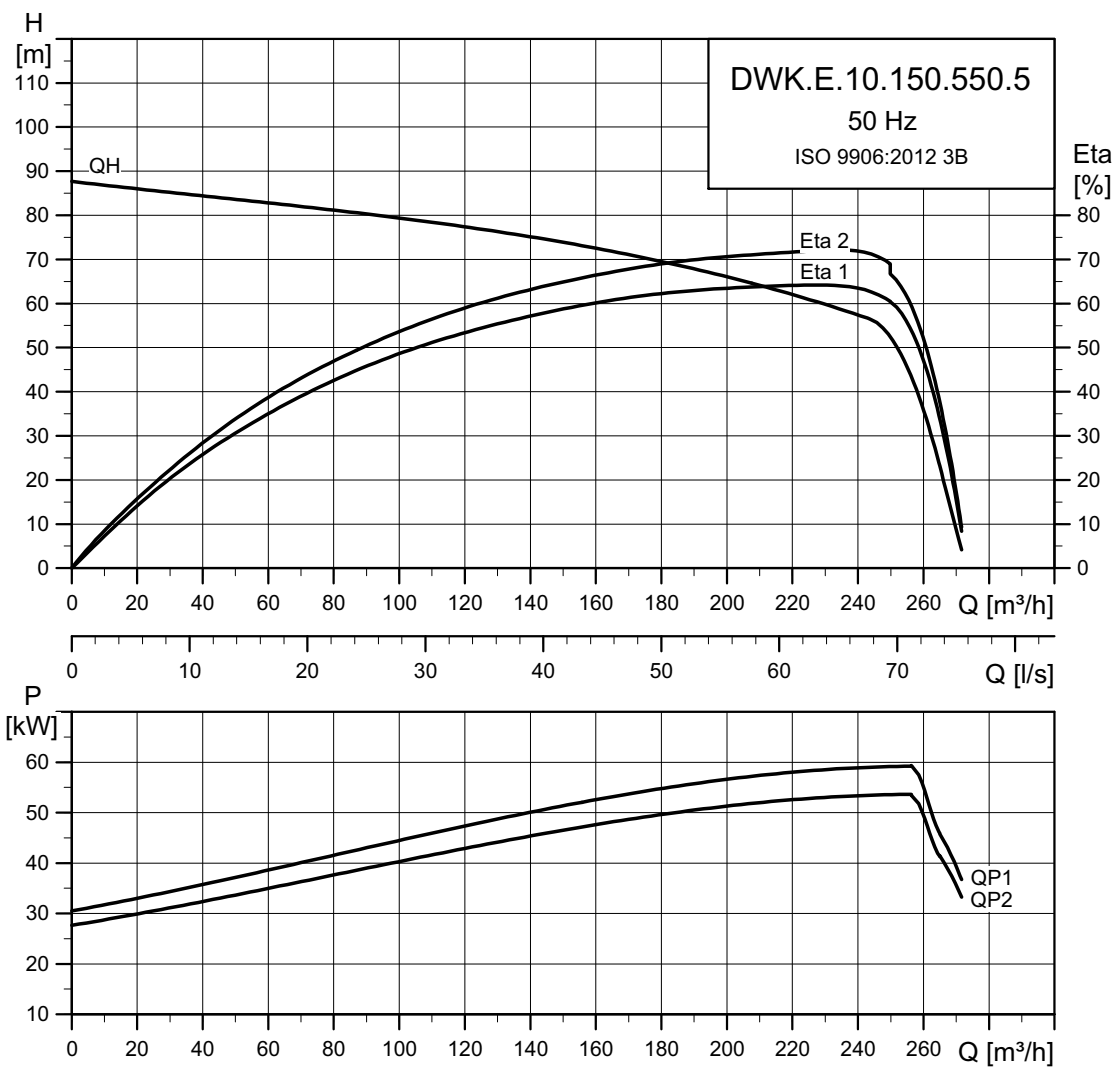
Electrical data

Pump type	Voltage [V]	P2 [kW]	min ⁻¹	Starting method	I _N [A]			η _{motor} [%]			Cos φ			Cable
					1/2	3/4	1/1	1/2	3/4	1/1	1/2	3/4	1/1	
DWK.E.10.150.450.5.1D	3 x 380-415 D	45	2850	Y/D	87	87.9	89.8	90.4	0.756	0.833	0.865	7 x 16.0 mm ² + 6 x 1.5 mm ²		
DWK.E.10.150.450.5.1D.R	3 x 380-415 D	45	2850	Y/D	87	87.9	89.8	90.4	0.756	0.833	0.865	7 x 16.0 mm ² + 6 x 1.5 mm ²		
DWK.E.10.150.450.5.1E	3 x 220-240 D	45	2850	Y/D	151	87.9	89.8	90.4	0.756	0.833	0.865	7 x 35.0 mm ² + 6 x 1.5 mm ²		
DWK.E.10.150.450.5.1E.R	3 x 220-240 D	45	2850	Y/D	151	87.9	89.8	90.4	0.756	0.833	0.865	7 x 35.0 mm ² + 6 x 1.5 mm ²		

Pump data

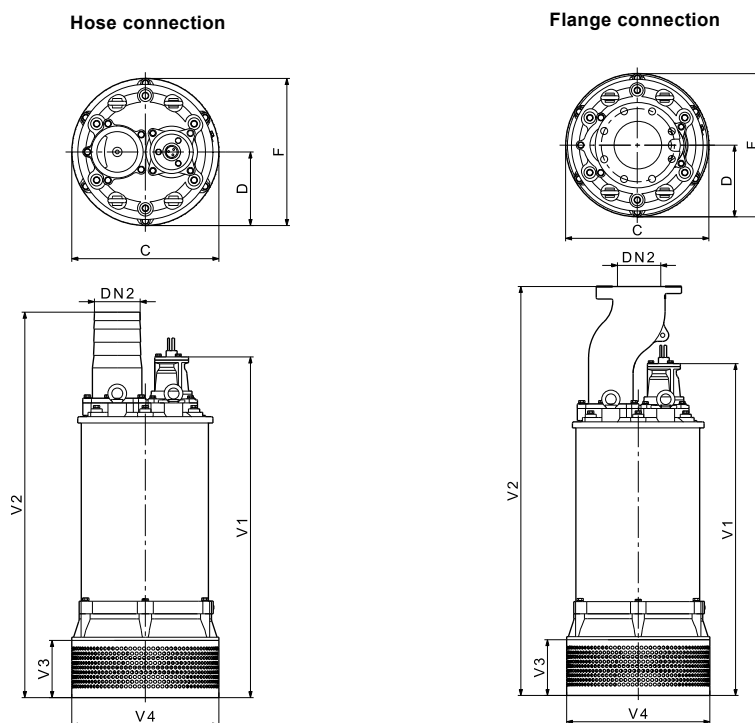
Pump type	Impeller type	Max. solids size [mm]	Max. number of starts per hour	Max. installation depth [m]	Enclosure class	Insulation class	Max. liquid temperature [°C]	pH
DWK.E.10.150.450	Enclosed	10	18	25	68	F	40	4-10

DWK.E.10.150.550.5



TM04 2900 4514

Dimensional sketches



TM04 4148 0909 - TM04 4150 0909

Dimensions

Pump type	Connection type	Dimensions [mm]								Weight* [kg]
		C	D	DN2	F	V1	V2	V3	V4	
DWK.E.10.150.550.5	Hose	532	306	150	612	1318	1411	220	557	909
	Flange	532	306	150	612	1318	1561	220	557	921

* With 10 m cable.

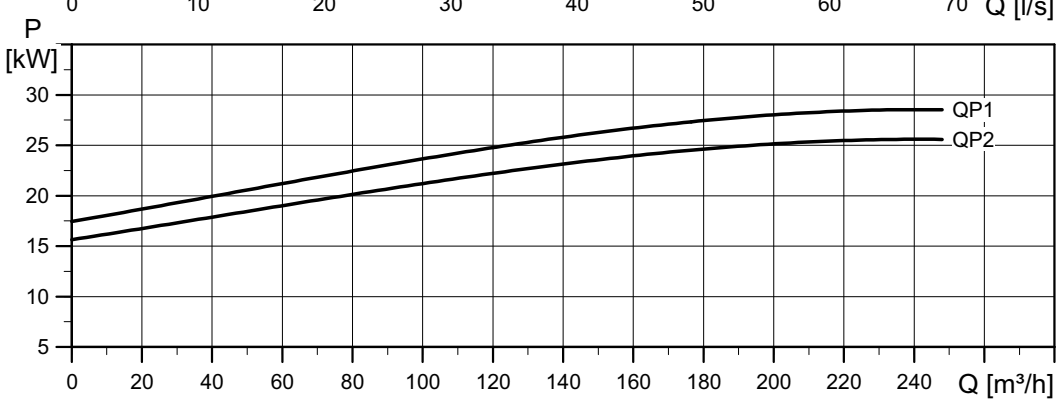
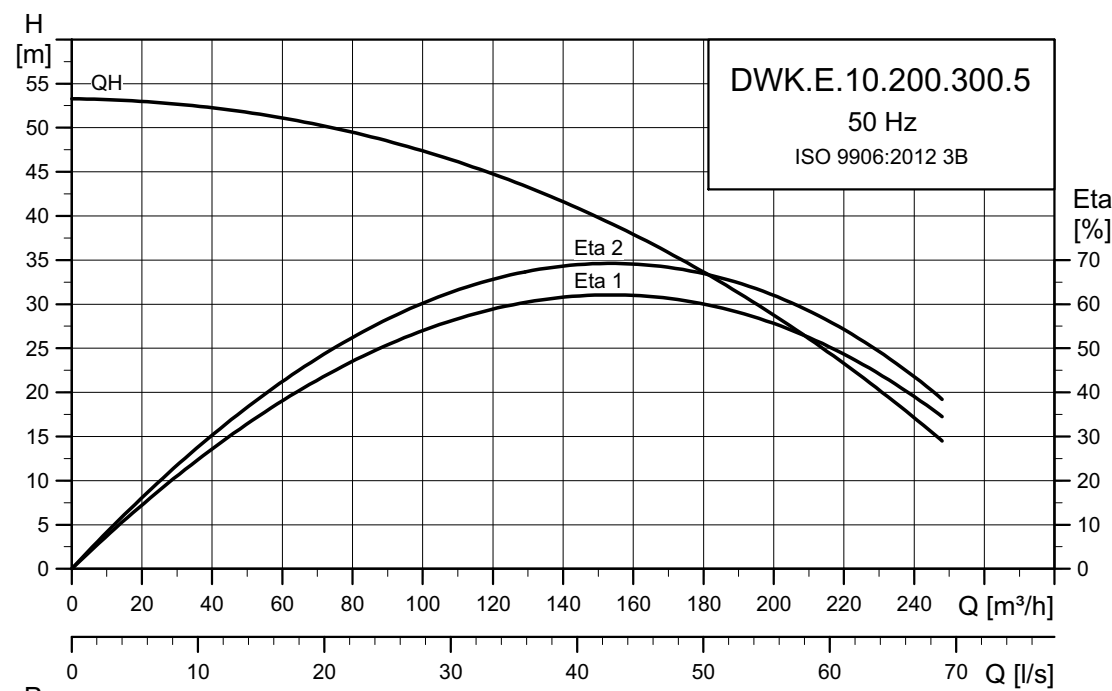
Electrical data

Pump type	Voltage [V]	P2 [kW]	min ⁻¹	Starting method	I _N [A]	η _{motor} [%]			Cos φ			Cable
						1/2	3/4	1/1	1/2	3/4	1/1	
DWK.E.10.150.550.5.1D	3 x 380-415 D	55	2850	Y/D	105	88.1	90.0	90.6	0.756	0.833	0.865	7 x 25.0 mm ² + 6 x 1.5 mm ²
DWK.E.10.150.550.5.1D.R	3 x 380-415 D	55	2850	Y/D	105	88.1	90.0	90.6	0.756	0.833	0.865	7 x 25.0 mm ² + 6 x 1.5 mm ²
DWK.E.10.150.550.5.1E	3 x 220-240 D	55	2850	Y/D	184	88.1	90.0	90.6	0.756	0.833	0.865	7 x 35.0 mm ² + 6 x 1.5 mm ²
DWK.E.10.150.550.5.1E.R	3 x 220-240 D	55	2850	Y/D	184	88.1	90.0	90.6	0.756	0.833	0.865	7 x 35.0 mm ² + 6 x 1.5 mm ²

Pump data

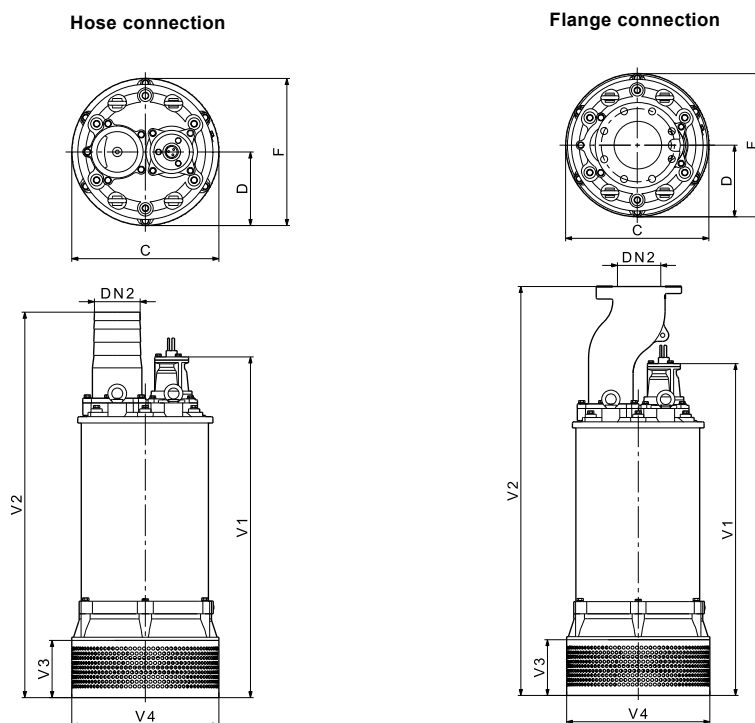
Pump type	Impeller type	Max. solids size [mm]	Max. number of starts per hour	Max. installation depth [m]	Enclosure class	Insulation class	Max. liquid temperature [°C]	pH
DWK.E.10.150.550	Enclosed	10	18	25	68	F	40	4-10

DWK.E.10.200.300.5



TM04 2901 4514

Dimensional sketches



TM04 4148 0909 - TM04 4150 0909

Dimensions

Pump type	Connection type	Dimensions [mm]								Weight* [kg]
		C	D	DN2	F	V1	V2	V3	V4	
DWK.E.10.200.300.5	Hose	432	235	200	470	1318	1192	183	470	444
	Flange	432	235	200	470	1318	1342	183	470	462

* With 10 m cable.

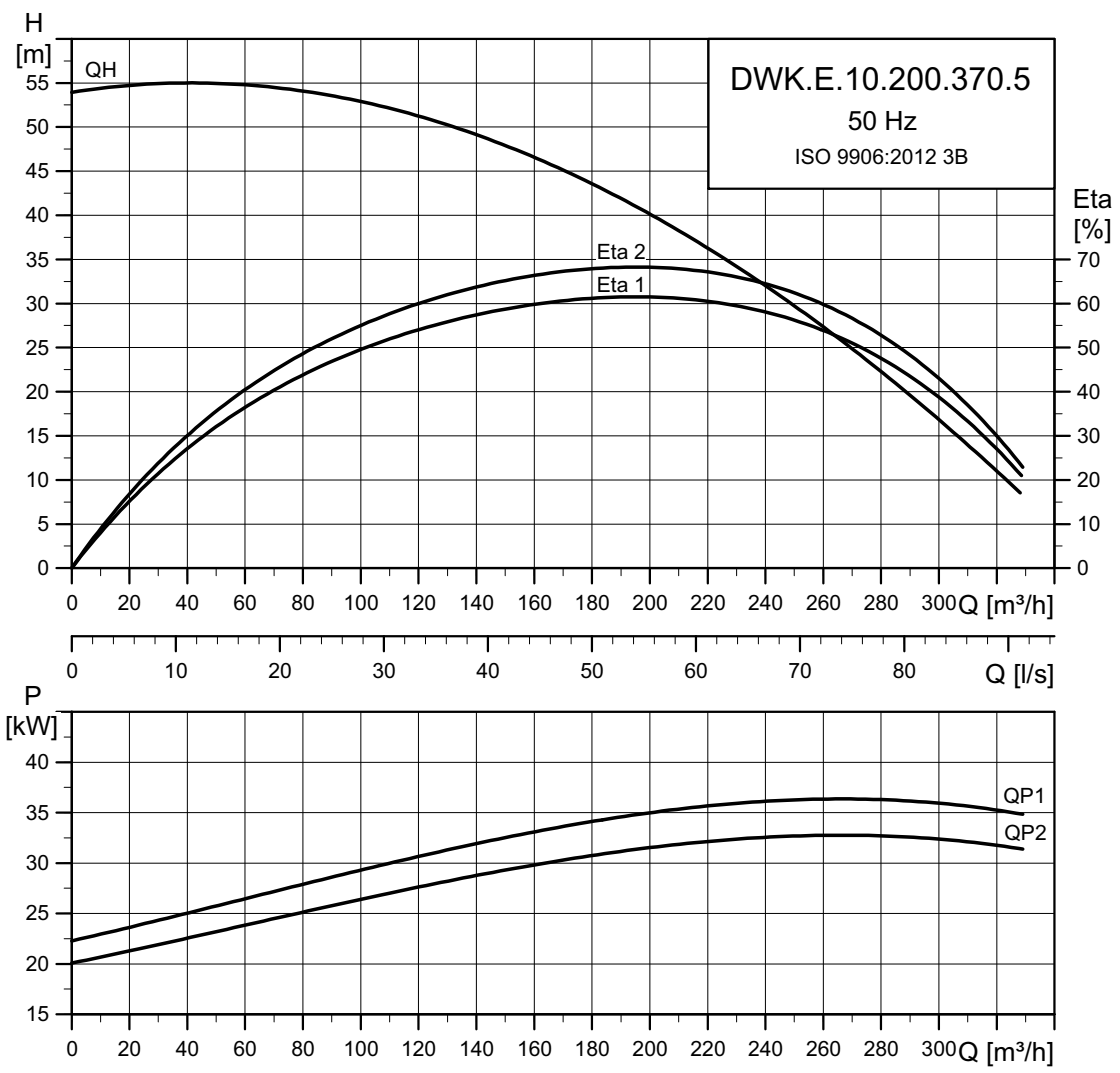
Electrical data

Pump type	Voltage [V]	P2 [kW]	min ⁻¹	Starting method	I _N [A]	η _{motor} [%]			Cos φ			Cable
						1/2	3/4	1/1	1/2	3/4	1/1	
DWK.E.10.200.300.5.1D	3 x 380-415 D	30	2850	Y/D	59	87.2	89.1	89.7	0.751	0.828	0.86	7 x 16.0 mm ² + 6 x 1.5 mm ²
DWK.E.10.200.300.5.1D.R	3 x 380-415 D	30	2850	Y/D	59	87.2	89.1	89.7	0.751	0.828	0.86	7 x 16.0 mm ² + 6 x 1.5 mm ²
DWK.E.10.200.300.5.1E	3 x 220-240 D	30	2850	Y/D	102	87.2	89.1	89.7	0.751	0.828	0.86	7 x 25.0 mm ² + 6 x 1.5 mm ²
DWK.E.10.200.300.5.1E.R	3 x 220-240 D	30	2850	Y/D	102	87.2	89.1	89.7	0.751	0.828	0.86	7 x 25.0 mm ² + 6 x 1.5 mm ²

Pump data

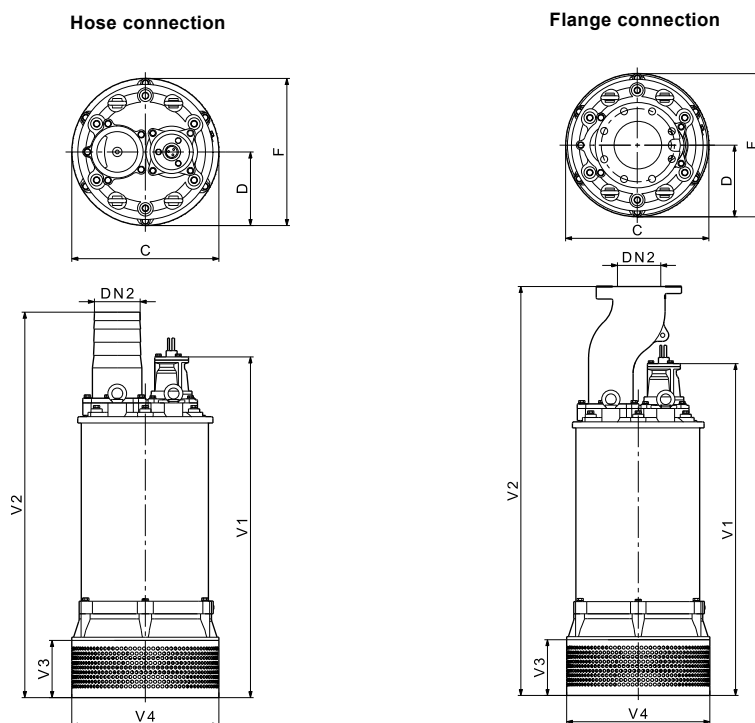
Pump type	Impeller type	Max. solids size [mm]	Max. number of starts per hour	Max. installation depth [m]	Enclosure class	Insulation class	Max. liquid temperature [°C]	pH
DWK.E.10.200.300	Enclosed	10	18	25	68	F	40	4-10

DWK.E.10.200.370.5



TM04 2902 4514

Dimensional sketches



TM04 4148 0909 - TM04 4150 0909

Dimensions

Pump type	Connection type	Dimensions [mm]								Weight* [kg]
		C	D	DN2	F	V1	V2	V3	V4	
DWK.E.10.200.370.5	Hose	532	306	200	612	1318	1411	220	557	839
	Flange	532	306	200	612	1318	1561	220	557	841

* With 10 m cable.

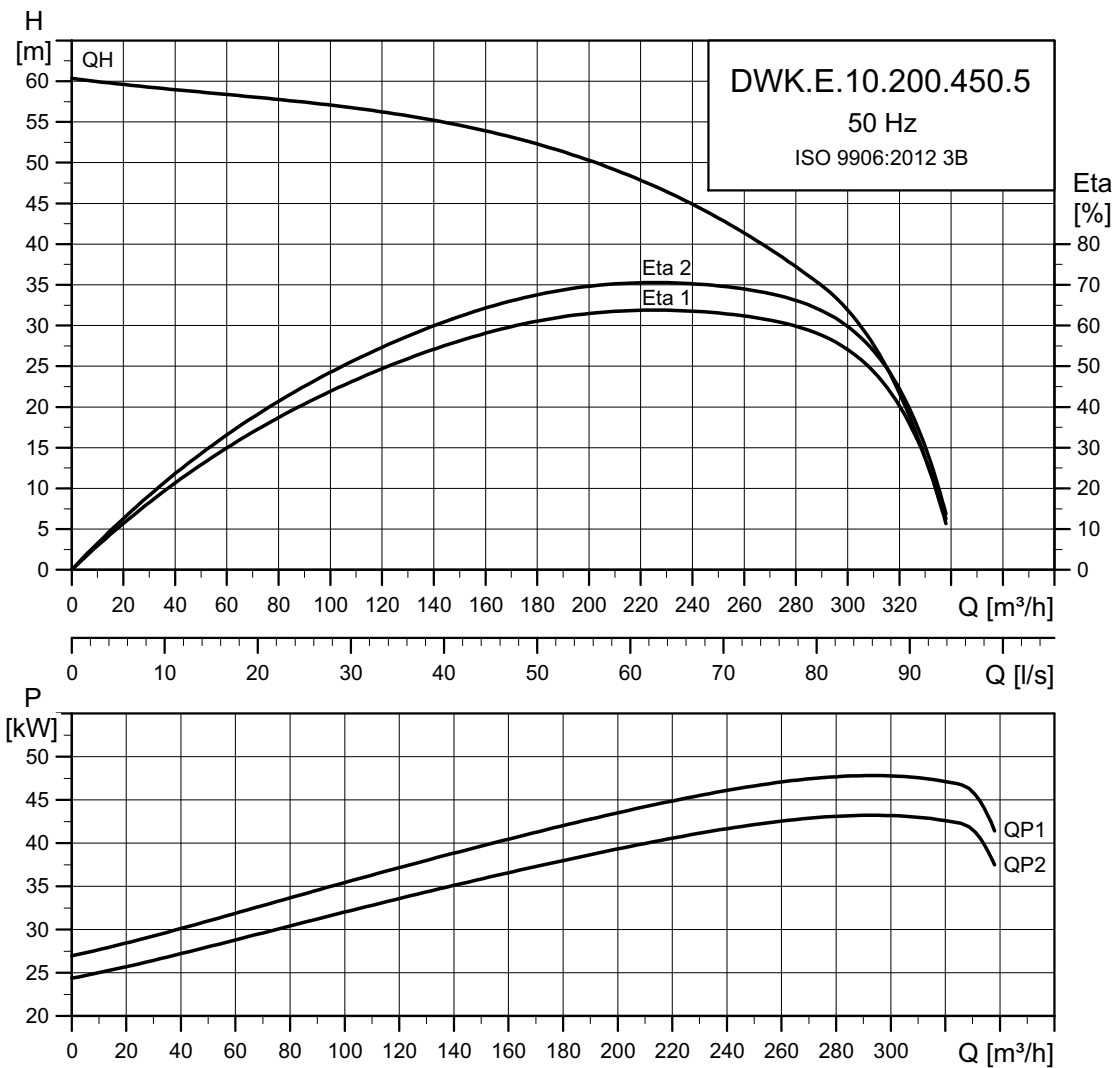
Electrical data

Pump type	Voltage [V]	P2 [kW]	min ⁻¹	Starting method	I _N			η _{motor} [%]			Cos φ			Cable
					[A]	1/2	3/4	1/1	1/2	3/4	1/1			
DWK.E.10.200.370.5.1D	3 x 380-415 D	37	2850	Y/D	72	87.6	89.5	90.1	0.751	0.828	0.86	7 x 16.0 mm ² + 6 x 1.5 mm ²		
DWK.E.10.200.370.5.1D.R	3 x 380-415 D	37	2850	Y/D	72	87.6	89.5	90.1	0.751	0.828	0.86	7 x 16.0 mm ² + 6 x 1.5 mm ²		
DWK.E.10.200.370.5.1E	3 x 220-240 D	37	2850	Y/D	125	87.6	89.5	90.1	0.751	0.828	0.86	7 x 25.0 mm ² + 6 x 1.5 mm ²		
DWK.E.10.200.370.5.1E.R	3 x 220-240 D	37	2850	Y/D	125	87.6	89.5	90.1	0.751	0.828	0.86	7 x 25.0 mm ² + 6 x 1.5 mm ²		

Pump data

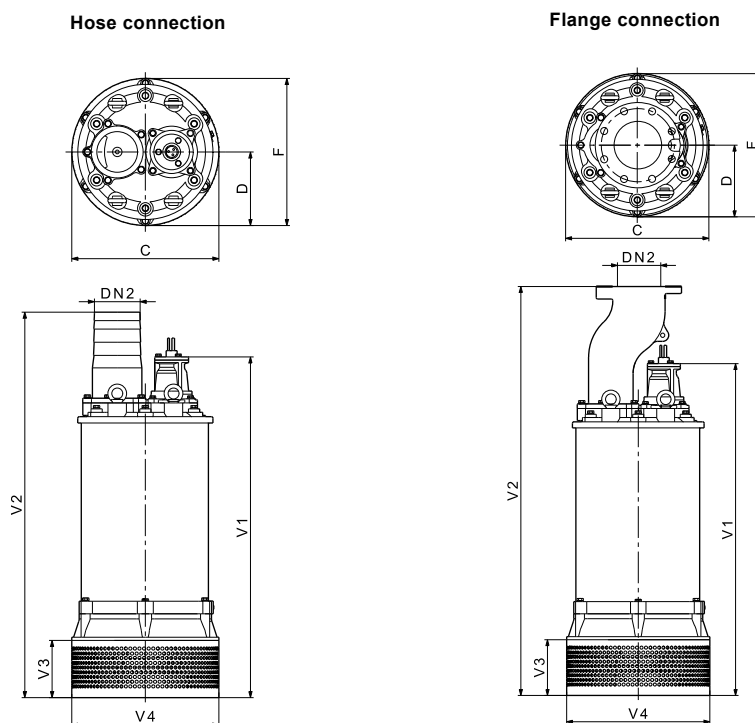
Pump type	Impeller type	Max. solids size [mm]	Max. number of starts per hour	Max. installation depth [m]	Enclosure class	Insulation class	Max. liquid temperature [°C]	pH
DWK.E.10.200.370	Enclosed	10	18	25	68	F	40	4-10

DWK.E.10.200.450.5



TM04 2903 4514

Dimensional sketches



TM04 4148 0909 - TM04 4150 0909

Dimensions

Pump type	Connection type	Dimensions [mm]								Weight* [kg]
		C	D	DN2	F	V1	V2	V3	V4	
DWK.E.10.200.450.5	Hose	532	306	200	612	1318	1411	220	557	848
	Flange	532	306	200	612	1318	1561	220	557	860

* With 10 m cable.

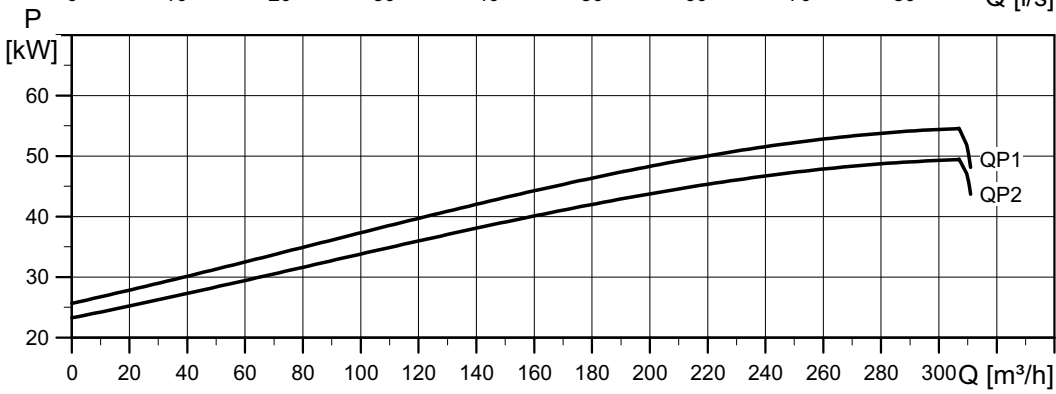
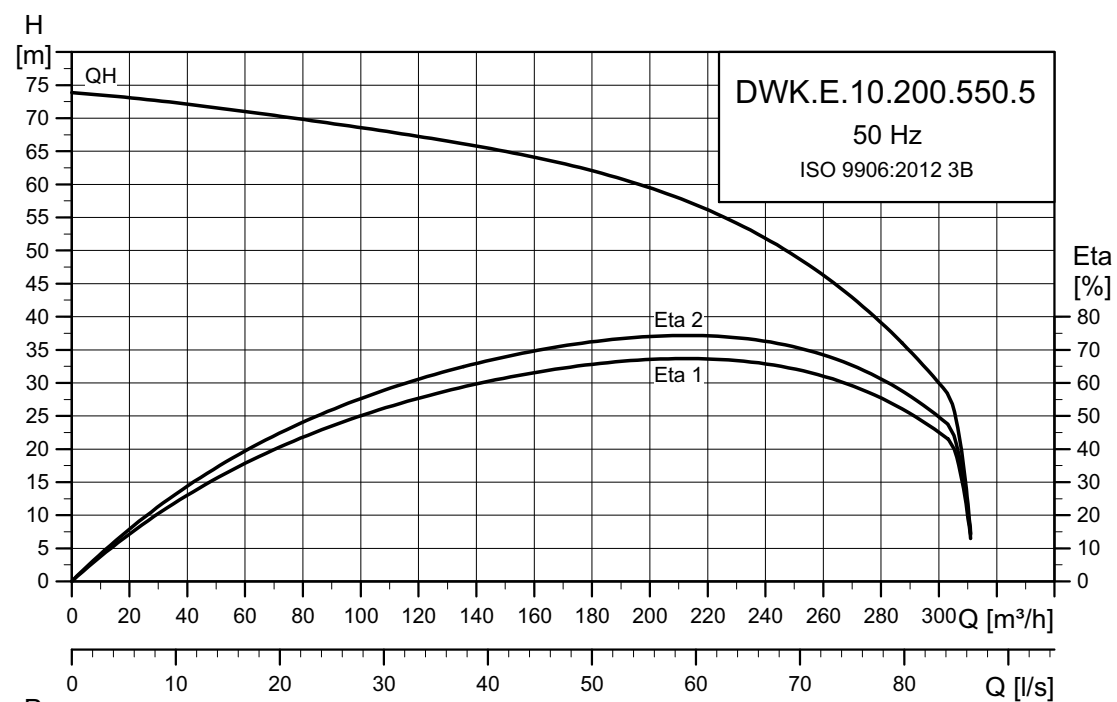
Electrical data

Pump type	Voltage [V]	P2 [kW]	min ⁻¹	Starting method	I _N			η _{motor} [%]			Cos φ			Cable
					[A]	1/2	3/4	1/1	1/2	3/4	1/1			
DWK.E.10.200.450.5.1D	3 x 380-415 D	45	2850	Y/D	87	87.9	89.8	90.4	0.756	0.833	0.865	7 x 16.0 mm ² + 6 x 1.5 mm ²		
DWK.E.10.200.450.5.1D.R	3 x 380-415 D	45	2850	Y/D	87	87.9	89.8	90.4	0.756	0.833	0.865	7 x 16.0 mm ² + 6 x 1.5 mm ²		
DWK.E.10.200.450.5.1E	3 x 220-240 D	45	2850	Y/D	151	87.9	89.8	90.4	0.756	0.833	0.865	7 x 35.0 mm ² + 6 x 1 mm ²		
DWK.E.10.200.450.5.1E.R	3 x 220-240 D	45	2850	Y/D	151	87.9	89.8	90.4	0.756	0.833	0.865	7 x 35.0 mm ² + 6 x 1 mm ²		

Pump data

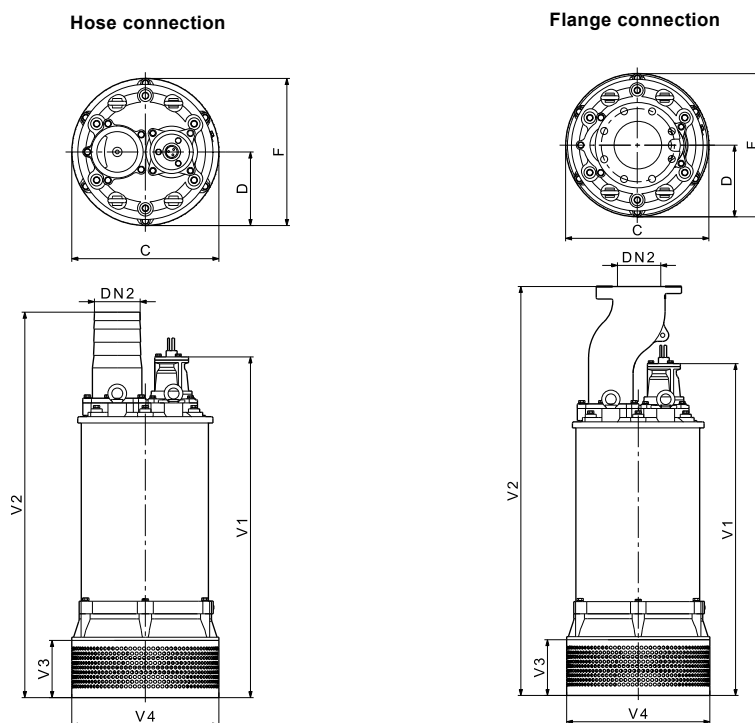
Pump type	Impeller type	Max. solids size [mm]	Max. number of starts per hour	Max. installation depth [m]	Enclosure class	Insulation class	Max. liquid temperature [°C]	pH
DWK.E.10.200.450	Enclosed	10	18	25	68	F	40	4-10

DWK.E.10.200.550.5



TM04 2904 4514

Dimensional sketches



TM04 4148 0909 - TM04 4150 0909

Dimensions

Pump type	Connection type	Dimensions [mm]								Weight* [kg]
		C	D	DN2	F	V1	V2	V3	V4	
DWK.E.10.200.550.5	Hose	532	306	200	612	1318	1411	220	557	911
	Flange	532	306	200	612	1318	1561	220	557	923

* With 10 m cable.

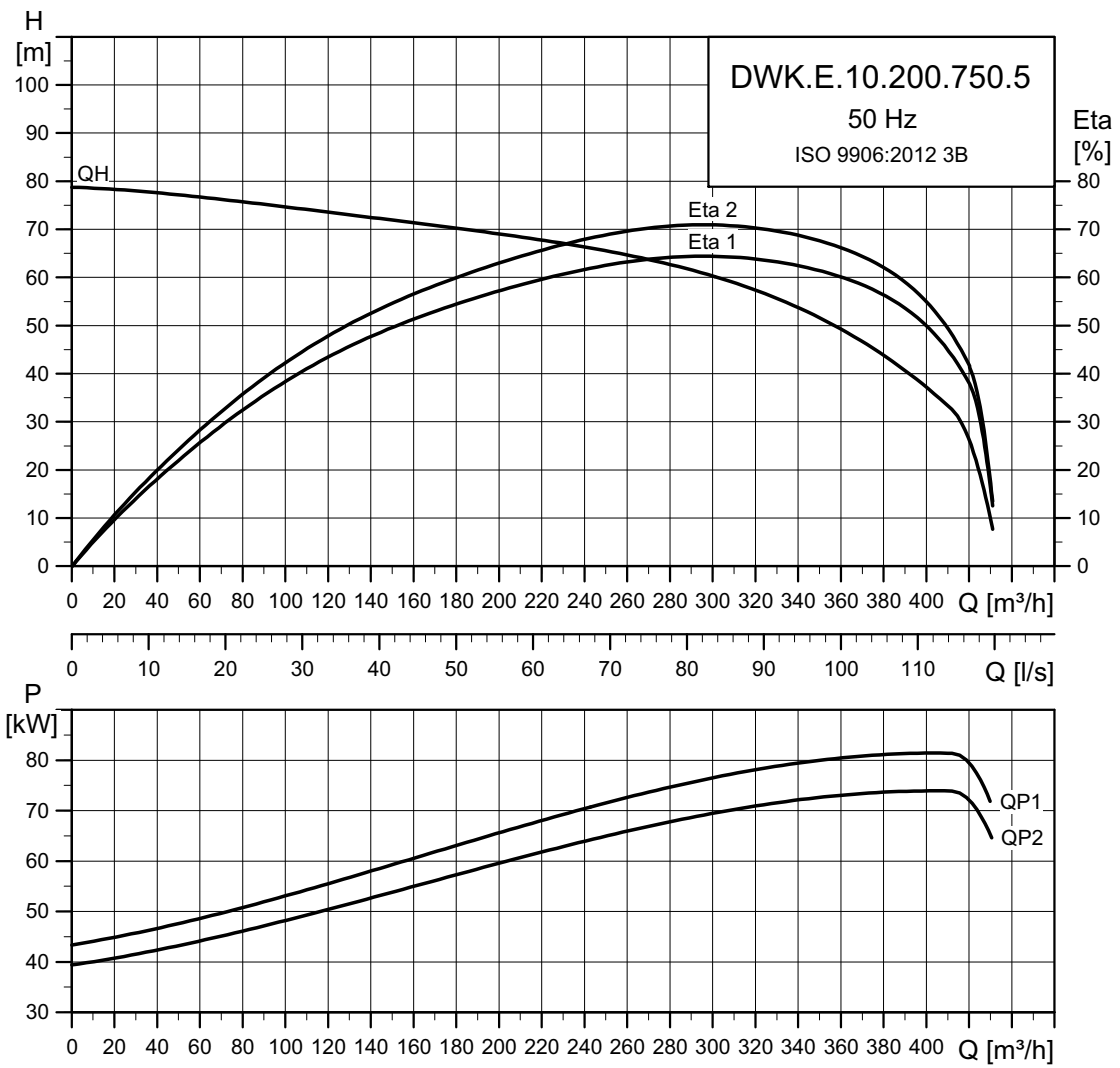
Electrical data

Pump type	Voltage [V]	P2 [kW]	min ⁻¹	Starting method	I _N [A]	η _{motor} [%]			Cos φ			Cable
						1/2	3/4	1/1	1/2	3/4	1/1	
DWK.E.10.200.550.5.1D	3 x 380-415 D	55	2850	Y/D	105	88.1	90.0	90.6	0.756	0.833	0.865	7 x 25.0 mm ² + 6 x 1.5 mm ²
DWK.E.10.200.550.5.1D.R	3 x 380-415 D	55	2850	Y/D	105	88.1	90.0	90.6	0.756	0.833	0.865	7 x 25.0 mm ² + 6 x 1.5 mm ²
DWK.E.10.200.550.5.1E	3 x 220-240 D	55	2850	Y/D	184	88.1	90.0	90.6	0.756	0.833	0.865	7 x 35.0 mm ² + 6 x 1.5 mm ²
DWK.E.10.200.550.5.1E.R	3 x 220-240 D	55	2850	Y/D	184	88.1	90.0	90.6	0.756	0.833	0.865	7 x 35.0 mm ² + 6 x 1.5 mm ²

Pump data

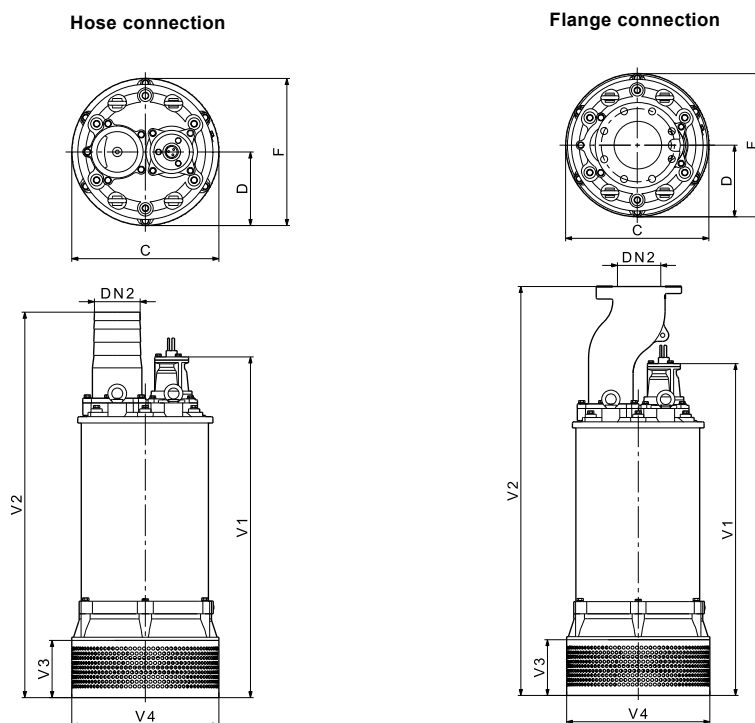
Pump type	Impeller type	Max. solids size [mm]	Max. number of starts per hour	Max. installation depth [m]	Enclosure class	Insulation class	Max. liquid temperature [°C]	pH
DWK.E.10.200.550	Enclosed	10	18	25	68	F	40	4-10

DWK.E.10.200.750.5



TM05 2905 4514

Dimensional sketches



TM04 4148 0909 - TM04 4150 0909

Dimensions

Pump type	Connection type	Dimensions [mm]								Weight* [kg]
		C	D	DN2	F	V1	V2	V3	V4	
DWK.E.10.200.750.5	Hose	532	306	200	612	1418	1511	220	557	961
	Flange	532	306	200	612	1418	1661	220	557	973

* With 10 m cable.

Electrical data

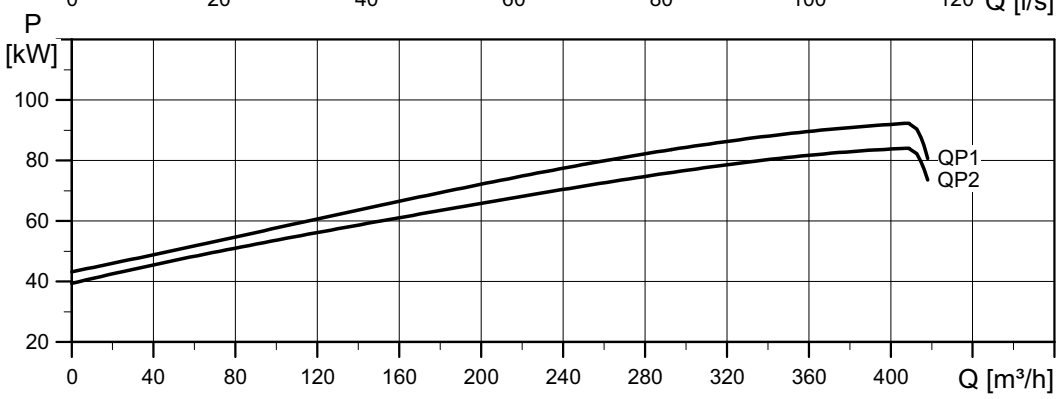
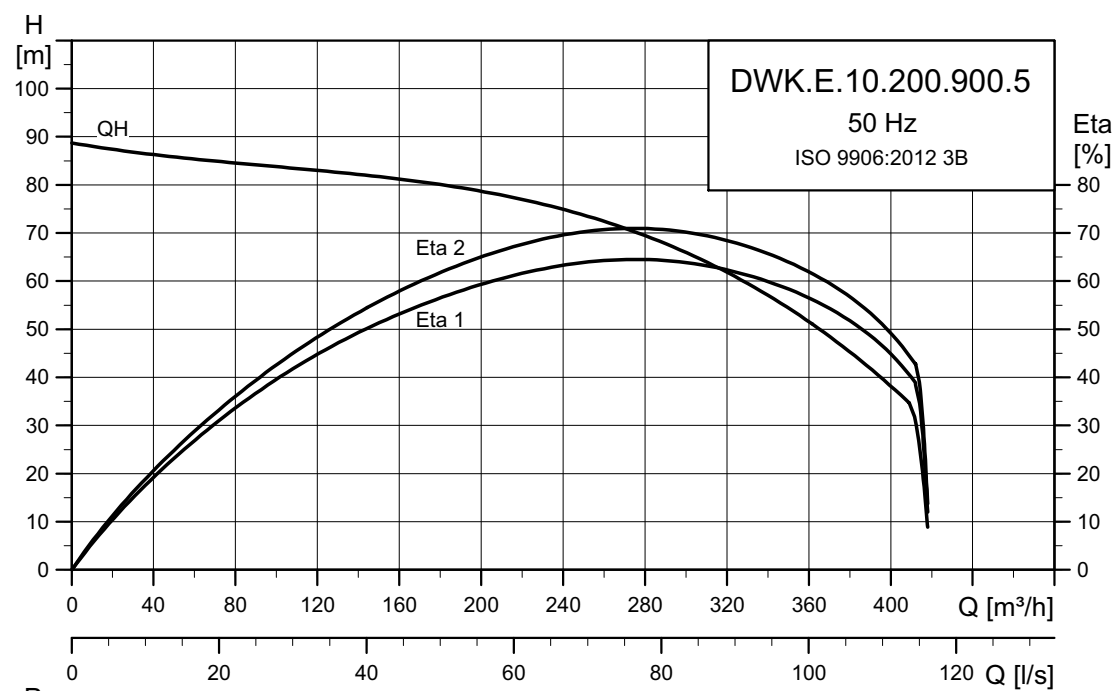
Pump type	Voltage [V]	P2 [kW]	min ⁻¹	Starting method	I _N [A]	η _{motor} [%]			Cos φ			Cable
						1/2	3/4	1/1	1/2	3/4	1/1	
DWK.E.10.200.750.5.1D	3 x 380-415 D	75	2850	Y/D	144	88.2	90.2	90.8	0.76	0.838	0.87	7 x 35.0 mm ² + 6 x 1.5 mm ²
DWK.E.10.200.750.5.1D.R	3 x 380-415 D	75	2850	Y/D	144	88.2	90.2	90.8	0.76	0.838	0.87	7 x 35.0 mm ² + 6 x 1.5 mm ²
DWK.E.10.200.750.5.1E	3 x 220-240 D	75	2850	Y/D	249	88.2	90.2	90.8	0.76	0.838	0.87	4 x 50.0 mm ² + 4 x 1.5 mm ² , 2EA *
DWK.E.10.200.750.5.1E.R	3 x 220-240 D	75	2850	Y/D	249	88.2	90.2	90.8	0.76	0.838	0.87	4 x 50.0 mm ² + 4 x 1.5 mm ² , 2EA *

* 2EA: two cable entries in the pump.

Pump data

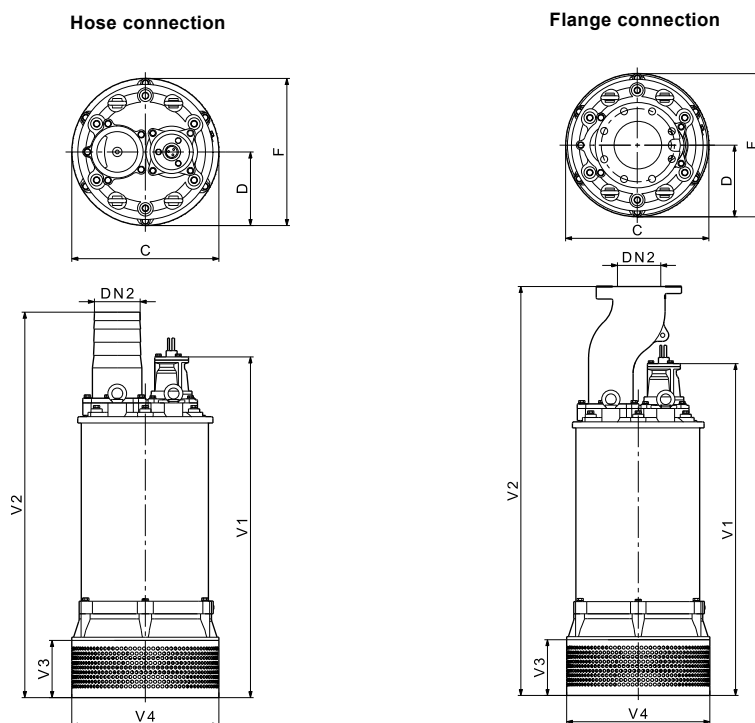
Pump type	Impeller type	Max. solids size [mm]	Max. number of starts per hour	Max. installation depth [m]	Enclosure class	Insulation class	Max. liquid temperature [°C]	pH
DWK.E.10.200.750	Enclosed	10	18	25	68	F	40	4-10

DWK.E.10.200.900.5



TM04 2906 4514

Dimensional sketches



TM04 4148 0909 - TM04 4150 0909

Dimensions

Pump type	Connection type	Dimensions [mm]								Weight* [kg]
		C	D	DN2	F	V1	V2	V3	V4	
DWK.E.10.200.900.5	Hose	532	306	200	612	1418	1511	220	557	1016
	Flange	532	306	200	612	1418	1661	220	557	1028

* With 10 m cable.

Electrical data

Pump type	Voltage [V]	P2 [kW]	min ⁻¹	Starting method	I _N [A]	η _{motor} [%]			Cos φ			Cable
						1/2	3/4	1/1	1/2	3/4	1/1	
DWK.E.10.200.900.5.1D	3 x 380-415 D	90	2850	Y/D	172	88.5	90.5	91.1	0.76	0.838	0.87	4 x 50.0 mm ² + 4 x 1.5 mm ² , 2EA *
DWK.E.10.200.900.5.1D.R	3 x 380-415 D	90	2850	Y/D	172	88.5	90.5	91.1	0.76	0.838	0.87	4 x 50.0 mm ² + 4 x 1.5 mm ² , 2EA *

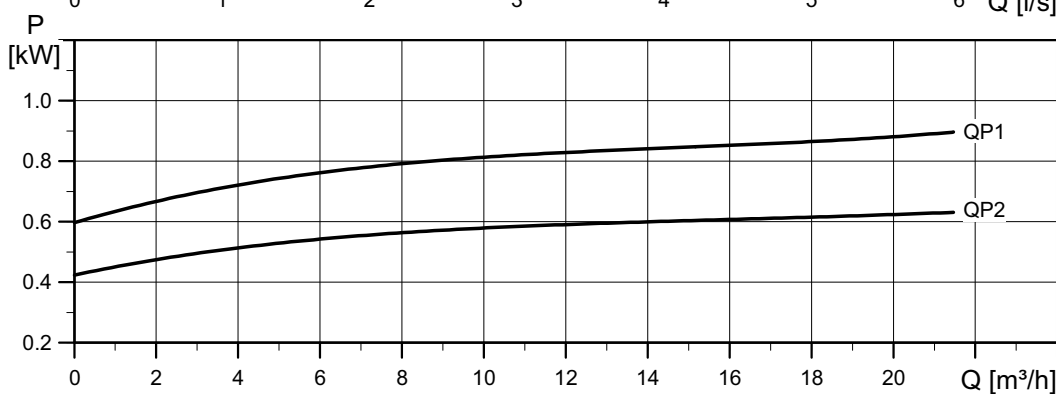
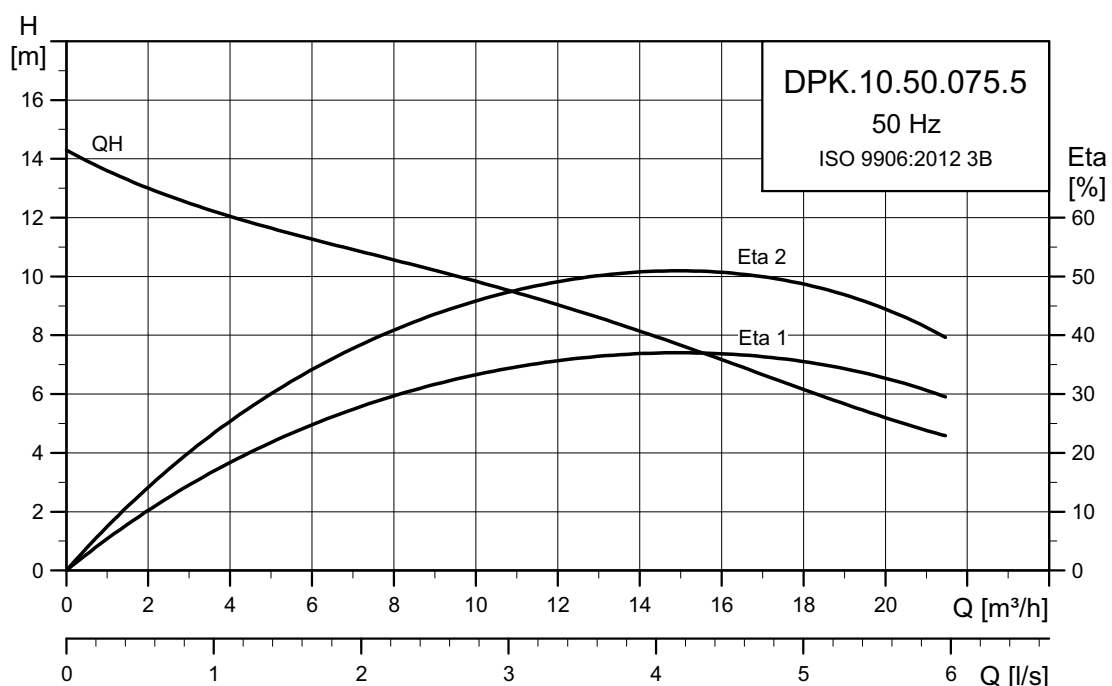
* 2EA = two cable entries in pump.

Pump data

Pump type	Impeller type	Max. solids size [mm]	Max. number of starts per hour	Max. installation depth [m]	Enclosure class	Insulation class	Max. liquid temperature [°C]	pH
DWK.E.10.200.900	Enclosed	10	18	25	68	F	40	4-10

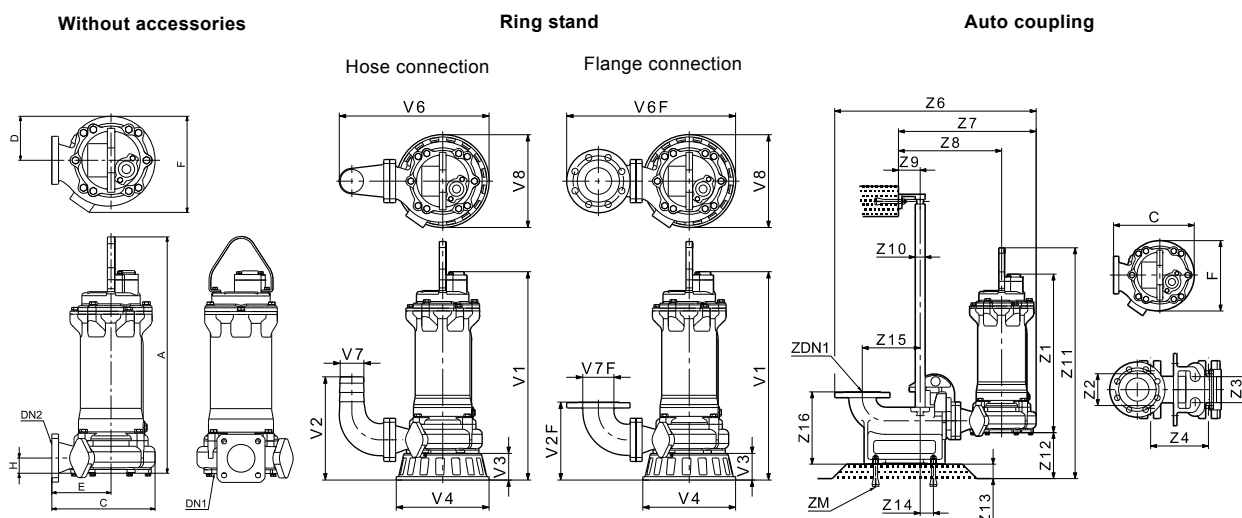
DPK

DPK.10.50.075.5



TM04 2875 4514

Dimensional sketches



TM04 4099 0709 - TM04 4100 0709 - TM04 4101 0809

Dimensions

Pump type	Installation type	Dimensions [mm]									Weight* [kg]
		A	C	D	E	F	H	DN1	DN2		
DPK.10.50.075.5	Without accessories	398	226	88	127	196	40	48	50	31	

Pump type	Installation type	Dimensions [mm]									
		V1	V2	V2F	V3	V4	V6	V6F	V7	V7F	V8
DPK.10.50.075.5	Ring stand	425	232	202	70	223	354	384	50	50	223

Pump type	Installation type	Dimensions [mm]																			
		C	F	Z1	Z2	Z3	Z4	Z6	Z7	Z8	Z9	Z10	Z11	Z12	Z13	Z14	Z15	Z16	ZDN1	ZKN	ZM
DPK.10.50.075.5	Auto coupling	226	196	355	120	70	120	569	396	284	50	1"	558	160	50	28	140	250	50	4 x M16 x 200	

* With 10 m cable.

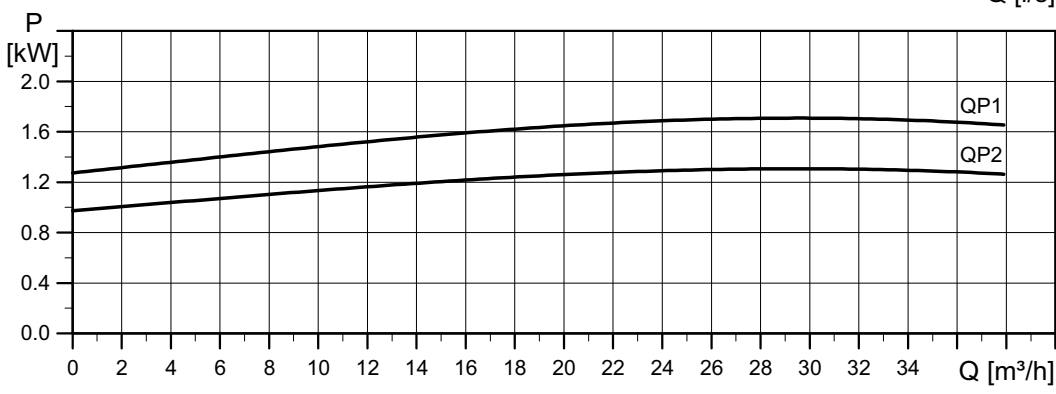
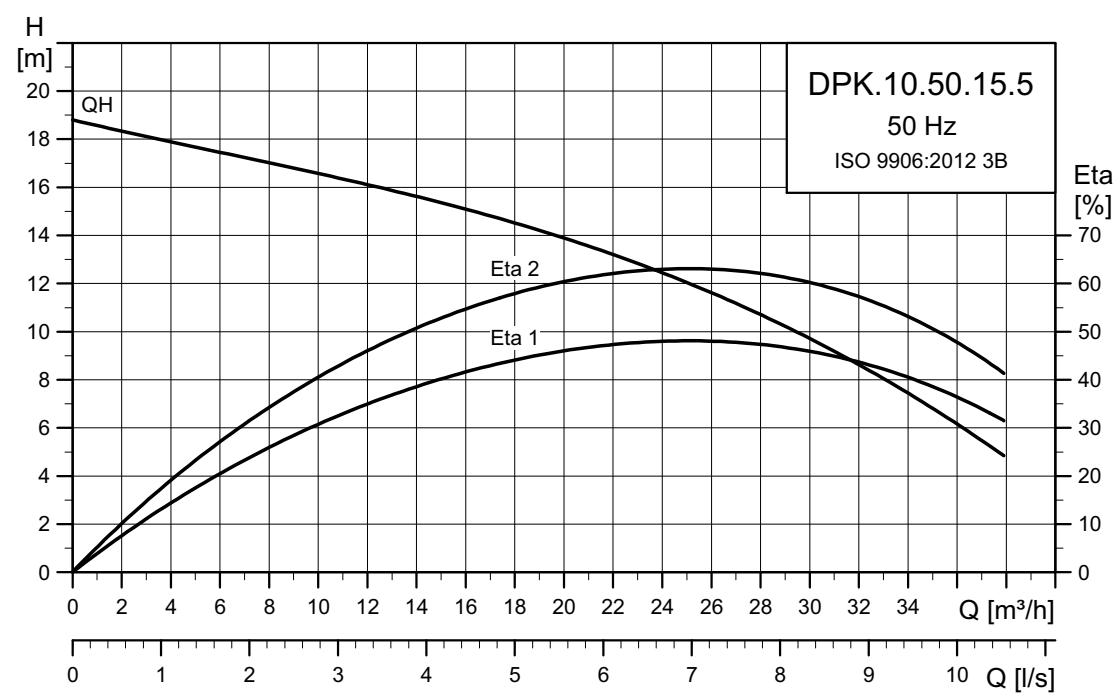
Electrical data

Pump type	Voltage [V]	P2 [kW]	min ⁻¹	Starting method	I _N [A]	η _{motor} [%]			Cos φ			Cable
						1/2	3/4	1/1	1/2	3/4	1/1	
DPK.10.50.075.5.0D	3 x 380-415 Y	0.75	2850	DOL	2	72.5	77.5	79.2	0.72	0.82	0.88	4 x 1.5 mm ² + 2 x 1 mm ²
DPK.10.50.075.5.0E	3 x 220-240 D	0.75	2850	DOL	3.5	72.5	77.5	79.2	0.72	0.82	0.88	4 x 1.5 mm ² + 2 x 1 mm ²

Pump data

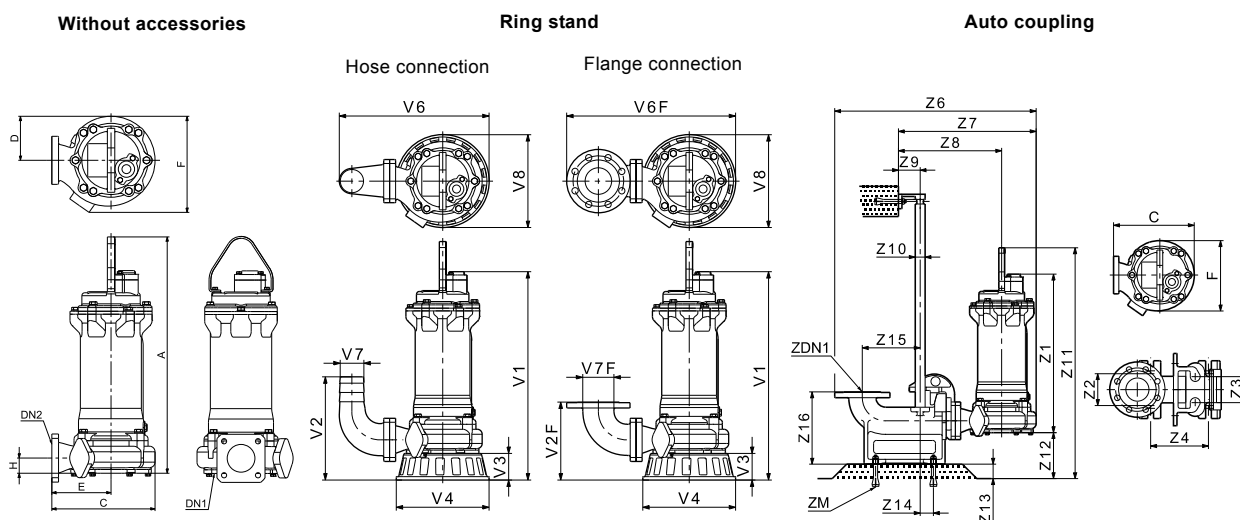
Pump type	Impeller type	Max. solids size [mm]	Max. number of starts per hour	Max. installation depth [m]	Enclosure class	Insulation class	Max. liquid temperature [°C]	pH
DPK.10.50.075.5	Semi-open	10	30	25	68	F	40	4-10

DPK.10.50.15.5



TM04 2876 4514

Dimensional sketches



TM04 4099 0709 - TM04 4100 0709 - TM04 4101 0809

Dimensions

Pump type	Installation type	Dimensions [mm]									Weight* [kg]
		A	C	D	E	F	H	DN1	DN2		
DPK.10.50.15.5	Without accessories	428	226	88	127	196	40	48	50	35	

Pump type	Installation type	Dimensions [mm]									
		V1	V2	V2F	V3	V4	V6	V6F	V7	V7F	V8
DPK.10.50.15.5	Ring stand	452	232	202	70	223	354	384	50	50	223

Pump type	Installation type	Dimensions [mm]																			
		C	F	Z1	Z2	Z3	Z4	Z6	Z7	Z8	Z9	Z10	Z11	Z12	Z13	Z14	Z15	Z16	ZDN1	ZKN	ZM
DPK.10.50.15.5	Auto coupling	226	196	382	120	70	120	569	396	284	50	1"	588	160	50	28	140	250	50	4 x M16 x 200	

* With 10 m cable.

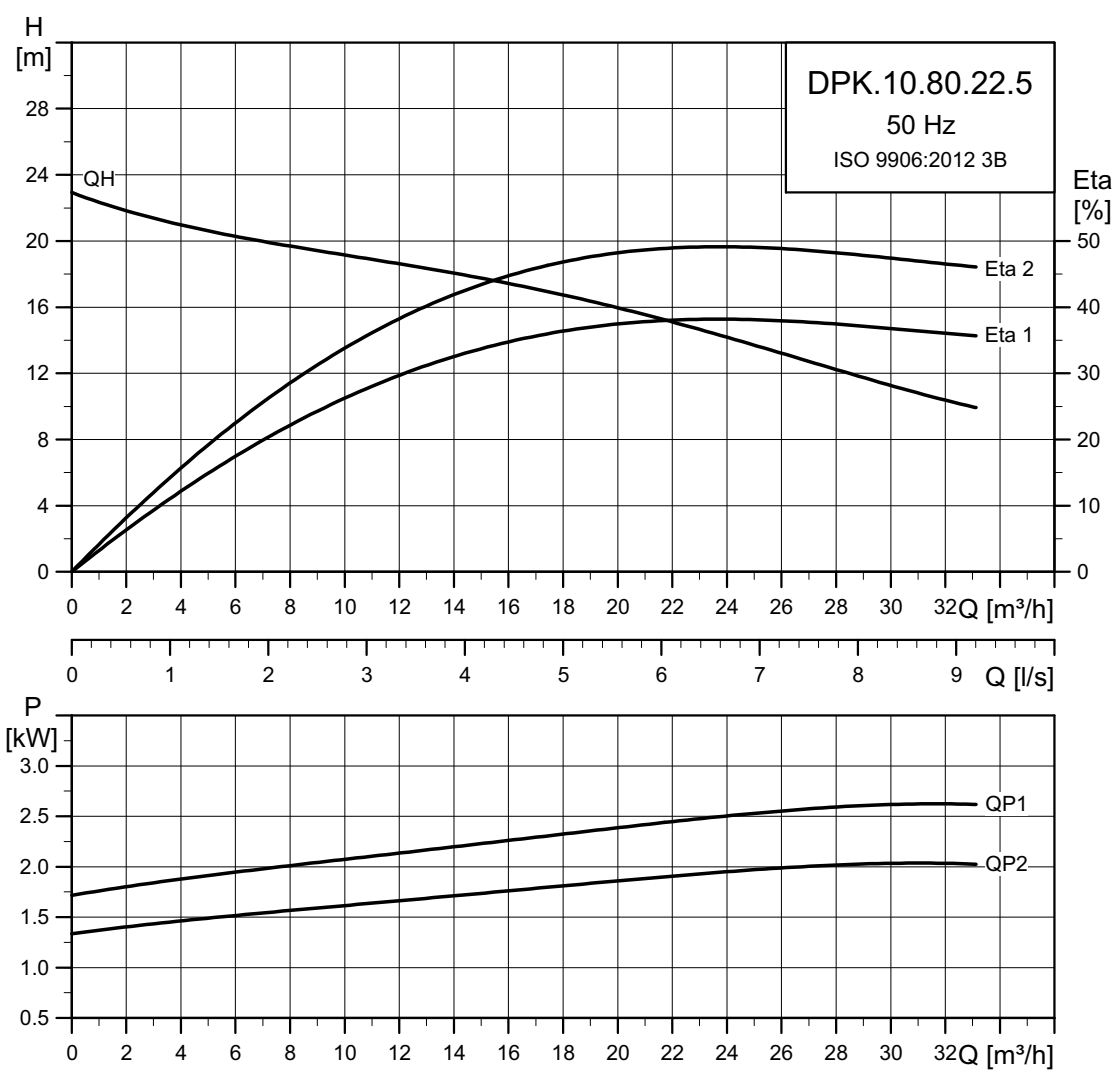
Electrical data

Pump type	Voltage [V]	P2 [kW]	min ⁻¹	Starting method	I _N [A]	η _{motor} [%]			Cos φ			Cable
						1/2	3/4	1/1	1/2	3/4	1/1	
DPK.10.50.15.5.0D	3 x 380-415 Y	1.5	2850	DOL	3.6	78.0	82.1	83.0	0.68	0.78	0.85	4 x 1.5 mm ² + 2 x 1 mm ²
DPK.10.50.15.5.0E	3 x 220-240 D	1.5	2850	DOL	6.2	78.0	82.1	83.0	0.68	0.78	0.85	4 x 1.5 mm ² + 2 x 1 mm ²

Pump data

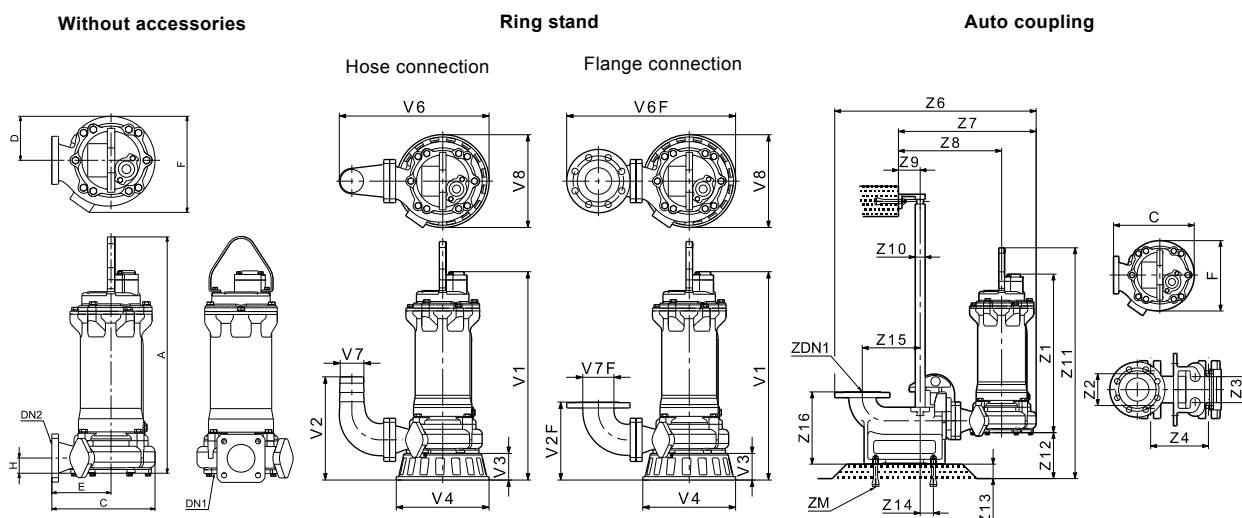
Pump type	Impeller type	Max. solids size [mm]	Max. number of starts per hour	Max. installation depth [m]	Enclosure class	Insulation class	Max. liquid temperature [°C]	pH
DPK.10.50.15.5	Semi-open	10	30	25	68	F	40	4-10

DPK.10.80.22.5



TM04 2877 4514

Dimensional sketches



TM04 4099 0709 - TM04 4100 0709 - TM04 4101 0809

Dimensions

Pump type	Installation type	Dimensions [mm]								Weight* [kg]
		A	C	D	E	F	H	DN1	DN2	
DPK.10.80.22.5	Without accessories	456	246	102	145	212	46	48	80	40

Pump type	Installation type	Dimensions [mm]									
		V1	V2	V2F	V3	V4	V6	V6F	V7	V7F	V8
DPK.10.80.22.5	Ring stand	483	306	230	70	235	415	477	80	80	235

Pump type	Installation type	Dimensions [mm]																		
		C	F	Z1	Z2	Z3	Z4	Z6	Z7	Z8	Z9	Z10	Z11	Z12	Z13	Z14	Z15	Z16	ZDN1	ZKN
DPK.10.80.22.5	Auto coupling	246	212	413	130	90	200	685	460	342	75	1"	610	154	50	46	200	250	80	4 x M16 x 200

* With 10 m cable.

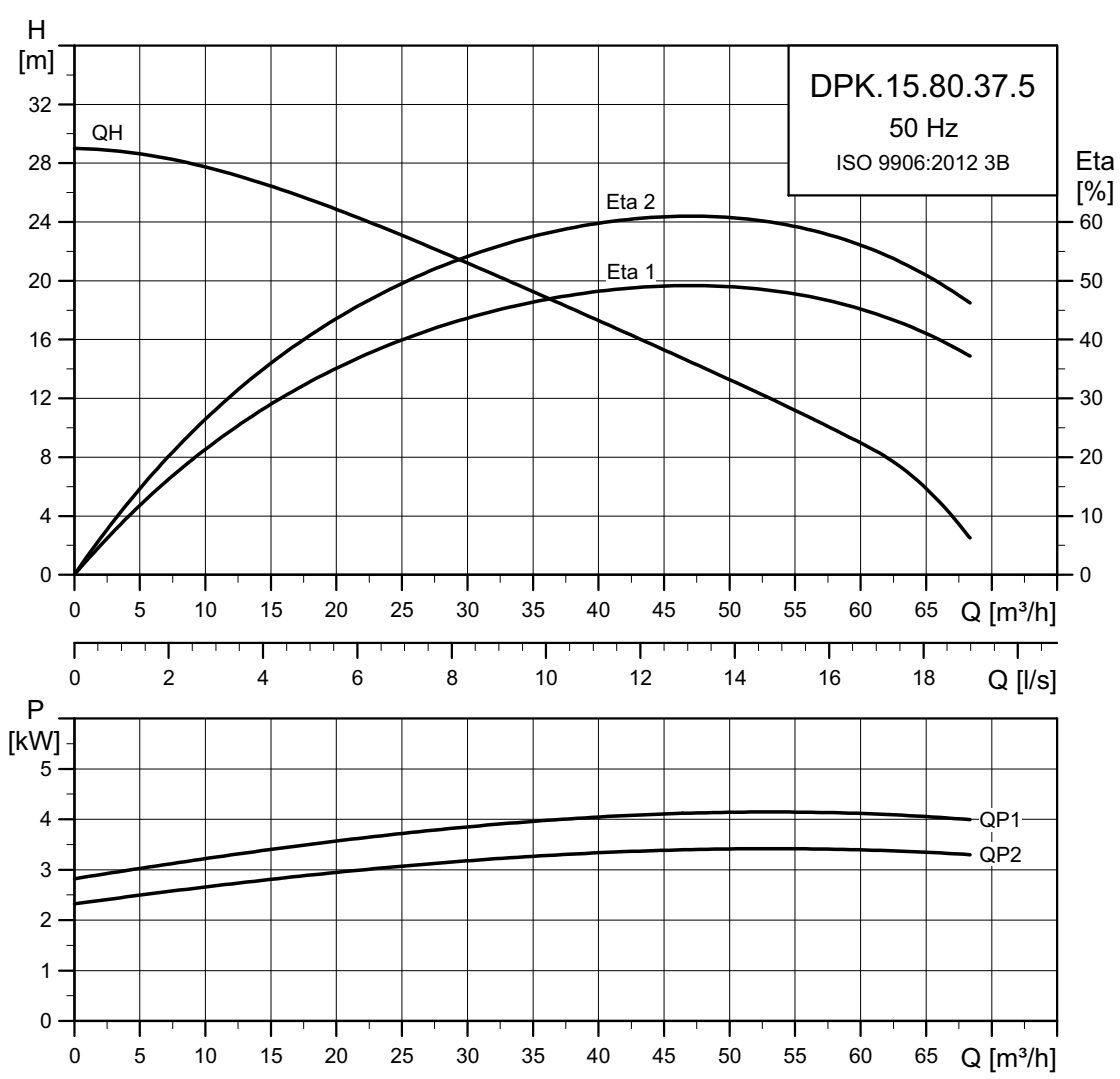
Electrical data

Pump type	Voltage [V]	P2 [kW]	min ⁻¹	Starting method	I _N [A]	η _{motor} [%]			Cos φ			Cable
						1/2	3/4	1/1	1/2	3/4	1/1	
DPK.10.80.22.5.0D	3 x 380-415 Y	2.2	2850	DOL	5.1	79.8	83.1	86.1	0.71	0.82	0.89	4 x 1.5 mm ² + 2 x 1 mm ²
DPK.10.80.22.5.0E	3 x 220-240 D	2.2	2850	DOL	8.9	79.8	83.1	86.1	0.71	0.82	0.89	4 x 1.5 mm ² + 2 x 1 mm ²

Pump data

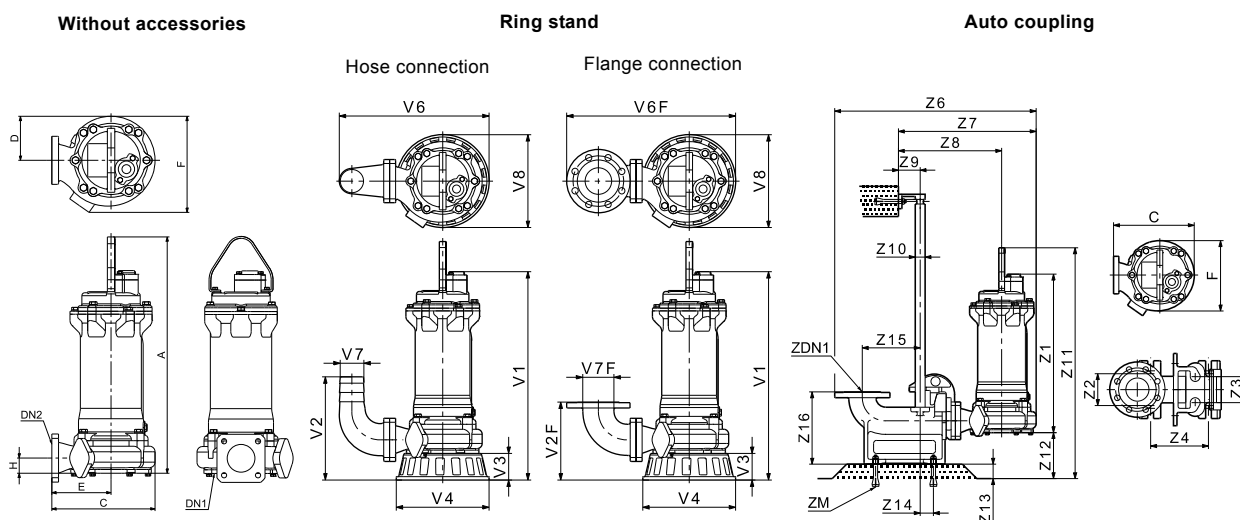
Pump type	Impeller type	Max. solids size [mm]	Max. number of starts per hour	Max. installation depth [m]	Enclosure class	Insulation class	Max. liquid temperature [°C]	pH
DPK.10.80.22	Semi-open	10	30	25	68	F	40	4-10

DPK.15.80.37.5



TM04 2878 4514

Dimensional sketches



TM04 4099 0709 - TM04 4100 0709 - TM04 4101 0809

Dimensions

Pump type	Installation type	Dimensions [mm]								Weight* [kg]
		A	C	D	E	F	H	DN1	DN2	
DPK.15.80.37.5	Without accessories	625	279	119	160	246	39	75	80	60

Pump type	Installation type	Dimensions [mm]									
		V1	V2	V2F	V3	V4	V6	V6F	V7	V7F	V8
DPK.15.80.37.5	Ring stand	597	309	233	80	280	452	514	80	80	280

Pump type	Installation type	Dimensions [mm]																		
		C	F	Z1	Z2	Z3	Z4	Z6	Z7	Z8	Z9	Z10	Z11	Z12	Z13	Z14	Z15	Z16	ZDN1	ZKN
DPK.15.80.37.5	Auto coupling	279	246	517	130	90	200	701	476	357	75	1"	786	161	50	46	200	250	80	4 x M16 x 200

* With 10 m cable.

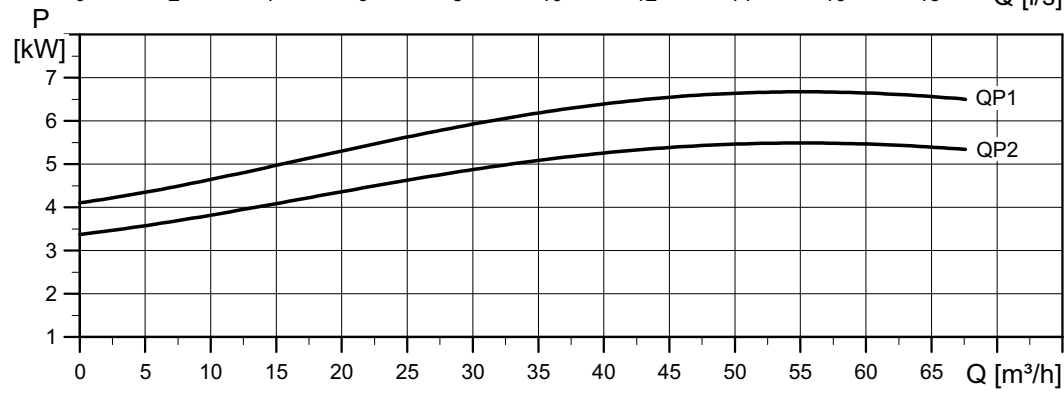
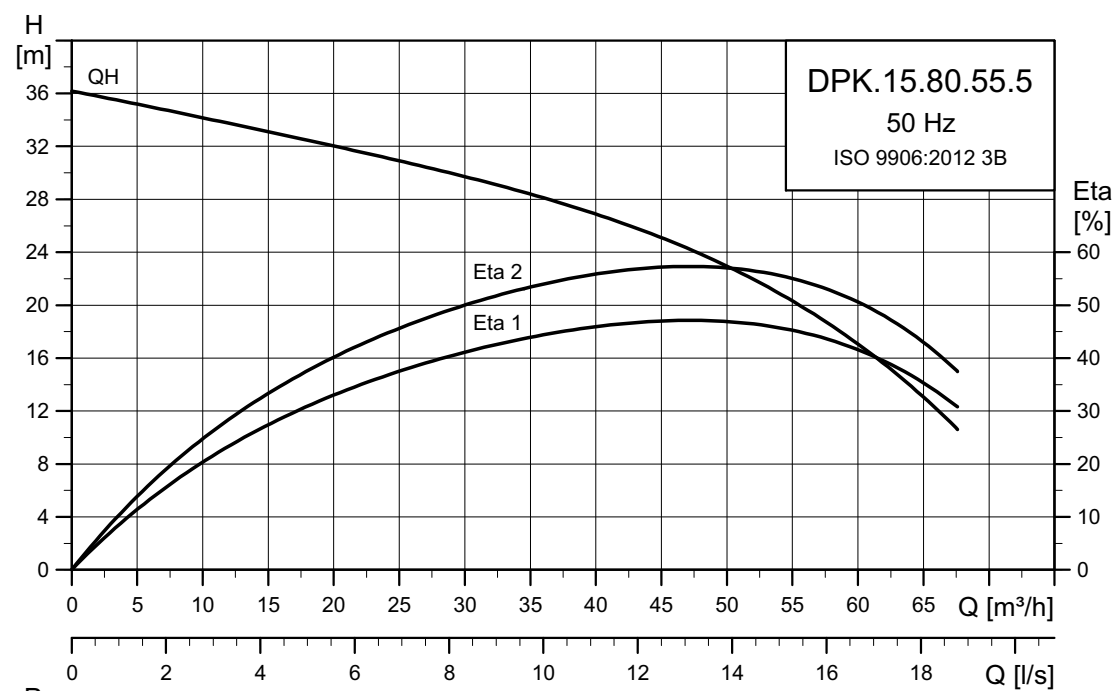
Electrical data

Pump type	Voltage [V]	P2 [kW]	min ⁻¹	Starting method	I _N		η _{motor} [%]				Cos φ			Cable
					[A]		1/2	3/4	1/1	1/2	3/4	1/1		
DPK.15.80.37.5.0D	3 x 380-415 Y	3.7	2850	DOL	8.2		85.6	85.5	84.5	0.85	0.90	0.91	4 x 1.5 mm ² + 2 x 1 mm ²	
DPK.15.80.37.5.0E	3 x 220-240 D	3.7	2850	DOL	14.2		85.6	85.5	84.5	0.85	0.90	0.91	4 x 2.5 mm ² + 4 x 1 mm ²	

Pump data

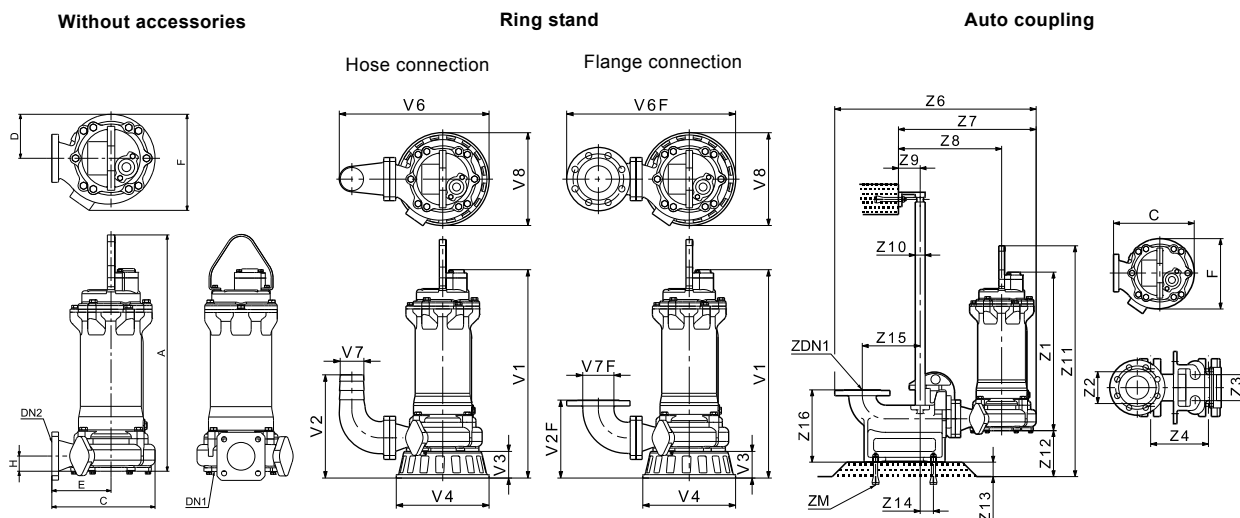
Pump type	Impeller type	Max. solids size [mm]	Max. number of starts per hour	Max. installation depth [m]	Enclosure class	Insulation class	Max. liquid temperature [°C]	pH
DPK.15.80.37.5	Semi-open	15	30	25	68	F	40	4-10

DPK.15.80.55.5



TM04 2879 4514

Dimensional sketches



TM04 4099 0709 - TM04 4100 0709 - TM04 4101 0809

Dimensions

Pump type	Installation type	Dimensions [mm]								Weight* [kg]
		A	C	D	E	F	H	DN1	DN2	
DPK.15.80.55.5	Without accessories	792	380	142	222	317	66	75	80	113

Pump type	Installation type	Dimensions [mm]									
		V1	V2	V2F	V3	V4	V6	V6F	V7	V7F	V8
DPK.15.80.55.5	Ring stand	734	356	280	100	350	549	611	80	80	350

Pump type	Installation type	Dimensions [mm]																		
		C	F	Z1	Z2	Z3	Z4	Z6	Z7	Z8	Z9	Z10	Z11	Z12	Z13	Z14	Z15	Z16	ZDN1	ZKN
DPK.15.80.55.5	Auto coupling	380	317	634	130	90	200	802	577	419	75	1"	926	134	50	46	200	250	80	4 x M16 x 200

* With 10 m cable.

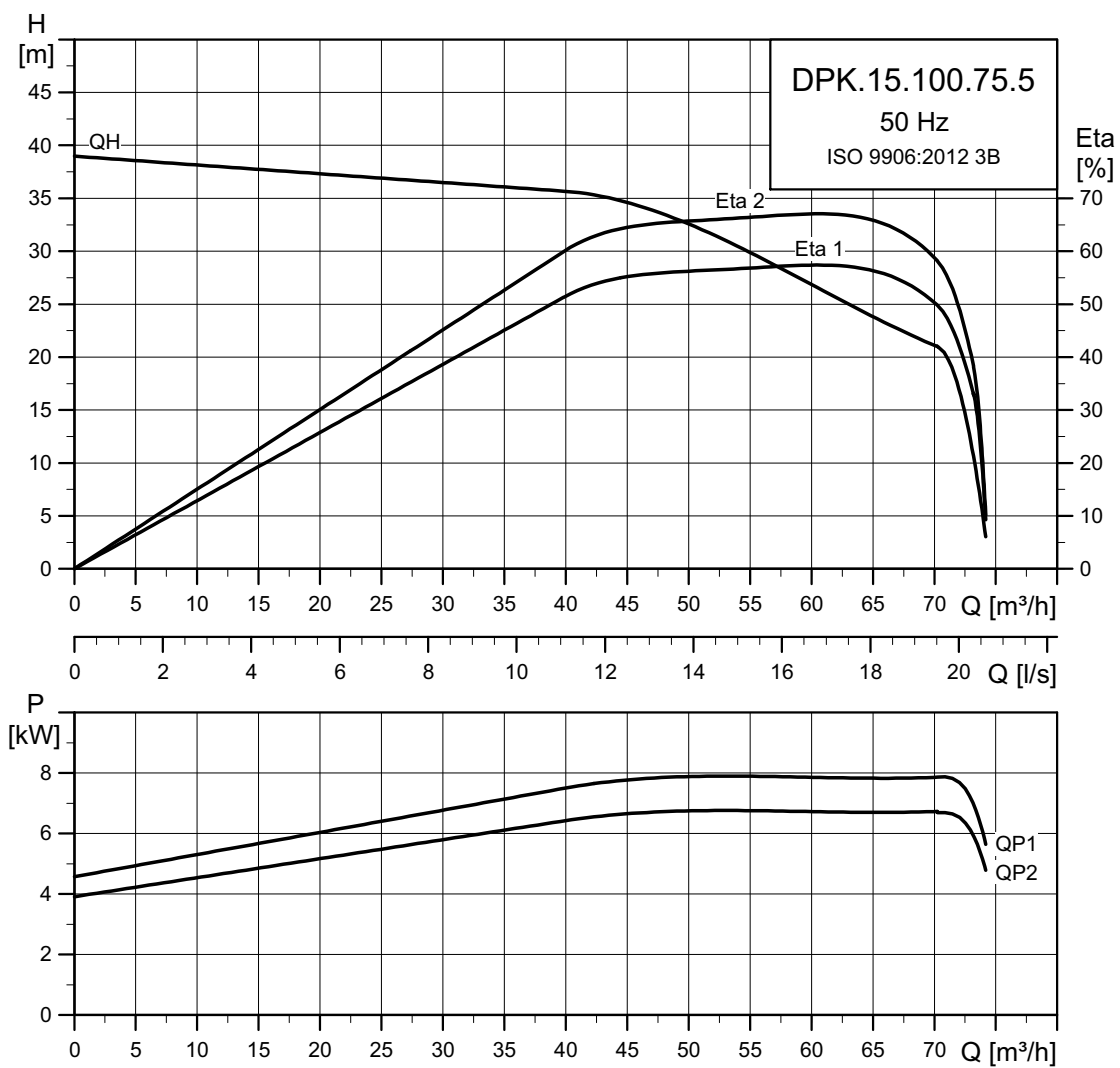
Electrical data

Pump type	Voltage [V]	P2 [kW]	min ⁻¹	Starting method	I _N [A]	η _{motor} [%]			Cos φ			Cable
						1/2	3/4	1/1	1/2	3/4	1/1	
DPK.15.80.55.5.0D	3 x 380-415 Y	5.5	2850	DOL	11.9	82.2	88.8	88.2	0.82	0.88	0.91	4 x 2.5 mm ² + 4 x 1 mm ²
DPK.15.80.55.5.0E	3 x 220-240 D	5.5	2850	DOL	20	82.2	88.8	88.2	0.82	0.88	0.91	4 x 4.0 mm ² + 4 x 1 mm ²
DPK.15.80.55.5.1D	3 x 380-415 D	5.5	2850	Y/D	11.9	82.2	88.8	88.2	0.82	0.88	0.91	7 x 4.0 mm ² + 4 x 1 mm ²
DPK.15.80.55.5.1E	3 x 220-240 D	5.5	2850	Y/D	20	82.2	88.8	88.2	0.82	0.88	0.91	7 x 4.0 mm ² + 4 x 1 mm ²

Pump data

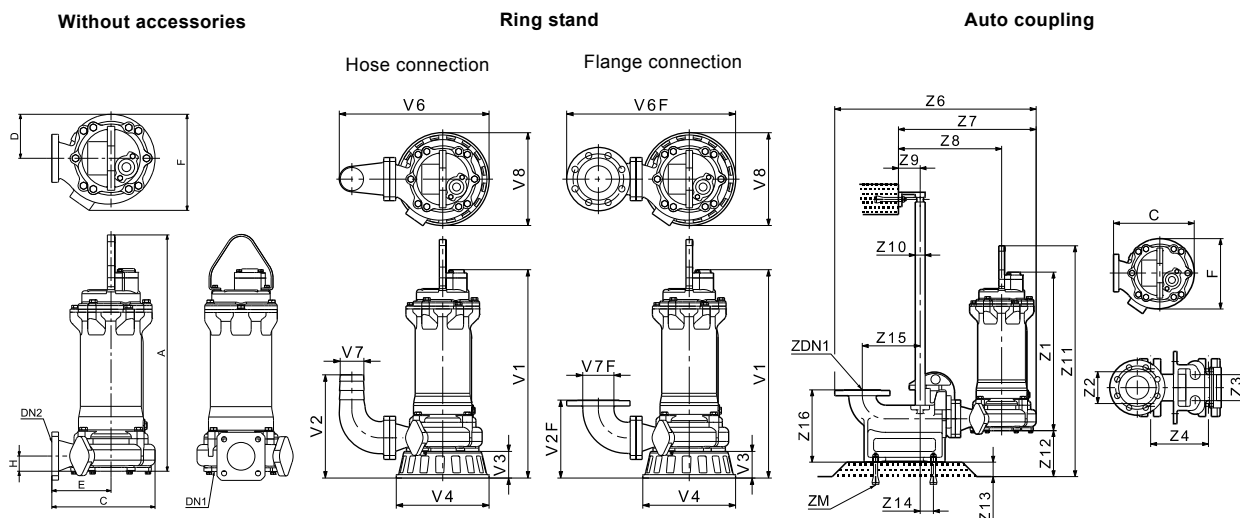
Pump type	Impeller type	Max. solids size [mm]	Max. number of starts per hour	Max. installation depth [m]	Enclosure class	Insulation class	Max. liquid temperature [°C]	pH
DPK.15.80.55.5	Semi-open	15	30	25	68	F	40	4-10

DPK.15.100.75.5



TM04 2880 4514

Dimensional sketches



TM04 4099 0709 - TM04 4100 0709 - TM04 4101 0809

Dimensions

Pump type	Installation type	Dimensions [mm]								Weight* [kg]
		A	C	D	E	F	H	DN1	DN2	
DPK.15.100.75.5	Without accessories	792	375	138	220	312	59	72	100	118

Pump type	Installation type	Dimensions [mm]									
		V1	V2	V2F	V3	V4	V6	V6F	V7	V7F	V8
DPK.15.100.75.5	Ring stand	734	384	309	100	350	572	630	100	100	350

Pump type	Installation type	Dimensions [mm]																			
		C	F	Z1	Z2	Z3	Z4	Z6	Z7	Z8	Z9	Z10	Z11	Z12	Z13	Z14	Z15	Z16	ZDN1	ZKN	ZM
DPK.15.100.75.5	Auto coupling	375	312	634	150	90	200	870	585	430	75	1 1/4"	983	191	50	51	250	350	100	4 x M16 x 200	

* With 10 m cable.

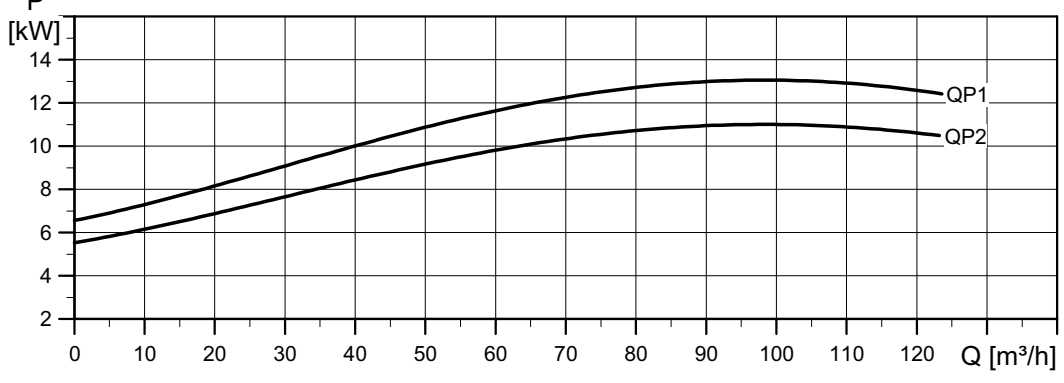
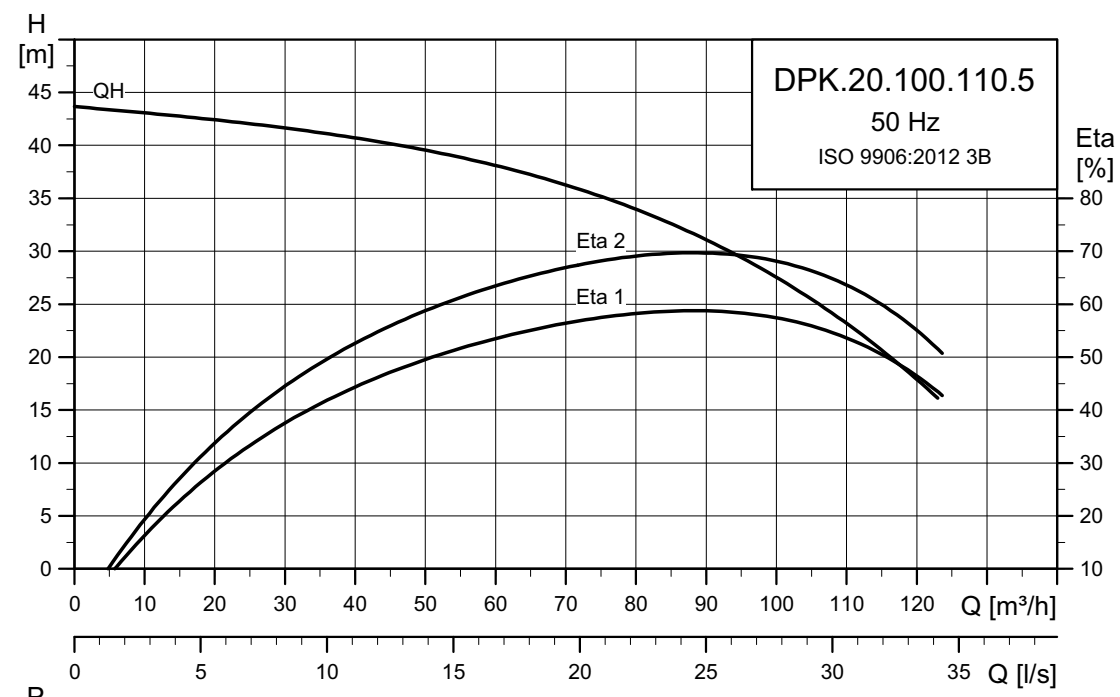
Electrical data

Pump type	Voltage [V]	P2 [kW]	min ⁻¹	Starting method	I _N		η _{motor} [%]				Cos φ			Cable
					[A]	1/2	3/4	1/1	1/2	3/4	1/1			
DPK.15.100.75.5.0D	3 x 380-415 Y	7.5	2850	DOL	16	88.9	89.2	88.3	0.86	0.91	0.92	4 x 4.0 mm ² + 4 x 1 mm ²		
DPK.15.100.75.5.0E	3 x 220-240 D	7.5	2850	DOL	27	88.9	89.2	88.3	0.86	0.91	0.92	4 x 6.0 mm ² + 4 x 1 mm ²		
DPK.15.100.75.5.1D	3 x 380-415 D	7.5	2850	Y/D	16	88.9	89.2	88.3	0.86	0.91	0.92	7 x 4.0 mm ² + 4 x 1 mm ²		
DPK.15.100.75.5.1E	3 x 220-240 D	7.5	2850	Y/D	27	88.9	89.2	88.3	0.86	0.91	0.92	7 x 4.0 mm ² + 4 x 1 mm ²		

Pump data

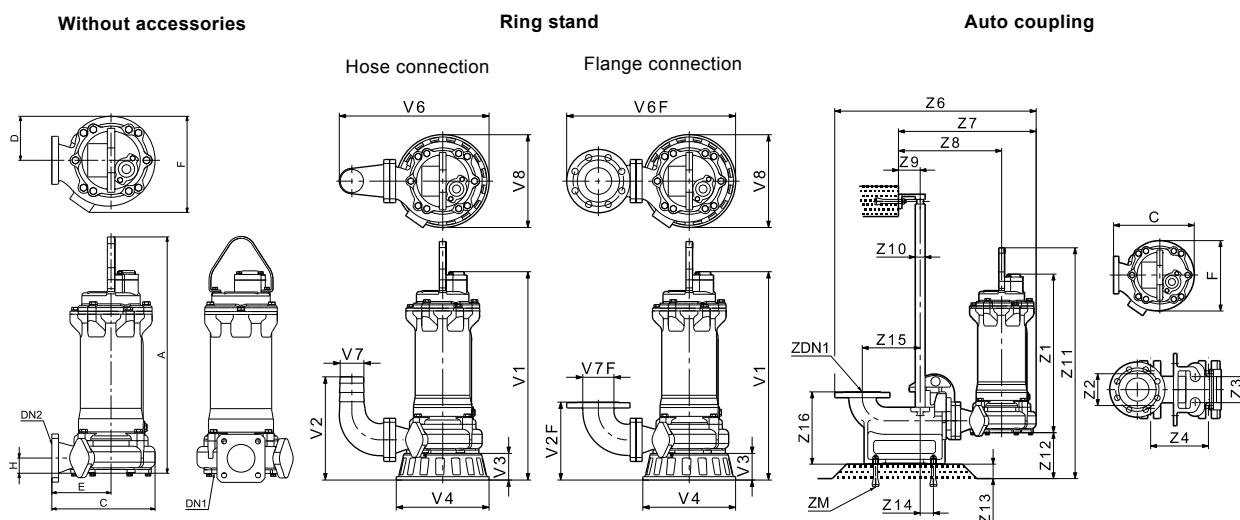
Pump type	Impeller type	Max. solids size [mm]	Max. number of starts per hour	Max. installation depth [m]	Enclosure class	Insulation class	Max. liquid temperature [°C]	pH
DPK.15.100.75.5	Semi-open	15	30	25	68	F	40	4-10

DPK.20.100.110.5



TM04 2881 4514

Dimensional sketches



TM04 4099 0709 - TM04 4100 0709 - TM04 4101 0809

Dimensions

Pump type	Installation type	Dimensions [mm]									Weight* [kg]
		A	C	D	E	F	H	DN1	DN2		
DPK.20.100.110.5	Without accessories	840	375	151	220	325	59	90	100	166	

Pump type	Installation type	Dimensions [mm]									
		V1	V2	V2F	V3	V4	V6	V6F	V7	V7F	V8
DPK.20.100.110.5	Ring stand	780	384	309	100	350	572	630	100	100	350

Pump type	Installation type	Dimensions [mm]																		
		C	F	Z1	Z2	Z3	Z4	Z6	Z7	Z8	Z9	Z10	Z11	Z12	Z13	Z14	Z15	Z16	ZDN1	ZKN
DPK.20.100.110.5	Auto coupling	375	325	680	150	90	200	884	599	430	75	1 1/4"	1031	191	50	51	250	350	100	4 x M16 x 200

* With 10 m cable.

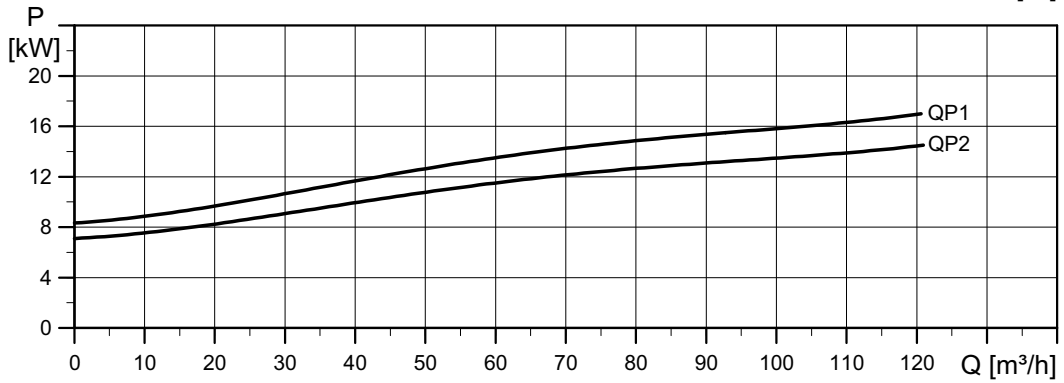
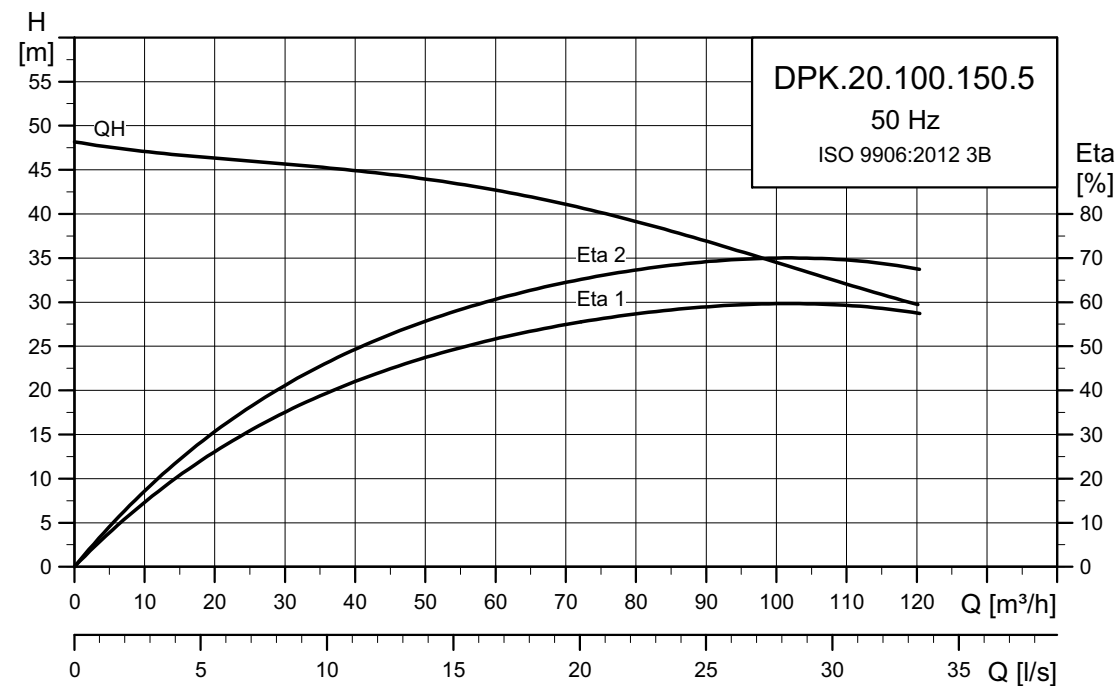
Electrical data

Pump type	Voltage [V]	P2 [kW]	min ⁻¹	Starting method	I _N [A]	η _{motor} [%]			Cos φ			Cable
						1/2	3/4	1/1	1/2	3/4	1/1	
DPK.20.100.110.5.0D	3 x 380-415 Y	11	2850	DOL	23	89.2	90.0	89.5	0.88	0.91	0.92	4 x 6.0 mm ² + 4 x 1 mm ²
DPK.20.100.110.5.0E	3 x 220-240 D	11	2850	DOL	40	89.2	90.0	89.5	0.88	0.91	0.92	4 x 10.0 mm ² + 6 x 1 mm ²
DPK.20.100.110.5.1D	3 x 380-415 D	11	2850	Y/D	23	89.2	90.0	89.5	0.88	0.91	0.92	7 x 4.0 mm ² + 4 x 1 mm ²
DPK.20.100.110.5.1E	3 x 220-240 D	11	2850	Y/D	40	89.2	90.0	89.5	0.88	0.91	0.92	7 x 6.0 mm ² + 6 x 1 mm ²

Pump data

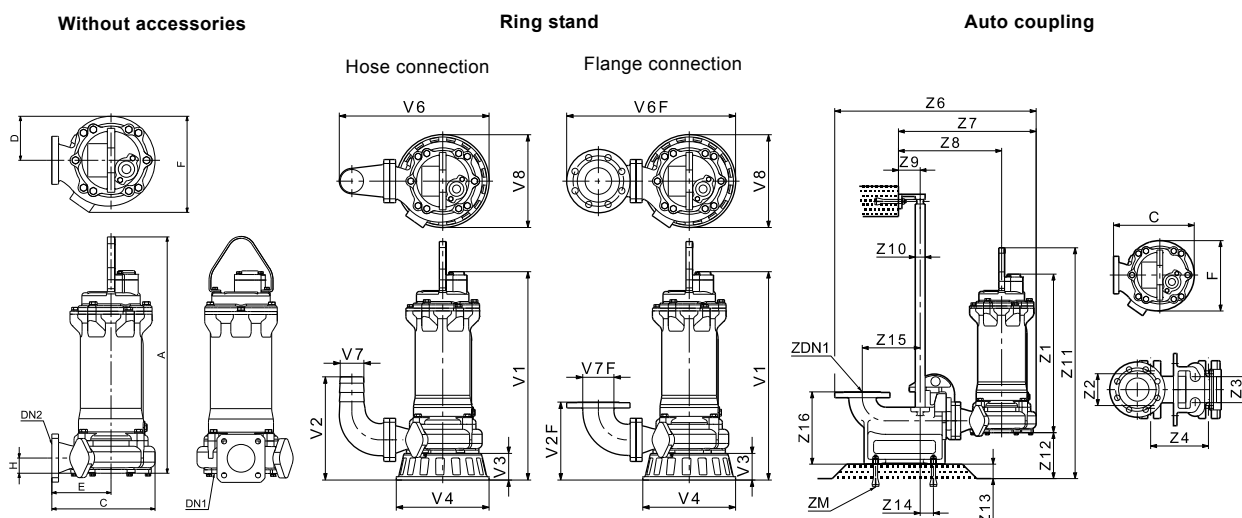
Pump type	Impeller type	Max. solids size [mm]	Max. number of starts per hour	Max. installation depth [m]	Enclosure class	Insulation class	Max. liquid temperature [°C]	pH
DPK.20.100.110.5	Semi-open	20	30	25	68	F	40	4-10

DPK.20.100.150.5



TM04 2882 4514

Dimensional sketches



TM04 4099 0709 - TM04 4100 0709 - TM04 4101 0809

Dimensions

Pump type	Installation type	Dimensions [mm]								Weight* [kg]
		A	C	D	E	F	H	DN1	DN2	
DPK.20.100.150.5	Without accessories	840	375	151	220	325	59	90	100	177

Pump type	Installation type	Dimensions [mm]									
		V1	V2	V2F	V3	V4	V6	V6F	V7	V7F	V8
DPK.20.100.150.5	Ring stand	780	384	309	100	350	572	630	100	100	350

Pump type	Installation type	Dimensions [mm]																		
		C	F	Z1	Z2	Z3	Z4	Z6	Z7	Z8	Z9	Z10	Z11	Z12	Z13	Z14	Z15	Z16	ZDN1	ZKN
DPK.20.100.150.5	Auto coupling	375	325	680	150	90	200	884	599	430	75	1 1/4"	1031	191	50	51	250	350	100	4 x M16 x 200

* With 10 m cable.

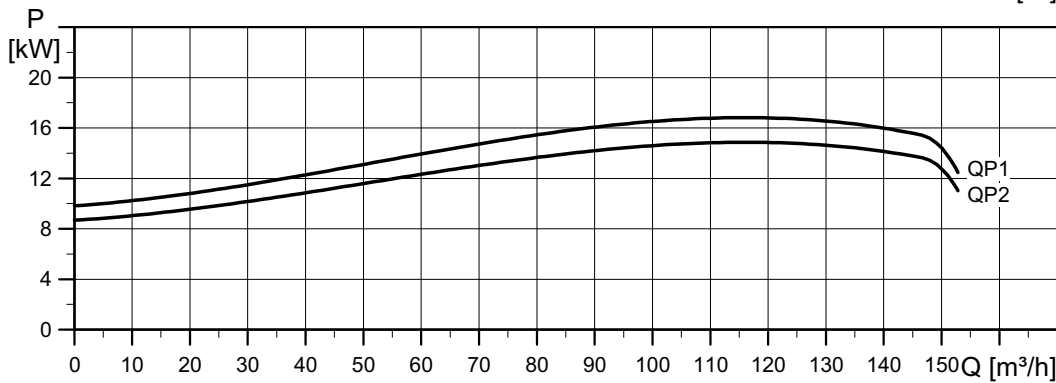
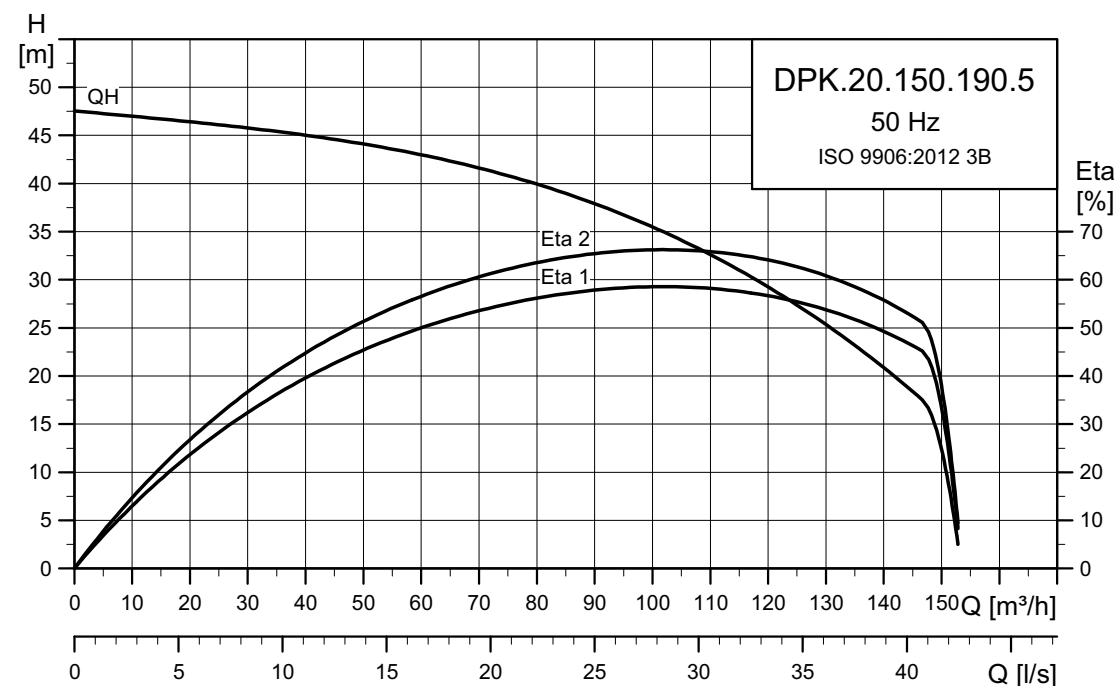
Electrical data

Pump type	Voltage [V]	P2 [kW]	min ⁻¹	Starting method	I _N [A]	η _{motor} [%]			Cos φ			Cable
						1/2	3/4	1/1	1/2	3/4	1/1	
DPK.20.100.150.5.0D	3 x 380-415 Y	15	2850	DOL	31	85.9	90.3	88.4	0.88	0.91	0.92	4 x 6.0 mm ² + 4 x 1 mm ²
DPK.20.100.150.5.0E	3 x 220-240 D	15	2850	DOL	53	85.9	90.3	88.4	0.88	0.91	0.92	4 x 10.0 mm ² + 6 x 1 mm ²
DPK.20.100.150.5.1D	3 x 380-415 D	15	2850	Y/D	31	85.9	90.3	88.4	0.88	0.91	0.92	7 x 4.0 mm ² + 4 x 1 mm ²
DPK.20.100.150.5.1E	3 x 220-240 D	15	2850	Y/D	53	85.9	90.3	88.4	0.88	0.91	0.92	7 x 6.0 mm ² + 6 x 1 mm ²

Pump data

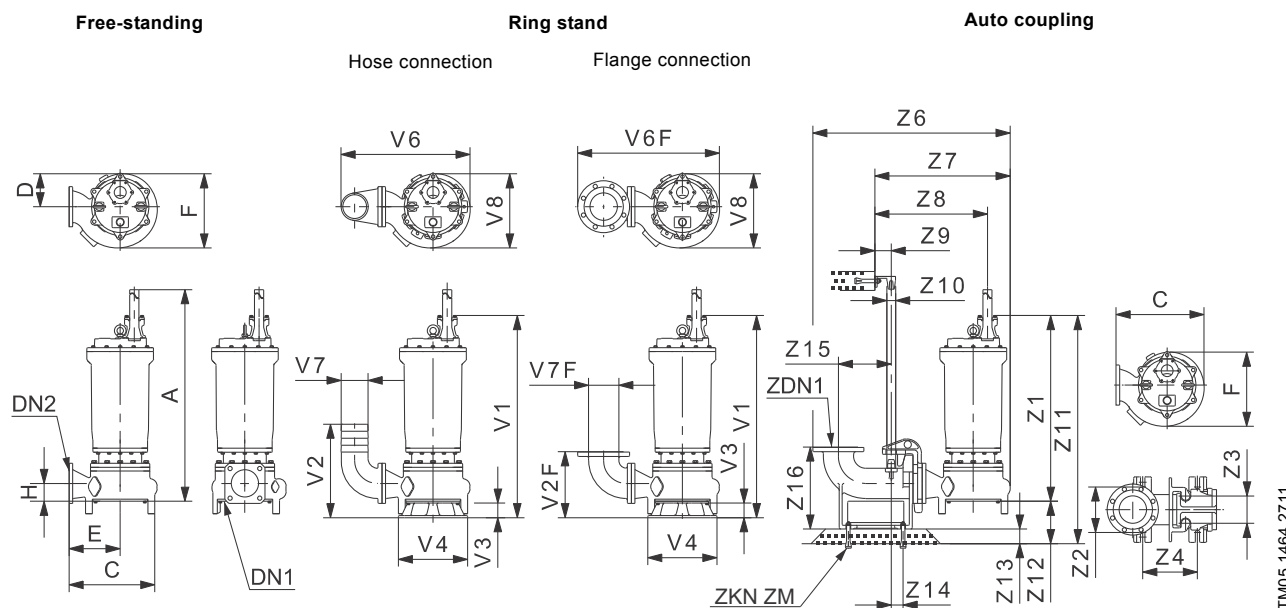
Pump type	Impeller type	Max. solids size [mm]	Max. number of starts per hour	Max. installation depth [m]	Enclosure class	Insulation class	Max. liquid temperature [°C]	pH
DPK.20.100.150.5	Semi-open	20	30	25	68	F	40	4-10

DPK.20.150.190.5



TM04 2883 4514

Dimensional sketches



TM05 1464 2711

Dimensions

Pump type	Installation type	Dimensions [mm]								Weight* [kg]
		A	C	D	E	F	H	DN1	DN2	
DPK.20.150.190.5	Without accessories	1023	483	181	432	416	113	110	150	300

Pump type	Installation type	Dimensions [mm]									
		V1	V2	V2F	V3	V4	V6	V6F	V7	V7F	V8
DPK.20.150.190.5	Ring stand	1163	513	362	90	380	708	778	150	150	407

Pump type	Installation type	Dimensions [mm]																			
		C	F	Z1	Z2	Z3	Z4	Z6	Z7	Z8	Z9	Z10	Z11	Z12	Z13	Z14	Z15	Z16	ZDN1	ZKN	ZM
DPK.20.150.190.5	Auto coupling	483	416	1078	250	150	300	1083	743	540	90	1 1/2"	1199	164	80	65	290	450	150		M20 x 200L

* With 10 m cable.

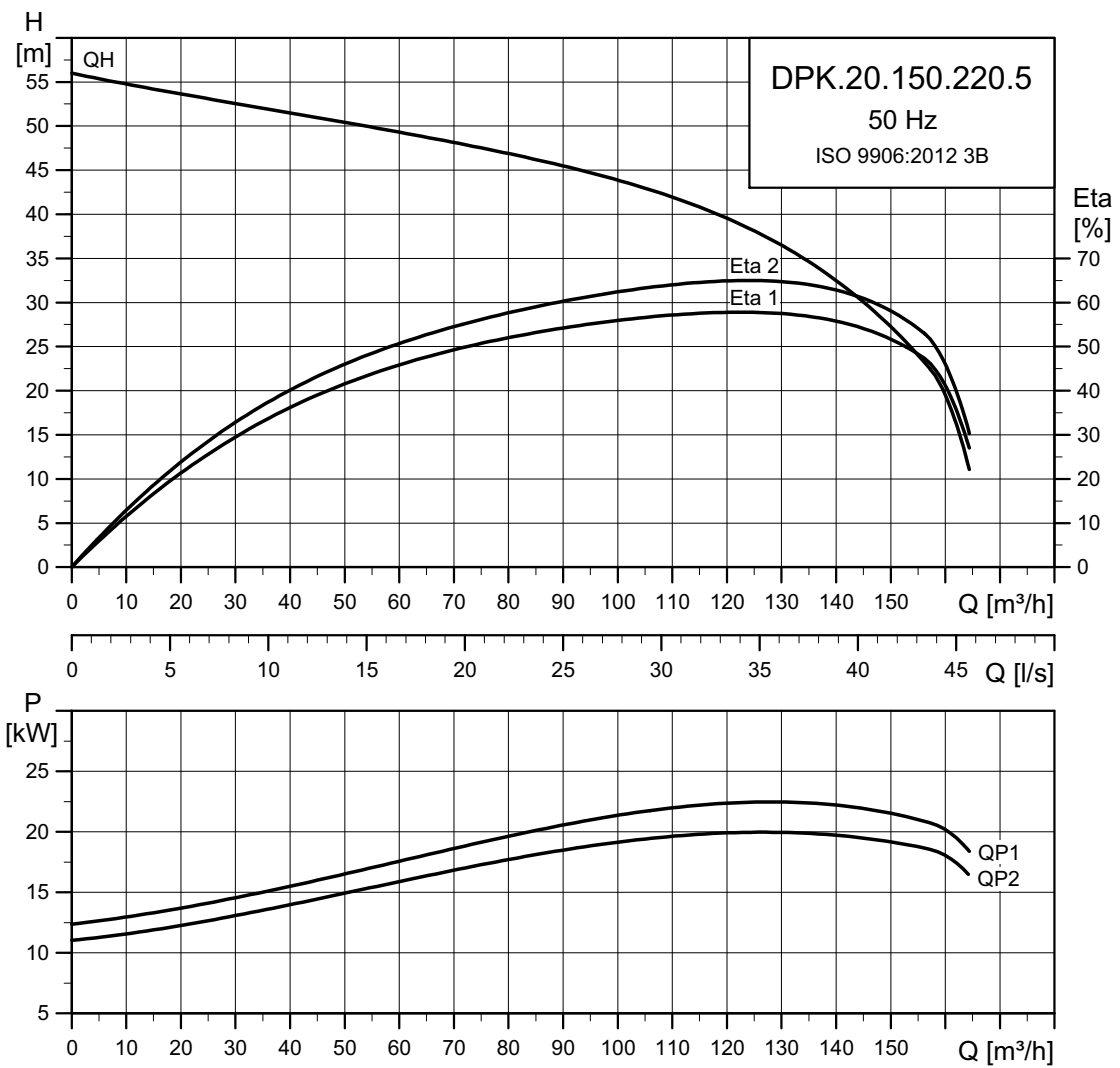
Electrical data

Pump type	Voltage [V]	P2 [kW]	min ⁻¹	Starting method	I _N [A]			η _{motor} [%]			Cos φ			Cable
					1/2	3/4	1/1	1/2	3/4	1/1	1/2	3/4	1/1	
DPK.20.150.190.5.1D	3 x 380-415 D	19	2850	Y/D	36	85.9	87.8	88.4	0.772	0.851	0.884	7 x 6.0 mm ² + 6 x 1.0 mm ²		
DPK.20.150.190.5.1E	3 x 220-240 D	19	2850	Y/D	63	85.9	87.8	88.4	0.772	0.851	0.884	7 x 10.0 mm ² + 6 x 1.5 mm ²		

Pump data

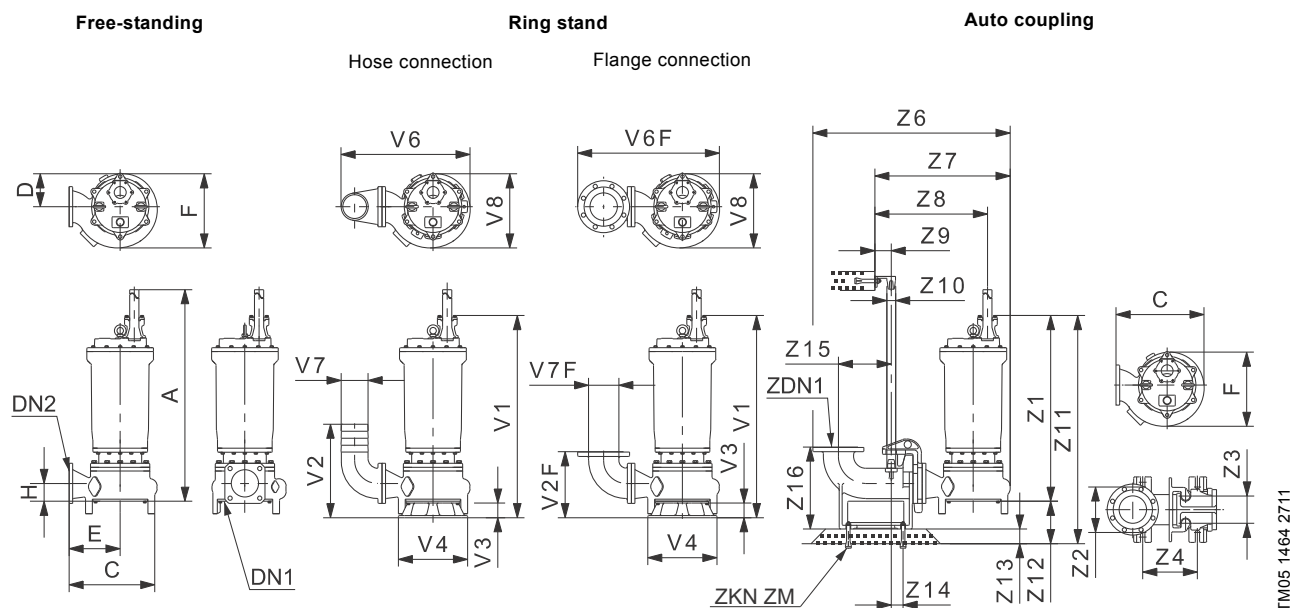
Pump type	Impeller type	Max. solids size [mm]	Max. number of starts per hour	Max. installation depth [m]	Enclosure class	Insulation class	Max. liquid temperature [°C]	pH
DPK.20.150.190.5	Semi-open	20	18	25	68	F	40	4-10

DPK.20.150.220.5



TM04 2884 4514

Dimensional sketches



Dimensions

Pump type	Installation type	Dimensions [mm]									Weight* [kg]
		A	C	D	E	F	H	DN1	DN2		
DPK.20.150.220.5	Without accessories	1023	483	181	432	416	113	110	150	300	

Pump type	Installation type	Dimensions [mm]									
		V1	V2	V2F	V3	V4	V6	V6F	V7	V7F	V8
DPK.20.150.220.5	Ring stand	1163	513	362	90	380	708	778	150	150	407

Pump type	Installation type	Dimensions [mm]																			
		C	F	Z1	Z2	Z3	Z4	Z6	Z7	Z8	Z9	Z10	Z11	Z12	Z13	Z14	Z15	Z16	ZDN1	ZKN	ZM
DPK.20.150.220.5	Auto coupling	483	416	1078	250	150	300	1083	743	540	90	1 1/2"	1199	164	80	65	290	450	150		M20 x 200L

* With 10 m cable.

Electrical data

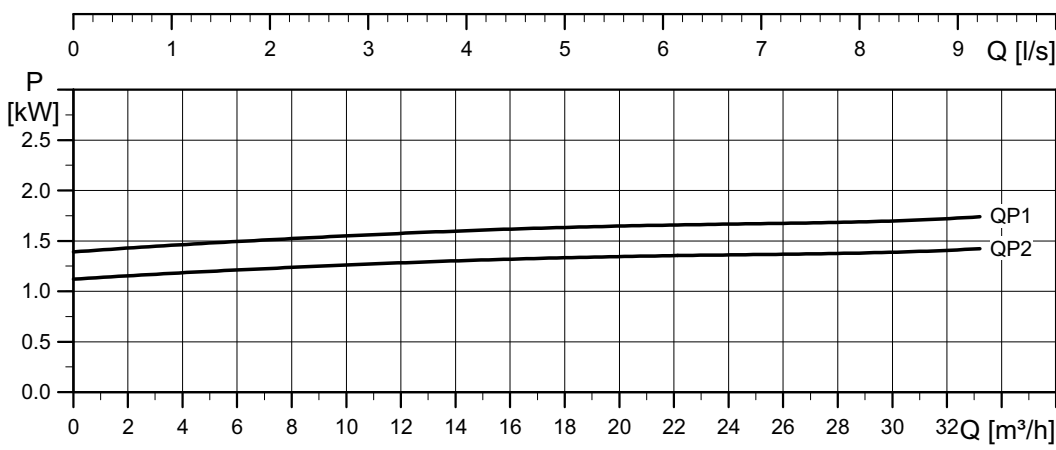
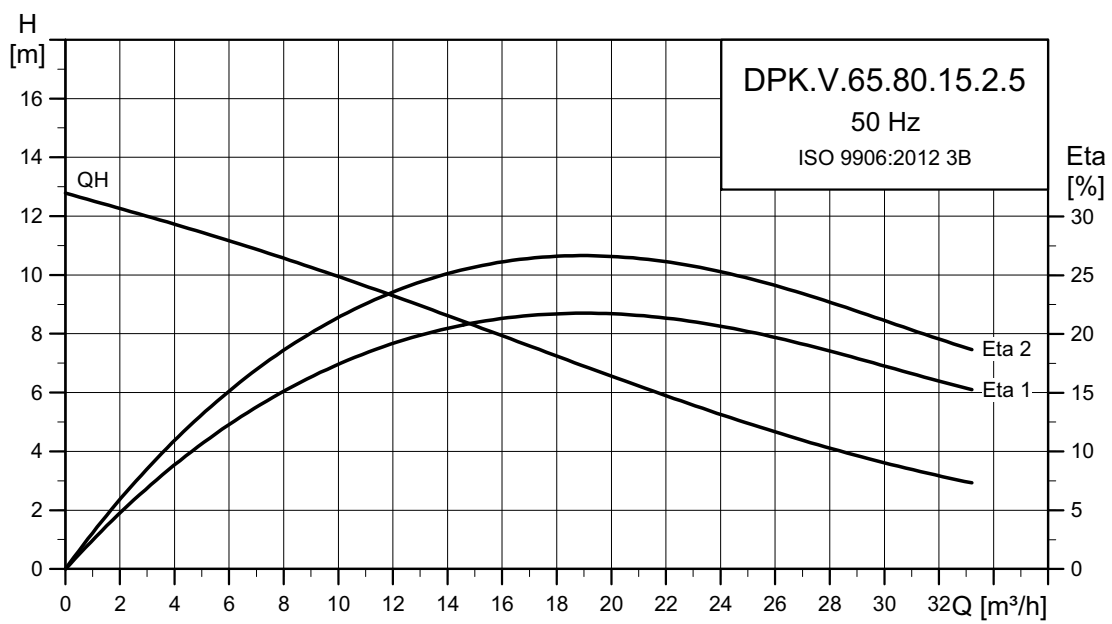
Pump type	Voltage [V]	P2 [kW]	min ⁻¹	Starting method	I _N [A]	η _{motor} [%]			Cos φ			Cable
						1/2	3/4	1/1	1/2	3/4	1/1	
DPK.20.150.220.5.1D	3 x 380-415 D	22	2850	Y/D	43	86.7	88.6	89.2	0.747	0.824	0.855	7 x 6.0 mm ² + 6 x 1.0 mm ²
DPK.20.150.220.5.1E	3 x 220-240 D	22	2850	Y/D	75	86.7	88.6	89.2	0.747	0.824	0.855	7 x 16.0 mm ² + 6 x 1.5 mm ²

Pump data

Pump type	Impeller type	Max. solids size [mm]	Max. number of starts per hour	Max. installation depth [m]	Enclosure class	Insulation class	Max. liquid temperature [°C]	pH
DPK.20.150.220.5	Semi-open	20	18	25	68	F	40	4-10

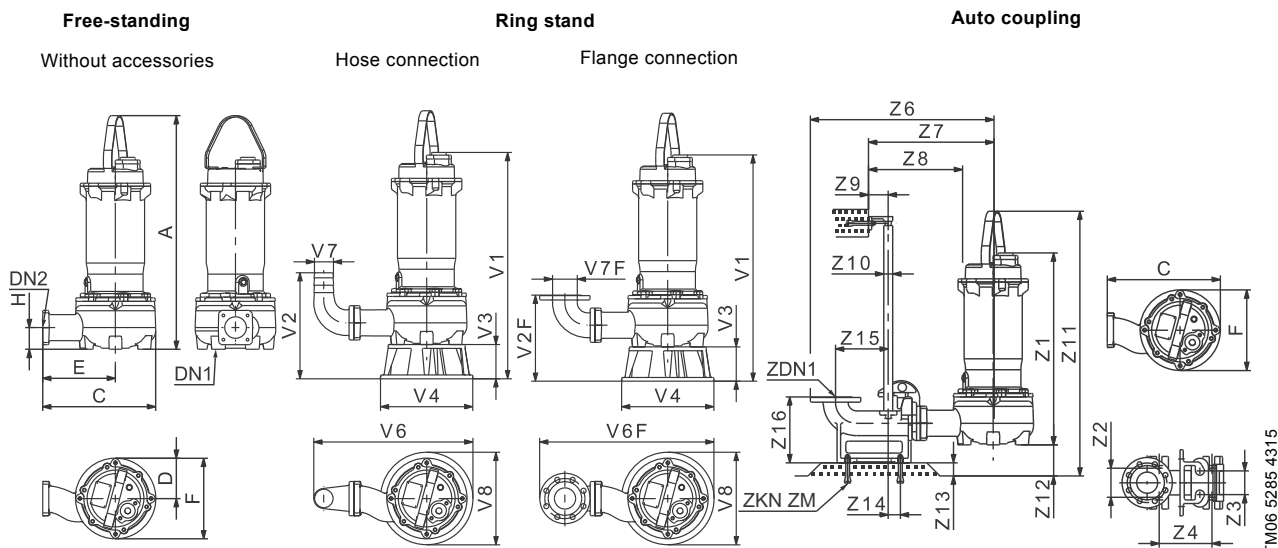
DPK.V

DPK.V.65.80.15.2



TM06 5781 0216

Dimensional sketches



TM06 5285 4315

Dimensions

Pump type	Installation type	Dimensions [mm]								Weight* [kg]
		A	C	D	E	F	H	DN1	DN2	
DPK.V.65.80.15.2	Without accessories	548	372	125	247	250	103	65	80	58.6

Pump type	Installation type	Dimensions [mm]									
		V1	V2	V2F	V3	V4	V6	V6F	V7	V7F	V8
DPK.V.65.80.15.2	Ring stand	636	421	345	128	330	564	626	80	80	330

Pump type	Installation type	Dimensions [mm]																			
		C	F	Z1	Z2	Z3	Z4	Z6	Z7	Z8	Z9	Z10	Z11	Z12	Z13	Z14	Z15	Z16	ZDN1	ZKN	ZM
DPK.V.65.80.15.2	Auto coupling	372	250	508	130	90	200	834	609	444	75	1"	644	97	50	46	200	250	80	4 x M16	x 200

* With 10 m cable.

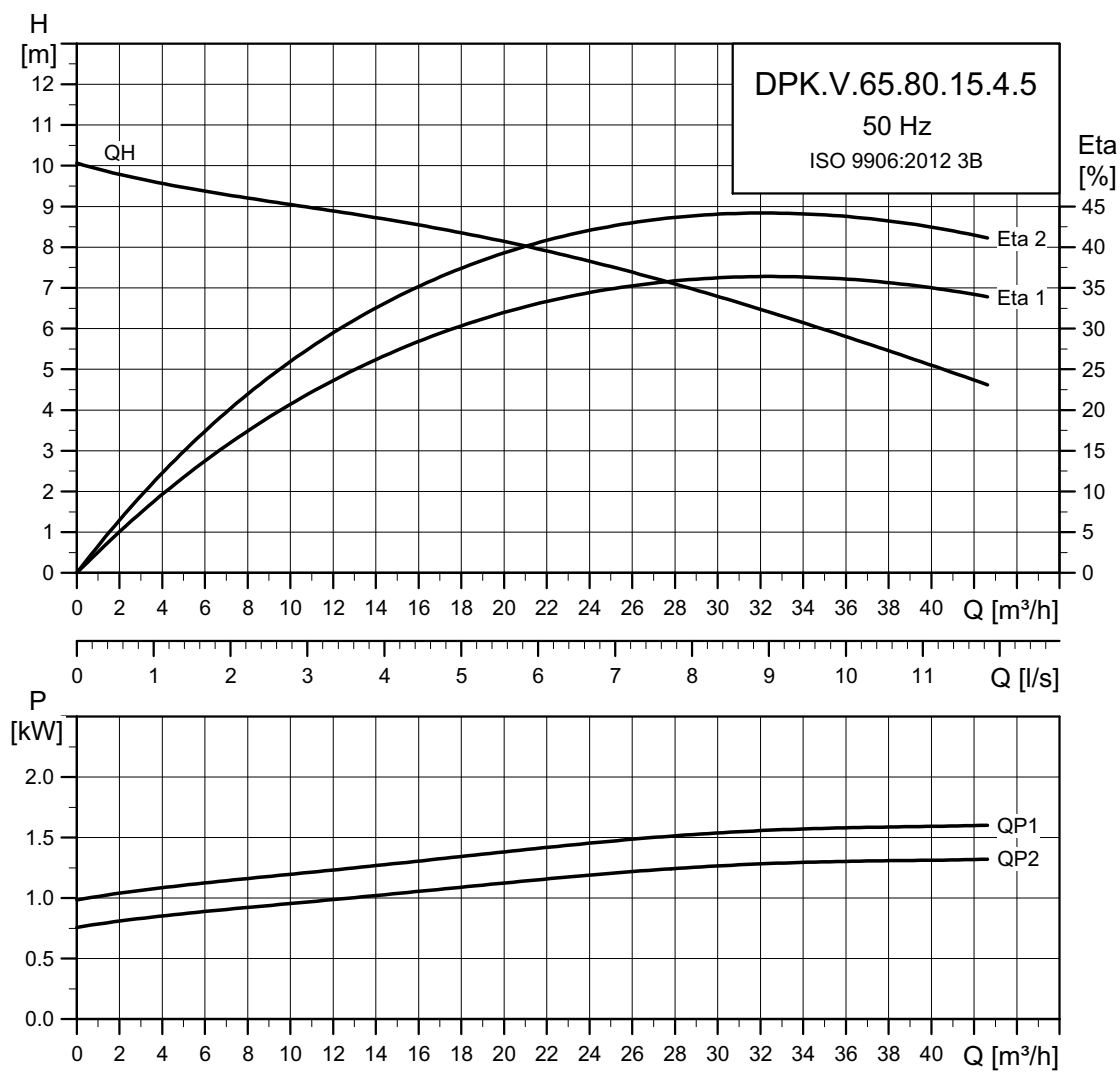
Electrical data

Pump type	Voltage [V]	P2 [kW]	min ⁻¹	Starting method	I _N [A]	η _{motor} [%]						Cos φ			Cable									
						1/2			3/4			1/1				1/2			3/4			1/1		
						1/2	3/4	1/1	1/2	3/4	1/1	1/2	3/4	1/1		1/2	3/4	1/1						
DPK.V.65.80.15.2.5.0D	3 x 380-415 Y	1.5	2850	DOL	3.1	78.0	82.1	83.0	0.68	0.78	0.85	0.68	0.78	0.85	0.68	0.78	0.85	4 x 1.5 mm ² + 4 x 1.0 mm ²						
DPK.V.65.80.15.2.5.0E	3 x 220-240 D	1.5	2850	DOL	5.3	78.0	82.1	83.0	0.68	0.78	0.85	0.68	0.78	0.85	0.68	0.78	0.85	4 x 1.5 mm ² + 4 x 1.0 mm ²						

Pump data

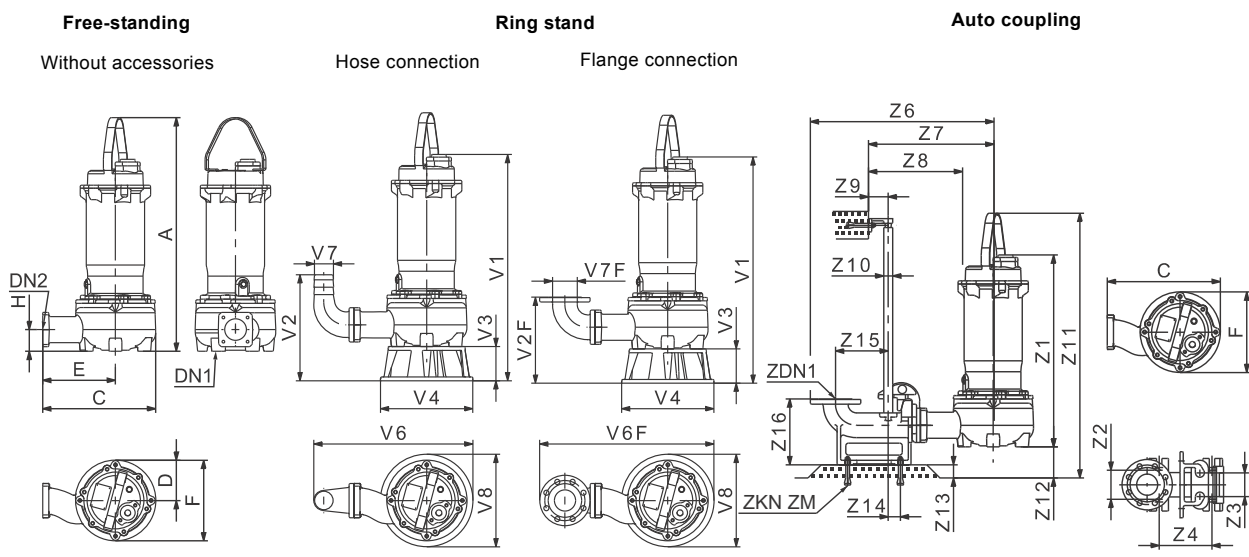
Pump type	Impeller type	Max. solids size [mm]	Max. number of starts per hour	Max. installation depth [m]	Enclosure class	Insulation class	Max. liquid temperature [°C]	pH
DPK.V.65.80.15.2	SuperVortex	65	20	20	68	F	40	4-10

DPK.V.65.80.15.4



TM06 5786 0216

Dimensional sketches



TM06 5285 4315

Dimensions

Pump type	Installation type	Dimensions [mm]								Weight* [kg]
		A	C	D	E	F	H	DN1	DN2	
DPK.V.65.80.15.4	Without accessories	715	410	165	245	329	85	65	80	75.5

Pump type	Installation type	Dimensions [mm]									
		V1	V2	V2F	V3	V4	V6	V6F	V7	V7F	V8
DPK.V.65.80.15.4	Ring stand	737	405	329	130	351	574	635	80	80	351

Pump type	Installation type	Dimensions [mm]																			
		C	F	Z1	Z2	Z3	Z4	Z6	Z7	Z8	Z9	Z10	Z11	Z12	Z13	Z14	Z15	Z16	ZDN1	ZKN	ZM
DPK.V.65.80.15.4	Auto coupling	410	329	607	130	90	200	843	619	442	75	1"	831	115	50	46	200	250	80	4 x M16	x 200

* With 10 m cable.

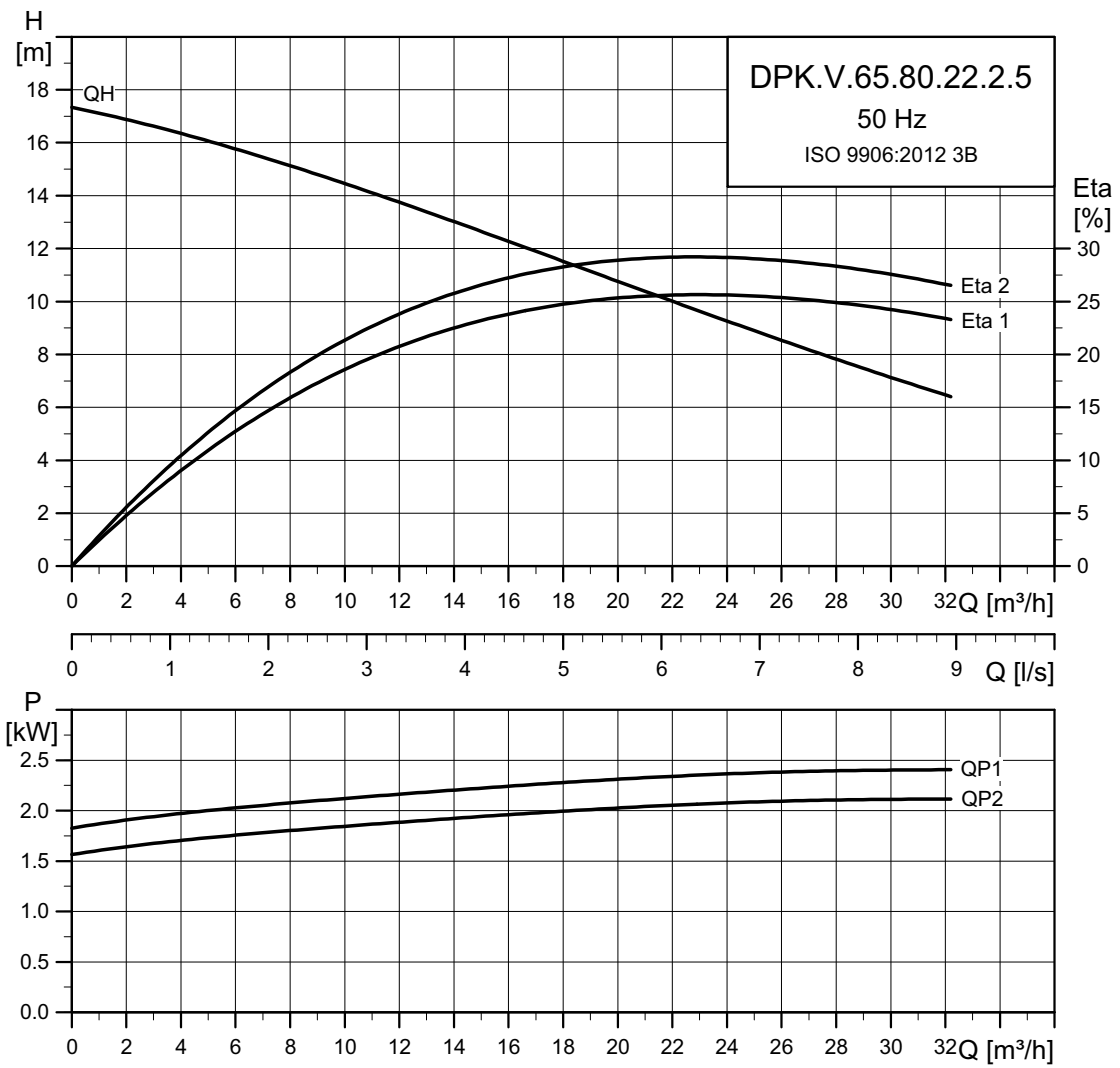
Electrical data

Pump type	Voltage [V]	P2 [kW]	min ⁻¹	Starting method	I _N [A]	η _{motor} [%]			Cos φ			Cable
						1/2	3/4	1/1	1/2	3/4	1/1	
DPK.V.65.80.15.4.5.0D	3 x 380-415 Y	1.5	1415	DOL	3.4	76.6	80.0	78.8	0.69	0.79	0.84	4 x 1.5 mm ² + 4 x 1.0 mm ²
DPK.V.65.80.15.4.5.0E	3 x 220-240 D	1.5	1415	DOL	5.9	76.6	80.0	78.8	0.69	0.79	0.84	4 x 1.5 mm ² + 4 x 1.0 mm ²

Pump data

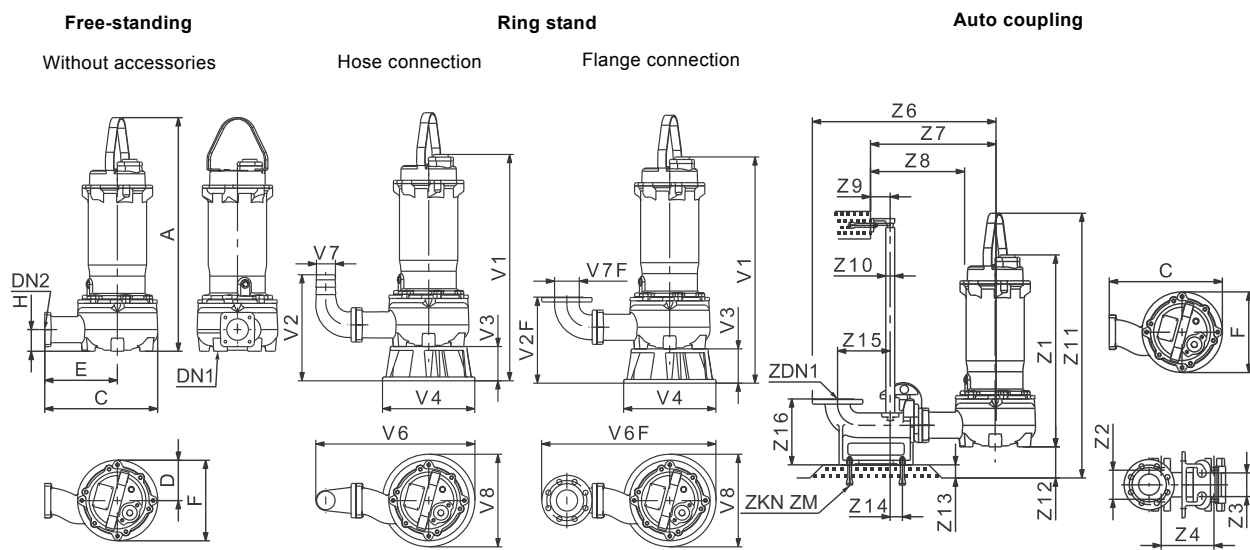
Pump type	Impeller type	Max. solids size [mm]	Max. number of starts per hour	Max. installation depth [m]	Enclosure class	Insulation class	Max. liquid temperature [°C]	pH
DPK.V.65.80.15.4	SuperVortex	65	20	20	68	F	40	4-10

DPK.V.65.80.22.2



TM06 5782 0216

Dimensional sketches



TM06 5285 4315

Dimensions

Pump type	Installation type	Dimensions [mm]								Weight* [kg]
		A	C	D	E	F	H	DN1	DN2	
DPK.V.65.80.22.2	Without accessories	568	372	125	247	250	103	65	80	62.6

Pump type	Installation type	Dimensions [mm]									
		V1	V2	V2F	V3	V4	V6	V6F	V7	V7F	V8
DPK.V.65.80.22.2	Ring stand	656	421	345	128	330	564	626	80	80	330

Pump type	Installation type	Dimensions [mm]																			
		C	F	Z1	Z2	Z3	Z4	Z6	Z7	Z8	Z9	Z10	Z11	Z12	Z13	Z14	Z15	Z16	ZDN1	ZKN	ZM
DPK.V.65.80.22.2	Auto coupling	372	250	528	130	90	200	834	609	444	75	1"	664	97	50	46	200	250	80	4 x M16	x 200

* With 10 m cable.

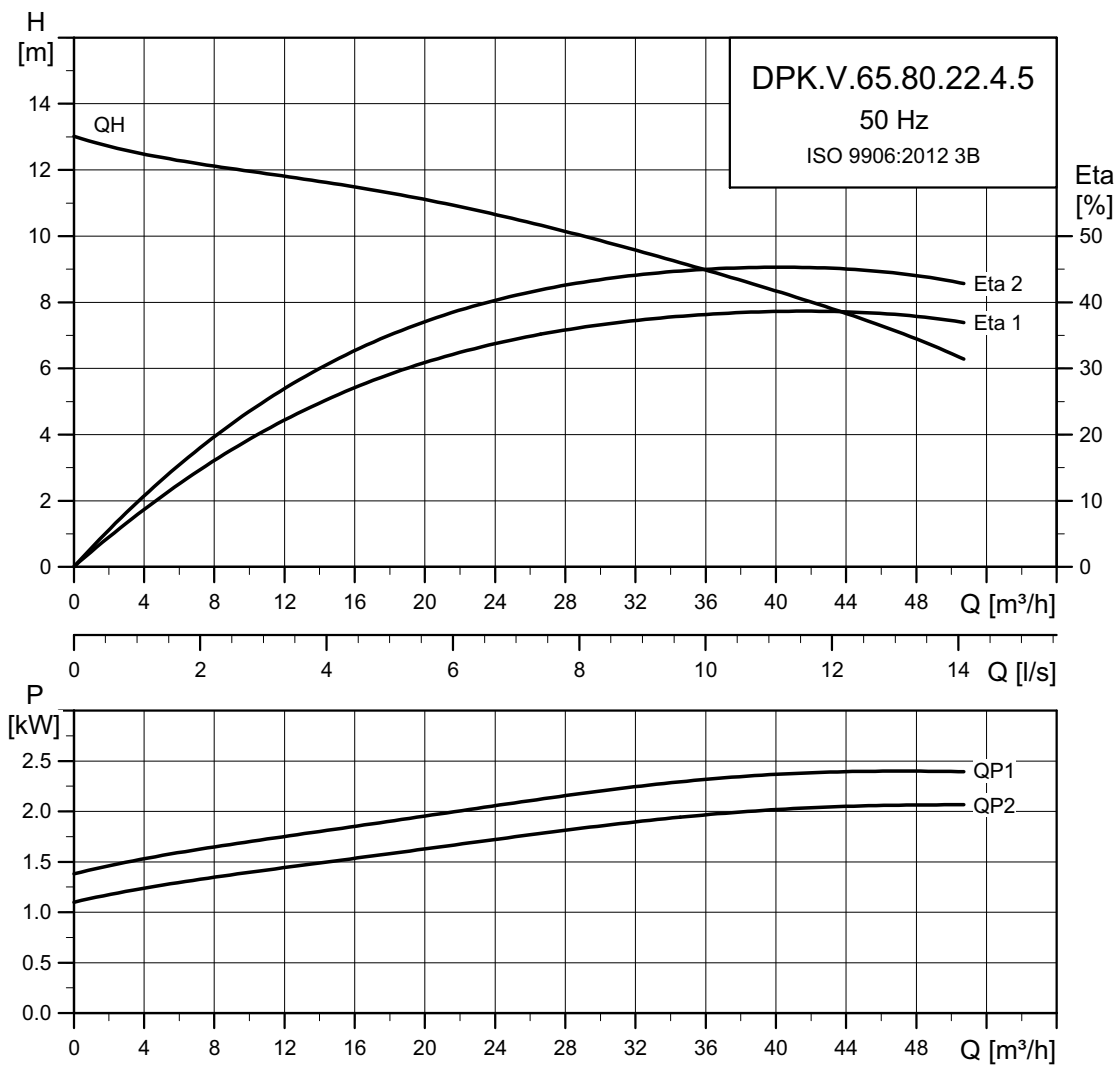
Electrical data

Pump type	Voltage [V]	P2 [kW]	min ⁻¹	Starting method	I _N [A]	η _{motor} [%]			Cos φ			Cable
						1/2	3/4	1/1	1/2	3/4	1/1	
DPK.V.65.80.22.2.5.0D	3 x 380-415 Y	2.2	2850	DOL	4.2	79.8	83.1	86.1	0.71	0.82	0.89	4 x 1.5 mm ² + 4 x 1.0 mm ²
DPK.V.65.80.22.2.5.0E	3 x 220-240 D	2.2	2850	DOL	7.2	79.8	83.1	86.1	0.71	0.82	0.89	4 x 1.5 mm ² + 4 x 1.0 mm ²

Pump data

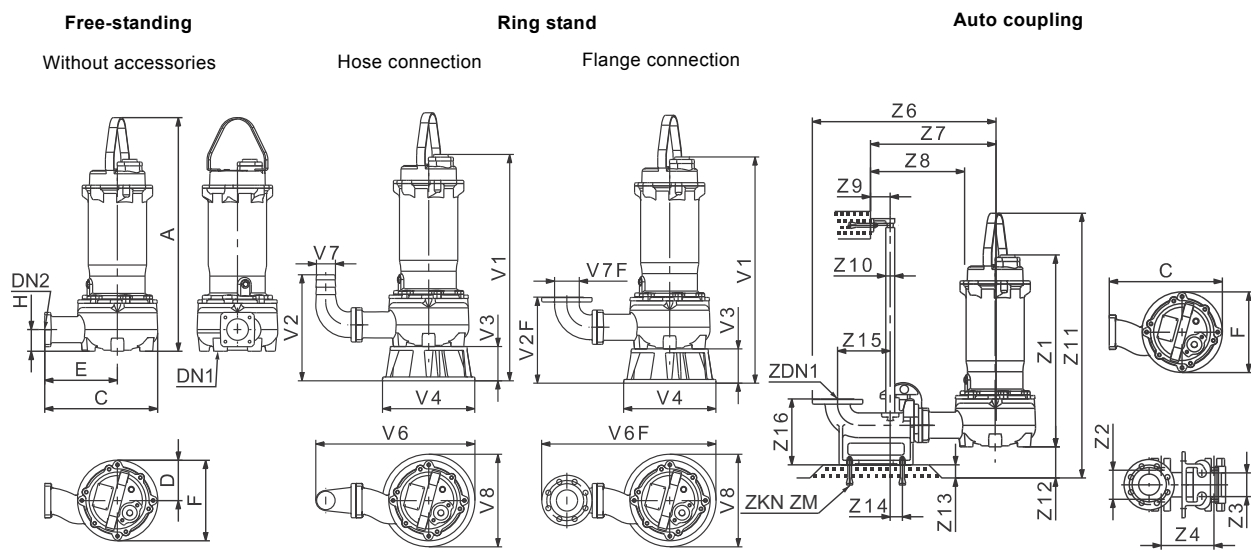
Pump type	Impeller type	Max. solids size [mm]	Max. number of starts per hour	Max. installation depth [m]	Enclosure class	Insulation class	Max. liquid temperature [°C]	pH
DPK.V.65.80.22.2	SuperVortex	65	20	20	68	F	40	4-10

DPK.V.65.80.22.4



TM06 5787 0216

Dimensional sketches



TM06 5285 4315

Dimensions

Pump type	Installation type	Dimensions [mm]								Weight* [kg]
		A	C	D	E	F	H	DN1	DN2	
DPK.V.65.80.22.4	Without accessories	715	410	165	245	329	85	65	80	78.5

Pump type	Installation type	Dimensions [mm]									
		V1	V2	V2F	V3	V4	V6	V6F	V7	V7F	V8
DPK.V.65.80.22.4	Ring stand	737	405	329	130	351	574	635	80	80	351

Pump type	Installation type	Dimensions [mm]																			
		C	F	Z1	Z2	Z3	Z4	Z6	Z7	Z8	Z9	Z10	Z11	Z12	Z13	Z14	Z15	Z16	ZDN1	ZKN	ZM
DPK.V.65.80.22.4	Auto coupling	410	329	607	130	90	200	843	619	442	75	1"	831	115	50	46	200	250	80	4 x M16	x 200

* With 10 m cable.

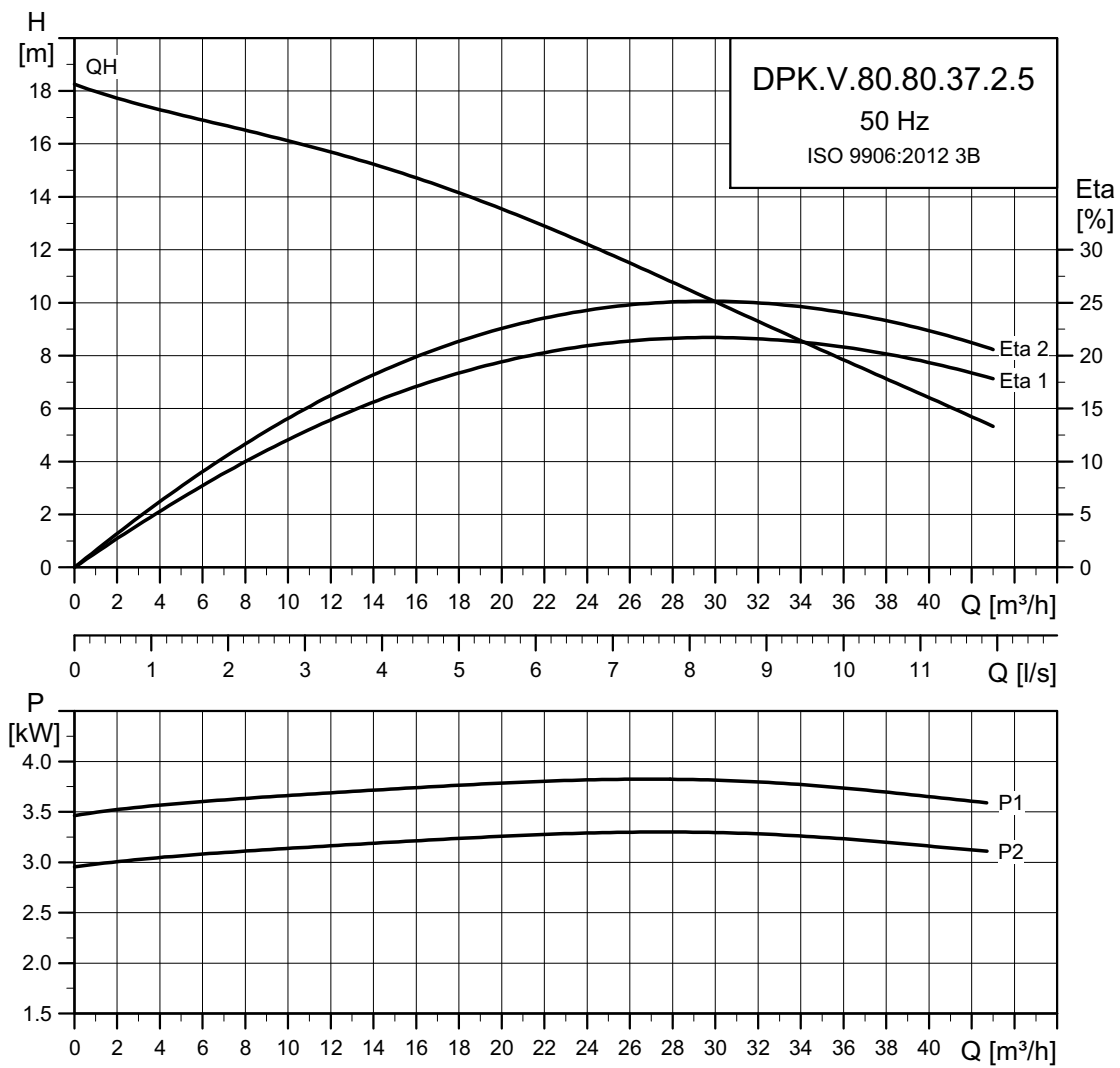
Electrical data

Pump type	Voltage [V]	P2 [kW]	min ⁻¹	Starting method	I _N [A]	η _{motor} [%]			Cos φ			Cable
						1/2	3/4	1/1	1/2	3/4	1/1	
DPK.V.65.80.22.4.5.0D	3 x 380-415 Y	2.2	1412	DOL	4.9	77.2	80.1	79.2	0.70	0.80	0.85	4 x 1.5 mm ² + 4 x 1.0 mm ²
DPK.V.65.80.22.4.5.0E	3 x 220-240 D	2.2	1412	DOL	8.5	77.2	80.1	79.2	0.70	0.80	0.85	4 x 1.5 mm ² + 4 x 1.0 mm ²

Pump data

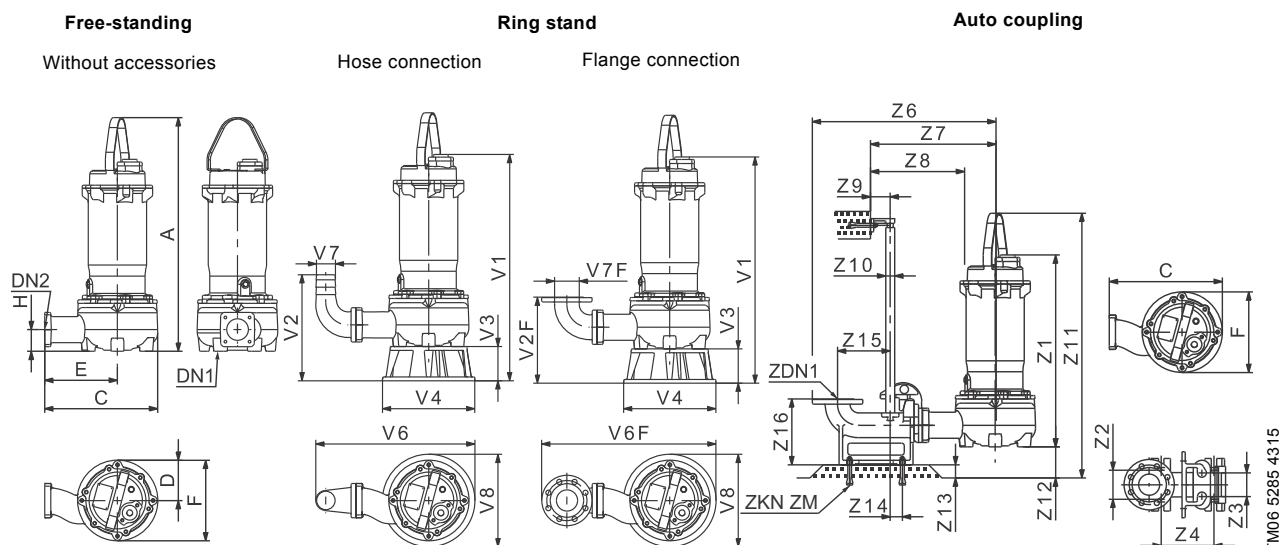
Pump type	Impeller type	Max. solids size [mm]	Max. number of starts per hour	Max. installation depth [m]	Enclosure class	Insulation class	Max. liquid temperature [°C]	pH
DPK.V.65.80.22.4	SuperVortex	65	20	20	68	F	40	4-10

DPK.V.80.80.37.2



TM06 6213 0816

Dimensional sketches



TM06 5285 4315

Dimensions

Pump type	Installation type	Dimensions [mm]								Weight* [kg]
		A	C	D	E	F	H	DN1	DN2	
DPK.V.80.80.37.2	Without accessories	728	429	153	276	306	82	80	80	79.9

Pump type	Installation type	Dimensions [mm]									
		V1	V2	V2F	V3	V4	V6	V6F	V7	V7F	V8
DPK.V.80.80.37.2	Ring stand	748	402	326	130	351	604	665.5	80	80	351

Pump type	Installation type	Dimensions [mm]																			
		C	F	Z1	Z2	Z3	Z4	Z6	Z7	Z8	Z9	Z10	Z11	Z12	Z13	Z14	Z15	Z16	ZDN1	ZKN	ZM
DPK.V.80.80.37.2	Auto coupling	429	306	618	130	90	200	851	626	473	75	1"	846	118	50	46	200	250	80	4 x M16	x 200

* With 10 m cable.

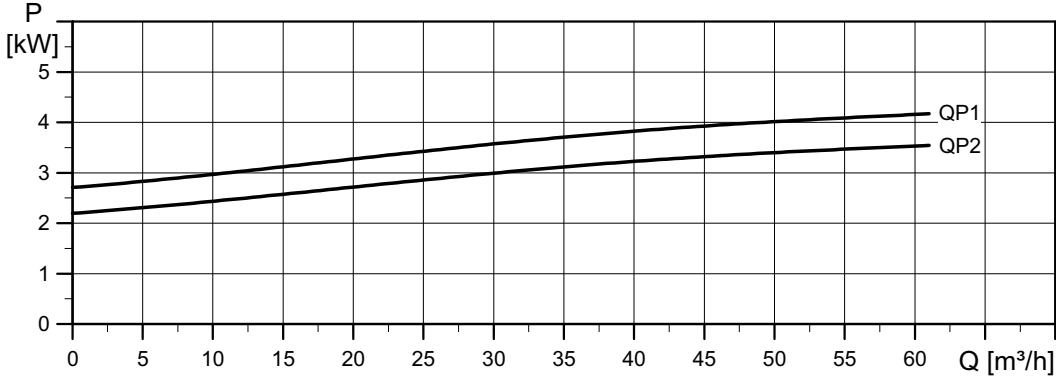
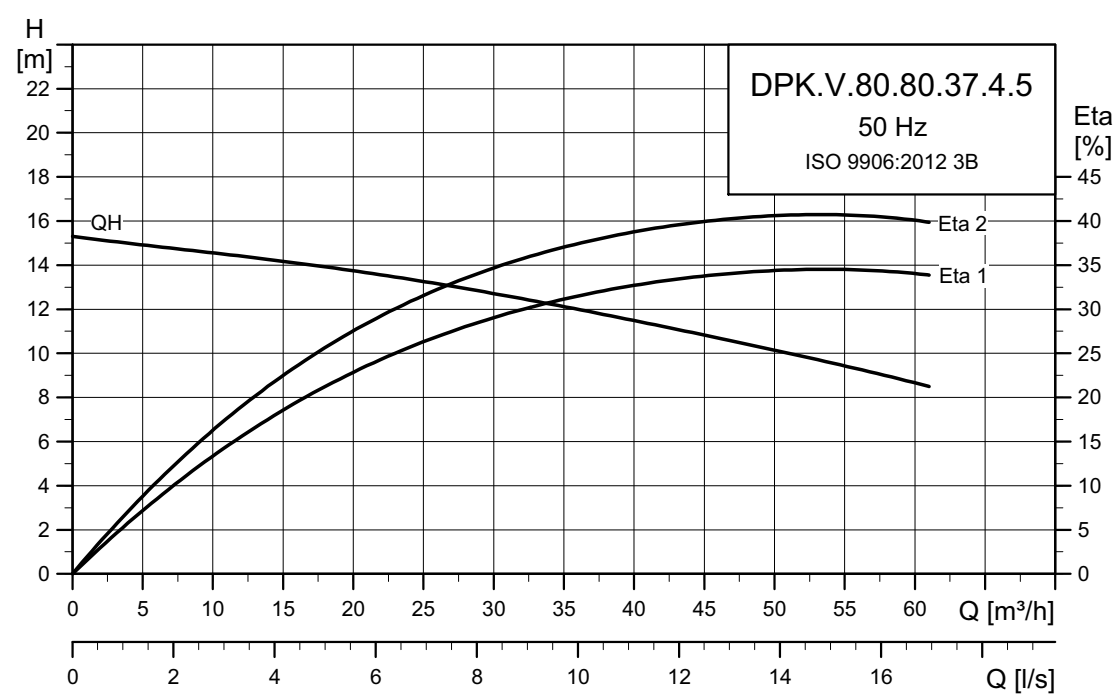
Electrical data

Pump type	Voltage [V]	P2 [kW]	min ⁻¹	Starting method	I _N [A]	η _{motor} [%]			Cos φ			Cable
						1/2	3/4	1/1	1/2	3/4	1/1	
DPK.V.80.80.37.2.5.0D	3 x 380-415 Y	3.7	2850	DOL	6.7	85.0	86.6	86.9	0.79	0.87	0.92	4 x 1.5 mm ² + 4 x 1.0 mm ²
DPK.V.80.80.37.2.5.0E	3 x 220-240 D	3.7	2850	DOL	11.6	85.0	86.6	86.9	0.79	0.87	0.92	4 x 2.5 mm ² + 4 x 1.0 mm ²

Pump data

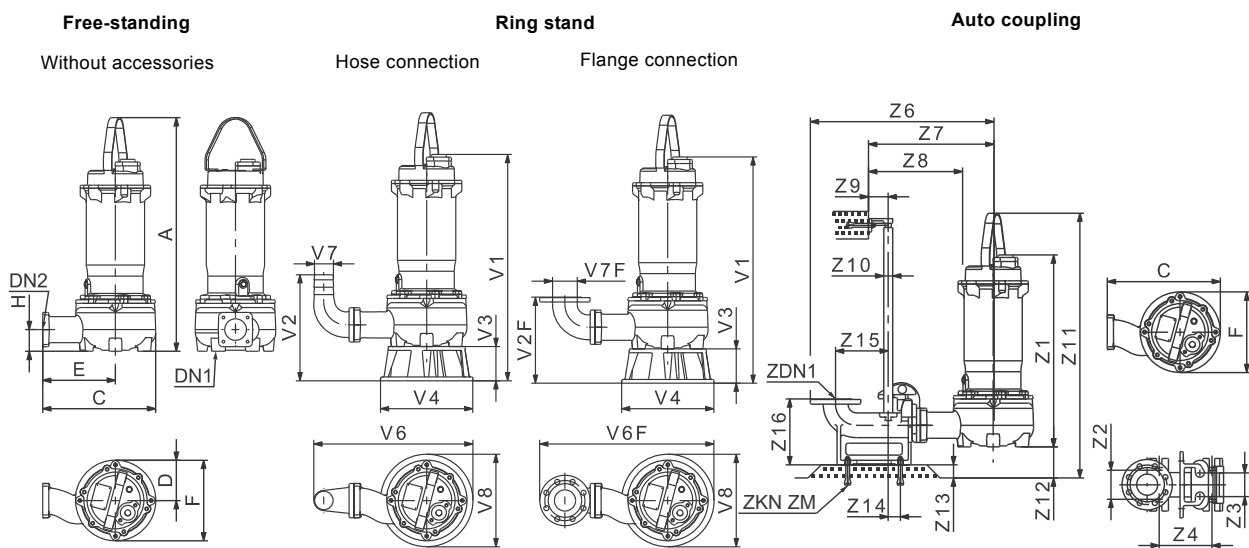
Pump type	Impeller type	Max. solids size [mm]	Max. number of starts per hour	Max. installation depth [m]	Enclosure class	Insulation class	Max. liquid temperature [°C]	pH
DPK.V.80.80.37.2	SuperVortex	80	20	20	68	F	40	4-10

DPK.V.80.80.37.4



TM06 5783 02.16

Dimensional sketches



TM06 5285 4315

Dimensions

Pump type	Installation type	Dimensions [mm]								Weight* [kg]
		A	C	D	E	F	H	DN1	DN2	
DPK.V.80.80.37.4	Without accessories	895	460	193	267	386	92	80	80	116.1

Pump type	Installation type	Dimensions [mm]									
		V1	V2	V2F	V3	V4	V6	V6F	V7	V7F	V8
DPK.V.80.80.37.4	Ring stand	867	412	336	130	351	612	674	80	80	351

Pump type	Installation type	Dimensions [mm]																			
		C	F	Z1	Z2	Z3	Z4	Z6	Z7	Z8	Z9	Z10	Z11	Z12	Z13	Z14	Z15	Z16	ZDN1	ZKN	ZM
DPK.V.80.80.37.4	Auto coupling	460	386	737	130	90	200	882	657	464	75	1"	1003	108	50	46	200	250	80	4 x M16	x 200

* With 10 m cable.

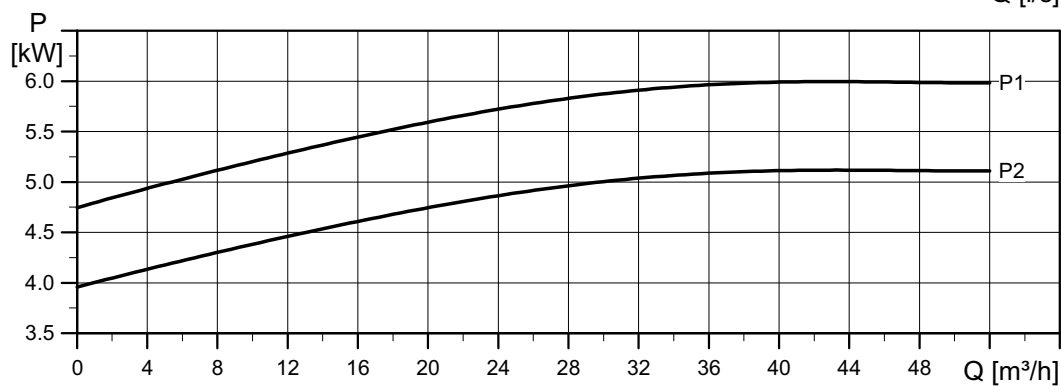
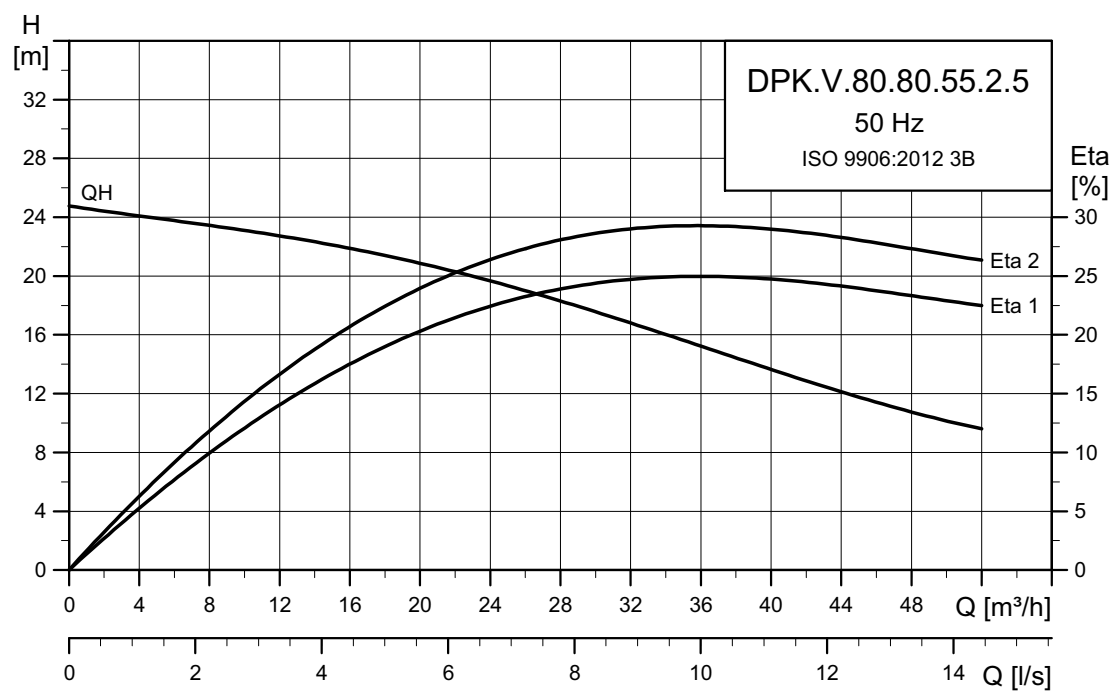
Electrical data

Pump type	Voltage [V]	P2 [kW]	min ⁻¹	Starting method	I _N [A]	η _{motor} [%]			Cos φ			Cable
						1/2	3/4	1/1	1/2	3/4	1/1	
DPK.V.80.80.37.4.5.0D	3 x 380-415 Y	3.7	1446	DOL	7.7	81.6	85.2	84.5	0.71	0.80	0.84	4 x 1.5 mm ² + 4 x 1.0 mm ²
DPK.V.80.80.37.4.5.0E	3 x 220-240 D	3.7	1446	DOL	13.4	81.6	85.2	84.5	0.71	0.80	0.84	4 x 2.5 mm ² + 4 x 1.0 mm ²

Pump data

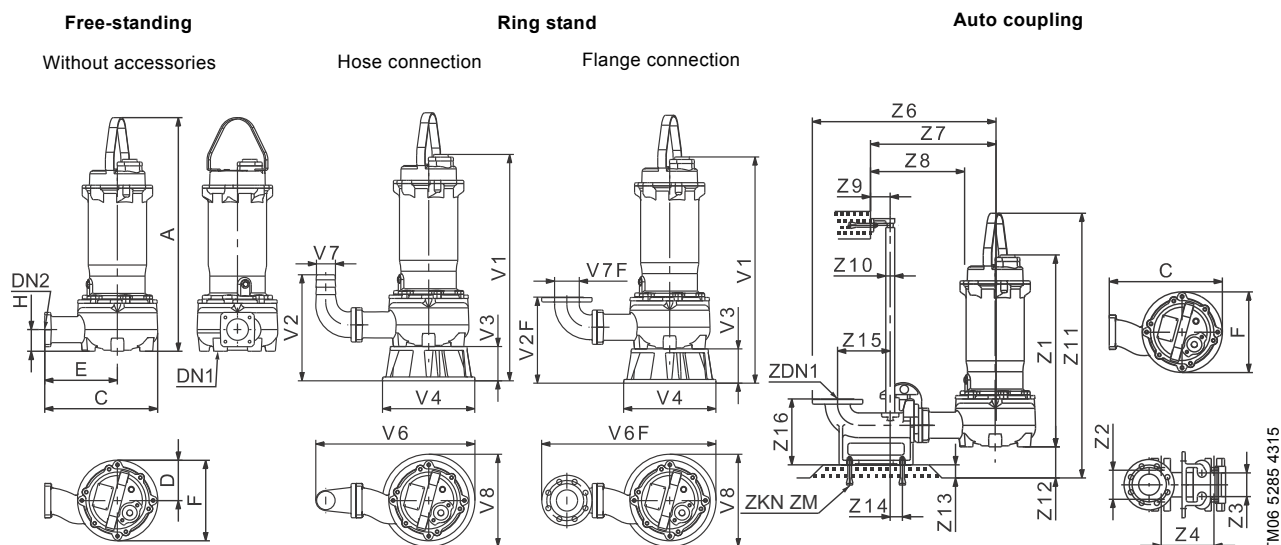
Pump type	Impeller type	Max. solids size [mm]	Max. number of starts per hour	Max. installation depth [m]	Enclosure class	Insulation class	Max. liquid temperature [°C]	pH
DPK.V.80.80.37.4	SuperVortex	80	20	20	68	F	40	4-10

DPK.V.80.80.55.2



TM06 6214 0816

Dimensional sketches



Dimensions

Pump type	Installation type	Dimensions [mm]								Weight* [kg]
		A	C	D	E	F	H	DN1	DN2	
DPK.V.80.80.55.2.5.0D	Without accessories									107.4
DPK.V.80.80.55.2.5.1D										107.5
DPK.V.80.80.55.2.5.0E		886	429	153	276	306	82	80	80	113.3
DPK.V.80.80.55.2.5.1E										111.4

Pump type	Installation type	Dimensions [mm]									
		V1	V2	V2F	V3	V4	V6	V6F	V7	V7F	V8
DPK.V.80.80.55.2	Ring stand	858	402	326	130	351	604	665.5	80	80	351

Pump type	Installation type	Dimensions [mm]																			
		C	F	Z1	Z2	Z3	Z4	Z6	Z7	Z8	Z9	Z10	Z11	Z12	Z13	Z14	Z15	Z16	ZDN1	ZKN	ZM
DPK.V.80.80.55.2	Auto coupling	429	306	728	130	90	200	851	626	473	75	1"	1004	118	50	46	200	250	80	4 x M16	x 200

* With 10 m cable.

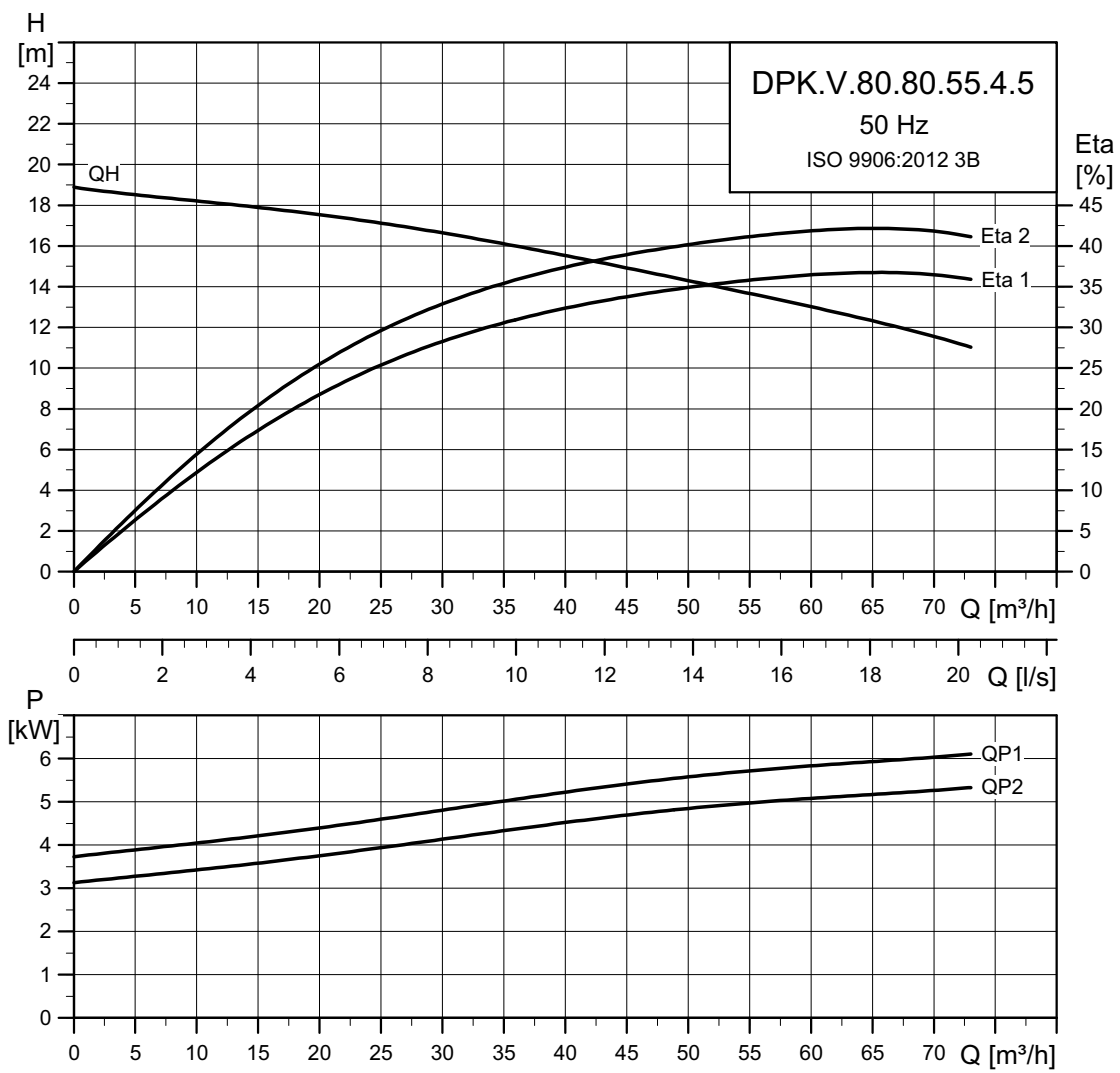
Electrical data

Pump type	Voltage [V]	P2 [kW]	min ⁻¹	Starting method	I _N [A]	η _{motor} [%]			Cos φ			Cable
						1/2	3/4	1/1	1/2	3/4	1/1	
DPK.V.80.80.55.2.5.0D	3 x 380-415 Y	5.5	2850	DOL	10.3	83.7	85.2	86.3	0.79	0.86	0.90	4 x 2.5 mm ² + 4 x 1.0 mm ²
DPK.V.80.80.55.2.5.1D	3 x 380-415 D	5.5	2850	Y/D	10.3	83.7	85.2	86.3	0.79	0.86	0.90	7 x 4.0 mm ² + 4 x 1.0 mm ²
DPK.V.80.80.55.2.5.0E	3 x 220-240 D	5.5	2850	DOL	17.8	83.7	85.2	86.3	0.79	0.86	0.90	4 x 4.0 mm ² + 4 x 1.0 mm ²
DPK.V.80.80.55.2.5.1E	3 x 220-240 D	5.5	2850	Y/D	17.8	83.7	85.2	86.3	0.79	0.86	0.90	7 x 4.0 mm ² + 4 x 1.0 mm ²

Pump data

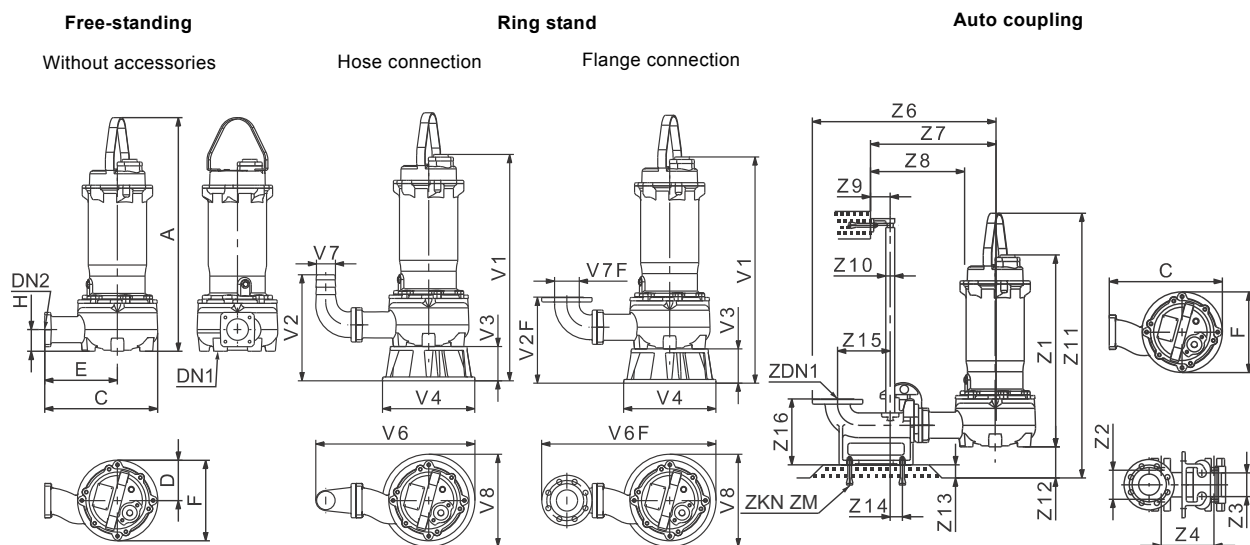
Pump type	Impeller type	Max. solids size [mm]	Max. number of starts per hour	Max. installation depth [m]	Enclosure class	Insulation class	Max. liquid temperature [°C]	pH
DPK.V.80.80.55.2	SuperVortex	80	20	20	68	F	40	4-10

DPK.V.80.80.55.4



TM06 5784 02 16

Dimensional sketches



TM06 5285 4315

Dimensions

Pump type	Installation type	Dimensions [mm]								Weight* [kg]
		A	C	D	E	F	H	DN1	DN2	
DPK.V.80.80.55.4	Without accessories	895	460	193	267	386	92	80	80	120.7

Pump type	Installation type	Dimensions [mm]									
		V1	V2	V2F	V3	V4	V6	V6F	V7	V7F	V8
DPK.V.80.80.55.4	Ring stand	867	412	336	130	351	612	674	80	80	351

Pump type	Installation type	Dimensions [mm]																			
		C	F	Z1	Z2	Z3	Z4	Z6	Z7	Z8	Z9	Z10	Z11	Z12	Z13	Z14	Z15	Z16	ZDN1	ZKN	ZM
DPK.V.80.80.55.4	Auto coupling	460	386	737	130	90	200	882	657	464	75	1"	1003	108	50	46	200	250	80	4 x M16	x 200

* With 10 m cable.

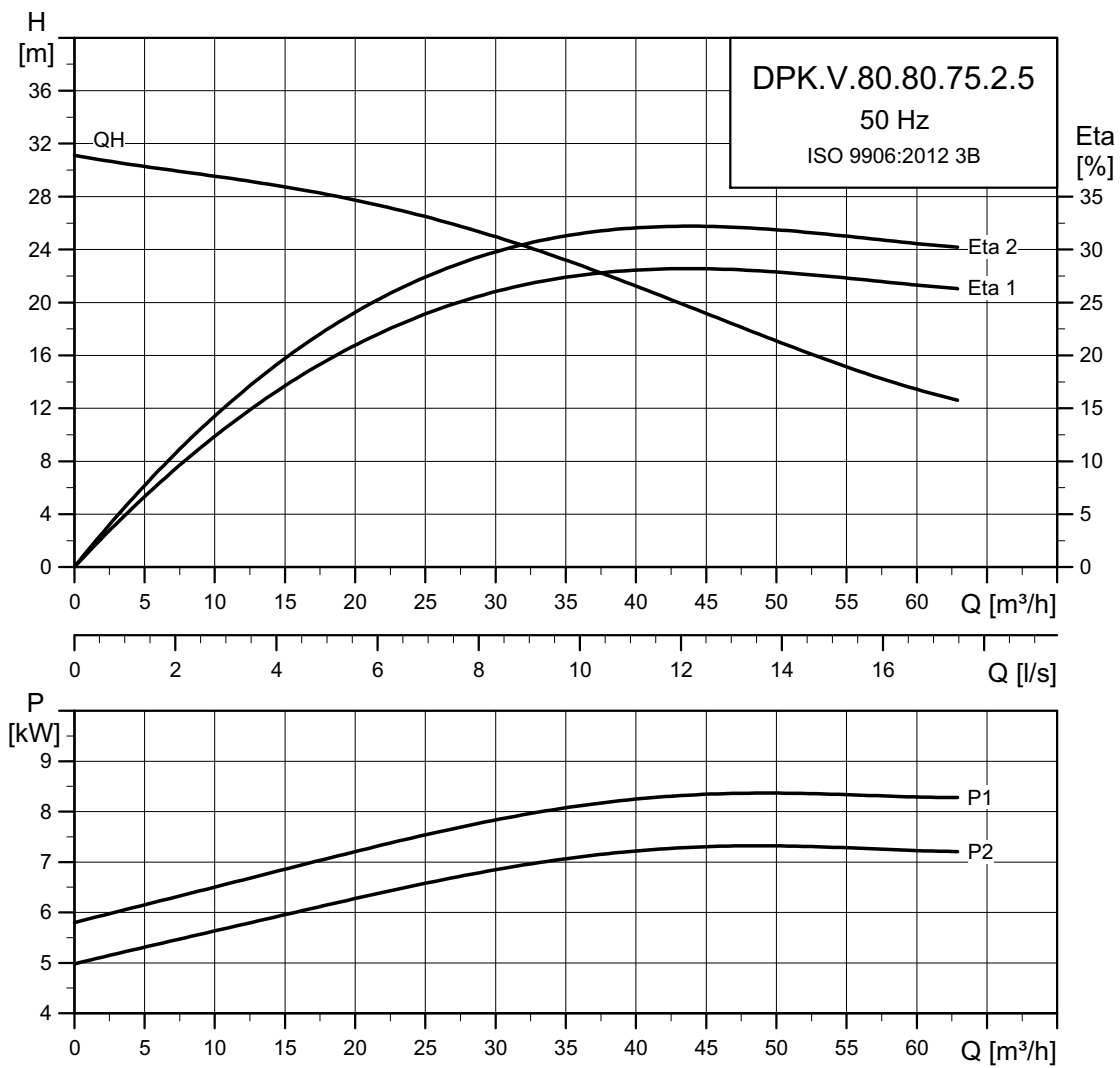
Electrical data

Pump type	Voltage [V]	P2 [kW]	min ⁻¹	Starting method	I _N [A]	η _{motor} [%]			Cos φ			Cable
						1/2	3/4	1/1	1/2	3/4	1/1	
DPK.V.80.80.55.4.5.0D	3 x 380-415 Y	5.5	1140	DOL	11.2	81.7	85.4	84.8	0.725	0.81	0.86	4 x 2.5 mm ² + 4 x 1.0 mm ²
DPK.V.80.80.55.4.5.1D	3 x 380-415 D	5.5	1140	Y/D	11.2	81.7	85.4	84.8	0.725	0.81	0.86	7 x 4.0 mm ² + 4 x 1.0 mm ²
DPK.V.80.80.55.4.5.0E	3 x 220-240 D	5.5	1140	DOL	19.4	81.7	85.4	84.8	0.725	0.81	0.86	4 x 4.0 mm ² + 4 x 1.0 mm ²
DPK.V.80.80.55.4.5.1E	3 x 220-240 D	5.5	1140	Y/D	19.4	81.7	85.4	84.8	0.725	0.81	0.86	7 x 4.0 mm ² + 4 x 1.0 mm ²

Pump data

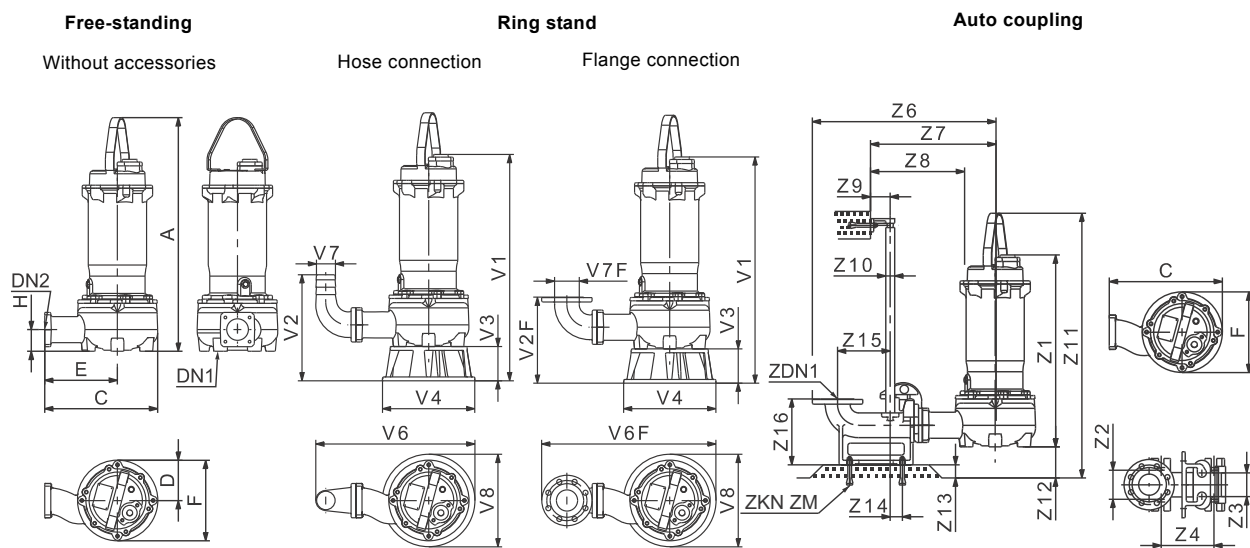
Pump type	Impeller type	Max. solids size [mm]	Max. number of starts per hour	Max. installation depth [m]	Enclosure class	Insulation class	Max. liquid temperature [°C]	pH
DPK.V.80.80.55.4	SuperVortex	80	20	20	68	F	40	4-10

DPK.V.80.80.75.2



TM06 6215 0816

Dimensional sketches



TM06 5285 4315

Dimensions

Pump type	Installation type	Dimensions [mm]								Weight* [kg]
		A	C	D	E	F	H	DN1	DN2	
DPK.V.80.80.75.2.5.0D	Without accessories	886	429	153	276	306	82	80	80	114.6
DPK.V.80.80.75.2.5.1D										119.7
DPK.V.80.80.75.2.5.0E										118.7
DPK.V.80.80.75.2.5.1E										118.5

Pump type	Installation type	Dimensions [mm]									
		V1	V2	V2F	V3	V4	V6	V6F	V7	V7F	V8
DPK.V.80.80.75.2	Ring stand	858	402	326	130	351	604	665.5	80	80	351

Pump type	Installation type	Dimensions [mm]																			
		C	F	Z1	Z2	Z3	Z4	Z6	Z7	Z8	Z9	Z10	Z11	Z12	Z13	Z14	Z15	Z16	ZDN1	ZKN	ZM
DPK.V.80.80.75.2	Auto coupling	429	306	728	130	90	200	851	626	473	75	1"	1004	118	50	46	200	250	80	4 x M16	x 200

* With 10 m cable.

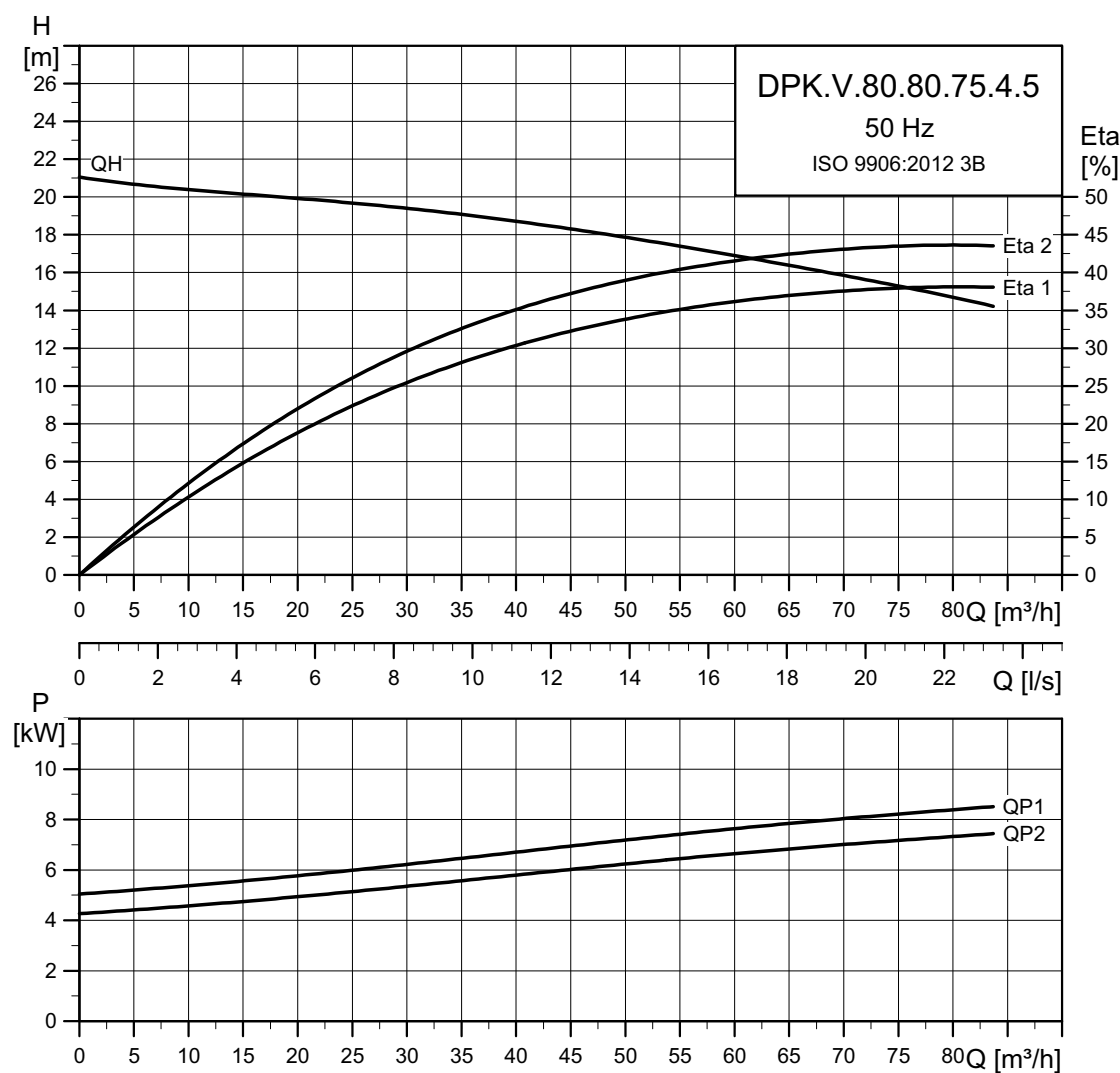
Electrical data

Pump type	Voltage [V]	P2 [kW]	min ⁻¹	Starting method	I _N		η _{motor} [%]			Cos φ			Cable
					[A]	1/2	3/4	1/1	1/2	3/4	1/1		
DPK.V.80.80.75.2.5.0D	3 x 380-415 Y	7.5	2850	DOL	13.5	86.4	86.8	88.7	0.83	0.88	0.91	4 x 4.0 mm ² + 4 x 1.0 mm ²	
DPK.V.80.80.75.2.5.1D	3 x 380-415 D	7.5	2850	Y/D	13.5	86.4	86.8	88.7	0.83	0.88	0.91	7 x 4.0 mm ² + 4 x 1.0 mm ²	
DPK.V.80.80.75.2.5.0E	3 x 220-240 D	7.5	2850	DOL	23.3	86.4	86.8	88.7	0.83	0.88	0.91	4 x 6.0 mm ² + 4 x 1.0 mm ²	
DPK.V.80.80.75.2.5.1E	3 x 220-240 D	7.5	2850	Y/D	23.3	86.4	86.8	88.7	0.83	0.88	0.91	7 x 4.0 mm ² + 4 x 1.0 mm ²	

Pump data

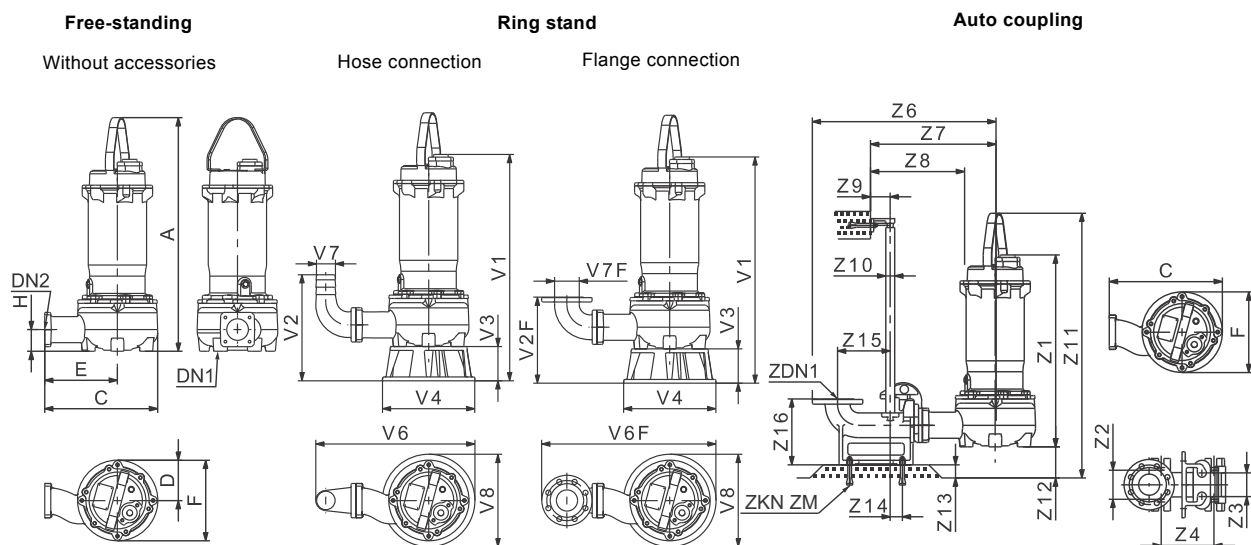
Pump type	Impeller type	Max. solids size [mm]	Max. number of starts per hour	Max. installation depth [m]	Enclosure class	Insulation class	Max. liquid temperature [°C]	pH
DPK.V.80.80.75.2	SuperVortex	80	20	20	68	F	40	4-10

DPK.V.80.80.75.4



TM06 5785 0216

Dimensional sketches



TM06 5285 4315

Dimensions

Pump type	Installation type	Dimensions [mm]								Weight* [kg]
		A	C	D	E	F	H	DN1	DN2	
DPK.V.80.80.75.4	Without accessories	895	460	193	267	386	92	80	80	130.0

Pump type	Installation type	Dimensions [mm]									
		V1	V2	V2F	V3	V4	V6	V6F	V7	V7F	V8
DPK.V.80.80.75.4	Ring stand	867	412	336	130	351	612	674	80	80	351

Pump type	Installation type	Dimensions [mm]																			
		C	F	Z1	Z2	Z3	Z4	Z6	Z7	Z8	Z9	Z10	Z11	Z12	Z13	Z14	Z15	Z16	ZDN1	ZKN	ZM
DPK.V.80.80.75.4	Auto coupling	460	386	737	130	90	200	882	657	464	75	1"	1003	108	50	46	200	250	80	4 x M16	x 200

* With 10 m cable.

Electrical data

Pump type	Voltage [V]	P2 [kW]	min ⁻¹	Starting method	I _N [A]	η _{motor} [%]			Cos φ			Cable
						1/2	3/4	1/1	1/2	3/4	1/1	
DPK.V.80.80.75.4.5.0D	3 x 380-415 Y	7.5	1440	DOL	14.9	82.8	86.1	85.8	0.73	0.81	0.87	4 x 4.0 mm ² + 4 x 1.0 mm ²
DPK.V.80.80.75.4.5.1D	3 x 380-415 D	7.5	1440	Y/D	14.9	82.8	86.1	85.8	0.73	0.81	0.87	7 x 4.0 mm ² + 4 x 1.0 mm ²
DPK.V.80.80.75.4.5.0E	3 x 220-240 D	7.5	1440	DOL	25.8	82.8	86.1	85.8	0.73	0.81	0.87	4 x 6.0 mm ² + 4 x 1.0 mm ²
DPK.V.80.80.75.4.5.1E	3 x 220-240 D	7.5	1440	Y/D	25.8	82.8	86.1	85.8	0.73	0.81	0.87	7 x 4.0 mm ² + 4 x 1.0 mm ²

Pump data

Pump type	Impeller type	Max. solids size [mm]	Max. number of starts per hour	Max. installation depth [m]	Enclosure class	Insulation class	Max. liquid temperature [°C]	pH
DPK.V.80.80.75.4	SuperVortex	80	20	20	68	F	40	4-10

11. Accessories

DWK

Description	Dimensions	DWK.O [kW]								DWK.E [kW]								Product number
		0.75	1.5	2.2	3.7	5.5	7.5	11	15	22	30	37	45	55	75	90		
Chain with shackle, galvanised	10 m	•	•	•	•	•	•	•	•								96884370	
	6 m	•	•	•	•	•	•	•	•								96884371	
	3 m	•	•	•	•	•	•	•	•								96884372	
Wire with clip, galvanised	10 m									•	•	•	•	•	•	•	96884373	
	6 m									•	•	•	•	•	•	•	96884374	
	3 m									•	•	•	•	•	•	•	96884375	
Coupling half, Storz coupling																		
50 mm	O-ring	∅3.1 x ∅60															96884376	
	Screws	4 x M8 x 30 mm																
	Washers	4 x M8																
80 mm	O-ring	∅3.1 x ∅60															96884377	
	Screws	4 x M8 x 30 mm																
	Washers	4 x M8																
80 mm	O-ring	∅3.1 x ∅105															96884378	
	Screws	4 x M10 x 30 mm																
	Washers	4 x M10																
100 mm	O-ring	∅3.1 x ∅105															96884379	
	Screws	4 x M10 x 30 mm																
	Washers	4 x M10																
150 mm	O-ring	∅3.1 x ∅105															96884380	
	Screws	4 x M10 x 30 mm																
	Washers	4 x M10																
100 mm	O-ring	∅3.5 x ∅150															96884381	
	Screws	5 x M12 x 35 mm																
	Washers	5 x M12																
150 mm	O-ring	∅3.1 x ∅158															96884382	
	Screws	5 x M12 x 35 mm																
	Washers	5 x M12																
150 mm	O-ring	∅5.7 x ∅180															96884383	
	Screws	6 x M16 x 45 mm																
	Washers	6 x M16																
150 mm	O-ring	∅5.7 x ∅180															96884384	
	Screws	6 x M16 x 55 mm																
	Washers	6 x M16																
10 m flat hose including Storz clamp																		
50 mm		•	•	•													96922517	
80 mm			•	•	•	•											96922518	
100 mm					•	•	•	•	•	•							96922520	
150 mm								•	•	•	•	•	•	•			96922521	
20 m flat hose including Storz clamp																		
50 mm		•	•	•													96922529	
80 mm			•	•	•	•											96922530	
100 mm					•	•	•	•	•	•							96922532	
150 mm								•	•	•	•	•	•	•			96922533	

Description	Dimensions	DWK.O [kW]							DWK.E [kW]							Product number
		0.75	1.5	2.2	3.7	5.5	7.5	11	15	22	30	37	45	55	75	
Outlet flange, JIS, including flange coupling																
50 mm	O-ring	∅3.1 x ∅60														
	Screws	4 x M8 x 30 mm	•	•	•											
	Washers	4 x M8														
80 mm	O-ring	∅3.1 x ∅60														
	Screws	4 x M8 x 30 mm		•	•											
	Washers	4 x M8														
80 mm	O-ring	∅3.1 x ∅105														
	Screws	4 x M10 x 30 mm				•	•									
	Washers	4 x M10														
100 mm	O-ring	∅3.1 x ∅105														
	Screws	4 x M10 x 30 mm				•	•	•	•	•						
	Washers	4 x M10														
150 mm	O-ring	∅3.1 x ∅105														
	Screws	4 x M10 x 30 mm						•	•	•						
	Washers	4 x M10														
100 mm	Gasket	150														
	Screws	5 x M12 x 35 mm								•						
	Washers	5 x M12														
150 mm	Gasket	150														
	Screws	5 x M12 x 35 mm								•	•					
	Washers	5 x M12														
150 mm	Gasket	150														
	Screws	6 x M16 x 55 mm										•	•			
	Washers	6 x M16														
150 mm	Gasket	150														
	Screws	6 x M16 x 55 mm												•		
	Washers	6 x M16														
200 mm	Gasket	150														
	Screws	5 x M12 x 35 mm									•					
	Washers	5 x M12														
200 mm	Gasket	150														
	Screws	6 x M16 x 55 mm										•	•			
	Washers	6 x M16														
200 mm	Gasket	150														
	Screws	6 x M16 x 55 mm												•	•	•
	Washers	16 x M6														
Outlet flange, DIN, including flange coupling																
50 mm	O-ring	∅3.1 x ∅60														
	Screws	4 x M8 x 30 mm	•	•	•											
	Washers	4 x M8														
80 mm	O-ring	∅3.1 x ∅60														
	Screws	4 x M8 x 30 mm		•	•											
	Washers	4 x M8														
80 mm	O-ring	∅3.1 x ∅105														
	Screws	4 x M10 x 30 mm				•	•									
	Washers	4 x M10														
100 mm	O-ring	∅3.1 x ∅105														
	Screws	4 x M10 x 30 mm				•	•	•	•	•						
	Washers	4 x M10														
150 mm	O-ring	∅3.1 x ∅105														
	Screws	4 x M10 x 30 mm						•	•	•						
	Washers	4 x M10														
100 mm	Gasket	150														
	Screws	5 x M12 x 35 mm									•					
	Washers	5 x M12														

Description	Dimensions	DWK.O [kW]								DWK.E [kW]							Product number			
		0.75	1.5	2.2	3.7	5.5	7.5	11	15	22	30	37	45	55	75	90				
150 mm	Gasket	150																		96922573
	Screws	5 x M12 x 35 mm								•	•									
	Washers	5 x M12																		
150 mm	Gasket	150																		96922574
	Screws	6 x M16 x 45 mm										•	•							
	Washers	6 x M16																		
150 mm	Gasket	150																		96922575
	Screws	6 x M16 x 55 mm												•						
	Washers	6 x M16																		
200 mm	Gasket	150																		96922576
	Screws	5 x M12 x 35 mm																		
	Washers	5 x M12																		
200 mm	Gasket	150																		96922577
	Screws	6 x M16 x 45 mm																		
	Washers	6 x M16																		
200 mm	Gasket	150																		96922578
	Screws	6 x M16 x 55 mm																		
	Washers	6 x M16																		
Outlet flange, ANSI, including flange coupling																				
2"	O-ring	∅3.1 x ∅60																		96922579
	Screws	4 x M8 x 30 mm	•	•	•															
	Washers	4 x M8																		
3"	O-ring	∅3.1 x ∅60																		96922580
	Screws	4 x M8 x 30 mm		•	•															
	Washers	4 x M8																		
3"	O-ring	∅3.1 x ∅105																		96922581
	Screws	4 x M10 x 30 mm				•	•													
	Washers	4 x M10																		
4"	O-ring	∅3.1 x ∅105																		96922582
	Screws	4 x M10 x 30 mm				•	•	•	•	•										
	Washers	4 x M10																		
6"	O-ring	∅3.1 x ∅105																		96922583
	Screws	4 x M10 x 30 mm																		
	Washers	10																		
4"	O-ring	150																		96922584
	Screws	5 x M12 x 35 mm																		
	Washers	5 x M12																		
6"	O-ring	150																		96922585
	Screws	5 x M12 x 35 mm																		
	Washers	5 x M12																		
6"	Gasket	150																		96922586
	Screws	6 x M16 x 45 mm																		
	Washers	6 x M16																		
6"	Gasket	150																		96922587
	Screws	6 x M16 x 55 mm																		
	Washers	6 x M16																		
8"	Gasket	150																		96922588
	Screws	5 x M12 x 35 mm																		
	Washers	5 x M12																		
8"	Gasket	150																		96922589
	Screws	6 x M16 x 45 mm																		
	Washers	6 x M16																		
8"	Gasket	150																		96922590
	Screws	6 x M16 x 55 mm																		
	Washers	6 x M16																		

Description	Dimensions	DWK.O [kW]							DWK.E [kW]							Product number	
		0.75	1.5	2.2	3.7	5.5	7.5	11	15	22	30	37	45	55	75		90
Outlet for hose including hose coupling																	
50 mm	O-ring	∅3.1 x ∅60															96922591
	Screws	4 x M8 x 30 mm															
	Washers	4 x M8															
80 mm	O-ring	∅3.1 x ∅60															96922592
	Screws	4 x M8 x 30 mm															
	Washers	4 x M8															
80 mm	O-ring	∅3.1 x ∅105															96922593
	Screws	4 x M10 x 30 mm															
	Washers	4 x M10															
100 mm	O-ring	∅3.1 x ∅105															96922594
	Screws	4 x M10 x 30 mm															
	Washers	4 x M10															
150 mm	O-ring	∅3.1 x ∅105															96922595
	Screws	4 x M10 x 30 mm															
	Washers	4 x M10															
100 mm	O-ring	∅3.5 x ∅150															96922596
	Screws	5 x M12 x 35 mm															
	Washers	5 x M12															
150 mm	O-ring	∅3.1 x ∅158															96922597
	Screws	5 x M12 x 35 mm															
	Washers	5 x M12															
150 mm	O-ring	∅5.7 x ∅180															96922598
	Screws	6 x M16 x 55 mm															
	Washers	6 x M16															
150 mm	O-ring	∅5.7 x ∅180															96922599
	Screws	6 x M16 x 55 mm															
	Washers	6 x M16															
200 mm	O-ring	∅5.7 x ∅180															96922600
	Screws	5 x M12 x 35 mm															
	Washers	5 x M12															
200 mm	O-ring	∅5.7 x ∅180															96922601
	Screws	6 x M16 x 55 mm															
	Washers	6 x M16															
200 mm	O-ring	∅5.7 x ∅180															96922602
	Screws	6 x M16 x 55 mm															
	Washers	6 x M16															
GU01		•	•	•	•	•	•	•	•	•	•	•	•	•	•	•	96922603
GU02					•	•	•	•	•	•	•	•	•	•	•	•	96922604

DPK

Description	Dimensions	DPK [kW]										Product number	
		0.75	1.5	2.2	3.7	5.5	7.5	11	15	19	22		
Chain with shackle, galvanised	10 m	•	•	•	•	•	•	•	•				96884370
	6 m	•	•	•	•	•	•	•	•				96884371
	3 m	•	•	•	•	•	•	•	•				96884372
Wire with clip, galvanised	10 m									•	•		96884373
	6 m									•	•		96884374
	3 m									•	•		96884375
Outlet elbow for JIS flange including flange coupling													
50 mm	Gasket	50 mm											96922605
	Screws	4 x M10 x 30 mm	•	•									
	Washers	4 x M10											
80 mm	Gasket	80 mm											96922606
	Screws	4 x M12 x 35 mm			•	•	•						
	Washers	4 x M12											
100 mm	Gasket	100 mm											96922607
	Screws	4 x M12 x 40 mm						•	•	•			
	Washers	4 x M12											
150 mm	Gasket	150 mm											96922608
	Screws	4 x M20 x 65 mm									•	•	
	Washers	4 x M20											
Outlet elbow for DIN flange including flange coupling													
50 mm	Gasket	50 mm											96922609
	Screws	4 x M10 x 30 mm	•	•									
	Washers	4 x M10											
80 mm	Gasket	80 mm											96922610
	Screws	4 x M12 x 35 mm			•	•	•						
	Washers	4 x M12											
100 mm	Gasket	100 mm											96922611
	Screws	4 x M12 x 40 mm						•	•	•			
	Washers	4 x M12											
150 mm	Gasket	150 mm											96922612
	Screws	4 x M20 x 65 mm									•	•	
	Washers	4 x M20											
Outlets elbow for ANSI flange including flange coupling													
2"	Gasket	2"											96922613
	Screws	4 x M10 x 30 mm	•	•									
	Washers	4 x M10											
3"	Gasket	3"											96922614
	Screws	4 x M12 x 35 mm			•	•	•						
	Washers	4 x M12											
4"	Gasket	4"											96922615
	Screws	4 x M12 x 40 mm						•	•	•			
	Washers	4 x M12											
6"	Gasket	6"											96922616
	Screws	4 x M20 x 65 mm									•	•	
	Washers	4 x M20											

Description	Dimensions	DPK [kW]										Product number
		0.75	1.5	2.2	3.7	5.5	7.5	11	15	19	22	
Outlet elbow for hose connection including hose coupling												
50 mm	Gasket	50 mm										96922617
	Screws	4 x M10 x 30 mm	•	•								
	Washers	4 x M10										
80 mm	Gasket	80 mm										96922618
	Screws	4 x M12 x 35 mm			•	•	•					
	Washers	4 x M12										
100 mm	Gasket	100 mm										96922619
	Screws	4 x M12 x 40 mm					•	•	•			
	Washers	4 x M12										
150 mm	Gasket	150 mm										96922620
	Screws	4 x M20 x 65 mm								•	•	
	Washers	4 x M20										
	Nuts	4 x M20										
Auto coupling (ADC-T) for JIS flange, without anchor bolts and guide rails												
50 mm		•	•									96922621
80 mm				•	•	•						96922622
100 mm							•	•	•			96922623
150 mm										•	•	96922624
Auto coupling (ADC-T) for DIN flange, without anchor bolts and guide rails												
50 mm		•	•									96922625
80 mm				•	•	•						96936832
100 mm							•	•	•			96922627
150 mm										•	•	96922628
Auto coupling (ADC-T) for ANSI flange, without anchor bolts and guide rails												
2"		•	•									96922629
3"				•	•	•						96922630
4"							•	•	•			96922631
6"										•	•	96922632
Hydraulic seal	50 mm	•	•									96936839
	80 mm			•	•	•						96936840
	100 mm						•	•	•			96936841
	150 mm									•	•	96936842
Anchor bolts for auto coupling (ADC-T)	4 x M16 x 200 mm for ADC-T 50 mm	•	•									96922633
	4 x M16 x 200 mm for ADC-T 80 mm			•	•	•						96922634
	4 x M16 x 200 mm for ADC-T 100 mm						•	•	•			96922635
	4 x M20 x 200 mm for ADC-T 150 mm									•	•	96922636
Control system	GU01	•	•	•	•	•	•	•	•	•	•	96922603
	GU02				•	•	•	•	•	•	•	96922604
Ring stand including screws and washers												
Outlet 80 mm	Screws	3 x M8 x 35 mm				•	•					96936843
	Washers	3 x M8										
Outlet 100 mm	Screws	3 x M12 x 45 mm						•	•	•		96936844
	Washers	3 x M12										
Outlet 150 mm	Screws	3 x M12 x 40 mm								•	•	96936845
	Washers	3 x M12										

DPK.V

Description	Dimensions	DPK.V [kW]					Product number	
		1.5	2.2	3.7	5.5	7.5		
Outlet elbow for JIS flange including auto coupling								
80 mm	Gasket	80 mm	•	•	•	•	•	96922606
	Screws	4 x M12 x 35 mm						
	Washers	4 x M12						
Outlet elbow for DIN flange including auto coupling								
80 mm	Gasket	80 mm	•	•	•	•	•	96922610
	Screws	4 x M12 x 35 mm						
	Washers	4 x M12						
Outlet elbow for ANSI flange including auto coupling								
80 mm	Gasket	80 mm	•	•	•	•	•	96922614
	Screws	4 x M12 x 35 mm						
	Washers	4 x M12						
Outlet elbow for hose connection including hose coupling								
80 mm	Gasket	80 mm	•	•	•	•	•	96922618
	Screws	4 x M12 x 35 mm						
	Washers	4 x M12						
Ring stand including screws and washers for free-standing installations								
Outlet 80 mm	Screws	3 x M12 x 45 mm	•	•	•	•	•	98832022
	Washers	3 x M12						
Ring stand including screws and washers for free-standing installations*								
Outlet 80 mm	Screws	3 x M8 x 35 mm	•	•				98981831
	Washers	3 x M8						
Auto coupling (ADC-T) for JIS flange, without anchor bolts and guide rails								
80 mm			•	•	•	•	•	96922622
Auto coupling (ADC-T) for DIN flange, without anchor bolts and guide rails								
80 mm			•	•	•	•	•	96936832
Auto coupling (ADC-T) for ANSI flange, without anchor bolts and guide rails								
3"			•	•	•	•	•	96922630
Hydraulic seal	80 mm		•	•	•	•	•	96936840
Anchor bolts for auto coupling (ADC-T)	4 x M16 x 200 mm for ADC-T 80 mm		•	•	•	•	•	96922634
Chain with shackle, galvanised steel	3 m		•	•	•	•	•	96884372
	6 m							96884371
	10 m							96884370
Adaptors for T-model with accessories	80-80 connection (with rubber seal)		•	•	•	•	•	98980062
	100-80 connection (without rubber seal)		•	•	•	•	•	99033566
Control system	GU01		•	•	•	•	•	96922603
	GU02		•	•	•	•	•	96922604

* Only for 2-pole pumps.