

► Our technology. Your success.

Pumps • Valves • Service



AU Series: Self-priming centrifugal pumps



Applications

- Draining and drying foundations and building sites
- Water transfer from rivers and canals
- Draining of mine and quarry faces
- Draining ship bilges
- Floods
- Extinguishing fires in rural areas
- Emergency water supplying

More information:

www.ksb.com/products

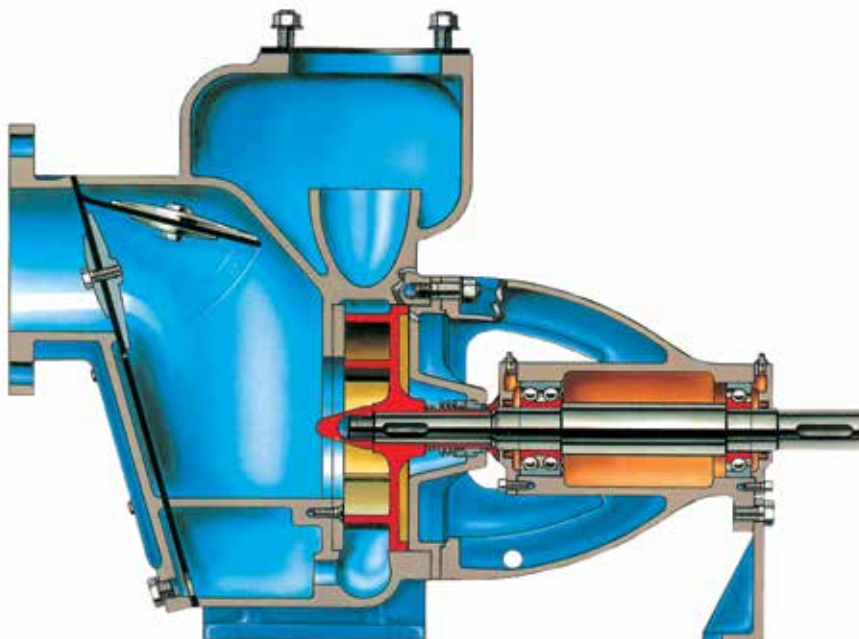


AU in bare shaft design



AU in close coupled design

AU Series: Self-priming centrifugal pumps



AU SERIES

- Self-priming**
 - It is only necessary the pump casing to remain filled by fluid
- Pumping waste water**
 - Semi opened impeller allowing a large ball passage, up to 45 mm
- Versatile**
 - Versions in bare shaft, monobloc, on a base plate...
The AU Series are suitable to be driven by electric motor, gasoline
- Robust**
 - Oversized shafts and bearings
- Multiple accessories**
 - Depending on the installation: base plate for a fixed installation, on a manual trolley, on a trailer with pneumatic wheels, brake for towing behind vehicle, etc

AU/AU Monobloc Materials

Pump casing	Grey cast iron EN-GJL-250 Bronze CC491K-GS Stainless steel A 351 Gr CF8M
Casing cover	Grey cast iron EN-GJL-250 Bronze CC491K-GS Stainless steel A 351 Gr CF8M
Shaft	Hot rolled chrome nickel molybdenum steel 1.4404
Impeller	Grey cast iron EN-GJL-250 Bronze CC480K-GS Stainless steel A 743 Gr CF8M
Bearing pedestal	Grey cast iron EN-GJL-250
Wear plate	Grey cast iron EN-GJL-250 Bronze CC493K-GC Stainless steel A 743 Gr CF8M

Technical Data*

Sizes	DN 40 to 200
Flow	max. 600 m ³ /h
Pressure	max. 10 bar
Temperature	-10 to +80 °C

* For any application beyond this limit, please consult KSB.
All data given in this document are fully standard construction.