

WKB – Vertical, Multistage, Heavy-duty Single-casing Pump Type VS1



Sizes 40 to 150
(DN 50 to DN 200)



Applications:

- Processes with critical NPSH conditions in chemical and petrochemical industries
- Condensate extraction
- Tank storage
- Pipeline services
- Liquefied gas
- Refineries

More information: www.ksb.com

WKB – Vertical, Multistage, Heavy-duty Single-casing Pump Type VS1 to API 610 / ISO 13709

1 Fabricated design

Pump head is designed and welded according to ASME code to meet API nozzle load requirements. Suction areas designed for discharge pressure.

- Custom nozzle orientation available on request

2 Flexible installation

Circular or rectangular sole plate allows easy adaptation to different installation conditions.

3 Robust radial bearings

Product-lubricated carbon guide bearings with bearing span below requirements of API 610 ensure low vibrations and reliable operation.

- Other guide bearing materials available on request

4 Integral thrust bearings

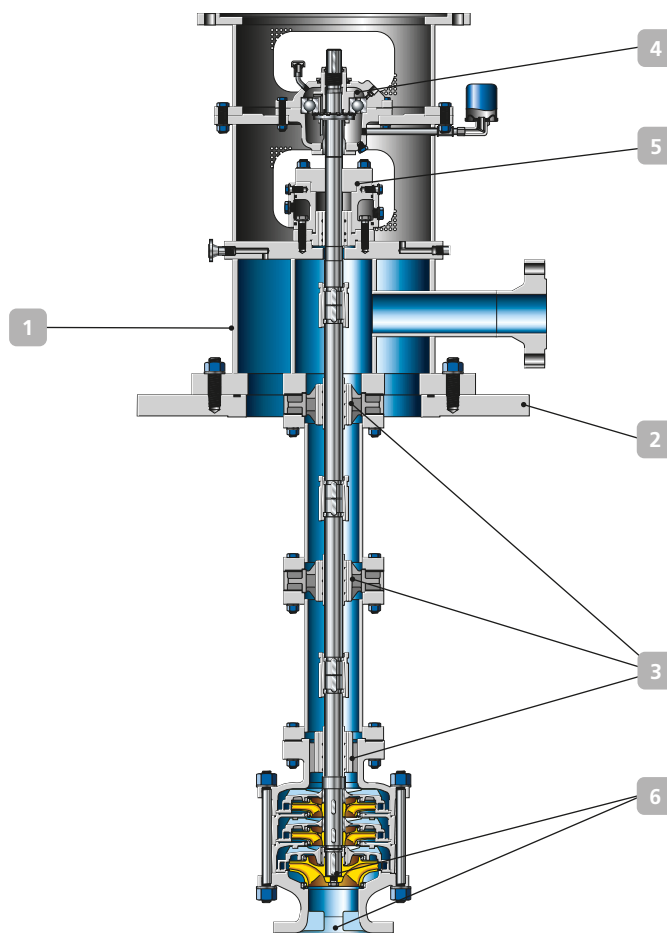
Oil-lubricated bearings integrated in the pump exceed the life requirements specified by API 610, reducing maintenance costs and work. Bearings located at the motor are not subjected to thrust forces from pump.

- Oil mist lubrication available on request

5 Variety of seals

Seal chamber with optional heating/cooling jacket, designed to API 610 allows installation of any API 682 seal to meet specific process requirements.

- Gland packing available on request



6 Suction hydraulics

First-stage impeller designed for enhanced suction performance ensures low NPSH values and a short pump design. Bellmouth with flow guide vanes guarantees low-turbulence operation.

- Inducer available on request

Materials

S5, S6, S8, C6, A8, D1, D2

Technical data

	50 Hz	60 Hz
Max. flow rate	300 m ³ /h / 1321 US gpm	350 m ³ /h / 1541 US gpm
Max. head	500 m / 1640 ft	
Max. pressure	51 bar / 740 psi	
Max. temperature	-45 to + 250 °C / -49 to 782 °F	
Nominal size	50 to 200 mm / 2 to 8 in	
Max. immersion depth	6 m / 492 ft	

Other values on request



KSB SE & Co. KGaA
Johann-Klein-Straße 9
67227 Frankenthal (Germany)
www.ksb.com