

Performances selon norme ISO 9906 - Annexe A

Liquid temperature:

Informations valables pour:

Eau, claire [100%]; 4°C; 1000kg/m³; 1,57mm²/s

-10°C (14°F) to +110 °C (230°F) for heating pumps

-10°C (14°F) to +85 °C (185°F) for domestic hot water pumps



**Caractéristiques pompe**

Fabricant	Lowara
Port to port (mm)	280
Electrical connection	Terminals
Specific EEI	<= 0,23
Nominal pressure	PN 6/10
Connection	A bride / DN 50

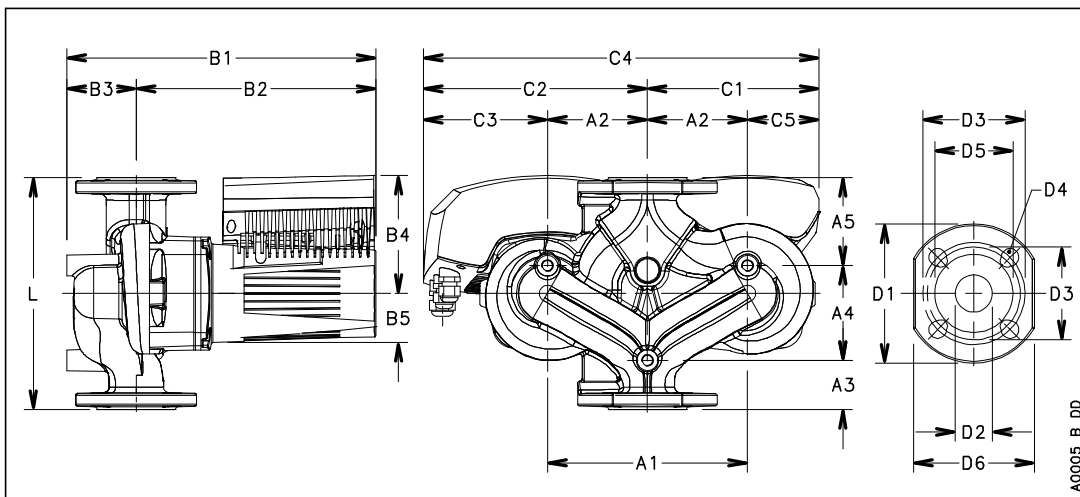
**Electrical data**

Rated voltage	230 V
Fréquence	50 / 60
Protection class	IP 44
Classe d'isolation	F
Digital input	Contact load: 5V, 10 mA
Digital output	Vmax < 250 VAC / Imax < 2 A
Analog input	0-10 V / 4-20 mA
Courant de fuite	< 3.5 mA
Communication capabilities	No communication protocol
Niveau sonore	<= 60 dB(A)
Dimensioning current	5,1 A

**Materials**

Bush Bearing	Carbone imprégné de résine	Roue	PPS
Thrust bearing	Oxide d'aluminum	Wear ring	Acier inox
Bearing plate	Acier inox	Rotor can	Acier inox
Motor housing	Aluminum	Arbre	Acier inox
O-rings	EPDM	Control box	Poly carbonate
Pump housing	EN-GJL		

**Dimensions mm**



A1	240
A2	120
A3	70
A4	105
A5	105
B1	396,5
B2	308
B3	88,5
B4	147
B5	61
C1	227
C2	266
C3	146
C4	494
C5	107
D1	165
D2	50
D3	110/125
D4	4x14/19
D5	99
G	DN 50
Gross Weight	49,8