

Parts List IMA 61 111 150 185 RAD.

Thermobile Industries BV +31(0)76 587 34 50

Fax +31 (0)76 587 27 89 info@thermobile.nl www.thermobile.com

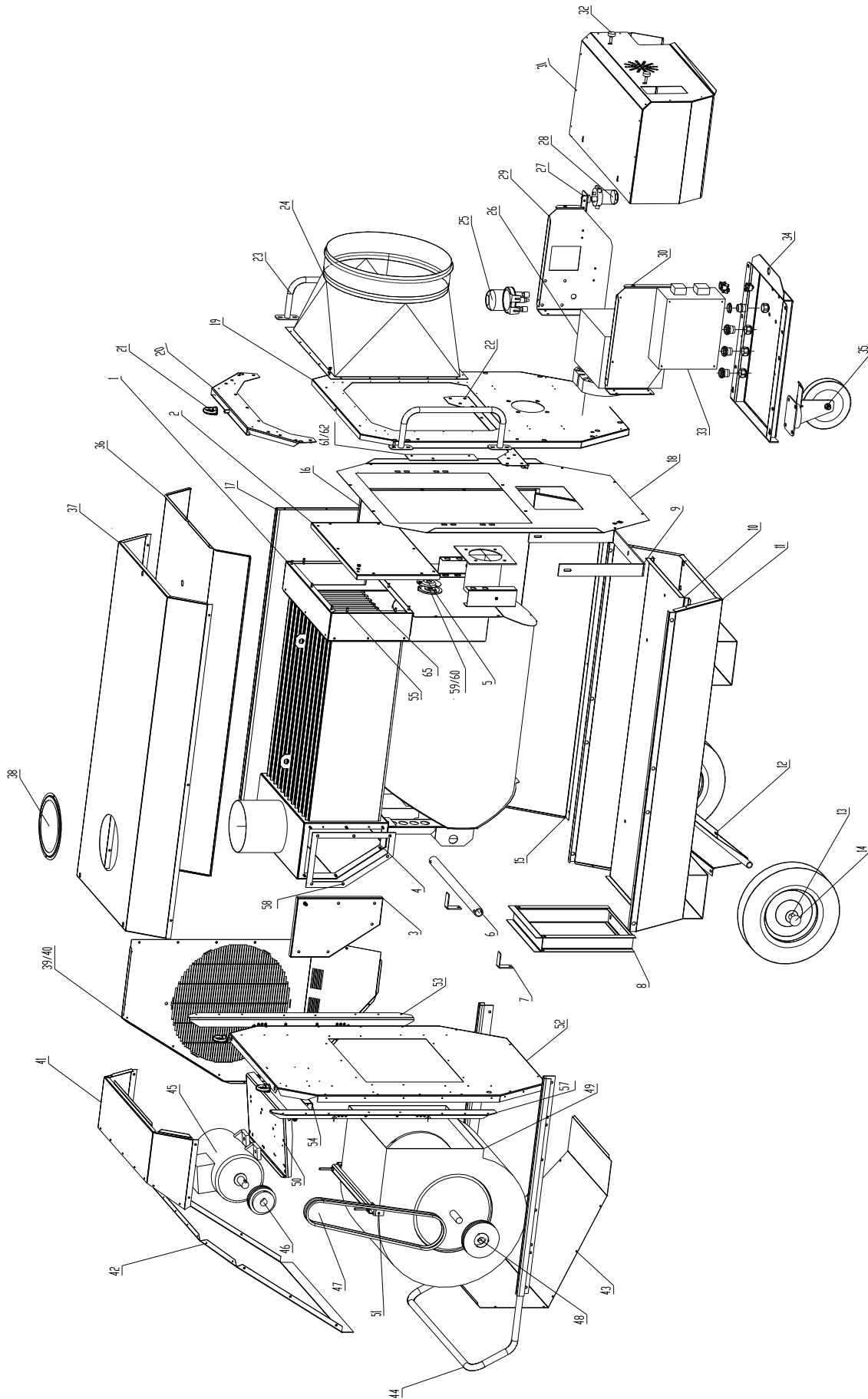
Thermobile UK Ltd +44 (0) 2476 35 79 60

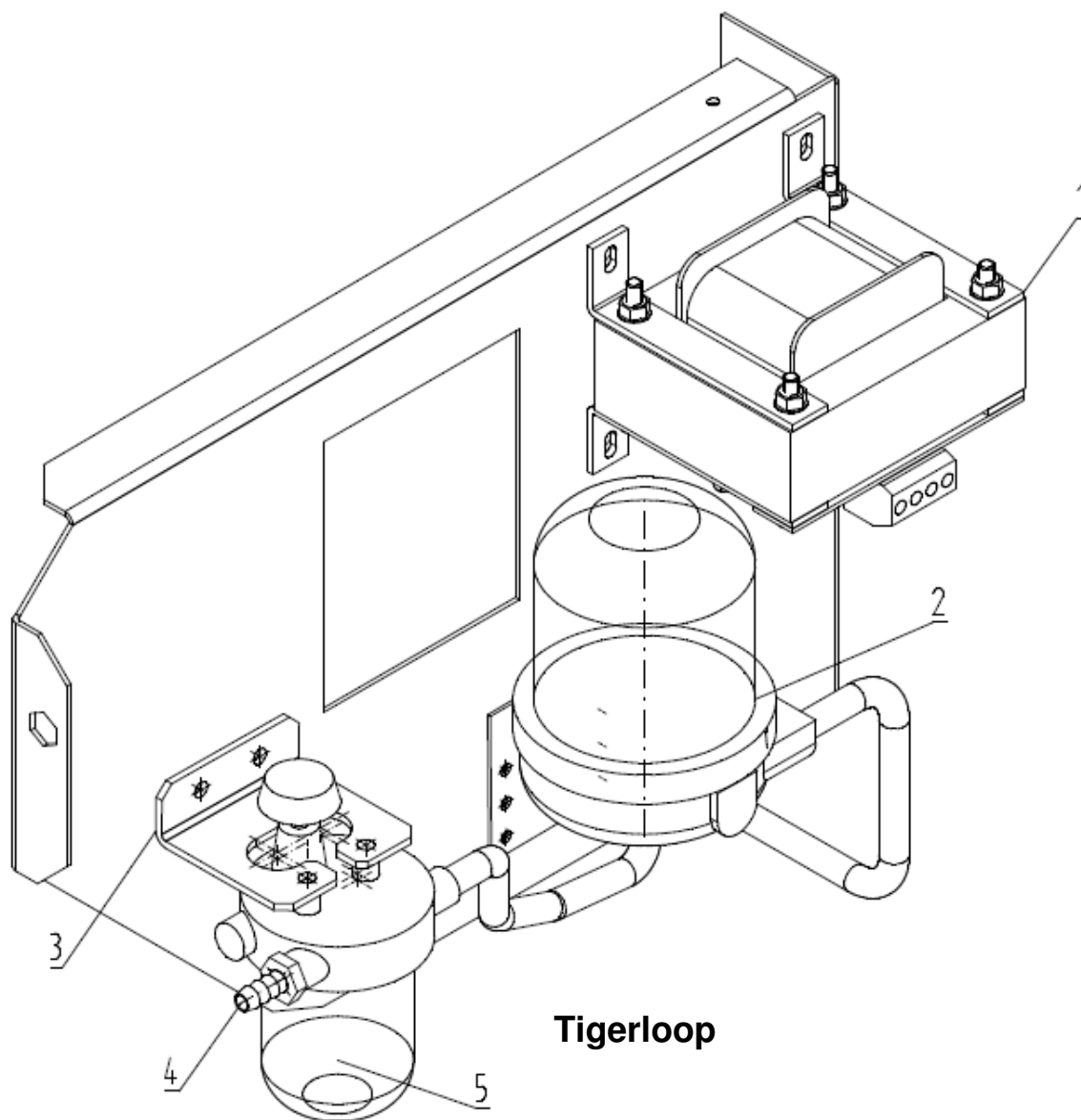
Fax +44(0) 2476 35 79 69 info@thermobile.co.uk www.thermobile.co.uk

Thermobile France S.a.r.l. +33(0)2 38 76 59 25

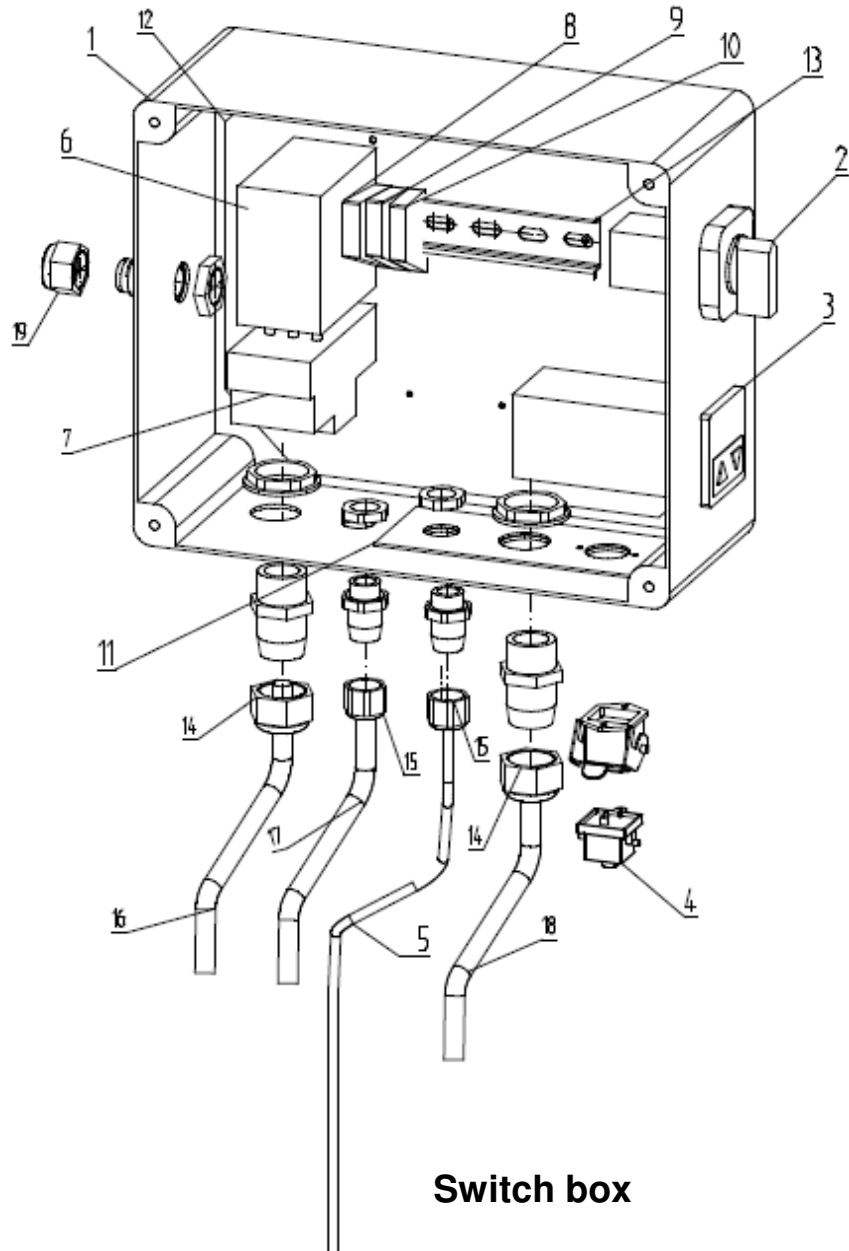
Fax +33(0)2 38 76 58 93 info@thermobile.fr www.thermobile.fr

THERMOBILE®





Tigerloop



THERMOBILE®

Pos	Beschrijving Nederlands	Description English	Description Francais	Beschreibung Deutsch
1	branderkamer+WW	burnerchamber+heatexchanger	chambre de com.+ échangeur	Brennerkammer WärmeTau.
2	deksel WW voor	cover heat exchanger front	couvercle échangeur inférieur	Deckel vorne
3	deksel WW zijkant	cover heat exchanger back	couvercle échangeur jonction	Deckel seite
4	pakking voor posnr.3	gasket pos.number 3	join no. 3	Abdichtung nu. 3
5	kijkglashouder	window frame	support fenêtre	Rahmen von Schauglass
6	branderkamerophanging	burnerchamber support	chambre de combustion anneau	Brennerkammer Stütze
7	beugel	support	anneau	Bügel
8	steun branderkamer	support burnerchamber	anneau chambre de combustion	Brennerkammer Stütze
9	stelbeugel branderk.	adjst. bracketburnerchamber	support de réglage ch. de com.	Stellbügel
10	grondplaat	ground plate	tôle inférieure	Aufbaublech unten
11	bodembak	bottom	fond	Bodenblech
12	wielas	axle	axe	Achse
13	wiel	wheel	roue	Rad
14	starlock	starlock	capot	Radkappe
15	stralingsplaat L/R	radiation plate l+r	plaque radiante latéral g/d	Stralungsblech L+R
16	str.plaat zijpan. L+R	radiation plate l+r	plaque radiante latéral g/d	Stralungsblech L+R
17	zijpanelen L&R	side panel l+r	panneaux latéral g/d	Seitenwand L+R
18	stralingsplaat uitblaas	radiation plate front	plaque radiante sortie d'air	Stralungsblech Vornseite
19	uitblaaspaneel	front panel	sortie d'air	Ausblaßblech
20	verst.plaat boven	lifting profile	profile de renforcement en haut	Verstärkungsprofil oben
21	oogmoer M12	lifting lug	anneau de suspension	Hebeöse
22	verst.plaat onder	reinforcement profile	profile de renforcement en bas	Verstärkungsprofil unter
23	duwbeugel	conveyor handle	barre à pousser	Fahrbügel
24	uitblaasconus	outlet panel	cone de soufflage	Ausblaßconus
25	tigerloop	tigerloop	tigerloop	Tigerloop
26	brander slw	burner slw	brûleur slw	Brenner slw
27	filterbeugel	bracket oil filter	support filtre	Montagestütze Ölfilter
28	oliefilter	oil filter	filtre	Ölfilter
29	regenkap steun oliefilter	bracket oil filter	support protection filtre	Stütze Ölfilter
30	regenkap steun schakelkast	bracket switch box	support protection boîtier	Stütze schaltschrank
31	regenkap zijpl. Links	raincover plate left	plaque de jonction gauche	Regenschütz Platte Links
	regenkap zijpl.rechts	raincover plate right	plaque de jonction droite	Regenschütz Platte Rechts
	regenkap	rain cover	protection de pluie	Regenschütz
32	kartelbout	bolt	boulon	Bolzen
33	schakelkast gemont.	switch box complete	boîtier électrique complet	Schaltkasten komplett
34	olieopvangbak	mounting plate swivel castor	plaque de fixation roues	Schwenkradblech
35	zwenkwiel	swivel castor	roue roulette	Schwenkrad
36	stralingsplaat deksel	radiation plate cover	plaque radiante supérieure	Stralungsblech Deckel
37	deksel	cover	couvercle	Deckel
38	schoorsteenring	chimney ring	collier pour cheminée	Schornsteinring
39	beschermpak links	fan protection grille left	protection gauche	Schutzhaube Links
40	beschermpak rechts	fan protection grille right	protection droite	Schutzhaube Rechts
41	deksel deel 1	cover part 1	couvercle partie 1	Deckel Teil 1
42	deksel deel 2	cover part 2	couvercle partie 2	Deckel teil 2
43	afdekplaat	protection plate	plaque de couvercle	Schutzhaube
44	stootbeugel	bumper	bourellet	Stoßbügel
45	motor	motor	moteur	Motor

Pos	Beschrijving Nederlands	Description English	Description Francais	Beschreibung Deutsch
46	V-snaarschijf 2SPZ 100/28	V-belt disc motor	poulie moteur	V-Riemen Scheibe Motor
47	V-snaar XPZ	V-belt	courroie	V-Riemen
48	V-snaarschijf 2SPZ140/25	V-belt disc fan	poulie ventilateur	V-Riemen Scheibe Ventilator
49	ventilator AT -15/15	radial fan	ventilateur radial	Radialventilator
50	motorstoel	motor mounting plate	support moteur	Motorblech
51	stelbeugel	adjustment bracket motor	support de réglage moteur	Spannbügel
52	aanzuigpaneel	back panel radial	panneau radial	Ansaugpanel
53	hoeklijngel.links	angle plate left	piece d'angle gauche	Winkelstütze Links
54	hoeklijngel.kort	angle plate small	piece d'angle petit	Winkelstütze kurz
55	pakking voor posnr.2	gasket pos.number 2	join no. 2	Abdichtung nu. 2
56				
57	hoeklijngel.rechts	angle plate right	piece d'angle droite	Winkelstütze Rechts
58	pakking	gasket	join	Abdichtung
59	pakking 1kijnglas	gasket 1	join no. 1	Abdichtung 1
60	pakking 2kijnglas	gasket 1	join no. 2	Abdichtung 2
61				
62				
63				
64				
65	rookgasremmer	smoke gas resistance	résistance côté	Leitblech Rauchgass

THERMOBILE®

POS.	Schakelkast	Switch box	Boîtier	Schaltschrank
1	schakelkast geboord	switch box with holes	boîtier électrique	Schaltschrank montagebereid
2	schakelaar santon	switch santon	interrupteur santon	Schalter Santon
3	temp. Regelaar	temperature regulator	température régulateur	Temperatur Controller
4	stekkerhuis	thermostat connection	prise thermostat	Thermostatansluß
	stekkerinzet	thermostat connection	prise thermostat	Thermostatansluß
	afdekkapje	bridge circuit plug thermostat	fiche court circuit	Brückenstecker
5	temeratuur sensor	temperature censor	température capteur	Temperatur Sensor
6	magneetschakelaar	magnetic switch	interrupteur magnétique	Magnetschalter
7	thermisch relais	thermal relay	protection thermique	Thermische Schutz
8	Relais omron	Relay omron	Relais omron	Schutz omron
9	Relais houder	Relay holder	Relais détenteur	Schutz behalter
10				
11	versteviging plaat	plate	collier de fixation	Verstärkungsprofil
12	montage plaat	mounting plate	base du sessous de puvot	Montageplatte
13	DIN rail	rail	rail	Schiene
14	wartel M25x1,5	cable gland M25	Écrou	Kabelverschraubung
	wartelmoer M25x1,5	screw cap	Écrou de raccord	Mutter
15	wartel M16x1,5	cable gland M16	Écrou	Kabelverschraubung
	wartelmoer M16x1,5	screw cap	Écrou de raccord	Mutter
16	motorkabel	motor cable	moteur câblé	Motorkabel
17	branderkabel	burner cable	cablé bruleur	Brenner Kabel
18				
19	wartel M20x1,5	cable gland M20	Écrou	Kabelverschraubung
	wartelmoer M20x1,5	screw cap	Écrou de raccord	Mutter

POS.	Olie aanvoer	Oil supply			
1a	trafo(optie)	Transformer	tranformateur	Transformator	41.728.185
1b	trafo set	Transformer kit			41.728.190
2	flowcontrol	flowcontrol	flowcontrol	Flowcontrol	
3	beugel oliefilter	bracket oil filter	support filtre	Montagestütze Ölfilter	
4	slangpilaar 3/8'	hose socket	adapteur de tuyau	Schlauchansluß	
5	oliefilter	oil filter	filtre	Ölfilter	

THERMOBILE®

Pos.	IMA 61	IMA 111HP	IMA111.1f230V1,5KW	IMA111HP3x230V
1	41.722.325	41.724.755	41.724.755	41.724.755
2	41.722.307	41.724.659	41.724.659	41.724.659
3	41.722.282	41.729.948	41.729.948	41.729.948
4	41.722.309	41.726.125	41.726.125	41.726.125
5	41.729.914	41.729.914	41.729.914	41.729.914
6	41.722.288	41.724.521	41.724.521	41.724.521
7	41.722.292/01	41.728.292/01	41.728.292/01	41.728.292/01
8	41.728.292/01	41.724.543_7964	41.724.543_7964	41.724.543_7964
9	41.722.301_7964	41.726.027_7964/01	41.726.027_7964/01	41.726.027_7964/01
10	41.722.042_05	41.724.042/07	41.724.042/07	41.724.042/07
11	41.722.043_7964/05	41.724.668_7964	41.724.668_7964	41.724.668_7964
12	41.722.084_7964/05	41.724.080_7964/04	41.724.080_7964/04	41.724.080_7964/04
13	41.815.065	41.815.065	41.815.065	41.815.065
14	41.524.194	41.524.194	41.524.194	41.524.194
15	41.722.054	41.724.054/01	41.724.054/01	41.724.054/01
16	41.722.057/03	41.724.057/08	41.724.057/08	41.724.057/08
17	41.722.049_UV rood	41.724.168_UV rood/03	41.724.168_UV rood/03	41.724.168_UV rood/03
18	41.722.133/01	41.724.403/04	41.724.403/04	41.724.403/04
19	41.722.132_7964	41.724.402_7964/03	41.724.402_7964/03	41.724.402_7964/03
20	41.722.280	41.724.280	41.724.280	41.724.280
21	40.501.909	40.501.909	40.501.909	40.501.909
22	41.722.089	41.724.089/01	41.724.089/01	41.724.089/01
23	41.722.071_7964	41.724.071_7964	41.724.071_7964	41.724.071_7964
24	41.722.223_7964	41.724.223_7964	41.724.223_7964	41.724.223_7964
25	41.522.127	41.522.127	41.522.127	41.522.127
26	41.522.050	41.524.130	41.524.130	41.524.130
27	99.084.130_7964/04	99.084.130_7964/04	99.084.130_7964/04	99.084.130_7964/04
28	41.520.027	41.520.027	41.520.027	41.520.027
29	41.722.135_7964	41.728.413_7964/05	41.728.413_7964/05	41.728.413_7964/05
30	41.722.134_7964	41.728.412_7964/03	41.728.412_7964/03	41.728.412_7964/03
31a	41.722.128_7964	41.724.422_7964	41.724.422_7964	41.724.422_7964
31b	41.722.129_7964	41.724.423_7964	41.724.423_7964	41.724.423_7964
31c	41.722.127_7964	41.724.411_7964/03	41.724.411_7964/03	41.724.411_7964/03
32	41.900.821	41.900.821	41.900.821	41.900.821
33	41.722.316	41.724.660	41.724.660	41.724.660
34	41.722.087_7964/03	41.724.087_7964/05	41.724.087_7964/05	41.724.087_7964/05
35	41.724.083	41.728.665	41.728.665	41.728.665
36	41.722.295	41.724.653/01	41.724.653/01	41.724.653/01
37	41.722.294_UV rood	41.724.652_UV rood/02	41.724.652_UV rood/02	41.724.652_UV rood/02
38	99.084.017_7964/01	41.728.297_7964	41.728.297_7964	41.728.297_7964
39	41.722.246_7964	41.724.409_7964	41.724.409_7964	41.724.409_7964
39a		41.724.283_7964	41.724.283_7964	41.724.283_7964
40	41.722.245_7964	41.724.410_7964	41.724.410_7964	41.724.410_7964
40a		41.724.285_7964	41.724.285_7964	41.724.285_7964
41	41.722.196_7964/01	41.724.127_7964/03	41.724.127_7964/03	41.724.127_7964/03
42	41.722.197_7964/01	41.724.128_7964/02	41.724.128_7964/02	41.724.128_7964/02
43	41.722.198_7964/02	41.724.286_7964	41.724.286_7964	41.724.286_7964
44	41.722.160_7964/04	41.724.160_7964/03	41.724.160_7964/03	41.724.160_7964/03
45	41.529.207	41.724.190	41.528.219	41.724.190

THERMOBILE®

Pos.	IMA 61	IMA 111HP	IMA111R1f230V1,5KW	IMA111HP3x230V
46		41.724.173	41.724.104	41.724.173
47		41.724.174	41.724.105	41.724.174
48		41.527.108	41.527.108	41.527.108
49	41.529.207	41.528.214	41.528.214	41.528.214
50		41.724.408_7964	41.724.408_7964	41.724.408_7964
51		41.528.208_7964	41.528.208_7964	41.528.208_7964
52	41.722.195/01	41.724.257/09	41.724.257/09	41.724.257/09
53	41.722.200	41.724.250	41.724.250	41.724.250
54		41.724.048	41.724.048	41.724.048
55		00.003.629	00.003.629	00.003.629
56				
57	41.722.194	41.724.251	41.724.251	41.724.251
58	41.726.125	41.726.125	41.726.125	41.726.125
59	41.726.129	41.726.129	41.726.129	41.726.129
60	41.726.130	41.726.130	41.726.130	41.726.130
60a	41.900.775	41.900.775	41.900.775	41.900.775
61				
62				
63				
64				
65	41.722.308/02	41.724.547/02	41.724.547/02	41.724.547/02

THERMOBILE®

	SWITCH BOX			
Pos.	IMA 61	IMA 111 HP	IMA 111 HP 230V	IMA 111 HP 3X230v
1	41.722.293/02	41.724.662/03	41.724.662/03	41.724.662/03
2	41.728.424	41.728.424	41.728.424	41.728.424
3	41.729.861	41.729.861	41.729.861	41.729.861
4	40.202.092	40.202.092	40.202.092	40.202.092
	40.202.091	40.202.091	40.202.091	40.202.091
	40.226.030	40.226.030	40.226.030	40.226.030
Fuse 10A	41.218.003	41.218.003	41.218.003	41.218.003
Huse holder	41.722.018	41.722.018	41.722.018	41.722.018
5	41.729.852	41.729.852	41.729.852	41.729.852
6		41.729.149	41.729.149	41.729.149
7		41.724.261	40.729.148	41.724.261
8	41.740.328			
9	41.740.330			
10				
11	41.724.511	41.724.511	41.724.511	41.724.511
12	41.722.264/03	41.724.510	41.724.510	41.724.510
13	41.722.314	41.724.512	41.724.512	41.724.512
14	40.503.022	40.503.020	40.503.020	40.503.020
	40.503.023	40.503.025	40.503.025	40.503.025
15	40.503.016	40.503.016	40.503.016	40.503.016
	40.503.021	40.503.021	40.503.021	40.503.021
16	41.722.214	41.724.667	41.724.667	41.724.667
17	41.722.665	41.722.662	41.722.662	41.722.662
18				
19	40.503.022	40.503.022	40.503.022	40.503.022
	40.503.023	40.503.023	40.503.023	40.503.023

THERMOBILE®

Pos.	IMA 150 RHP	IMA150R1f230V2,2KW	IMA150RHP3x230V
1	41.726.755	41.726.755	41.726.755
2	41.726.021	41.726.021	41.726.021
3	41.729.948	41.729.948	41.729.948
4	41.726.125	41.726.125	41.726.125
5	41.729.914	41.729.914	41.729.914
6	41.726.106	41.726.106	41.726.106
7	41.728.292/01	41.728.292/01	41.728.292/01
8	41.726.028_7964	41.726.028_7964	41.726.028_7964
9	41.726.027_7964/01	41.726.027_7964/01	41.726.027_7964/01
10	41.726.084/01	41.726.084	41.726.084
11	41.726.097_7964	41.726.097_7964	41.726.097_7964
12	41.726.080_7964/02	41.726.080_7964/02	41.726.080_7964/02
13	41.815.065	41.815.065	41.815.065
14	41.524.194	41.524.194	41.524.194
15	41.726.086	41.726.086	41.726.086
16	41.726.088	41.726.088	41.726.088
17	41.726.087_UV rood	41.726.087_UV rood	41.726.087_UV rood
18	41.726.107/01	41.726.107/01	41.726.107/01
19	41.726.091_7964/01	41.726.091_7964/01	41.726.091_7964/01
20	41.726.093/01	41.726.093/01	41.726.093/01
21	40.501.909	40.501.909	40.501.909
22	41.726.092	41.726.092	41.726.092
23	41.724.071_7964	41.724.071_7964	41.724.071_7964
24	41.726.100_7964	41.726.100_7964	41.726.100_7964
25	41.522.127	41.522.127	41.522.127
26	41.726.150	41.726.150	41.726.150
27	99.084.130_7964/04	99.084.130_7964/04	99.084.130_7964/04
28	41.520.027	41.520.027	41.520.027
29	41.728.413_7964/05	41.728.413_7964/05	41.728.413_7964/05
30	41.728.412_7964/03	41.728.412_7964/03	41.728.412_7964/03
31a	41.726.114_7964	41.726.114_7964	41.726.114_7964
31b	41.726.115_7964	41.726.115_7964	41.726.115_7964
31c	41.726.113_7964/01	41.726.113_7964/01	41.726.113_7964/01
32	41.900.821	41.900.821	41.900.821
33	41.724.660	41.724.660	41.724.660
34	41.726.079_7964/02	41.726.079_7964/02	41.726.079_7964/02
35	41.724.083	41.724.083	41.724.083
36	41.726.085	41.726.085	41.726.085
37	41.726.089_UV rood	41.726.089_UV rood	41.726.089_UV rood
38	41.728.297_7964	41.728.297_7964	41.728.297_7964
39	41.726.109_7964/01	41.726.109_7964/01	41.726.109_7964/01
40	41.726.108_7964/01	41.726.108_7964/01	41.726.108_7964/01
41	41.726.102_7964	41.726.102_7964	41.726.102_7964
42	41.726.103_7964	41.726.103_7964	41.726.103_7964
43	41.726.104_7964/01	41.726.104_7964/01	41.726.104_7964/01
44	41.726.112_7964	41.726.112_7964	41.726.112_7964
45	41.728.156	41.728.662	41.728.156

THERMOBILE®

Pos.	IMA 150 R HP	IMA150R1f230V2,2KW	IMA150RHP3x230V
46	41.724.173	41.728.663	41.724.173
47	41.726.127	41.726.132	41.726.127
48	41.527.108	41.527.108	41.527.108
49	41.528.214	41.528.214	41.528.214
50	41.724.408_7964	41.724.408_7964	41.724.408_7964
51	41.528.208_7964	41.528.208_7964	41.528.208_7964
52	41.726.095	41.726.095	41.726.095
53	41.724.250	41.724.250	41.724.250
54	41.724.048	41.724.048	41.724.048
55	00.003.629	00.003.629	00.003.629
56			
57	41.724.251	41.724.251	41.724.251
58	41.726.125	41.726.125	41.726.125
59	41.726.129	41.726.129	41.726.129
60	41.726.130	41.726.130	41.726.130
60a	41.900.775	41.900.775	41.900.775
61			
62			
63			
64			
65	41.726.037/02	41.726.037/02	41.726.037/02
66	41.415.060	41.415.060	41.415.060

Pos.Nr.	IMA 150 RHP Switch box	IMA 150R 230V2,2KW Switch box	IMA 150RHP3x230V Switch box
1	41.724.662/01	41.724.662/01	41.724.662/01
2	41.728.424	41.728.424	41.728.424
3	41.729.861	41.729.861	41.729.861
4	40.202.092	40.202.092	40.202.092
	40.202.091	40.202.091	40.202.091
	40.226.030	40.226.030	40.226.030
Fuse 10A	41.218.003	41.218.003	41.218.003
Huse holder	41.722.018	41.722.018	41.722.018
6	41.729.149	41.724.263	41.729.149
7	41.729.148	41.728.268	41.728.268
8			
9			
10			
11	41.724.511	41.724.511	41.724.511
12	41.724.510	41.724.510	41.724.510
13	41.724.512	41.724.512	41.724.512
14	40.503.020	40.503.020	40.503.020
	40.503.025	40.503.025	40.503.025
15	40.503.016	40.503.016	40.503.016
	40.503.021	40.503.021	40.503.021
16	41.726.119/01	41.726.119/01	41.726.119/01
17	41.722.662	41.722.662	41.722.662
18			
19	40.503.022	40.503.022	40.503.022
	40.503.023	40.503.023	40.503.023

THERMOBILE®

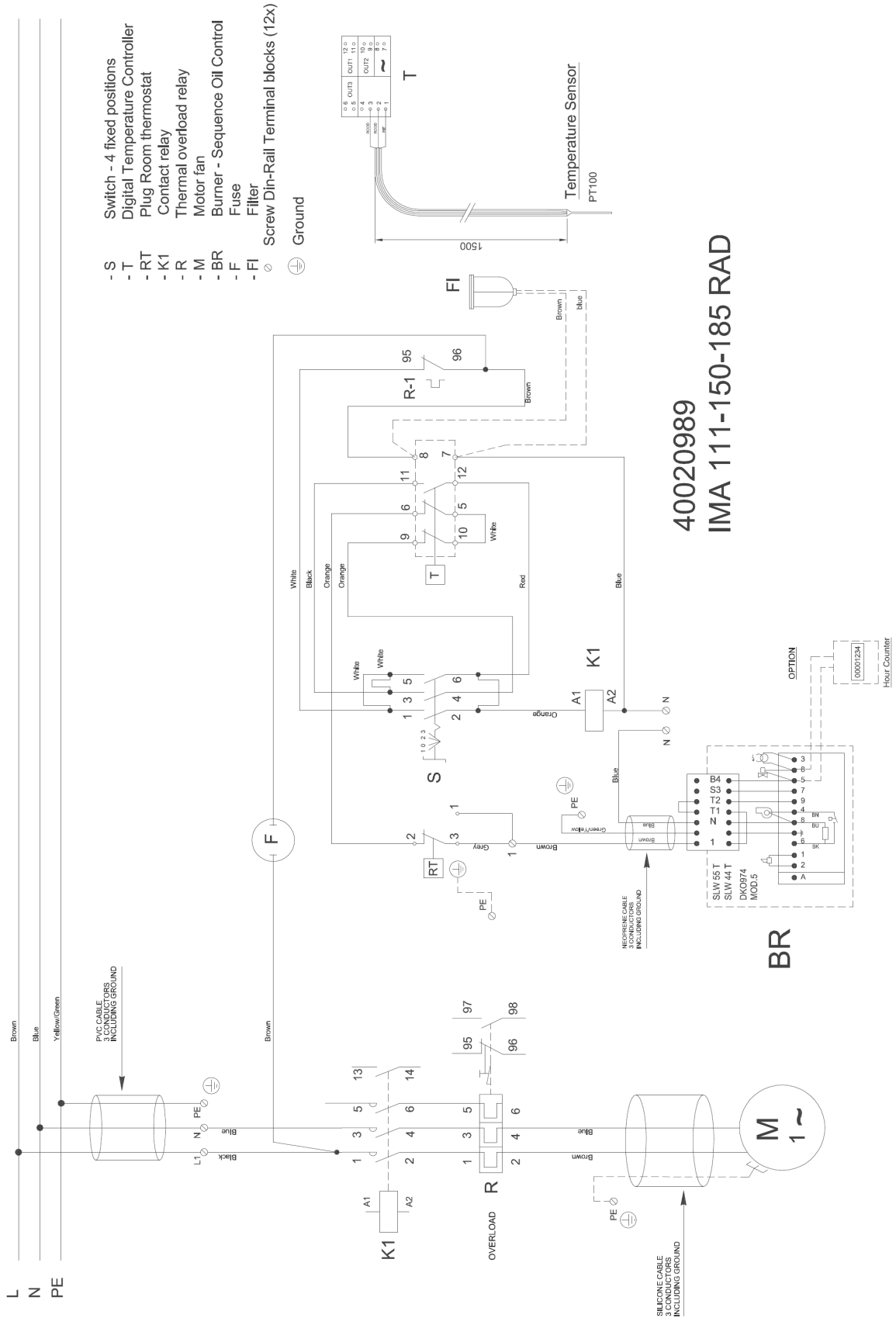
Pos.Nr.	IMA 185 RHP	IMA 185R 230V 2,2KW	IMA 185HP3x230V
1	41.728.755	41.728.755	41.728.755
2	41.729.970	41.729.970	41.729.970
3	41.729.948	41.729.948	41.729.948
4	41.726.125	41.726.125	41.726.125
5	41.729.914	41.729.914	41.729.914
6	41.729.916	41.729.916	41.729.916
7	41.728.292/01	41.728.292/01	41.728.292/01
8	41.728.293_7964	41.728.293_7964	41.728.293_7964
9	41.726.027_7964/01	41.726.027_7964/01	41.726.027_7964/01
10	41.728.042/10	41.728.042/10	41.728.042/10
11	41.728.143_7964	41.728.143_7964	41.728.143_7964
12	41.728.084_7964/04	41.728.084_7964/04	41.728.084_7964/04
13	41.815.065	41.815.065	41.815.065
14	41.524.194	41.524.194	41.524.194
15	41.728.054/02	41.728.054/02	41.728.054/02
16	41.728.057/07	41.728.057/07	41.728.057/07
17	41.728.168_UV rood	41.728.168_UV rood	41.728.168_UV rood
18	41.728.403/02	41.728.403/02	41.728.403/02
19	41.728.402_7964/03	41.728.402_7964/03	41.728.402_7964/03
20	41.728.280	41.728.280	41.728.280
21	40.501.909	40.501.909	40.501.909
22	41.728.089	41.728.089	41.728.089
23	41.724.071_7964	41.724.071_7964	41.724.071_7964
24	41.728.223_7964/01	41.728.223_7964/01	41.728.223_7964/01
25	41.522.127	41.522.127	41.522.127
26	41.728.100	41.728.100	41.728.100
27	99.084.130_7964/04	99.084.130_7964/04	99.084.130_7964/04
28	41.520.027	41.520.027	41.520.027
29	41.728.413_7964/05	41.728.413_7964/05	41.728.413_7964/05
30	41.728.412_7964/03	41.728.412_7964/03	41.728.412_7964/03
31a	41.728.430_7964/01	41.728.430_7964/01	41.728.430_7964/01
31b	41.728.431_7964/01	41.728.431_7964/01	41.728.431_7964/01
31c	41.728.411_7964/03	41.728.411_7964/03	41.728.411_7964/03
32	41.900.821	41.900.821	41.900.821
33	41.724.660	41.724.660	41.724.660
34	41.728.087_7964/03	41.728.087_7964/03	41.728.087_7964/03
35	41.728.665	41.728.665	41.728.665
36	41.728.405	41.728.405	41.728.405
37	41.728.404_UV rood/01	41.728.404_UV rood/01	41.728.404_UV rood/01
38	41.728.297_7964	41.728.297_7964	41.728.297_7964
39	41.728.409_7964	41.728.409_7964	41.728.409_7964
40	41.728.410_7964	41.728.410_7964	41.728.410_7964
41	41.728.127_7964/04	41.728.127_7964/04	41.728.127_7964/04
42	41.728.128_7964/02	41.728.128_7964/02	41.728.128_7964/02
43	41.728.278_7964	41.728.278_7964	41.728.278_7964
44	41.728.160_7964/03	41.728.160_7964/03	41.728.160_7964/03
45	41.728.156	41.728.662	41.728.156

THERMOBILE®

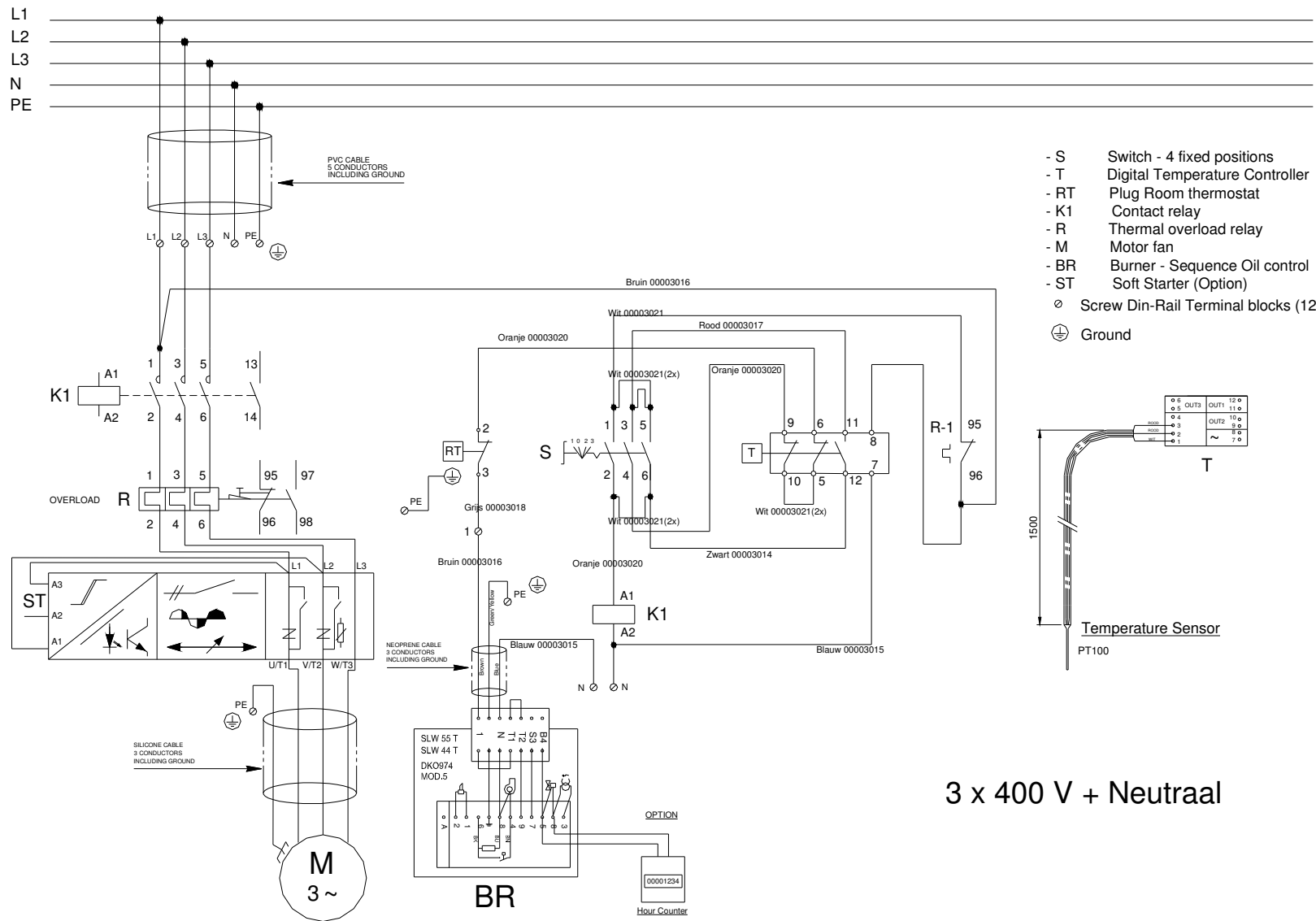
Pos.Nr.	IMA 185 RHP	IMA 185R230V 2,2KW	IMA 185RHP3x230V
46	41.728.104	41.728.663	41.728.104
47	41.728.159	41.728.664	41.728.159
48	41.728.158	41.728.158	41.728.158
49	41.728.103	41.728.103	41.728.103
50	41.728.408_7964/01	41.728.408_7964/01	41.728.408_7964/01
51	41.728.092_7964	41.728.092_7964	41.728.092_7964
52	41.728.266/10	41.728.266/10	41.728.266/10
53	41.728.256	41.728.256	41.728.256
54	41.728.048/01	41.728.048/01	41.728.048/01
55	00.003.629	00.003.629	00.003.629
56			
57	41.728.257	41.728.257	41.728.257
58	41.726.125	41.726.125	41.726.125
59	41.726.129	41.726.129	41.726.129
60	41.726.130	41.726.130	41.726.130
60a	41.900.775	41.900.775	41.900.775
61			
62			
63			
64			
65	41.729.938/03	41.729.938/03	41.729.938/03
66	41.415.060	41.415.060	41.415.060

Switch box

Pos.Nr.	IMA 185 RHP	IMA185R 230V 2,2KW	IMA185RHP3x230V
1	41.724.662/01	41.724.662/01	41.724.662/01
2	41.728.424	41.728.424	41.728.424
3	41.729.861	41.729.861	41.729.861
4	40.202.092	40.202.092	40.202.092
	40.202.091	40.202.091	40.202.091
	40.226.030	40.226.030	40.226.030
Fuse 10A	41.218.003	41.218.003	41.218.003
Huse holder	41.722.018	41.722.018	41.722.018
6	41.729.149	41.724.263	41.729.149
7	41.729.148	41.728.268	41.728.268
8			
9			
10			
11	41.724.511	41.724.511	41.724.511
12	41.724.510	41.724.510	41.724.510
13	41.724.512	41.724.512	41.724.512
14	40.503.020	40.503.020	40.503.020
	40.503.025	40.503.025	40.503.025
15	40.503.016	40.503.016	40.503.016
	40.503.021	40.503.021	40.503.021
16	41.726.119/01	41.726.119/01	41.726.119/01
17	41.722.662	41.722.662	41.722.662
18			
19	40.503.022	40.503.022	40.503.022
	40.503.023	40.503.023	40.503.023

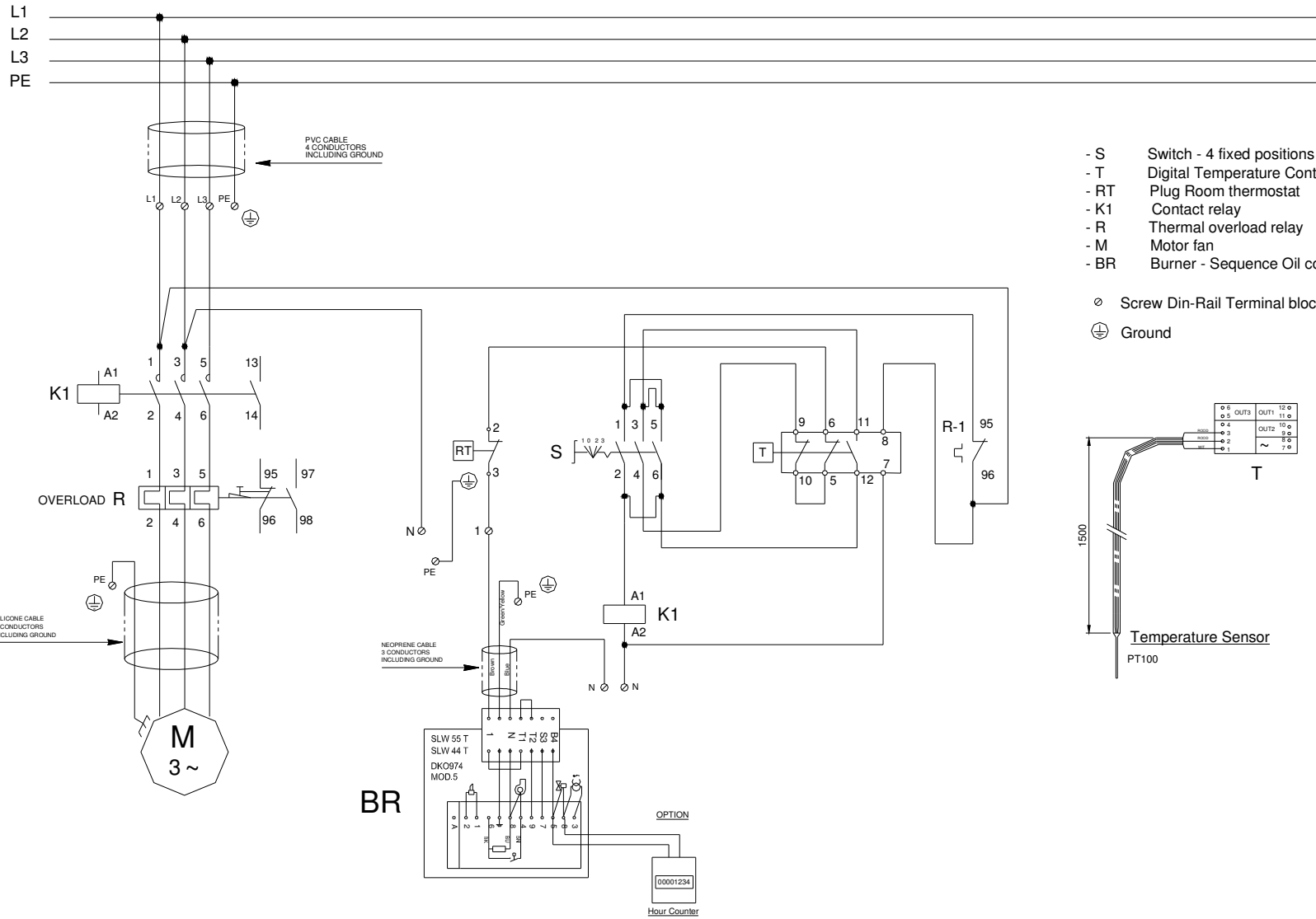


40020989
IMA 111-150-185 RAD



- S Switch - 4 fixed positions
- T Digital Temperature Controller
- RT Plug Room thermostat
- K1 Contact relay
- R Thermal overload relay
- M Motor fan
- BR Burner - Sequence Oil control
- ST Soft Starter (Option)
- ⊗ Screw Din-Rail Terminal blocks (12x)
- ⊕ Ground

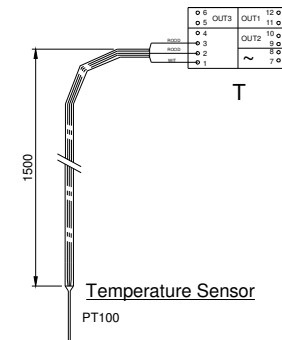
3 x 400 V + Neutraal



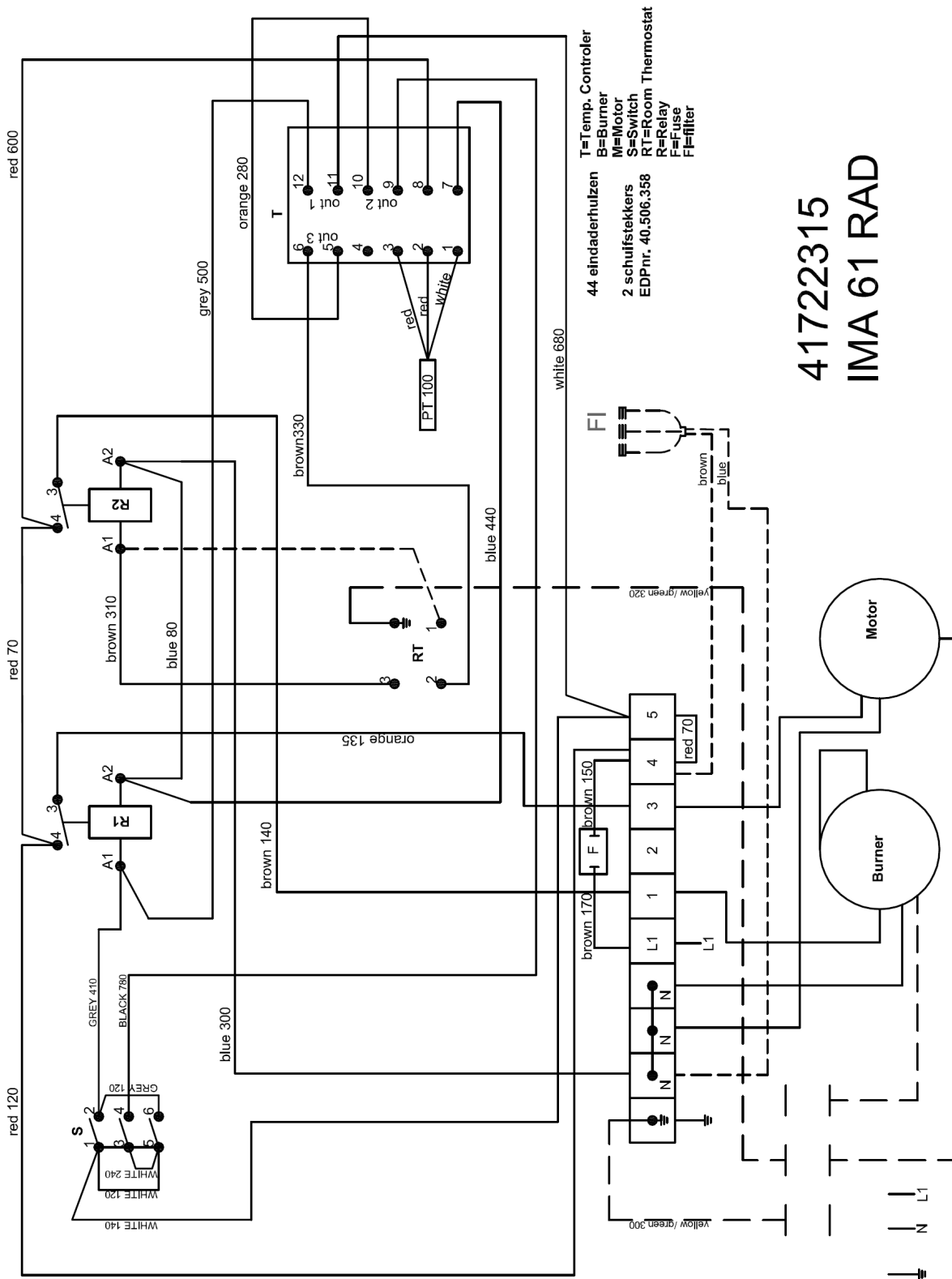
- S Switch - 4 fixed positions
- T Digital Temperature Controller
- RT Plug Room thermostat
- K1 Contact relay
- R Thermal overload relay
- M Motor fan
- BR Burner - Sequence Oil control

⊙ Screw Din-Rail Terminal blocks (12x)

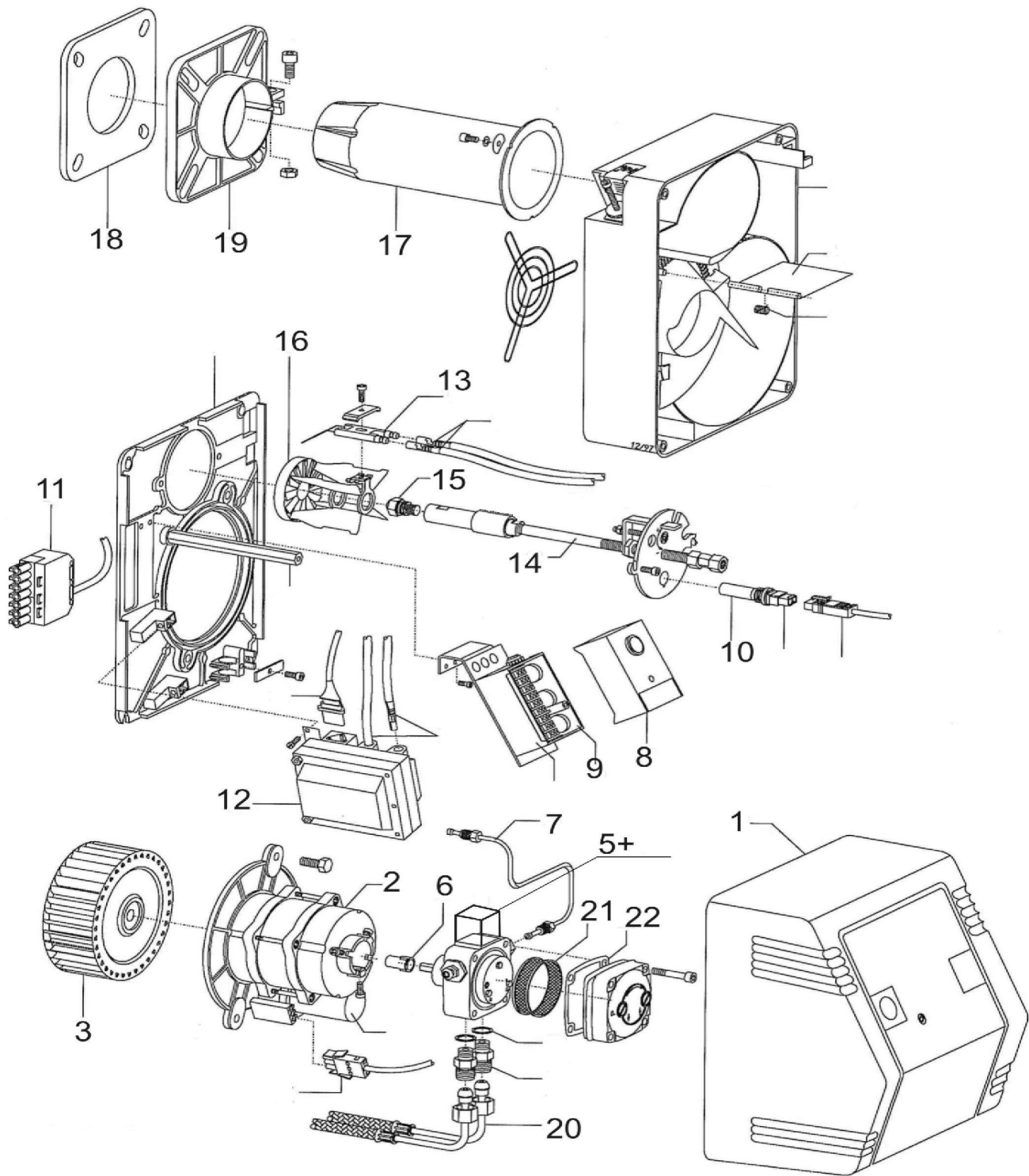
⊕ Ground



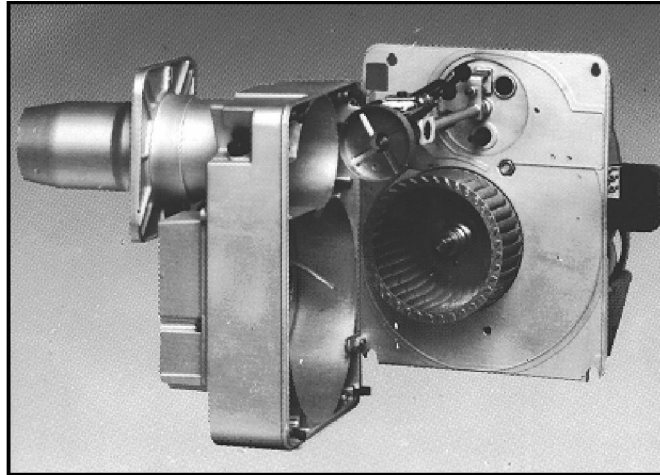
THERMOBILE



41722315
IMA 61 RAD



SLV 22/44/55 Brander/Burner/Bruleur/Brenner



SLV 22/44/55 Brander/Burner/Bruleur/Brenner

					SLW 22	SLW 44	SLW 55
1	Branderkap	Burner cover	Capot du brûleur	Brennerschutz-hause	41.520.067	41.524.131	41.524.131
2	Brandermotor	Burner motor	Moteur du brûleur	Brennermotor	41.520.068	41.524.132	41.524.132
3	Ventilator	Fan	Ventilateur	Lüfterrad	41.520.069	41.524.133	41.524.133
4	Brandstofpomp	Fuelpump	Pompe à fuel	Pumpe	41.520.070/01	41.520.070/01	41.520.070/01
5	Magneetventiel	Magnetic valve	Vanne électro-magnétique	Magnetventil	41.000.388	41.000.388	41.000.388
6	Pompkoppeling	Pump coupling	Accouplement de la pompe	Pumpenkupplung	40.223.041	40.223.041	40.223.041
7	Drukleiding	Pressure pipe	Tube pompe	Druckleitung	41.520.071	41.524.137	41.524.137
8	Branderautomaat	Burner relay	Relais du brûleur	Steuerrelais	41.524.112	41.524.112	41.524.112
9	Konsole branderautomaat	Support burner relay	Console relais du brûleur	Relaissockel	41.524.113	41.524.113	41.524.113
10	Fotocel MZ 770	Photocell MZ 770	Cellule photo-electr. MZ 770	Fotozelle MZ 770	41.000.376 + 41.000.379	41.000.376+ 41.000.379	41.000.376+ 41.000.379
11	Kontrastekker	Coupling socket	Fiche de raccordement	Stecker	41.520.045	41.520.045	41.520.045
12	Ontstekingsrafo	Ignition transformer	Transformateur d'allumage	Zündtrafo	41.524.139	41.524.139	41.524.139
13	Ontstekings-elektrode	Ignition electrode	Électrode d'allumage	Zünderlektrode	41.524.140	41.524.240	41.524.240
14	Verstuihverhouder	Nozzle holder	Support de gicleur	Düsenstock	41.527.207	41.728.119	41.728.119
15	Verstuiver	Nozzle	Gicleur	Öldüse	40.504.709	41.524.042/im a-111 40.238.021/im a-150	41.728.101
16	Stuwplaat	Swivel disc	Volet de gicleur	Turbolator	41.522.051	41.524.143	41.524.143
17	Branderpijp	Burner pipe	Guelard	Flammrohr	41.520.074	41.524.144	41.524.144
18	Flenspakking	Flange packing	Joint de bride	Klingerit Flansch	41.520.075	41.524.145	41.524.145
19	Branderflens	Burner flange	Bride du brûleur	Brennerflansch	41.520.076	41.524.146	41.524.146
20a	Brandstofslang	Fuel pump hose	Tuyau de fuel	Ölleitung red	41.728.315	41.728.315	41.728.315
20b	Brandstofslang	Fuel pump hose	Tuyau de fuel	Ölleitung green	41.728.316	41.728.316	41.728.316
21	Oliepompfilter	Fuel pump filter	Filtre de pompe à fuel	Pumpenfilter	41.000.387	41.000.387	41.000.387
22	Pomppakking	Pumpgasket			40.202.121	40.202.121	40.202.121
-*	Urenteller	Hour counter	Compteur horaire	Stundenzähler	41.729.107	41.729.107	41.729.107
-*	Beugel urenteller	Counter bracket	Anneau de compteur	Zählerbügel	41.728.208	41.728.208	41.728.208
-*	Kabel urenteller	Counter cable	Câble de compteur	Zählerkabel	41.728.209	41.728.209	41.728.209