

AQTL/AQTH/AQTC/AQTR



English

Français

Deutsch

Italiano

Español



269
↓
478 kW



273
↓
670 kW



Air-Cooled Water Chillers and Heat Pumps

Refroidisseurs d'Eau et Pompe à Chaleur Refroidis à l'Air

Luftgekühlte Flüssigkeitskühler und Wärmepumpen

Refrigeratori d'Acqua e Pompe di Calore Raffreddati ad Aria

Enfriadores de Agua y Bomba de Calor Condensadas con Aire

IOM AQT.410-N.2 GB

Part number / Codice / Code / Code / Código : 035B09056-000A

Supersedes / Annulla e sostituisce / Annule et remplace / Annulliert und ersetzt /

Anula y sustituye: **035B09056-000**

"Notified Body / Organismo Notificato / Organisme Notifié / Benannte
Zertifizierungsstelle / Organismo Notificado **No. 1115 PASCAL**"



| | | | |
|---|----|---|----|
| 1 FOREWORD | | 5 START-UP | |
| 1.1 Introduction | 3 | 5.1 Preliminary check | 21 |
| 1.2 Warranty | 3 | 5.2 Start-up | 21 |
| 1.3 Emergency stop/Normal stop | 3 | 5.3 Checking the operation | 22 |
| 1.4 An introduction to this manual | 3 | 5.4 Delivery to the customer | 22 |
| 2 SAFETY | | 6 CONTROL | |
| 2.1 Foreword | 4 | 6.1 Control of AQT | |
| 2.2 Definitions | 4 | The "CHILLER CONTROL" system | 23 |
| 2.3 Access to the unit | 5 | 6.2 Display | 24 |
| 2.4 General precautions | 5 | 6.3 Key board | 24 |
| 2.5 Precautions against residual risks | 5 | 6.4 Protection and safety equipment | 27 |
| 2.6 Precautions during maintenance operations | 6 | 6.5 HPF version configuration | 28 |
| 2.7 Safety labels | 7 | 7 GENERAL DESCRIPTION | |
| 2.8 Safety regulations | 9 | 7.1 Introduction | 29 |
| 3 TRANSPORT, LIFTING AND POSITIONING | | 7.2 General specifications | 29 |
| 3.1 Inspection | 12 | 7.3 Compressors | 29 |
| 3.2 Lifting | 12 | 7.4 Refrigeration circuits | 29 |
| 3.3 Anchoring | 13 | 7.5 Water heat exchanger | 29 |
| 3.4 Storage | 13 | 7.6 Air heat exchanger | 30 |
| 4 INSTALLATION | | 7.7 Fans | 30 |
| 4.1 Positioning of the unit | 14 | 7.8 Electric power supply and control system | 32 |
| 4.2 Spring Isolator Installation | 14 | 7.9 Accessories | 32 |
| 4.3 External hydraulic circuit | 15 | 8 TECHNICAL DATA | |
| 4.4 Hydraulic connection | 16 | 8.1 Pressure drop | 33 |
| 4.5 Draining the Defrosting Waste Water (for heat pump unit only) | 16 | 8.2 Technical data | 34 |
| 4.6 Power supply | 17 | 8.3 Unit Electrical data | 44 |
| 4.7 Electrical connections | 17 | 8.4 Hydraulic Features | 46 |
| 4.8 Connecting plate-type evaporator temperature sensors | 19 | 8.5 Position of shock absorbers and weight distribution on supports | 49 |
| 4.9 Total heat recovery features | 20 | 8.6 Overall dimensions | 56 |
| | | 8.7 Services spaces | 68 |

9 MAINTENANCE

| | | |
|------|----------------------------|----|
| 9.1 | General requirements | 69 |
| 9.2 | Planned maintenance | 69 |
| 9.3 | Refrigerant charge | 70 |
| 9.4 | Compressor | 70 |
| 9.5 | Condenser | 70 |
| 9.6 | Fans | 70 |
| 9.7 | Dehydrating filter | 71 |
| 9.8 | Sight glass | 71 |
| 9.9 | Electronic expansion valve | 71 |
| 9.10 | Evaporator | 71 |

10 TROUBLESHOOTING 72

11 SPARE PARTS

| | | |
|------|---------------------|----|
| 11.1 | Spare parts list | 74 |
| 11.2 | Oil for compressors | 74 |
| 11.3 | Wiring diagram | 74 |

12 DISMANTLING, DEMOLITION AND SCRAPPING

| | | |
|------|--------------|----|
| 12.1 | Generalities | 75 |
|------|--------------|----|

Foreword

1 FOREWORD

1.1 Introduction

Airwell-Italia units, manufactured to state-of-the-art design and implementation standards, ensure top performance, reliability and fitness to any type of air-conditioning systems.

These units are designed for cooling water or glycolated water (and for water heating in heat pump models) and are unfit for any purposes other than those specified in this manual.

This manual includes all the information required for a proper installation of the units, as well as the relevant operating and maintenance instructions.

It is therefore recommended to read this manual carefully before installation or any operation on the machine. The chiller installation and maintenance must be carried out by skilled personnel only (where possible, by one of Airwell-Italia's Authorised Service Centers).

The manufacturer may not be held liable for any damage to people or property caused by improper installation, start-up and/or improper use of the unit and/or failure to implement the procedures and instructions included in this manual.

1.2 Warranty

These units are delivered complete, tested and ready for being operated. Any form of warranty will become null and void in the event that the appliance is modified without Airwell-Italia's preliminary written authorisation.

This warranty shall apply providing that the installation instructions have been complied with (either issued by Airwell-Italia, or deriving from the current practice), and the Form 1 ("Start-up") has been filled-in and mailed to Airwell-Italia (attn. After-Sales Service).

In order for this warranty to be valid, the following conditions shall be met:

- The machine must be operated only by skilled personnel from Airwell-Italia's Authorised After-Sales Service.
- Maintenance must be performed only by skilled personnel - from one of Airwell-Italia's Authorised After-Sales Centers.
- Use only original Airwell-Italia spare parts.
- Carry out all the planned maintenance provided for by this manual in a timely and proper way.

Failure to comply with any of these conditions will automatically void the warranty.

1.3 Emergency stop / Normal stop

The emergency stop of the unit can be enabled using the master switch on the control panel (move down the lever).

For a normal stop, press the relevant push-buttons.

To restart the appliance, follow the procedure detailed in this manual.

1.4 An introduction to the manual

For safety reasons, it is imperative to follow the instructions given in this manual. In case of any damage caused by non-compliance with these instructions, the warranty will immediately become null and void.

Conventions used throughout the manual:



The Danger sign recalls your attention to a certain procedure or practice which, if not followed, may result in serious damage to people and property.



The Warning sign precedes those procedures that, if not followed, may result in serious damage to the appliance.



The Notes contain important observations.



The Useful Tips provide valuable information that optimises the efficiency of the appliance.

This manual and its contents, as well as the documentation which accompanies the unit, are and remain the property of Airwell-Italia, which reserves any and all rights thereon. This manual may not be copied, in whole or in part, without Airwell-Italia's written authorization.

2 SAFETY

2.1 Foreword

These units must be installed in conformity with the provisions of Machinery Directive 98/37/EC, Low Voltage Directive 2006/95/EC, Pressure Vessels Directive 97/23/EC, Electromagnetic Interference Directive 89/336/EC, as well as with other regulations applicable in the country of installation. If these provisions are not complied with, the unit must not be operated.



The unit must be grounded, and no installation and/or maintenance operations may be carried out before deenergising the electrical panel of the unit.

Failure to respect the safety measures mentioned above may result in electrocution hazard and fire in the presence of any short-circuits.



Inside the heat exchangers, the compressors and the refrigeration lines, this unit contains liquid and gaseous refrigerant under pressure. The release of this refrigerant may be dangerous and cause injuries.



The units are not designed to be operated with natural refrigerants, such as hydrocarbons. Airwell-Italia may not be held liable for any problems deriving from the replacement of original refrigerant or the introduction of hydrocarbons.

Airwell-Italia units are designed and manufactured according to the requirements of European Standard PED 97/23/EC (pressure vessels).

- The used refrigerants are included in group II (non-hazardous fluids).
- The maximum working pressure values are mentioned on the unit's data plate.
- Suitable safety devices (pressure switches and safety valves) have been provided, to prevent any anomalous overpressure inside the plant.
- The vents of the safety valves are positioned and oriented in such a way as to reduce the risk of contact with the operator, in the event that the valve is operated. Anyway, the installer will convey the discharge of the valves far from the unit.
- Dedicated guards (removable panels with tools) and danger signs indicate the presence of hot pipes or components (high surface temperature).



The guards of the fans (only for units provided with air heat exchangers) must be always mounted and must never be removed before de-energising the appliance.



It is the User's responsibility to ensure that the unit is fit for the conditions of intended use and that both installation and maintenance are carried out by experienced personnel, capable of respecting all the recommendations provided by this manual. It is important that the unit is adequately supported, as detailed in this manual. Non-compliance with these recommendations may create hazardous situations for the personnel.



The unit must rest on a base which meets the characteristics specified in this manual; a base with inadequate characteristics is likely to become a source of serious injury to the personnel.



The unit has not been design to withstand loads and/or stress that may be transmitted by adjacent units, piping and/or structures. Each external load or stress transmitted to the unit may break or cause breakdowns in the unit's structure, as well as serious dangers to people. In these cases, any form of warranty will automatically become null and void.



The packaging material must not be disposed of in the surrounding environment or burnt.

2.2 Definitions

OWNER: means the legal representative of the company, body or individual who owns the plant where Airwell-Italia unit has been installed; he/she has the responsibility of making sure that all the safety regulations specified in this manual are complied with, along with the national laws in force.

INSTALLER: means the legal representative of the company who has been given by the owner the job of positioning and performing the hydraulic, electric and other connections of Airwell-Italia unit to the plant: he/she is responsible for handling and properly installing the appliance, as specified in this manual and according to the national regulations in force.

OPERATOR: means a person authorised by the owner to do on Airwell-Italia unit all the regulation and control operations expressly described in this manual, that must be strictly complied with, without exceeding the scope of the tasks entrusted to him.

ENGINEER: means a person authorised directly by Airwell-Italia or, in all EC countries, excluding Italy, under his full responsibility, by the distributor of Airwell-Italia product, to perform any routine and extraordinary maintenance operations, as well as any regulation, control, servicing operations and the replacement of pieces, as may be necessary during the life of the unit.

2.3 Access to the unit

The unit must be placed in an area which can be accessed also by OPERATORS and ENGINEERS; otherwise the unit must be surrounded by a fence at not less than 2 meters from the external surface of the machine.

OPERATORS and ENGINEERS must enter the fenced area only after wearing suitable clothing (safety shoes, gloves, helmet etc.). The INSTALLER personnel or any other visitor must always be accompanied by an OPERATOR.

For no reason shall any unauthorised personnel be left alone in contact with the unit.

2.4 General precautions

The OPERATOR must simply use the controls of the unit; he must not open any panel, other than the one providing access to the control module.

The INSTALLER must simply work on the connections between plant and machine; he must not open any panels of the machine and he must not enable any control.

When you approach or work on the unit, follow the precautions listed below:

- do not wear loose clothing or jewellery or any other accessory that may be caught in moving parts
- wear suitable personal protective equipment (gloves, goggles etc.) when you have to work in the presence of free flames (welding operations) or with compressed air
- if the unit is placed in a closed room, wear ear protection devices
- cut off connecting pipes, drain them in order to balance the pressure to the atmospheric value before disconnecting them, disassemble connections, filters, joints or other line items
- do not use your hands to check for any pressure drops

- use tools in a good state of repair; be sure to have understood the instructions before using them
- be sure to have removed all tools, electrical cables and any other objects before closing and starting the unit again

2.5 Precautions against residual risks

Prevention of residual risks caused by the control system

- be sure to have perfectly understood the operating instructions before carrying out any operation on the control panel
- when you have to work on the control panel, keep always the operating instructions within reach
- start the unit only after you have checked its perfect connection to the plant
- promptly inform the ENGINEER about any alarm involving the unit
- do not reset manual restoration alarms unless you have identified and removed their cause

Prevention of residual mechanical risks

- install the unit according to the instructions provided in this manual
- carry out all the periodical maintenance operations prescribed by this manual
- wear a protective helmet before accessing the interior of the unit
- before opening any panelling of the machine, make sure that it is secured to it by hinges
- do not touch air condensation coils without wearing protective gloves
- do not remove the guards from moving elements while the unit is running
- check the correct position of the moving elements' guards before restarting the unit

Prevention of residual electrical risks

- connect the unit to the mains according to the instructions provided in this manual
- periodically carry out all the maintenance operations specified by this manual
- disconnect the unit from the mains by the external disconnecting switch before opening the electrical board
- check the proper grounding of the unit before start-up
- check all the electrical connections, the connecting cables, and in particular the insulation; replace worn or damaged cables

- periodically check the board's internal wiring
- do not use cables having an inadequate section or flying connections, even for limited periods of time or in an emergency

Prevention of other residual risks

- make sure that the connections to the unit conform to the instructions provided in this manual and on the unit's panelling
- if you have to disassemble a piece, make sure that it has been properly mounted again before restarting the unit
- do not touch the delivery pipes from the compressor, the compressor and any other piping or component inside the machine before wearing protective gloves
- keep a fire extinguisher for electrical appliances near the machine
- on the units installed indoors, connect the safety valve of the refrigeration circuit to a piping network that can channel any overflowing refrigerant outside
- remove and leak of fluid inside and outside the unit
- collect the waste liquids and dry any oil spillage
- periodically clean the compressor compartment, to remove any fouling
- do not store flammable liquids near the unit
- do not disperse the refrigerant and the lubricating oil into the environment
- weld only empty pipes; do not approach flames or other sources of heat to refrigerant pipes
- do not bend/hit pipes containing fluids under pressure

2.6 Precautions during maintenance operations

Maintenance operations can be carried out by authorised technicians only.

Before performing any maintenance operations:

- disconnect the unit from the mains with the external disconnecting switch
- place a warning sign "do not turn on - maintenance in progress" on the external disconnecting switch
- make sure that on-off remote controls are inhibited
- wear suitable personal protective equipment (helmet, safety gloves, goggles and shoes etc.)

To carry out any measurements or checks which require the activation of the machine:

- work with the electrical board open only for the necessary time
- close the electrical board as soon as the measurement or check has been completed
- for outdoor units, do not carry out any operations in the presence of dangerous climatic conditions (rain, snow, mist etc.)

The following precautions must be always adopted:

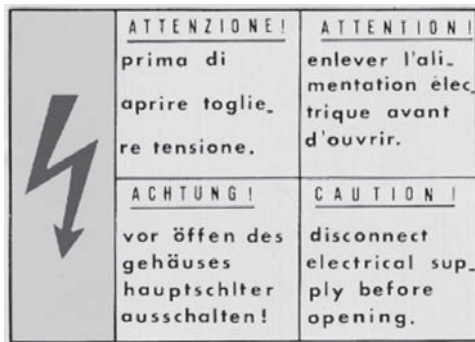
- do not scatter the fluids of the refrigeration circuit in the surrounding environment
- when replacing an eprom or electronic cards, use always suitable devices (extractor, antistatic bracelet, etc.)
- to replace a compressor, the evaporator, the condensing coils or any other weighty element, make sure that the lifting equipment is consistent with the weight to be lifted
- in air units with independent compressor compartment, do not access the fan compartment unless you have disconnected the machine by the disconnecting switch on the board and you have placed a warning sign "do not turn on - maintenance in progress"
- contact Airwell-Italia for any modifications to the refrigeration, hydraulic or wiring diagram of the unit, as well as to its control logics
- contact Airwell-Italia if it is necessary to perform very difficult disassembly and assembly operations
- use only original spare parts purchased directly from Airwell-Italia or the official retailers of the companies on the recommended spare parts list
- contact Airwell-Italia if it is necessary to handle the unit one year after its positioning on site or if you wish to dismantle it.

2.7 Safety labels

The labels below will be affixed to each unit in the indicated point:



Identification of the refrigerant - External door



Electrical warning Adjacent to the master switch



Read the instruction - On the electrical board



On the compressor box



Identification of the unit - Outside, on the right-hand front column



Gravity centre - Base



Grounding connection - On the electrical board, adjacent to the connection

ATTENZIONE

INSERIRE LE RESISTENZE DI RISCALDAMENTO OLIO ALMENO 12 ORE PRIMA DI OGNI AVVIAMENTO (SE PREVISTE)
PRIMA DELLA MESSA IN TENSIONE ASSICURARSI CHE LE VITI DEI CIRCUITI ELETTRICI SIANO SERRATE COMPLETAMENTE

WARNING

ENERGIZE THE CRANCKCASE HEATER FOR AT LEAST 12 HOURS BEFORE EACH STARTING (IF FITTED)
BEFORE TIGHTENING-UP, TO TIGHTEN ALL TERMINAL SCREWS ESPECIALLY THOSE IN MAIN CIRCUIT

WARNUNG

OLSUMPFHEIZUNG (FALLS VORHANDEN) 12 STUNDEN VOR DEM START EINSCHALTEN VOR INBETRIEBNAHME ALLE SCHRAUBENVERBINDUNGEN NACHZIEHEN, BESONDERS DIE ELEKTRISCHEN ANSCHLUSSE

ATTENTION

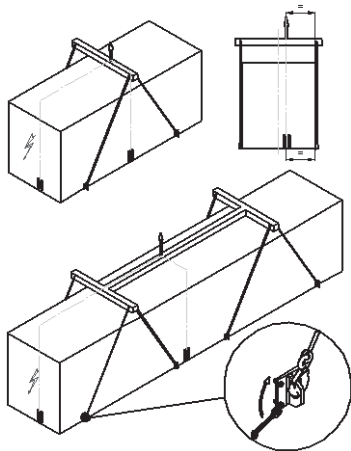
ALIMENTER ELECTRIQUEMENT LA RESISTANCE DE CARTER AU MOINS 12 HEURES AVANT CHAQUE DEMARRAGE (SI MONTE SUR LE PRODUIT)
AVANT DE DEMARRER LA MACHINE, VERIFIER LE SERRAGE DE TOUTES LES BORNES A VIS, SPECIALMENT DANS LE BOITIER ELECTRIQUE

ATENCIÓN

ATENCIÓN! ALIMENTAR ELÉCTRICAMENTE LA RESISTENCIA DE CARTER AL MENOS 12 HORAS ANTES DE CADA PUESTA EN MARCHA (SI ESTA EQUIPADA EN LA UNIDAD)
ANTES DE LA PUESTA EN MARCHA, COMPROBAR QUE LOS BORNES ESTÁN BIEN APRETADOS, ESPECIALMENTE EN EL CUADRO ELÉCTRICO

035B00057-000 MADE IN ITALY

**Start-up warning -
Outside the door of the electrical board**



Instruction for the lifting

EIN - INLET
ENTRÉE - ENTRATA
AUS - OUTLET
SORTIE - USCITA
**Fitting identification -
Adjacent to fittings**

CERTIFICATO DI COLLAUDO PRODUZIONE ITELCO-CLIMA
ITELCO-CLIMA PRODUCTION TEST CERTIFICATE

UNITA' ARIA-ARIA/ARIA-ACQUA - SEMICENTRALI - CHILLER AIR/AIR AIR/WATER

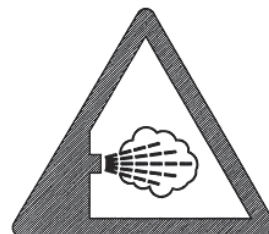
| PROGR. COLL. NUMBER CHECK | DESCRIZIONE DEI TEST DESCRIPTION OF QUALITY CHECK | TIMERO OPERAT. INSP. CODE |
|---------------------------|---|---------------------------|
| 01 | VERIFICA ASSEMBLAGGIO VERIFY ASSEMBLY COMPLETE | |
| 02 | VERIFICA VISIVA CABLAGGIO COLLEG. ELETTRICI E CONNESSIONE VERIFY WIRING CONNECTIONS | |
| 03 | VUOTO E CARICA REF. VACUUM AND CHARGE TEST | |
| 04 | VERIFICA CON CERCAFUGHE TENUTA CIRCUITO FRIGORIFERO REFRIGERANT LEAK TEST | |
| 05 | PROVE FUNZIONALI CON RILIEVI TEMPERATURA/PRESSIONI-RUMORE FUNCTION AND RUN TEST NOISE TEST | |
| 06 | VERIFICA INTERVENTI SICUREZZE PRESSIONE E TEMPERATURA CHECK OPERATION AND SAFETY DEVICES | |
| 07 | VERIFICA TENUTA CIRCUITO IDR. E FUNZIONAMENTO POMPA (SU PACK) HYDRAULIC CIRCUIT TEST (PUMP CHECK ONLY FOR PACK UNIT) | |
| 08 | VERIFICA MONTAGGIO ACCESSORI (SE PREVISTI) E DOCUMENTAZIONE CHECK ACCESSORIES-DOCUMENTATION | |
| 09 | CONTROLLO ESTETICO FINALE E PULIZIA INTERNA VISUAL CHECK FOR DIRT AND DAMAGE | |

**Final Test Certificate -
Inside the external door**



ATTENZIONE! BORDI TAGLIANTI
VORSICHT! SCHARFE RÄNDER
CAUTION! SHARP EDGES
ATTENTION! BORDS COUPANTS
ATENCIÓN! PERFIL AFILADO

On the coil



Warning - safety valves' vents



**Warning - high-temperature zones
Adjacent to hot pipes or components**

2.8 Safety regulations

| Refrigerant data | Safety data: R410A |
|----------------------------------|--|
| Toxicity | Low |
| Contact with skin | If sprayed, the refrigerant is likely to cause frost burns. If absorbed by the skin, the danger is very limited; it may cause a slight irritation, and the liquid is degreasing. Unfreeze the affected skin with water. Remove the contaminated clothes with great care - in the presence of frost burns, the clothes may stick to the skin. Wash with plenty of warm water the affected skin. In the presence of symptoms such as irritation or blisters, obtain medical attention. |
| Contact with eyes | Vapours do not cause harmful effects. The spraying of refrigerant may cause frost burns. Wash immediately with a proper solution or with tap water for at least 10 minutes, and then obtain medical attention. |
| Ingestion | Very unlikely - should something happen, it will cause frost burns. Do not induce vomiting. Only if the patient is conscious, wash out mouth with water and give some 250 ml of water to drink. Then, obtain medical attention. |
| Inhalation | R410A: remarkable concentrations in the air may have an anaesthetic effect, up to fainting. The exposure to considerable amounts may cause irregular heartbeat, up to the sudden death of the patient. Very high concentrations may result in the risk of asphyxia, due to the reduction in the oxygen percentage in the atmosphere. Remove the patient to fresh air and keep warm and at rest. If necessary, give oxygen. In case of breathing difficulties or arrest, proceed with artificial respiration. In case of cardiac arrest, proceed with cardiac massage. Then, obtain medical attention. |
| Recommendations | Semiotics or support therapy is recommended. Cardiac sensitisation has been observed that, in the presence of circulating catecholamines such as adrenalin, may cause cardiac arrhythmia and accordingly, in case of exposure to high concentrations, cardiac arrest. |
| Prolonged exposure | R410A: a study on the effects of exposure to 50,000 ppm during the whole life of rats has identified the development of benign testicle tumour. This situation should therefore be negligible for personnel exposed to concentrations equal to or lower than professional levels. |
| Professional levels | R410A: Recommended threshold: 1000 ppm v/v - 8 hours TWA. |
| Stability | R410A: Not specified |
| Conditions to avoid | Do not use in the presence of flames, burning surfaces and excess humidity. |
| Hazardous reactions | May react with sodium, potassium, barium and other alkaline metals. Incompatible substances: magnesium and alloys with magnesium concentrations > 2%. |
| Hazardous decomposition products | R410A: Halogen acids produced by thermal decomposition and hydrolysis. |

| | |
|------------------------------------|--|
| General precautions | Do not inhale concentrated vapours. Their concentration in the atmosphere should not exceed the minimum preset values and should be maintained below the professional threshold. Being more weighty than the air, the vapour concentrates on the bottom, in narrow areas. Therefore, the exhaust system must work at low level. |
| Respiratory system protection | If you are in doubt about the concentration in the atmosphere, it is recommended to wear a respirator approved by an accident-prevention Authority, of the independent or oxygen type. |
| Storage | Cylinders must be stored in a dry and fresh place, free from any fire hazard, far from direct sunlight or other sources of heat, radiators etc. Keep a temperature below 50 °C. |
| Protective clothing | Wear overalls, protective gloves and goggles or a mask. |
| Accidental release measures | It is important to wear protective clothing and a respirator. Stop the source of the leak, if you can do this without danger. Negligible leaks can be left evaporating under the sun, providing that the room is well ventilated. Considerable leaks: ventilate the room. Reduce the leak with sand, earth or other absorbing substances. Make sure that the liquid does not channelled into gutters, sewers or pits where the vapours are likely to create a stuffy atmosphere. |
| Disposal | The best method is recovery and recycling. If this method is not practicable, dispose according to an approved procedure, that shall ensure the absorption and neutralization of acids and toxic agents. |
| Fire fighting information | R410A: Not flammable in the atmosphere. |
| Cylinders | The cylinders, if exposed to fire, shall be cooled by water jets; otherwise, if heated, they may explode. |
| Protective fire fighting equipment | In case of fire, wear an independent respirator and protective clothing. |

| Lubricant oil data | Safety data: Polyester oil (POE) |
|--------------------------------------|---|
| Classification | Not harmful |
| Contact with skin | May cause slight irritation. Does not require first aid measures. It is recommended to follow usual personal hygiene measures, including washing the exposed skin with soap and water several times a day. It is also recommended to wash your overalls at least once a week. |
| Contact with eyes | Wash thoroughly with a suitable solution or tap water. |
| Ingestion | Seek medical advice immediately. |
| Inhalation | Seek medical advice immediately. |
| Conditions to avoid | Strong oxidising substances, caustic or acid solutions, excess heat. May corrode some types of paint or rubber. |
| Protection of the respiratory system | Use in well ventilated rooms. |
| Protective clothing | Always wear protective goggles or a mask. Wearing protective gloves is not mandatory, but is recommended in case of prolonged exposure to refrigerant oil. |
| Accidental release measures | It is important to wear protective clothing and, especially, goggles. Stop the source of the leak. Reduce the leak with absorbing substances (sand, sawdust or any other absorbing material available on the market). |
| Disposal | The refrigerant oil and its waste will be disposed of in an approved incinerator, in conformity with the provisions and the local regulations applicable to oil waste. |
| Fire fighting information | In the presence of hot liquid or flames, use dry powder, carbon dioxide or foam. If the leak is not burning, use a water jet to remove any vapours and to protect the personnel responsible for stopping the leak. |
| Cylinders | The cylinders exposed to a fire will be cooled with water jets in case of fire. |
| Fire fighting protective equipment | In case of fire, wear an independent respirator. |

3 TRANSPORT, LIFTING AND POSITIONING

Refrigerators are supplied assembled (apart from standard antivibrating rubber supports, that will be installed on site). The equipment are full of refrigerant and oil, in the quantity required for a proper operation.

3.1 Inspection

When the unit is delivered, it is recommended to check it carefully and to identify any damage occurred during transportation. The goods are shipped ex-factory, at the buyer's risk. Check that the delivery includes all the components listed in the order.

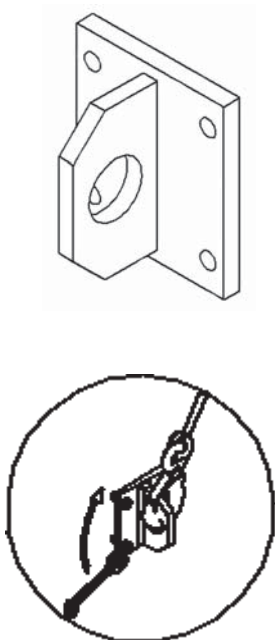
In case of damage, note it down on the carrier's delivery note and issue a claim according to the instructions provided in the delivery note.

In the presence of any serious damage, that does not affect the surface only, it is recommended to inform Airwell-Italia immediately.

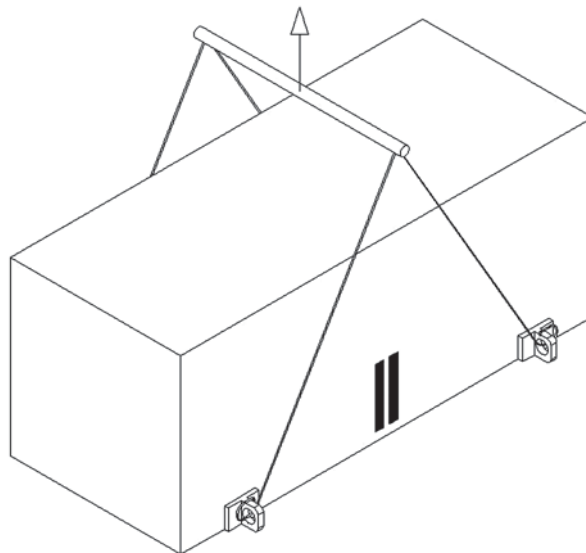
Please note that Airwell-Italia may not be held liable for any damage to the equipment during transportation, even though the carrier has been appointed by the factory.

3.2 Lifting

The unit must be lifted by using the hooks inserted into the relevant eyebolts (see the figure).



It is recommended to use a spacer to prevent cables from damaging the unit (see the figure).



Before positioning the unit, make sure that the place of installation is appropriate and sturdy enough to hold the weight and to withstand the stress caused by the operation of the whole assembly.



Do not displace the unit on rollers, and do not lift it with a lift truck.

**Unit must be lifted carefully.
To lift unit slowly and regularly.**

To lift and displace the unit:

- Insert and secure eyebolts into the holes marked on the frame.
- Insert spacer between cables.
- Hook near the barycentre of the unit.
- The cables must be long enough to form, if tensioned, an angle of at least 45° with respect to the horizontal plane.



For lifting operations, use only tools and material fit for this purpose, in accordance with accident-prevention regulations.



During the lifting and handling of the unit, be careful not to damage the finned pack of the coils positioned on the sides of the unit. The sides of the unit must be protected by cardboard or plywood sheets.



It is recommended not to remove the protective plastic envelope, that should prevent scraps from penetrating into the appliance and any damage to the surfaces, until the unit is ready for operation.



The lifting eyebolts protrude from the base of the unit; it is therefore recommended to remove them once the unit has been lifted and positioned, if in your opinion they are likely to become a source of hazard and injury.

The eyebolts must be mounted on the unit whenever it shall be displaced and then lifted again.

3.3 Anchoring

It is not essential to secure the unit to the foundations, unless in areas where there is a serious risk of earthquake, or if the appliance is installed on the top of a steel frame.

3.4 Storage

When the unit is to be stored before installation, adopt a few precautions to prevent any damage or risk of corrosion or wear:

- plug or seal every single opening, such as water fittings
- do not store the appliance in a room where the temperature exceeds 50°C for the units using R410A and, if possible, do not expose to direct sunlight
- minimum storage temperature is -25 °C
- it is recommended to store the unit in a roof where traffic is minimized, to prevent the risk of accidental damage
- the unit must not be washed with a steam jet
- take away and leave to the site manager all the keys providing access to the control board

Finally, it is recommended to carry out visual inspections at regular intervals.

4 INSTALLATION

4.1 Positioning of the unit



Before installing the unit, make sure that the structure of the building and/or the supporting surface can withstand the weight of the appliance. The weights of the units are listed in Chapter 8 of this manual.

These units have been designed for outdoor installation on a solid surface. Standard accessories include antivibrating rubber supports, that must be positioned under the base.

When the unit is to be installed on the ground, it is necessary to provide a concrete base, to ensure a uniform distribution of the weights.

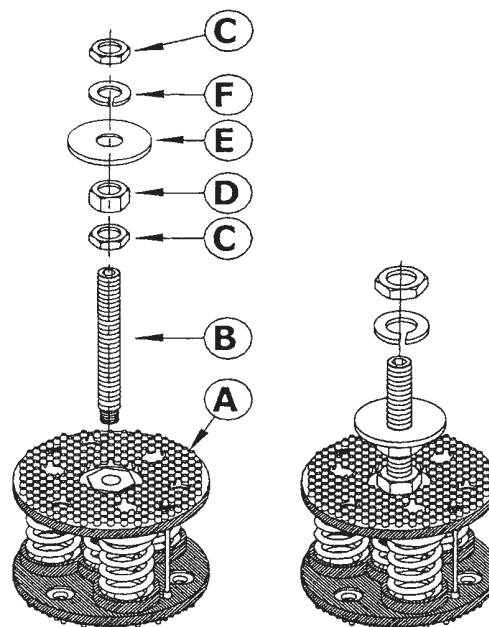
As a general rule, no special sub-bases are required. However, if the unit is to be installed on the top of inhabited rooms, it is advisable to rest it on spring shock absorbers (optional), that will minimise the transmission of any vibration to the structures.

To choose the place of installation of the unit, bear in mind that:

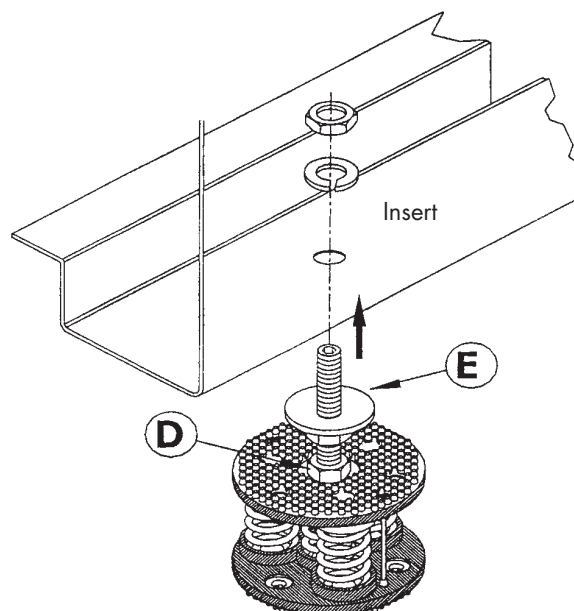
- the longitudinal axis of the unit must be parallel to the direction of prevailing winds, so as to ensure a uniform distribution of the air on finned exchangers
- the unit must not be installed near boilers' vent pipes
- the unit must not be installed leeward with respect to sources of air contaminated by greases, such as, for example, the outlets to kitchen exhaust hoods into the atmosphere. Otherwise, the grease is likely to deposit on the fins of the refrigerant /air exchangers, and would fix every type of atmospheric impurity, resulting in the quick clogging of the exchangers
- the unit must not be installed in areas subject to considerable snow falling
- the unit must not be installed in areas subject to flooding, under gutters etc.
- the unit must not be installed in air shafts, narrow courts or other small places, where the noise may be reflected by the walls or the air ejected by fans may short-circuit itself on refrigerant/air heat exchangers or condenser
- the place of installation must be have all the necessary spaces for air circulation and maintenance operations (see Chapter 8).

4.2 Spring Isolator Installation

- Prepare the base, that must be flat and plane.
- Lift the appliance and insert shock absorbers as follows:

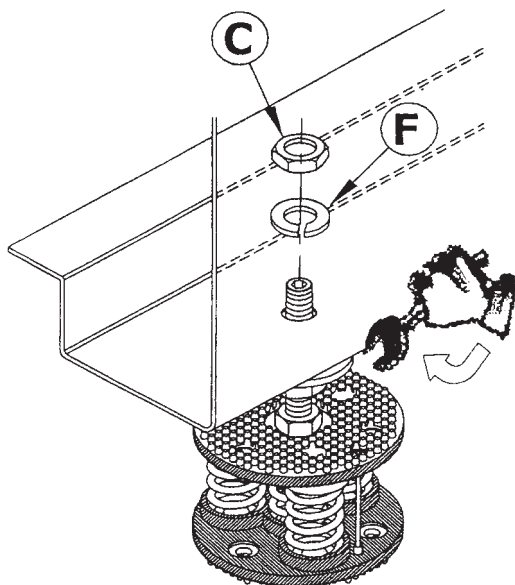


1) Proceed to assemble the jack components.



Installation

- 2) Fit the jack in the threaded housing on the upper plate of the antivibration mount. Next fit the jack mounted on the antivibration mount in the hole in the machine base.



- 3) Make sure the machine base is resting on the flat washer (pos. E) of the jack. To offset any leveling problems, adjust the top nut (pos. D) using an adequate spanner. Lock in position with grower washer (pos.F) and low nut (pos. C).

At the end of this operation, make sure the machine is elastic on the axes and compensating antivibration joints can be fitted in the water connections.

4.3 External hydraulic circuit



The external hydraulic circuit must ensure the water flow to the evaporator under any working or adjustment conditions.

The external hydraulic circuit should consist of the following elements:

- A circulation pump that can ensure the necessary capacity and discharge head.
- The capacity of the primary hydraulic circuit should not be less than 7.5 litres/KW of cooling capacity, in order to prevent the repeated start-up of the compressor and any damage to it. If the water capacity in the primary piping of the circuit and in the evaporator is lower than this value, an

insulated storage tank shall be installed.

- A membrane expansion vessel provided with safety valve with vent, that must be visible.



The capacity of the expansion vessel must allow for an expansion of at least 2% of the volume of the fluid in the circuit (evaporator, piping, user circuit and standby tank, if any). The expansion vessel needs not be isolated, because no water can circulate inside it.

- A flow switch, to disable the appliance when the water is not circulating.



The flow switch must be connected (terminals 1-2) as shown in the wiring diagram of the "User's Terminal Box" (Paragraph 4.7).

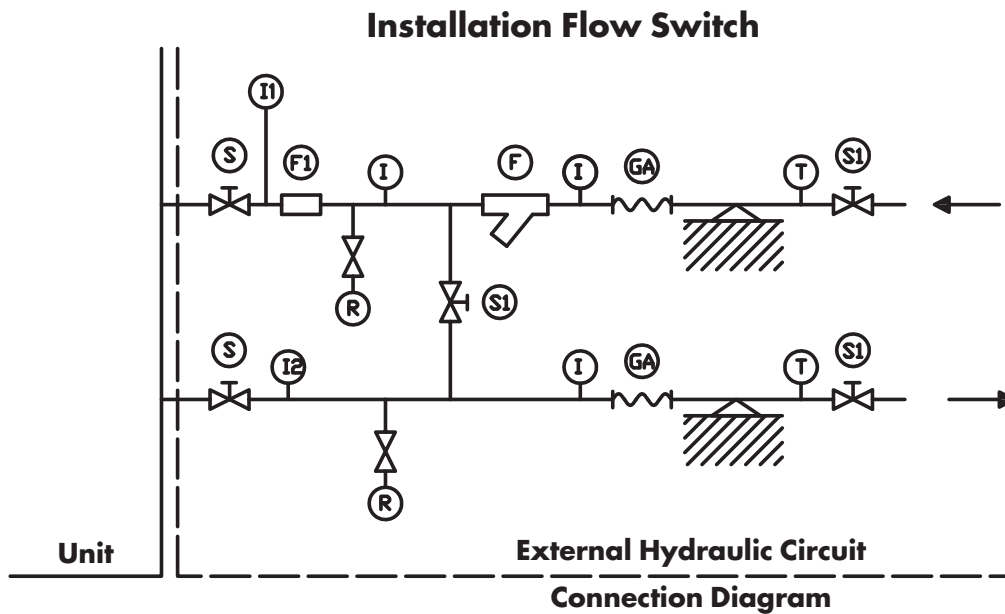
To install the flow switch, follow the manufacturer's instructions.

As a general rule, the flow switch shall be mounted on a horizontal pipe, at a distance from the curves equal to 10 times the diameter of the pipe and far from valves or other components that are likely to hinder the water flow upstream of or downstream from the flow switch.

- The bleed valves must be mounted on the highest point of the piping.
- The stop valves must be mounted on the piping of the water entering/leaving the condenser.
- The discharge points (provided with plugs, cocks etc.) must be arranged in the lowest point of the piping.

Then:

- Provide the evaporator with a by-pass circuit equipped with a valve to wash the plant.
- Insulate the piping, to prevent the risk of heat loss.
- Position a filter on the suction side of the evaporator of the heat recovery condenser.



Legends:

I: Pressure gauge connection
 S: Gate valve
 F1: Flow Switch
 GA: Flexible hoses

R: Drain cock
 T: Thermometer
 F: Filter
 I1/I2: Pressure gauge connection to measure pressure drop or head pressure



Before filling the circuit, it is important to check that it is free from any foreign matter, sand, gravels, rust, welding deposits, waste and other materials that may damage the evaporator.

When cleaning the lines, it is recommended to create a circuit by-pass. It is important to mount a filtering medium (30 mesh) upstream of the chiller.



If necessary, the water required to fill the circuit must be treated to obtain the requested PH.

4.4 Hydraulic connection

The water inlet/outlet fittings shall conform to the instructions provided by the plates affixed near the connection points.

4.5 Draining the defrosting waste water (for heat pump unit only)

When heat pump units work in heating mode, during defrosting cycles, they may discharge water from the base. This is why the units should be installed at least 200 mm above the floor level, so as to allow the free drainage of waste water, without the risk of producing ice banks.

The heat pump units must be installed in positions where the defrosting water cannot create any damage.

Installation

4.6 Power supply



Before carrying out any operations on the electrical system, make sure that the unit is deenergised.



It is important that the appliance is grounded.



The company in charge of the installation shall conform to the standards applicable to outdoor electrical connections.

Airwell-Italia may not be held liable for any damage and/or injury caused by failure to comply with these precautions.

The unit conforms to EN 60204-1.

The following connections shall be provided:

- A 3-phase and grounding connection for the power supply circuit.
- The electrical distribution system shall meet the power absorbed by the appliance.
- The disconnecting and magnetothermal switches must be sized to control the starting current of the unit.
- The power supply lines and the insulation devices must be designed in such a way that every line independent.
- It is recommended to install differential switches, to prevent any damage caused by phase drops.
- The fans and compressors are supplied through contactors controlled from the control panel.
- Each motor is provided with an internal safety thermal device and external fuses.
- The power supply cables must be inserted into dedicated openings on the front of the unit, and they will enter the electrical board through holes drilled on the bottom of the board.

4.7 Electrical connections

The unit must be installed on site according to the Machinery Directive (98/37/EC), the Low Voltage Directive (Low voltage directive 2006/95/EC), the Electromagnetic Interference Directive (89/336/EC) and the usual procedures and standards applicable in the place of installation. The unit must not be operated if its installation has not been carried out according to the instructions provided in this manual.

The power supply lines must consist of insulated copper conductors, dimensioned for the maximum absorbed current.

Connection to terminals must be performed according to the diagram of connections (User's Terminal Box) provided in this manual and according to the wiring diagram which accompanies the unit.



Before connecting the power supply lines, check that the available voltage value does not exceed the range specified in the Electric Data (Chapter 8).

For 3-phase systems, check also that the unbalance between the phases does not exceed 2%. To perform this check, measure the differences between the voltage of each phase couple and their mean value during operation. The maximum % value of these differences (unbalance) must not exceed 2% of the mean voltage.

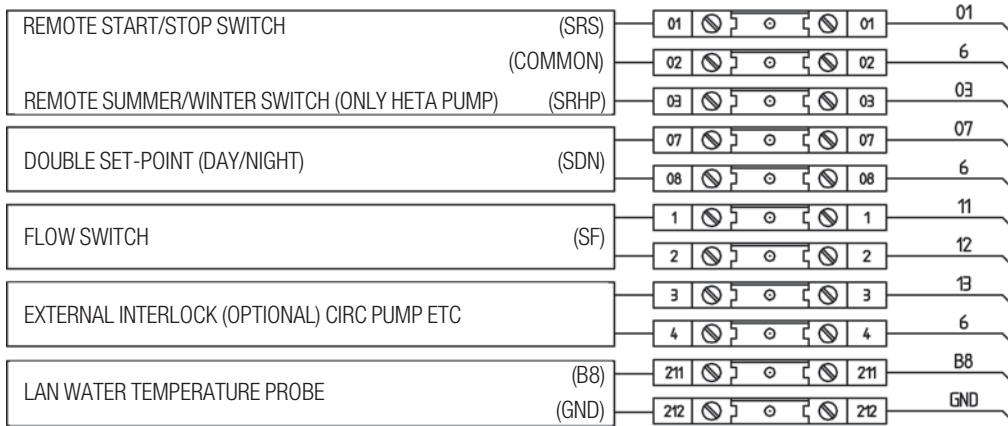
If the unbalance is unacceptable, contact the Energy Distributor to solve this problem.



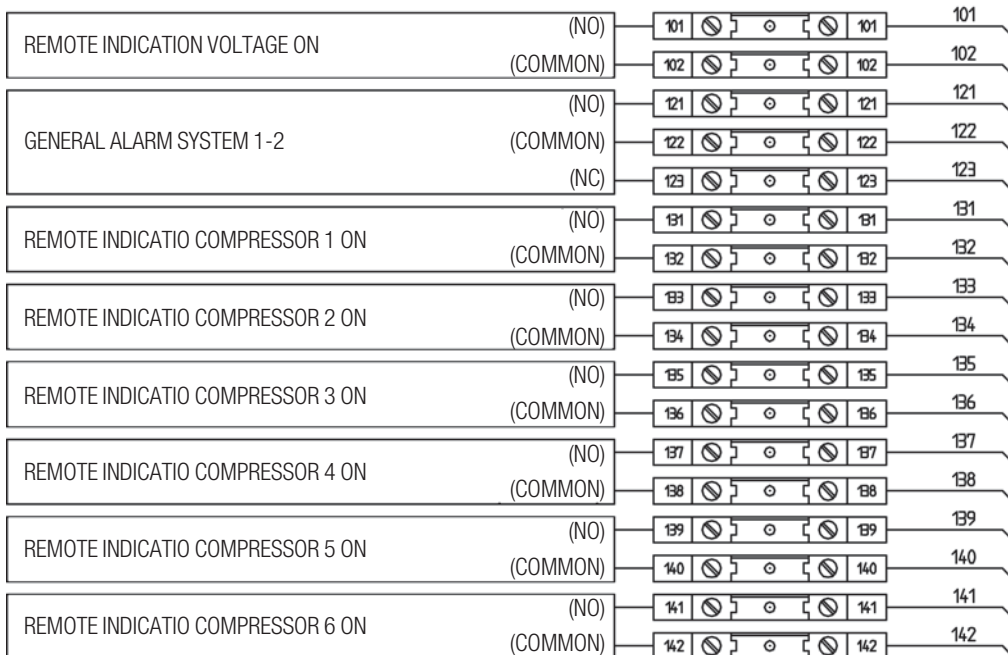
Supplying the unit through a line whose unbalance exceeds the permissible value will automatically void the warranty.

AQTL/AQTH Version – Electrical Connections

QG - Y1



QG - Y2



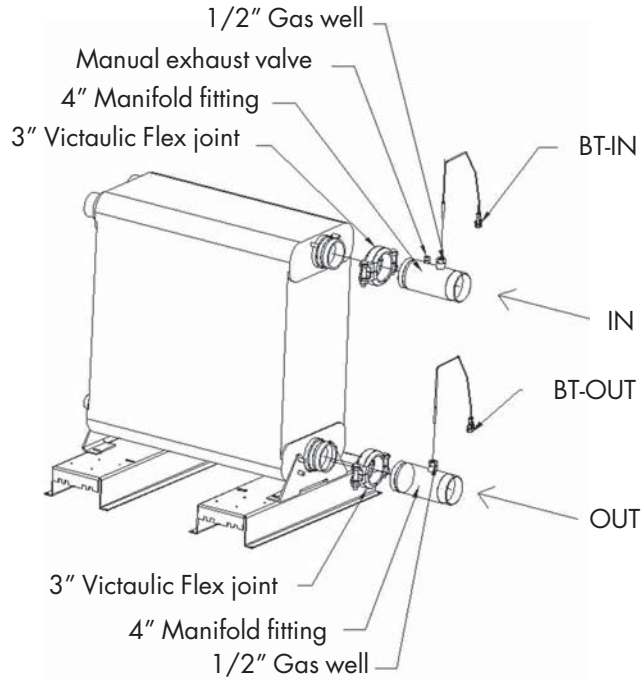
QG - Y3



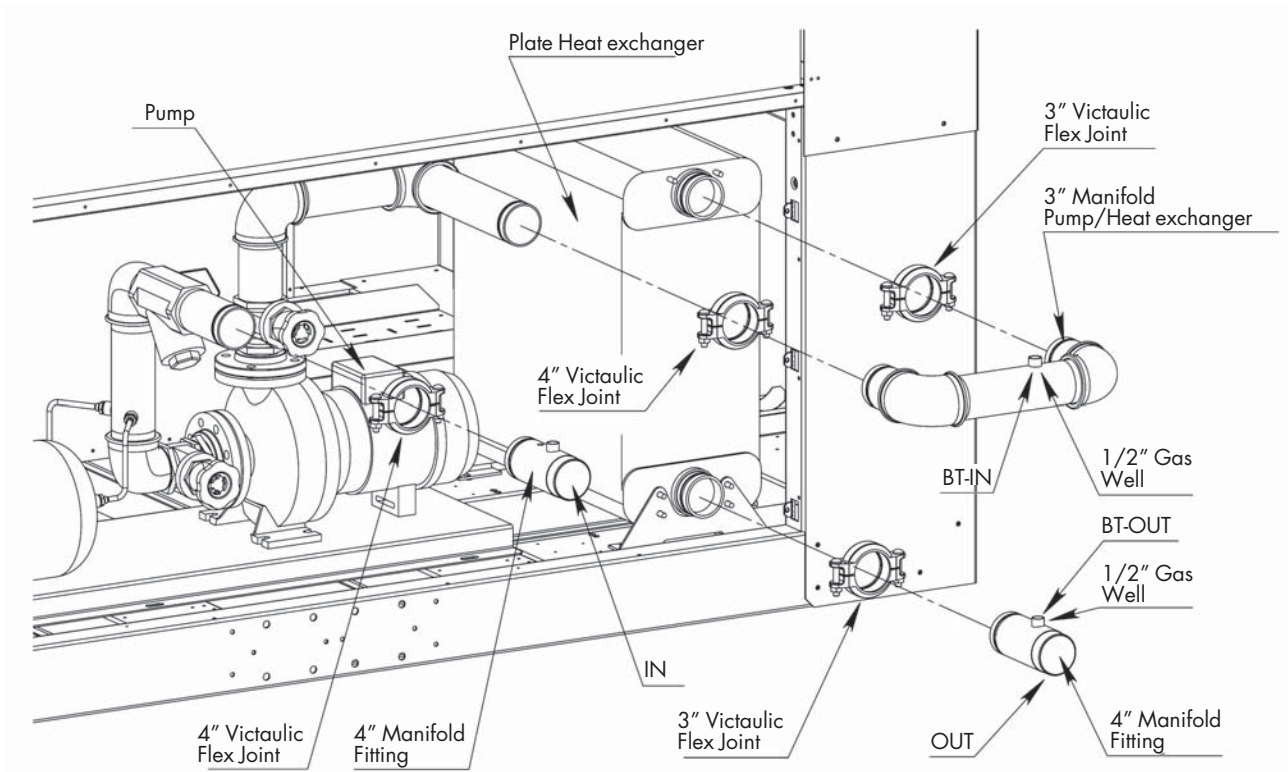
4.8 Connecting plate-type evaporator temperature sensors

AQTL, AQTH and AQTR units are provided with fittings for hydraulic connections between heat exchangers and plant. Each fittings is complete with sensor well to fasten temperature sensor (BT-IN and

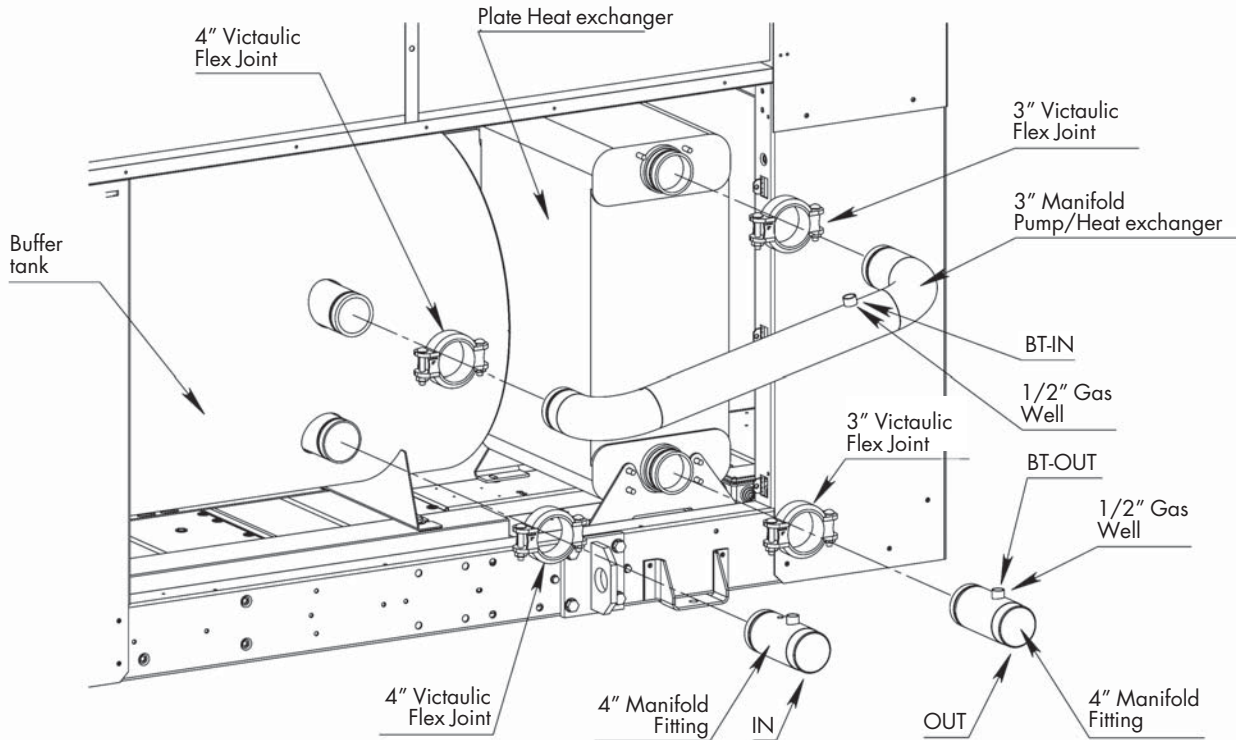
BT-OUT). Fittings are supplied separate and must be mounted during the installation of the unit, as explained in the instruction below.



Connecting the plate type evaporator's temperature sensors (version with pump)



Connecting the plate type evaporator's temperature sensors (version with pump and buffer tank)



4.9 Total heat recovery features

Temperature sensors

Temperature sensors for recovery system water control, BTRin e BTRout, are supplied by factory with the unit, already wired, and must be fitted on the water connections at the heat reclaim condenser inlet and outlet (see wiring diagram).

Three-way valve

The three-way valve must be installed on-site. It permits bypassing the heat reclaim condenser for correct operation at low return water temperature. Water and electrical connections, as well as thermal insulation must be made at the time of installation on-site.

The best position is close to heat reclaim condenser (to achieve a small water circuit).

NOTE: The space required by this valve does not permit installation on the factory

Forced shuttering

When recovery system is on, a commutation from air condensing and water condensing takes place. At the same time compressor-tandem is automatically shuttered to allow the control of condensation in the transient phase. The same process takes place when the system commutates from water condensing to air condensing.

5 START-UP



The unit must be started for the first time by personnel suitably trained by one of Airwell-Italia's Authorised Service Centre. Failure to meet this requirement will immediately void the warranty.



The operations carried out by Airwell-Italia personnel are limited to the start-up of the unit, and do not include any other operation on the plant, such as, for example, electrical and hydraulic connections etc. All the other operations before start-up, including oil pre-heating for at least 12 hours, must be performed by the Installer.

5.1 Preliminary check

The checks listed below shall be performed before starting the unit and before the arrival of the personnel authorised by Airwell-Italia.

- Check the section of power supply and grounding cables; make sure that terminals are tightened and check the correct operation of contactors, with the master switch open.
- Check that any voltage and phase variation in the power supply does not exceed the prefixed thresholds.
- Connect the contacts of the flow switch and the thermal relay of the pump and of the other devices (if any), to terminals 1-2 and 3-4, respectively.
- Check that the components of the external water circuit (pump, user equipment, filters, power supply tank and reservoir, if any) have been installed properly, and according to the manufacturer's instructions.
- Check the filling of the hydraulic circuits, and make sure that the fluid circulation is correct, without any trace of leaks and air bubbles. If you use ethylene glycol as antifreeze, check that its percentage is correct.
- Check that the direction of rotation of the pumps is correct, and that fluids have been circulating for at least 12 hours for both pumps. Then, clean the filters on the suction side of the pumps.
- Adjust the liquid distribution network in such a way that the flow rate is within the specified range.
- Check that the water quality is up to the specifications.
- Check that oil heaters, if any, have been turned on at least 12 hours before.

5.2 Start-up

Start-up sequence:

- Turn on the master switch (at least 12 hours before).
- Check that the oil in the compressor has reached the requested temperature (the minimum temperature outside the pan must be approx. 40°C) and that the auxiliary control circuit is energised.
- Check the operation of all the external equipment, and make sure that the control devices of the plant are properly calibrated.
- Start the pump and check that the water flow is correct.
- Set the desired fluid temperature on the control board.
- Start the appliance (see Chapter 6).
- Check the correct direction of rotation of compressors. Scroll compressors cannot compress the refrigerant when they rotate in the opposite direction. To make sure that they are rotating in the correct direction, simply check that, just after the start-up of the compressor, the pressure drops on the LP side and rises on the HP side. Furthermore, if a scroll compressor rotate in the opposite direction, there is a considerable rise in the sound level of the unit, as well as in a dramatic reduction of current absorption compared to normal values. In case of wrong rotation, the scroll compressor can be definitely damaged.
- After about 15 minutes of operation check that there are no bubbles, through the sight glass on the liquid line.



The presence of bubbles may indicate that a part of the refrigerant charge has been released in one or more points. It is important to remove these leaks before proceeding.

- Repeat the start-up procedure after removing the leaks.
- Check the oil level in the compressor's sight glass.

5.3 Checking the operation

Check the following:

- The temperature of the water entering the evaporator.
- The temperature of the water leaving the evaporator.
- The level of the water flow rate in the evaporator, if possible.
- The current absorption upon the start of the compressor and in case of stabilised operation.
- The fan's current absorption.

Check that the condensing and evaporation temperatures, during operation at high and low pressure detected by the pressure gauges of the refrigerant, are within the following range:
(On the units not provided with HP/LP pressure gauges for the refrigerant, connect a pressure gauge to the Shrader valves on the refrigeration circuit).

| | |
|----------------|--|
| HP side | Approx. 15 to 21°C above the temperature of the air entering the condenser, for R410A units. |
| LP side | Approx. 2 to 4°C below the temperature of the leaving chilled water, for R410A units. |

5.4 Delivery to the customer

- Train the user according to the instructions provided in Section 6.

6 GENERAL INFORMATION

Introduction

This document contains the information and the operating instructions for AQT.

This information is for the after-sales service and the production operators, for the end-of-line testing.

Main Characteristics

- Microprocessor control
- User-friendly keyboard
- Proportional and integral control of the return water temperature (RWT)
- Hysteresis control of the leaving water temperature (LWT)
- Access code to enter the Manufacturer's Level
- Access code to enter the Assistance Level
- Alarm and LED
- Backlighted LCD
- Closed-loop condensing pressure control
- Pump-Down logic (start-stop)
- Rotation of the compressor operation
- Oil return function
- Night mode (or Low Noise) control
- Counting of the pump/compressors' hours of operation
- Display and control of superheating by EEV
- Display of discharge and suction pressure values
- History of stored alarms (option)
- Programming of different setpoints with 4 ranges of time/setpoint.

The following accessories can be also connected:

- Real Time Clock Memory Card: alarm history and programming of different setpoints with ranges of time
- Serial Communication RS485 Card; to connect the **Chiller Control** to a BMS network
- Remote Display Terminal
- Wire Remote Control

6.1 Control of AQT The "CHILLER CONTROL" system

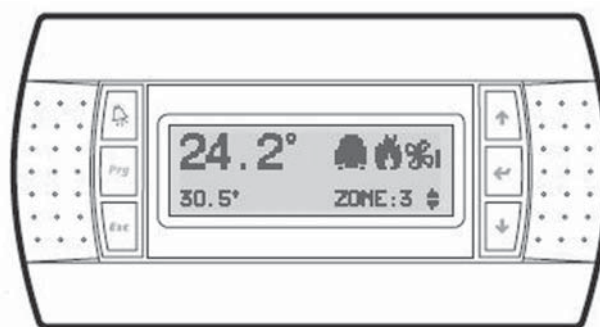
The AQT machines are provided with a microprocessor card which is fully programmed in factory for the control of a chiller with 2 circuits, 2/3 compressors per circuit, a high-pressure transducer per circuit, electronic expansion valve.

Keyboard & Display Terminal

General information

The figure shows the terminal with the front door open.

It is provided with a LCD 4 lines x 20 columns, keyboard and microprocessor-controlled LED's, so as to allow the programming of the control parameters (setpoint, differential bands, alarm thresholds) and themain operations to be carried out by the user.



Terminal & Key Board description

The terminal makes it possible to carry out the following operations:

- the initial configuration of the machine
- the change of all the main operating parameters
- the display of the detected alarms
- the display of all the measured quantities

The terminal and the card are connected by a 6-way phone cable.

The connection of the terminal to the basic card is not essential for the normal operation of the controller.



Access to the "display mask" of the machine status.

Utente
Costruttore
Manutenzione
In/Out

Setpoint
Versione
Fasce orarie



Esc key: allows you to move from one mask to another.



Alarm key: used to display the alarms, to reset them in manual. Press it one to display the mask of the activated alarm, press it again to reset the alarm signal.



Prg-Esc keys: Pressing these keys at the same time, allows you to turn the unit on/off.



Up-Down keys: allows you to set the control parameters' values and to move from one mask to another (not backlighted).

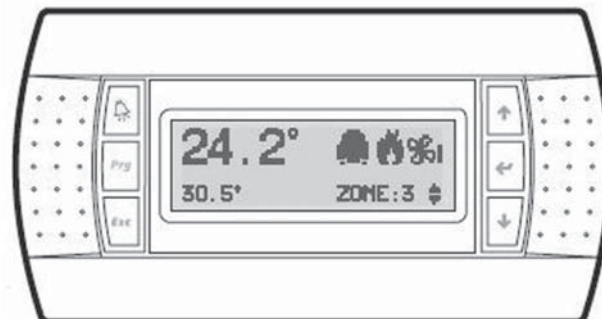


Enter key: used to move the cursor inside the masks and to save the values of the set parameters.

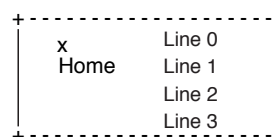


Alarm-Enter keys: Press these keys at the same time to enter the "historical alarm" after 1' come back at status machine menu'.

6.2 Display



The display is an LCD 4 lines x 20 columns. The quantities and the information about the operation of the unit are alternated in the form of subsequent screens, named.



6.3 Keyboard

Arrows key - Up/Down/Enter

If the cursor is in the top left-hand corner (Home), press the UP/DOWN keys to access the subsequent masks associated to the selected branch. If a mask includes some value setting fields and you press the ENTER key, the cursor will reach these fields. Once you have reached the quantity setting field, you can modify any value (within the expected limits) by pressing the UP/DOWN keys. After you have selected the desired value, press the ENTER key again to store it.

■ Alarms



| Alarm | Description | Comp Circ 1 Status | Comp Circ 2 Status | Fan Circuit 1 Status | Fan Circuit 2 Status | Pump Status | Reset out/man | |
|-------|--------------------------------------|--------------------|--------------------|----------------------|----------------------|-------------|---------------|--|
| AL01 | Power supply wrong | OFF | OFF | OFF | OFF | OFF | MAN | |
| AL02 | Antifreeze alarm | OFF | OFF | OFF | OFF | OFF | MAN | |
| AL03 | Interlock | OFF | OFF | OFF | OFF | OFF | MAN | |
| AL04 | Lack of flow | OFF | OFF | OFF | OFF | OFF | AUTO 1/hour | |
| AL05 | SYS #1 Low suction pressure | OFF | ON | OFF | ON | ON | AUTO 1/hour | |
| AL06 | SYS #2 Low suction pressure | ON | OFF | ON | OFF | ON | AUTO 1/hour | |
| AL07 | SYS #1 High pressure supply | OFF | ON | OFF | ON | ON | AUTO 1/hour | |
| AL08 | SYS #2 High pressure supply | ON | OFF | ON | OFF | ON | AUTO 1/hour | |
| AL91 | SYS #1 Thermal compressor 1 | OFF COMP1 | ON | ON | ON | ON | AUTO 1/hour | |
| AL92 | SYS #1 Thermal compressor 2 | OFF COMP2 | ON | ON | ON | ON | AUTO 1/hour | |
| AL93 | SYS #1 Thermal compressor 3 | OFF COMP3 | ON | ON | ON | ON | AUTO 1/hour | |
| AL101 | SYS #2 Thermal compressor 1 | ON | OFF COMP1 | ON | ON | ON | AUTO 1/hour | |
| AL102 | SYS #2 Thermal compressor 2 | ON | OFF COMP2 | ON | ON | ON | AUTO 1/hour | |
| AL103 | SYS #2 Thermal compressor 3 | ON | OFF COMP3 | ON | ON | ON | AUTO 1/hour | |
| AL11 | Recovery antifreeze alarm | Recovery disabled | | | | | | |
| AL141 | SYS #1 Thermal cond.fans 1 | OFF | ON | OFF | ON | ON | MAN | |
| AL142 | SYS #1 Thermal cond.fans2 | OFF | ON | OFF | ON | ON | MAN | |
| AL151 | SYS #2 Thermal cond.fans 1 | ON | OFF | OFF | ON | ON | MAN | |
| AL152 | SYS #2 Thermal cond.fans2 | ON | OFF | OFF | ON | ON | MAN | |
| AL16 | SYS #1 Compressor diff.press.alarm | OFF | ON | OFF | ON | ON | MAN | |
| AL17 | SYS #2 Compressor diff.press.alarm | ON | OFF | ON | OFF | ON | MAN | |
| AL21 | Remote setpoint out of range | OFF | OFF | OFF | OFF | OFF | MAN | |
| AL22 | Press.suction SYS1 Sensoralarm | OFF | ON | OFF | ON | ON | AUTO 1/hour | |
| AL23 | Press.discharge SYS1 Sensoralarm | OFF | ON | OFF | ON | ON | MAN | |
| AL24 | Temp.Return Water Damaged Sensor | OFF | OFF | OFF | OFF | OFF | MAN | |
| AL25 | Temp Leaving Water Damaged Sensor | OFF | OFF | OFF | OFF | OFF | MAN | |
| AL26 | Press Suction SYS2 Sensoralarm | ON | OFF | ON | OFF | ON | MAN | |
| AL27 | Press.Discharge SYS2 Sensoralarm | ON | OFF | ON | OFF | ON | MAN | |
| AL28 | Temperatur Chill.net Sensoralarm | OFF | OFF | OFF | OFF | OFF | MAN | |
| AL29 | Temperatur Coil SYS1 Sensoralarm | OFF | ON | OFF | ON | ON | MAN | |
| AL30 | Temperatur Coil SYS2 Sensoralarm | ON | OFF | ON | OFF | ON | MAN | |
| AL301 | Outdoor Air Temper. Sensoralarm | OFF | OFF | OFF | OFF | OFF | MAN | |
| AL302 | Temp.Discharge SYS1 Sensoralarm | OFF | ON | OFF | ON | ON | MAN | |
| AL303 | Temp.Discharge SYS2 Sensoralarm | ON | OFF | ON | OFF | ON | MAN | |
| AL304 | Temp.Return Recovery Sensoralarm | OFF | OFF | OFF | OFF | OFF | MAN | |
| AL305 | Temp Leaving Recovery Sensoralarm | OFF | OFF | OFF | OFF | OFF | MAN | |
| AL311 | SYS #1 compressor 1 maintenance | ON | ON | ON | ON | ON | MAN | |
| AL312 | SYS #1 compressor 2 maintenance | ON | ON | ON | ON | ON | MAN | |
| AL313 | SYS #1 compressor 3 maintenance | ON | ON | ON | ON | ON | MAN | |
| AL321 | SYS #2 compressor 1 maintenance | ON | ON | ON | ON | ON | MAN | |
| AL322 | SYS #2 compressor 2 maintenance | ON | ON | ON | ON | ON | MAN | |
| AL323 | SYS #2 compressor 3 maintenance | ON | ON | ON | ON | ON | MAN | |
| AL33 | Evaporator Pump Maintenance | ON | ON | ON | ON | ON | MAN | |
| AL44 | pCOe disconnected | ON | ON | ON | ON | ON | MAN | |
| AL45 | Analog input probe channel 1 broken | OFF | OFF | OFF | OFF | OFF | MAN | |
| AL46 | Analog input probe channel 2 broken | OFF | OFF | OFF | OFF | OFF | MAN | |
| AL47 | Analog input probe channel 3 broken | OFF | OFF | OFF | OFF | OFF | MAN | |
| AL48 | Analog input probe channel 4 broken | OFF | OFF | OFF | OFF | OFF | MAN | |
| AL51 | EEV Motor error (check wirings) SYS1 | OFF | ON | OFF | ON | ON | MAN | |
| AL52 | MOP timeout (check timeout) SYS1 | OFF | ON | OFF | ON | ON | MAN | |
| AL53 | LOP timeout (check timeout) SYS1 | OFF | ON | OFF | ON | ON | MAN | |
| AL54 | Low SuperHeat (check timeout) | OFF | ON | OFF | ON | ON | MAN | |

Control

| Alarm | Description | Comp Circ 1 Status | Comp Circ 2 Status | Fan Circuit 1 Status | Fan Circuit 2 Status | Pump Status | Reset aut/man |
|-------|---------------------------------------|--------------------|--------------------|----------------------|----------------------|-------------|---------------|
| AL55 | High SuperHeat (check timeout) | OFF | ON | OFF | ON | ON | MAN |
| AL56 | EEV not closed during power OFF | OFF | ON | OFF | ON | ON | MAN |
| AL57 | Probe S1 error | OFF | ON | OFF | ON | ON | MAN |
| AL58 | Probe S2 error | OFF | ON | OFF | ON | ON | MAN |
| AL59 | Probe S3 error | OFF | ON | OFF | ON | ON | MAN |
| AL60 | EVD Gohead request (maintenance menu) | OFF | ON | OFF | ON | ON | MAN |
| AL61 | Lan disconnected | OFF | ON | OFF | ON | ON | MAN |
| AL62 | Auto Setup Procedure not completed | OFF | ON | OFF | ON | ON | MAN |
| AL63 | EEprom error | OFF | ON | OFF | ON | ON | MAN |
| AL64 | EEV Motor error (check wirings) | ON | OFF | ON | OFF | ON | MAN |
| AL65 | MOP timeout (check timeout) | ON | OFF | ON | OFF | ON | MAN |
| AL66 | LOP timeout (check timeout) | ON | OFF | ON | OFF | ON | MAN |
| AL67 | Low SuperHeat (check timeout) | ON | OFF | ON | OFF | ON | MAN |
| AL68 | High SuperHeat (check timeout) | ON | OFF | ON | OFF | ON | MAN |
| AL69 | EEV not closed during power OFF | ON | OFF | ON | OFF | ON | MAN |
| AL70 | Probe S1 error | ON | OFF | ON | OFF | ON | MAN |
| AL71 | Probe S2 error | ON | OFF | ON | OFF | ON | MAN |
| AL72 | Probe S3 error | ON | OFF | ON | OFF | ON | MAN |
| AL73 | EVD Gohead request (maintenance menu) | ON | OFF | ON | OFF | ON | MAN |
| AL74 | Lan disconnected | ON | OFF | ON | OFF | ON | MAN |
| AL75 | Auto Setup Procedure not completed | ON | OFF | ON | OFF | ON | MAN |

■ Setpoint

Pressing the Set key allows you to enter the Set point level accessible to the user. The parameters that can be set are listed below, along with the limit values and the default values (standard shop settings):

| User parameters | Control mode | Min value | Max value | Default |
|---------------------------------|---------------------|---------------------|-----------|---------|
| Cooling Setpoint | RWT Return Control | 8 | 20 | 10 |
| | LWT Leaving Control | 6 | 20 | 8 |
| Cooling Setpoint - glycol water | RWT Return Control | -15 | 20 | 10 |
| | LWT Leaving Control | -15 | 20 | 8 |
| Proportional band | RWT Return Control | 1 | 10 | 5 |
| | LWT Leaving Control | 1 | 6 | 2 |
| Heating Setpoint | RWT Return Control | 20 | 45 | 40 |
| | LWT Leaving Control | 20 | 50 | 40 |
| Languages | -- | ITA ENG FRE GER SPA | | ITA |
| System On/Off | | | | |
| System 1 # | -- | OFF | ON | OFF |
| System 2 # | -- | OFF | ON | OFF |
| Unit Management | | Cooling | Heating | |

Control

6.4 Protection and Safety Equipment

Defrosting System (only for AQTH models)

The AQTH units are provided with an automatic defrosting system, which prevents the formation of excessive ice banks on coolant/air exchangers during heat pump operation.

This system, which is part of the electronic control system, is of the time/suction pressure type, and when the suction pressure detected by a sensor drops below a fixed limit, once the preset time is over, switches from heating to cooling the operation of the unit, with the fans stopped.

During the defrosting cycle the compressor works normally, but the coil's fans remain off. The defrosting cycle stops after the coil has been defrosted, and at this point the unit can work in heating mode again.



For safety purposes, fans are started also during defrosting, if the discharge pressure reaches considerable values.

Frost Protection for the Chilled Fluid

These units are provided with frost protection for the chilled fluid. This protection consists of an electrical resistor positioned in contact with the coolant/circulating fluid exchanger, which is activated (although the unit is off) when the temperature of the fluid drops below 5 °C - the standard value for a non-glycol unit.

If the leaving water temperature drops below 4 °C (standard value for a non-glycol unit) the machine's antifreeze alarm is activated. If the circulating fluid is water, before the beginning of the cold season it is advisable to drain the circuit to prevent water frosting.

If the circuit cannot be drained, it is essential to avoid de-energizing the unit, so as to permit the activation, when necessary, of the frost protection.

Compressor protection

Compressors are equipped with a heating element to prevent oil dilution, which may result in remarkable risks of failure of compressors.

The windings of the compressors' motors are provided with a thermal protection.

For AQT models an accessory kit for thermal protection is available, for any overcurrent of scroll compressors, which shall be shop-mounted.

Electrical flow switch

To ensure the correct operation of the unit, a electrical flow switch must be installed, to prevent the unit working in case of insufficient circulation of the chilled fluid.



The electrical flow switch must be carefully installed, according to the instructions given by the Manufacturer.

The electrical flow switch must be installed on the pressing side of the circulation pump for the fluid, just upstream of the heat exchanger's inlet. The electrical flow switch must be installed in a horizontal straight length of piping, in a position reasonably far (both upstream and downstream) from localized pressure drops (curves, valves etc.).

Continuous Regulation of the Fan Speed

The fans' speed regulator, if installed, allows the unit to work at an ambient temperature down to -18 °C.

Differential pressure switch

This pressure switch halts the operation of the unit in the event that it does not detect a sufficient pressure drop through the exchanger.

6.5 HPF version configuration

Units equipped with special brushless fans (HPF) can be set-up on the field to give the unit a specific static pressure.

By entering parameter in service level - Max Speed (Vdc) - it is possible to modify high static pressure.

The table below shows the correspondance between chiller model, fan RPM, high static pressure.

| Size | Fan Static Pressure [Pa] | Fan RPM | Parameter in Service Level: Max Speed (Vdc) |
|------|--------------------------|---------|--|
| 1206 | 0 | 900 | 7,6 |
| | 30 | 950 | 8,1 |
| | 55 | 1000 | 8,5 |
| | 85 | 1050 | 8,9 |
| | 120 | 1110 | 9,4 |
| 1355 | 0 | 900 | 7,6 |
| | 25 | 950 | 8,1 |
| | 55 | 1000 | 8,5 |
| | 85 | 1050 | 8,9 |
| | 120 | 1110 | 9,4 |
| 1506 | 0 | 900 | 7,6 |
| | 25 | 950 | 8,1 |
| | 50 | 1000 | 8,5 |
| | 80 | 1050 | 8,9 |
| | 120 | 1110 | 9,4 |
| 1656 | 0 | 900 | 7,6 |
| | 15 | 950 | 8,1 |
| | 45 | 1000 | 8,5 |
| | 80 | 1050 | 8,9 |
| | 120 | 1110 | 9,4 |
| 1806 | 0 | 900 | 7,6 |
| | 10 | 950 | 8,1 |
| | 40 | 1000 | 8,5 |
| | 75 | 1050 | 8,9 |
| | 120 | 1110 | 9,4 |
| 2106 | 0 | 900 | 7,6 |
| | 15 | 950 | 8,1 |
| | 45 | 1000 | 8,5 |
| | 80 | 1050 | 8,9 |
| | 120 | 1110 | 9,4 |
| 2406 | 0 | 900 | 7,6 |
| | 10 | 950 | 8,1 |
| | 40 | 1000 | 8,5 |
| | 75 | 1050 | 8,9 |
| | 120 | 1110 | 9,4 |

General Description

7 GENERAL DESCRIPTION

7.1 Introduction

AQT units are water chillers /air-water heat pumps provided with hermetic scroll compressors with two refrigeration circuits.

These units are fit for cooling and heating intermedia-

te fluids (glycoled water), for air-conditioning applications in industrial processes.

These units can be installed outdoor on the roof of a building or at ground level.

This series includes the following versions:

| Version (STD/HSE ¹) | Description |
|--|--|
| Base Low Noise version (BLN ²) Low Noise version (LN) Extra Low Noise version (ELN) High Temperature version (HT) | Air condensing chillers/heat pumps, using R410A refrigerant. |

¹ High efficiency Units (HSE) with brushless fans

² A High Pressure Fan (HPF) version is available

For each AQT version, the corresponding condensing unit version (AQTC) is available

Available options:

| Options | Description |
|------------------|--|
| AQTL/D AQTH/D | The heat recovery is carried out by a desuperheater mounted on the compressor's discharge line. |
| AQTR | Total heat recovery is carried out by a heat exchanger mounted on the compressor's discharge line in parallel with the condensing circuit. Heat recovery function is activated by mean of a 4-ways valve. |

7.2 General specifications

AQT units are supplied complete and provided with all connecting pipes for the refrigerant and internal wiring.

The refrigeration circuit of each unit undergoes a pressure test, is drained, vacuumised, dehydrated and filled with refrigerant, and includes the necessary oil. Once assembled, each unit is subjected to a complete final testing and the correct operation of all refrigeration circuits is checked.

The base and the frame of each unit are made of very thick galvanised sheet, and are secured by screw and stainless bolts. All panels are secured by screw and tropicalised steel bolts, they can be disassembled for easy access to internal components.

All galvanised steel parts are painted with white polyester resin (RAL 9001), to ensure the resistance of the unit to corrosion and weather agents over time.

7.3 Compressors

These units are provided with hermetic scroll compressors, with built-in motor protection.

Compressors are mounted on shock absorbers to reduce vibrations. Motors are of direct start-up type, cooled by the sucked refrigerant gas.

Thermistors protect the windings from any overtemperatures and the electronic control checks that the delivery temperature is within the permissible range.

The capacity control, as well as the control of the delivered cooling capacity, are always ensured by the electronic control.

7.4 Refrigeration circuits

Each unit has two complete refrigeration circuits, including: a service valve to fill the unit with refrigerant, shut-off valves, thermostatic expansion valve, dehydrating filter, sight glass with humidity indicator, a differential pressure switch for the water.

The outdoor AQTC units, deriving from the AQTL versions, are marked by the absence of the evaporator, and are equipped with shutoff cocks on the suction line and on the liquid line, so as to allow the connection of remote evaporators.

Furthermore, each circuit is equipped with safety devices in accordance with PED 97/23/EC: HP and LP pressure switches, safety valves providing protection in case of fire or malfunction of compressors.

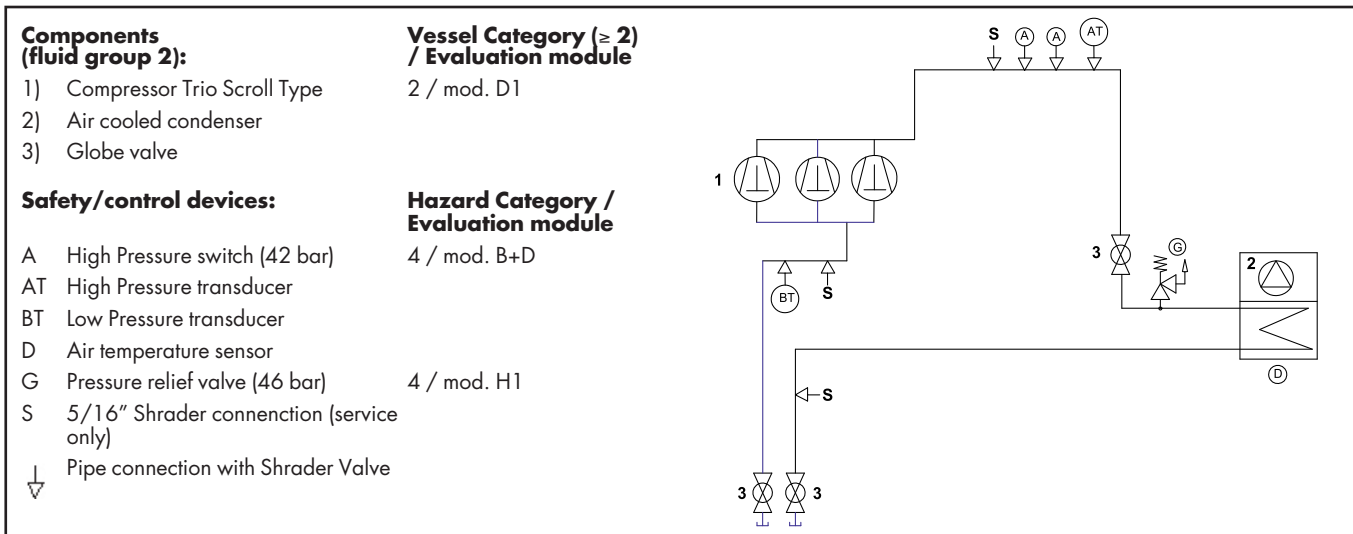
7.5 Water heat exchanger

The evaporators are of stainless steel plate type.

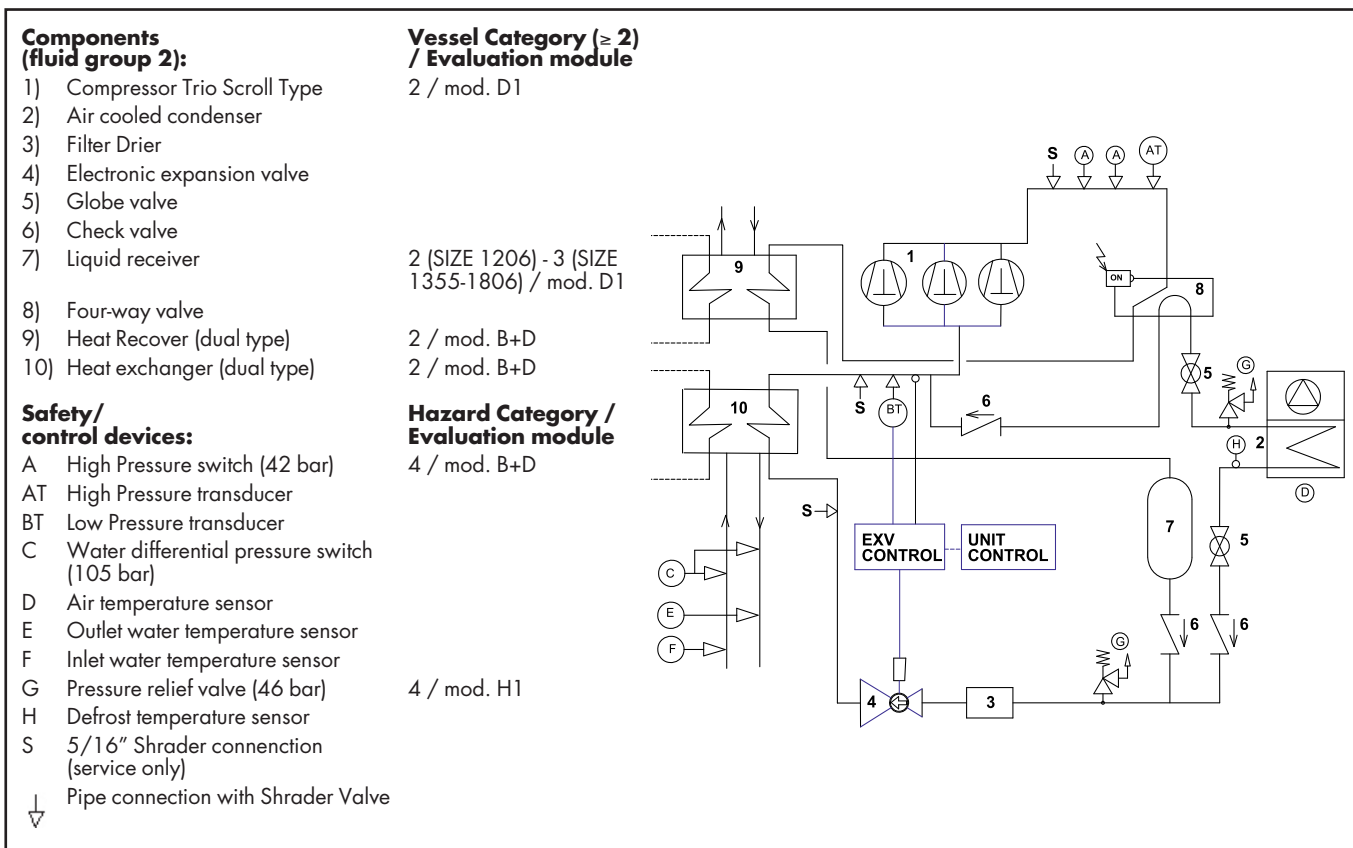
Their thermal insulation is ensured by a thick flexible closed-cell heat-insulating jacket. Furthermore, the frost protection is ensured by electric heaters.

These exchangers can work at pressures up to 10 bar on the hydraulic side and 30 bar on the refrigerant side.

AQTC refrigeration diagram



AQTR refrigeration diagram



7.8 Electric power supply and control system

The control compartment contains an electronic card with keyboard and a display for working parameters, alarms, if any, and operating blocks. It is complete with remote control switches and protection fuses for the motors of compressors, fans and pumps.

7.9 Accessories

List of available accessories, provided separately, to be mounted on site by the installer:

Water flow switch

Prevents the operation of the unit when the chilled fluid is insufficient. It is advisable to install a flow switch, to ensure the correct operation of the unit.

Water filter

Filter to be mounted on the suction side of the water heat exchanger.

Antivibrating supports (AVM)

Isolating spring supports, equipped with bolts for fastening to the base. They are supplied separated from the unit and must be mounted on site by the customer, at his own expense.

Fan speed regulator

The speed regulator of the fans is mounted as a standard accessory for the Extra Low Noise units, and is an optional accessory for the Standard and Low Noise units. The fan speed is controlled in order to work at a low room temperature, and allows the unit to work down to a room temperature of -18°C . The control can be of the pressostatic step type, with temperature correction, or of continuous type (under pressure), with electronic regulator. The regulator is of electronic type only for the Extra Low Noise versions.

Wire-type remote control kit

The kit includes a remote control for wall mounting, complete with 3m-long connecting cable, and installation manual and a transformer. For longer distances (i.e. up to 50m) you can use a multipolar cable of minimum section (0.25mm). Conductors should be connected directly and according to the diagram which accompanies the installation instructions.

Remote wall terminal

Makes it possible to check the unit through a remote terminal, up to a maximum distance of 200 meters.

RS-485 serial card (for MODBUS or LONWORK or BACNET)

A communication interface makes it possible to control and manage the unit from a local station, with RS485 connection, up to a distance of 1,000m. It is possible to obtain the remote control and the management, by inserting the control into the management plant of the building.

8 TECHNICAL DATA

8.1 Pressure drops

| PRESSURE DROP IN THE EVAPORATOR* | | | | | | | | |
|----------------------------------|------------------------------|------------------|------------------|------------------|------------------|------------------|------------------|------------------|
| | | AQTL/H/R 1206 | AQTL/H/R 1355 | AQTL/H/R 1506 | AQTL/H/R 1656 | AQTL/H/R 1806 | AQTL/H/R 2106 | AQTL/H/R 2406 |
| K | kPa/(l/s)² | 0,21 | 0,21 | 0,15 | 0,15 | 0,08 | 0,08 | 0,08 |
| Minimum flow rate | l/s | 8,6 | 10,0 | 10,8 | 12,2 | 14,1 | 16,5 | 18,7 |
| Nominal flow rate | l/s | 13,8 | 16,1 | 17,3 | 19,4 | 22,6 | 26,4 | 29,9 |
| Maximum flow rate | l/s | 23,0 | 26,8 | 28,8 | 32,4 | 37,7 | 44,0 | 49,8 |
| Minimum pressure drop | kPa | 15,8 | 21,4 | 17,9 | 22,6 | 16,2 | 22,1 | 28,2 |
| Nominal pressure drop | kPa | 40,5 | 54,7 | 45,8 | 57,9 | 41,4 | 56,6 | 72,1 |
| Maximum pressure drop | kPa | 112,4 | 152,0 | 127,2 | 160,8 | 115,0 | 157,2 | 200,4 |

$$\Delta P = K \cdot Q^2$$

| PRESSURE DROP IN THE DESUPERHEATER* | | | | | | | | |
|-------------------------------------|------------------------------|------------------|------------------|------------------|------------------|------------------|------------------|------------------|
| | | AQTL/H/R 1206 | AQTL/H/R 1355 | AQTL/H/R 1506 | AQTL/H/R 1656 | AQTL/H/R 1806 | AQTL/H/R 2106 | AQTL/H/R 2406 |
| K | kPa/(l/s)² | 14,63 | 10,01 | 10,01 | 6,49 | 6,49 | 4,15 | 4,15 |
| Minimum flow rate | l/s | 1,1 | 1,3 | 1,4 | 1,6 | 1,8 | 2,1 | 2,3 |
| Nominal flow rate | l/s | 1,8 | 2,0 | 2,2 | 2,5 | 2,9 | 3,3 | 3,7 |
| Maximum flow rate | l/s | 2,9 | 3,3 | 3,7 | 4,1 | 4,8 | 5,6 | 6,2 |
| Minimum pressure drop | kPa | 17,9 | 15,7 | 18,9 | 15,7 | 20,8 | 18,1 | 22,5 |
| Nominal pressure drop | kPa | 45,7 | 40,3 | 48,3 | 40,1 | 53,3 | 46,4 | 57,6 |
| Maximum pressure drop | kPa | 127,0 | 111,9 | 134,2 | 111,3 | 148,2 | 128,9 | 160,0 |

$$\Delta P = K \cdot Q^2$$

| PRESSURE DROP IN THE RECOVERY CONDENSER* | | | | | | | | |
|--|------------------------------|--------------|--------------|--------------|--------------|--------------|--------------|--------------|
| | | AQTR 1206 | AQTR 1355 | AQTR 1506 | AQTR 1656 | AQTR 1806 | AQTR 2106 | AQTR 2406 |
| K | kPa/(l/s)² | 0,21 | 0,21 | 0,15 | 0,15 | 0,08 | 0,08 | 0,08 |
| Minimum flow rate | l/s | 8,5 | 9,9 | 10,7 | 12,0 | 14,0 | 16,4 | 18,5 |
| Nominal flow rate | l/s | 13,7 | 15,9 | 17,1 | 19,3 | 22,4 | 26,2 | 29,6 |
| Maximum flow rate | l/s | 22,8 | 26,5 | 28,5 | 32,1 | 37,3 | 43,6 | 49,4 |
| Minimum pressure drop | kPa | 15,5 | 21,0 | 17,5 | 22,2 | 15,8 | 21,7 | 27,6 |
| Nominal pressure drop | kPa | 39,6 | 53,7 | 44,8 | 56,7 | 40,5 | 55,6 | 70,8 |
| Maximum pressure drop | kPa | 110,1 | 149,3 | 124,4 | 157,6 | 112,6 | 154,3 | 196,6 |

$$\Delta P = K \cdot Q^2$$

* data refer to BLN version

8.2 Technical data

| AQTL BLN | | 1206 | 1355 | 1506 | 1656 | 1806 | 2106 | 2406 |
|--------------------------------|---------|----------------------------|---------------------|----------------------------|----------------------------|----------------------------|----------------------------|----------------------------|
| Power supply | V/ph/Hz | 400 (± 10%) / 3 / 50 | | | | | | |
| Number of refrigerant circuits | | 2 | 2 | 2 | 2 | 2 | 2 | 2 |
| Total capacity steps | % | 17-33-50- 67-83- 100 | 19-37-56- 78-100 | 17-33-50- 67-83- 100 | 15-30-45- 64-82- 100 | 17-33-50- 67-83- 100 | 15-30-45- 64-82- 100 | 17-33-50- 67-83- 100 |

Refrigerant

| | | | | | | | | |
|------------|----|-------|-------|-------|-------|-------|-------|-------|
| Type | | R410A | | | | | | |
| Charge (1) | kg | 35+35 | 35+37 | 37+37 | 37+47 | 47+47 | 54+69 | 69+69 |

Compressor

| | | | | | | | | |
|----------------------|--|--------|-------|-------|-------|-------|-------|-------|
| Type | | Scroll | | | | | | |
| Number | | 6 | 5 | 6 | 6 | 6 | 6 | 6 |
| Start-up type | | Direct | | | | | | |
| N° of loading stages | | 0/100 | 0/100 | 0/100 | 0/100 | 0/100 | 0/100 | 0/100 |

Evaporator

| | | | | | | | | |
|-----------------|-----|-------|------|------|------|------|------|------|
| Type | | Plate | | | | | | |
| Number | | 1 | 1 | 1 | 1 | 1 | 1 | 1 |
| Water flow rate | l/s | 13,8 | 16,1 | 17,3 | 19,4 | 22,6 | 26,4 | 29,9 |
| Pressure drop | kPa | 40,5 | 54,7 | 45,8 | 57,9 | 41,4 | 56,6 | 72,1 |
| Water volume | l | 25 | 25 | 28 | 28 | 38 | 38 | 40 |

Hydraulic connections

| | | | | | | | | |
|-----------------|------|-------------------|----|----|----|----|----|----|
| Type | | Threaded gas male | | | | | | |
| Inlet diameter | inch | 4" | 4" | 4" | 4" | 4" | 4" | 4" |
| Outlet diameter | inch | 4" | 4" | 4" | 4" | 4" | 4" | 4" |

Air cooled condenser

| | | | | | | | | |
|------|--|--|--|--|--|--|--|--|
| Type | | Al/Cu (standard version), Copper fins, Blue fins, Fin guard silver treatment | | | | | | |
|------|--|--|--|--|--|--|--|--|

Weight

| | | | | | | | | |
|------------------|----|------|------|------|------|------|------|------|
| Shipping weight | kg | 3157 | 3201 | 3388 | 3567 | 3784 | 4503 | 4676 |
| Operating weight | kg | 3182 | 3226 | 3416 | 3595 | 3822 | 4541 | 4714 |

Additional weight

| | | | | | | | | |
|-----------------------------|----|------|------|------|------|------|------|------|
| HSE*/HPF** versions | kg | 0 | 0 | 0 | 0 | 0 | 0 | 0 |
| Desuperheater versions | kg | 0 | 0 | 0 | 0 | 0 | 0 | 0 |
| With pump/s | kg | 420 | 420 | 420 | 420 | 420 | 468 | 468 |
| With pump/s and tank 750 lt | kg | 1200 | 1200 | 1200 | 1200 | 1200 | 1580 | 1580 |
| Copper Fins | kg | 489 | 489 | 489 | 581 | 674 | 897 | 1034 |

Dimensions

| | | | | | | | | |
|--------|----|------|------|------|------|------|------|------|
| Length | mm | 4000 | 4000 | 4000 | 4000 | 4000 | 6000 | 6000 |
| Width | mm | 2200 | 2200 | 2200 | 2200 | 2200 | 2200 | 2200 |
| Height | mm | 2550 | 2550 | 2550 | 2550 | 2550 | 2550 | 2550 |

(1) Indicative value. Always refer to the value specified on the unit's label

(*) HSE Units with high efficiency brushless fans

(**) HPF Units with high static pressure fans

Technical data

| AQTL LN | | 1206 | 1355 | 1506 | 1656 | 1806 | 2106 | 2406 |
|--------------------------------|---------|----------------------------|---------------------|----------------------------|----------------------------|----------------------------|----------------------------|----------------------------|
| Power supply | V/ph/Hz | 400 (± 10%) / 3 / 50 | | | | | | |
| Number of refrigerant circuits | | 2 | 2 | 2 | 2 | 2 | 2 | 2 |
| Total capacity steps | % | 17-33-50- 67-83- 100 | 19-37-56- 78-100 | 17-33-50- 67-83- 100 | 15-30-45- 64-82- 100 | 17-33-50- 67-83- 100 | 15-30-45- 64-82- 100 | 17-33-50- 67-83- 100 |

Refrigerant

| | | | | | | | | |
|------------|----|-------|-------|-------|-------|-------|-------|-------|
| Type | | R410A | | | | | | |
| Charge (1) | kg | 35+35 | 35+37 | 37+37 | 37+47 | 54+54 | 54+69 | 69+69 |

Compressor

| | | | | | | | | |
|----------------------|--|--------|-------|-------|-------|-------|-------|-------|
| Type | | Scroll | | | | | | |
| Number | | 6 | 5 | 6 | 6 | 6 | 6 | 6 |
| Start-up type | | Direct | | | | | | |
| N° of loading stages | | 0/100 | 0/100 | 0/100 | 0/100 | 0/100 | 0/100 | 0/100 |

Evaporator

| | | | | | | | | |
|-----------------|-----|-------|------|------|------|------|------|------|
| Type | | Plate | | | | | | |
| Number | | 1 | 1 | 1 | 1 | 1 | 1 | 1 |
| Water flow rate | l/s | 13,3 | 15,5 | 16,7 | 18,8 | 21,8 | 25,5 | 28,8 |
| Pressure drop | kPa | 37,7 | 50,9 | 42,6 | 54,0 | 38,5 | 52,6 | 66,9 |
| Water volume | l | 25 | 25 | 28 | 28 | 38 | 38 | 40 |

Hydraulic connections

| | | | | | | | | |
|-----------------|------|-------------------|----|----|----|----|----|----|
| Type | | Threaded gas male | | | | | | |
| Inlet diameter | inch | 4" | 4" | 4" | 4" | 4" | 4" | 4" |
| Outlet diameter | inch | 4" | 4" | 4" | 4" | 4" | 4" | 4" |

Air cooled condenser

| | | | | | | | | |
|------|--|--|--|--|--|--|--|--|
| Type | | Al/Cu (standard version), Copper fins, Blue fins, Fin guard silver treatment | | | | | | |
|------|--|--|--|--|--|--|--|--|

Weight

| | | | | | | | | |
|------------------|----|------|------|------|------|------|------|------|
| Shipping weight | kg | 3157 | 3201 | 3388 | 3567 | 4271 | 4503 | 4676 |
| Operating weight | kg | 3182 | 3226 | 3416 | 3595 | 4309 | 4541 | 4714 |

Additional weight

| | | | | | | | | |
|-----------------------------|----|------|------|------|------|------|------|------|
| HSE* versions | kg | 0 | 0 | 0 | 0 | 0 | 0 | 0 |
| Desuperheater versions | kg | 0 | 0 | 0 | 0 | 0 | 0 | 0 |
| With pump/s | kg | 420 | 420 | 420 | 420 | 420 | 468 | 468 |
| With pump/s and tank 750 lt | kg | 1200 | 1200 | 1200 | 1200 | 1200 | 1580 | 1580 |
| Copper Fins | kg | 489 | 489 | 489 | 581 | 760 | 897 | 1034 |

Dimensions

| | | | | | | | | |
|--------|----|------|------|------|------|------|------|------|
| Length | mm | 4000 | 4000 | 4000 | 4000 | 6000 | 6000 | 6000 |
| Width | mm | 2200 | 2200 | 2200 | 2200 | 2200 | 2200 | 2200 |
| Height | mm | 2550 | 2550 | 2550 | 2550 | 2550 | 2550 | 2550 |

(1) Indicative value. Always refer to the value specified on the unit's label

(*) HSE Units with high efficiency brushless fans

Technical data

| AQTL ELN | | 1206 | 1355 | 1506 | 1656 | 1806 | 2106 | 2406 |
|--------------------------------|---------|----------------------------|---------------------|----------------------------|----------------------------|----------------------------|----------------------------|----------------------------|
| Power supply | V/ph/Hz | 400 (± 10%) / 3 / 50 | | | | | | |
| Number of refrigerant circuits | | 2 | 2 | 2 | 2 | 2 | 2 | 2 |
| Total capacity steps | % | 17-33-50- 67-83- 100 | 19-37-56- 78-100 | 17-33-50- 67-83- 100 | 15-30-45- 64-82- 100 | 17-33-50- 67-83- 100 | 15-30-45- 64-82- 100 | 17-33-50- 67-83- 100 |

Refrigerant

| | | | | | | | | |
|------------|----|-------|-------|-------|-------|-------|-------|-------|
| Type | | R410A | | | | | | |
| Charge (1) | kg | 35+35 | 35+37 | 37+37 | 37+47 | 54+54 | 54+69 | 69+69 |

Compressor

| | | | | | | | | |
|----------------------|--|--------|-------|-------|-------|-------|-------|-------|
| Type | | Scroll | | | | | | |
| Number | | 6 | 5 | 6 | 6 | 6 | 6 | 6 |
| Start-up type | | Direct | | | | | | |
| N° of loading stages | | 0/100 | 0/100 | 0/100 | 0/100 | 0/100 | 0/100 | 0/100 |

Evaporator

| | | | | | | | | |
|-----------------|-----|-------|------|------|------|------|------|------|
| Type | | Plate | | | | | | |
| Number | | 1 | 1 | 1 | 1 | 1 | 1 | 1 |
| Water flow rate | l/s | 12,9 | 14,9 | 16,1 | 18,1 | 21,0 | 24,3 | 27,4 |
| Pressure drop | kPa | 35,1 | 47,3 | 39,7 | 50,2 | 35,8 | 47,9 | 60,4 |
| Water volume | l | 25 | 25 | 28 | 28 | 38 | 38 | 40,4 |

Hydraulic connections

| | | | | | | | | |
|-----------------|------|-------------------|----|----|----|----|----|----|
| Type | | Threaded gas male | | | | | | |
| Inlet diameter | inch | 4" | 4" | 4" | 4" | 4" | 4" | 4" |
| Outlet diameter | inch | 4" | 4" | 4" | 4" | 4" | 4" | 4" |

Air cooled condenser

| | | | | | | | | |
|------|--|--|--|--|--|--|--|--|
| Type | | Al/Cu (standard version), Copper fins, Blue fins, Fin guard silver treatment | | | | | | |
|------|--|--|--|--|--|--|--|--|

Weight

| | | | | | | | | |
|------------------|----|------|------|------|------|------|------|------|
| Shipping weight | kg | 3157 | 3201 | 3388 | 3567 | 4271 | 4503 | 4676 |
| Operating weight | kg | 3182 | 3226 | 3416 | 3595 | 4309 | 4541 | 4714 |

Additional weight

| | | | | | | | | |
|-----------------------------|----|------|------|------|------|------|------|------|
| HSE* versions | kg | 0 | 0 | 0 | 0 | 0 | 0 | 0 |
| Desuperheater versions | kg | 0 | 0 | 0 | 0 | 0 | 0 | 0 |
| With pump/s | kg | 420 | 420 | 420 | 420 | 420 | 468 | 468 |
| With pump/s and tank 750 lt | kg | 1200 | 1200 | 1200 | 1200 | 1200 | 1580 | 1580 |
| Copper Fins | kg | 489 | 489 | 489 | 581 | 760 | 897 | 1034 |

Dimensions

| | | | | | | | | |
|--------|----|------|------|------|------|------|------|------|
| Length | mm | 4000 | 4000 | 4000 | 4000 | 6000 | 6000 | 6000 |
| Width | mm | 2200 | 2200 | 2200 | 2200 | 2200 | 2200 | 2200 |
| Height | mm | 2550 | 2550 | 2550 | 2550 | 2550 | 2550 | 2550 |

(1) Indicative value. Always refer to the value specified on the unit's label

(*) HSE Units with high efficiency brushless fans

| AQTL HT | | 1206 | 1355 | 1506 | 1656 | 1806 | 2106 | 2406 |
|--------------------------------|---------|----------------------|-----------------|--------------------|--------------------|--------------------|--------------------|--------------------|
| Power supply | V/ph/Hz | 400 (± 10%) / 3 / 50 | | | | | | |
| Number of refrigerant circuits | | 2 | 2 | 2 | 2 | 2 | 2 | 2 |
| Total capacity steps | % | 17-33-50-67-83-100 | 19-37-56-78-100 | 17-33-50-67-83-100 | 15-30-45-64-82-100 | 17-33-50-67-83-100 | 15-30-45-64-82-100 | 17-33-50-67-83-100 |

Refrigerant

| | | | | | | | | |
|------------|----|-------|-------|-------|-------|-------|-------|-------|
| Type | | R410A | | | | | | |
| Charge (1) | kg | 35+35 | 35+37 | 37+37 | 37+47 | 47+47 | 54+69 | 69+69 |

Compressor

| | | | | | | | | |
|----------------------|--|--------|-------|-------|-------|-------|-------|-------|
| Type | | Scroll | | | | | | |
| Number | | 6 | 5 | 6 | 6 | 6 | 6 | 6 |
| Start-up type | | Direct | | | | | | |
| N° of loading stages | | 0/100 | 0/100 | 0/100 | 0/100 | 0/100 | 0/100 | 0/100 |

Evaporator

| | | | | | | | | |
|-----------------|-----|-------|------|------|------|------|------|------|
| Type | | Plate | | | | | | |
| Number | | 1 | 1 | 1 | 1 | 1 | 1 | 1 |
| Water flow rate | l/s | 14,0 | 16,2 | 17,5 | 19,6 | 22,8 | 26,6 | 30,1 |
| Pressure drop | kPa | 41,3 | 55,7 | 46,8 | 59,0 | 42,3 | 57,4 | 73,3 |
| Water volume | l | 25 | 25 | 28 | 28 | 38 | 38 | 40,4 |

Hydraulic connections

| | | | | | | | | |
|-----------------|------|-------------------|----|----|----|----|----|----|
| Type | | Threaded gas male | | | | | | |
| Inlet diameter | inch | 4" | 4" | 4" | 4" | 4" | 4" | 4" |
| Outlet diameter | inch | 4" | 4" | 4" | 4" | 4" | 4" | 4" |

Air cooled condenser

| | | | | | | | | |
|------|--|--|--|--|--|--|--|--|
| Type | | Al/Cu (standard version), Copper fins, Blue fins, Fin guard silver treatment | | | | | | |
|------|--|--|--|--|--|--|--|--|

Weight

| | | | | | | | | |
|------------------|----|------|------|------|------|------|------|------|
| Shipping weight | kg | 3157 | 3201 | 3388 | 3567 | 3784 | 4503 | 4676 |
| Operating weight | kg | 3182 | 3226 | 3416 | 3595 | 3822 | 4541 | 4714 |

Additional weight

| | | | | | | | | |
|-----------------------------|----|------|------|------|------|------|------|------|
| Desuperheater versions | kg | 0 | 0 | 0 | 0 | 0 | 0 | 0 |
| With pump/s | kg | 420 | 420 | 420 | 420 | 420 | 468 | 468 |
| With pump/s and tank 750 lt | kg | 1200 | 1200 | 1200 | 1200 | 1200 | 1580 | 1580 |
| Copper Fins | kg | 489 | 489 | 489 | 581 | 674 | 897 | 1034 |

Dimensions

| | | | | | | | | |
|--------|----|------|------|------|------|------|------|------|
| Length | mm | 4000 | 4000 | 4000 | 4000 | 4000 | 6000 | 6000 |
| Width | mm | 2200 | 2200 | 2200 | 2200 | 2200 | 2200 | 2200 |
| Height | mm | 2550 | 2550 | 2550 | 2550 | 2550 | 2550 | 2550 |

(1) Indicative value. Always refer to the value specified on the unit's label

Technical data

| AQTH BLN | | 1206 | 1355 | 1506 | 1656 | 1806 | 2106 | 2406 |
|--------------------------------|---------|-----------------------------|---------------------|----------------------------|----------------------------|----------------------------|----------------------------|----------------------------|
| Power supply | V/ph/Hz | 400 ($\pm 10\%$) / 3 / 50 | | | | | | |
| Number of refrigerant circuits | | 2 | 2 | 2 | 2 | 2 | 2 | 2 |
| Total capacity steps | % | 17-33-50- 67-83- 100 | 19-37-56- 78-100 | 17-33-50- 67-83- 100 | 15-30-45- 64-82- 100 | 17-33- 50-67-83- 100 | 15-30-45- 64-82- 100 | 17-33-50- 67-83- 100 |

Refrigerant

| | | | | | | | | |
|------------|----|-------|-------|-------|-------|-------|-------|-------|
| Type | | R410A | | | | | | |
| Charge (1) | kg | 37+37 | 37+39 | 39+39 | 40+49 | 49+49 | 56+71 | 71+71 |

Compressor

| | | | | | | | | |
|----------------------|--|--------|-------|-------|-------|-------|-------|-------|
| Type | | Scroll | | | | | | |
| Number | | 6 | 5 | 6 | 6 | 6 | 6 | 6 |
| Start-up type | | Direct | | | | | | |
| N° of loading stages | | 0/100 | 0/100 | 0/100 | 0/100 | 0/100 | 0/100 | 0/100 |

Evaporator

| | | | | | | | | |
|-----------------|-----|-------|------|------|------|------|------|------|
| Type | | Plate | | | | | | |
| Number | | 1 | 1 | 1 | 1 | 1 | 1 | 1 |
| Water flow rate | l/s | 13,6 | 15,6 | 16,8 | 18,9 | 21,8 | 24,4 | 27,6 |
| Pressure drop | kPa | 39,1 | 51,5 | 43,3 | 54,8 | 38,6 | 48,3 | 61,5 |
| Water volume | l | 25 | 25 | 28 | 28 | 38 | 38 | 40,4 |

Hydraulic connections

| | | | | | | | | |
|-----------------|------|-------------------|----|----|----|----|----|----|
| Type | | Threaded gas male | | | | | | |
| Inlet diameter | inch | 4" | 4" | 4" | 4" | 4" | 4" | 4" |
| Outlet diameter | inch | 4" | 4" | 4" | 4" | 4" | 4" | 4" |

Air cooled condenser

| | | | | | | | | |
|------|--|--|--|--|--|--|--|--|
| Type | | Al/Cu (standard version), Copper fins, Blue fins, Fin guard silver treatment | | | | | | |
|------|--|--|--|--|--|--|--|--|

Weight

| | | | | | | | | |
|------------------|----|------|------|------|------|------|------|------|
| Shipping weight | kg | 3319 | 3384 | 3592 | 3772 | 4005 | 4658 | 4836 |
| Operating weight | kg | 3344 | 3409 | 3620 | 3800 | 4043 | 4696 | 4874 |

Additional weight

| | | | | | | | | |
|-----------------------------|----|------|------|------|------|------|------|------|
| HSE*/HPF** versions | kg | 0 | 0 | 0 | 0 | 0 | 0 | 0 |
| Desuperheater versions | kg | 0 | 0 | 0 | 0 | 0 | 0 | 0 |
| With pump/s | kg | 420 | 420 | 420 | 420 | 420 | 468 | 468 |
| With pump/s and tank 750 lt | kg | 1200 | 1200 | 1200 | 1200 | 1200 | 1580 | 1580 |
| Copper Fins | kg | 489 | 489 | 489 | 581 | 674 | 840 | 920 |

Dimensions

| | | | | | | | | |
|--------|----|------|------|------|------|------|------|------|
| Length | mm | 4000 | 4000 | 4000 | 4000 | 4000 | 6000 | 6000 |
| Width | mm | 2200 | 2200 | 2200 | 2200 | 2200 | 2200 | 2200 |
| Height | mm | 2550 | 2550 | 2550 | 2550 | 2550 | 2550 | 2550 |

(1) Indicative value. Always refer to the value specified on the unit's label

(*) HSE Units with high efficiency brushless fans

(**) HPF Units with high static pressure fans

Technical data

| AQTH LN | | 1206 | 1355 | 1506 | 1656 | 1806 | 2106 | 2406 |
|--------------------------------|---------|----------------------|-----------------|--------------------|--------------------|--------------------|--------------------|--------------------|
| Power supply | V/ph/Hz | 400 (± 10%) / 3 / 50 | | | | | | |
| Number of refrigerant circuits | | 2 | 2 | 2 | 2 | 2 | 2 | 2 |
| Total capacity steps | % | 17-33-50-67-83-100 | 19-37-56-78-100 | 17-33-50-67-83-100 | 15-30-45-64-82-100 | 17-33-50-67-83-100 | 15-30-45-64-82-100 | 17-33-50-67-83-100 |

Refrigerant

| | | | | | | | | |
|------------|----|-------|-------|-------|-------|-------|-------|-------|
| Type | | R410A | | | | | | |
| Charge (1) | kg | 37+37 | 37+39 | 39+39 | 40+49 | 56+56 | 56+71 | 71+71 |

Compressor

| | | | | | | | | |
|----------------------|--|--------|-------|-------|-------|-------|-------|-------|
| Type | | Scroll | | | | | | |
| Number | | 6 | 5 | 6 | 6 | 6 | 6 | 6 |
| Start-up type | | Direct | | | | | | |
| N° of loading stages | | 0/100 | 0/100 | 0/100 | 0/100 | 0/100 | 0/100 | 0/100 |

Evaporator

| | | | | | | | | |
|-----------------|-----|-------|------|------|------|------|------|------|
| Type | | Plate | | | | | | |
| Number | | 1 | 1 | 1 | 1 | 1 | 1 | 1 |
| Water flow rate | l/s | 13,1 | 15,1 | 16,2 | 18,3 | 21,1 | 22,7 | 25,6 |
| Pressure drop | kPa | 36,4 | 48,1 | 40,4 | 51,0 | 36,0 | 41,7 | 52,7 |
| Water volume | l | 25 | 25 | 28 | 28 | 38 | 38 | 40,4 |

Hydraulic connections

| | | | | | | | | |
|-----------------|------|-------------------|----|----|----|----|----|----|
| Type | | Threaded gas male | | | | | | |
| Inlet diameter | inch | 4" | 4" | 4" | 4" | 4" | 4" | 4" |
| Outlet diameter | inch | 4" | 4" | 4" | 4" | 4" | 4" | 4" |

Air cooled condenser

| | | | | | | | | |
|------|--|--|--|--|--|--|--|--|
| Type | | Al/Cu (standard version), Copper fins, Blue fins, Fin guard silver treatment | | | | | | |
|------|--|--|--|--|--|--|--|--|

Weight

| | | | | | | | | |
|------------------|----|------|------|------|------|------|------|------|
| Shipping weight | kg | 3319 | 3384 | 3592 | 3772 | 4504 | 4658 | 4836 |
| Operating weight | kg | 3344 | 3409 | 3620 | 3800 | 4542 | 4696 | 4874 |

Additional weight

| | | | | | | | | |
|-----------------------------|----|------|------|------|------|------|------|------|
| HSE* versions | kg | 0 | 0 | 0 | 0 | 0 | 0 | 0 |
| Desuperheater versions | kg | 0 | 0 | 0 | 0 | 0 | 0 | 0 |
| With pump/s | kg | 420 | 420 | 420 | 420 | 420 | 468 | 468 |
| With pump/s and tank 750 lt | kg | 1200 | 1200 | 1200 | 1200 | 1200 | 1580 | 1580 |
| Copper Fins | kg | 489 | 489 | 489 | 581 | 760 | 840 | 920 |

Dimensions

| | | | | | | | | |
|--------|----|------|------|------|------|------|------|------|
| Length | mm | 4000 | 4000 | 4000 | 4000 | 6000 | 6000 | 6000 |
| Width | mm | 2200 | 2200 | 2200 | 2200 | 2200 | 2200 | 2200 |
| Height | mm | 2550 | 2550 | 2550 | 2550 | 2550 | 2550 | 2550 |

(1) Indicative value. Always refer to the value specified on the unit's label

(*) HSE Units with high efficiency brushless fans

Technical data

| AQTH ELN | | 1206 | 1355 | 1506 | 1656 | 1806 | 2106 | 2406 |
|--------------------------------|---------|-----------------------------|---------------------|----------------------------|----------------------------|----------------------------|----------------------------|----------------------------|
| Power supply | V/ph/Hz | 400 ($\pm 10\%$) / 3 / 50 | | | | | | |
| Number of refrigerant circuits | | 2 | 2 | 2 | 2 | 2 | 2 | 2 |
| Total capacity steps | % | 17-33-50- 67-83- 100 | 19-37-56- 78-100 | 17-33-50- 67-83- 100 | 15-30-45- 64-82- 100 | 17-33-50- 67-83- 100 | 15-30-45- 64-82- 100 | 17-33-50- 67-83- 100 |

Refrigerant

| | | | | | | | | |
|------------|----|-------|-------|-------|-------|-------|-------|-------|
| Type | | R410A | | | | | | |
| Charge (1) | kg | 37+37 | 37+39 | 39+39 | 40+49 | 56+56 | 56+71 | 71+71 |

Compressor

| | | | | | | | | |
|----------------------|--|--------|-------|-------|-------|-------|-------|-------|
| Type | | Scroll | | | | | | |
| Number | | 6 | 5 | 6 | 6 | 6 | 6 | 6 |
| Start-up type | | Direct | | | | | | |
| N° of loading stages | | 0/100 | 0/100 | 0/100 | 0/100 | 0/100 | 0/100 | 0/100 |

Evaporator

| | | | | | | | | |
|-----------------|-----|-------|------|------|------|------|------|------|
| Type | | Plate | | | | | | |
| Number | | 1 | 1 | 1 | 1 | 1 | 1 | 1 |
| Water flow rate | l/s | 12,6 | 14,5 | 15,6 | 17,6 | 20,3 | 22,2 | 24,6 |
| Pressure drop | kPa | 33,8 | 44,5 | 37,4 | 47,3 | 33,4 | 40,0 | 48,8 |
| Water volume | l | 25 | 25 | 28 | 28 | 38 | 38 | 40,4 |

Hydraulic connections

| | | | | | | | | |
|-----------------|------|-------------------|----|----|----|----|----|----|
| Type | | Threaded gas male | | | | | | |
| Inlet diameter | inch | 4" | 4" | 4" | 4" | 4" | 4" | 4" |
| Outlet diameter | inch | 4" | 4" | 4" | 4" | 4" | 4" | 4" |

Air cooled condenser

| | | | | | | | | |
|------|--|--|--|--|--|--|--|--|
| Type | | Al/Cu (standard version), Copper fins, Blue fins, Fin guard silver treatment | | | | | | |
|------|--|--|--|--|--|--|--|--|

Weight

| | | | | | | | | |
|------------------|----|------|------|------|------|------|------|------|
| Shipping weight | kg | 3319 | 3384 | 3592 | 3772 | 4504 | 4658 | 4836 |
| Operating weight | kg | 3344 | 3409 | 3620 | 3800 | 4542 | 4696 | 4874 |

Additional weight

| | | | | | | | | |
|-----------------------------|----|------|------|------|------|------|------|------|
| HSE* versions | kg | 0 | 0 | 0 | 0 | 0 | 0 | 0 |
| Desuperheater versions | kg | 0 | 0 | 0 | 0 | 0 | 0 | 0 |
| With pump/s | kg | 420 | 420 | 420 | 420 | 420 | 468 | 468 |
| With pump/s and tank 750 lt | kg | 1200 | 1200 | 1200 | 1200 | 1200 | 1580 | 1580 |
| Copper Fins | kg | 489 | 489 | 489 | 581 | 760 | 840 | 920 |

Dimensions

| | | | | | | | | |
|--------|----|------|------|------|------|------|------|------|
| Length | mm | 4000 | 4000 | 4000 | 4000 | 6000 | 6000 | 6000 |
| Width | mm | 2200 | 2200 | 2200 | 2200 | 2200 | 2200 | 2200 |
| Height | mm | 2550 | 2550 | 2550 | 2550 | 2550 | 2550 | 2550 |

(1) Indicative value. Always refer to the value specified on the unit's label

(*) HSE Units with high efficiency brushless fans

Technical data

| AQTH HT | | 1206 | 1355 | 1506 | 1656 | 1806 | 2106 | 2406 |
|--------------------------------|---------|----------------------------|---------------------|----------------------------|----------------------------|----------------------------|----------------------------|----------------------------|
| Power supply | V/ph/Hz | 400 (± 10%) / 3 / 50 | | | | | | |
| Number of refrigerant circuits | | 2 | 2 | 2 | 2 | 2 | 2 | 2 |
| Total capacity steps | % | 17-33-50- 67-83- 100 | 19-37-56- 78-100 | 17-33-50- 67-83- 100 | 15-30-45- 64-82- 100 | 17-33-50- 67-83- 100 | 15-30-45- 64-82- 100 | 17-33-50- 67-83- 100 |

Refrigerant

| | | | | | | | | |
|------------|----|-------|-------|-------|-------|-------|-------|-------|
| Type | | R410A | | | | | | |
| Charge (1) | kg | 37+37 | 37+39 | 39+39 | 40+49 | 49+49 | 56+71 | 71+71 |

Compressor

| | | | | | | | | |
|----------------------|--|--------|-------|-------|-------|-------|-------|-------|
| Type | | Scroll | | | | | | |
| Number | | 6 | 5 | 6 | 6 | 6 | 6 | 6 |
| Start-up type | | Direct | | | | | | |
| N° of loading stages | | 0/100 | 0/100 | 0/100 | 0/100 | 0/100 | 0/100 | 0/100 |

Evaporator

| | | | | | | | | |
|-----------------|-----|-------|------|------|------|------|------|------|
| Type | | Plate | | | | | | |
| Number | | 1 | 1 | 1 | 1 | 1 | 1 | 1 |
| Water flow rate | l/s | 13,7 | 15,6 | 17,0 | 19,1 | 22,1 | 25,9 | 29,3 |
| Pressure drop | kPa | 39,9 | 51,5 | 44,3 | 55,9 | 39,5 | 54,4 | 69,4 |
| Water volume | l | 25 | 25 | 28 | 28 | 38 | 38 | 40,4 |

Hydraulic connections

| | | | | | | | | |
|-----------------|------|-------------------|----|----|----|----|----|----|
| Type | | Threaded gas male | | | | | | |
| Inlet diameter | inch | 4" | 4" | 4" | 4" | 4" | 4" | 4" |
| Outlet diameter | inch | 4" | 4" | 4" | 4" | 4" | 4" | 4" |

Air cooled condenser

| | | | | | | | | |
|------|--|--|--|--|--|--|--|--|
| Type | | Al/Cu (standard version), Copper fins, Blue fins, Fin guard silver treatment | | | | | | |
|------|--|--|--|--|--|--|--|--|

Weight

| | | | | | | | | |
|------------------|----|------|------|------|------|------|------|------|
| Shipping weight | kg | 3319 | 3384 | 3592 | 3772 | 4005 | 4658 | 4836 |
| Operating weight | kg | 3344 | 3409 | 3620 | 3800 | 4043 | 4696 | 4874 |

Additional weight

| | | | | | | | | |
|-----------------------------|----|------|------|------|------|------|------|------|
| Desuperheater versions | kg | 0 | 0 | 0 | 0 | 0 | 0 | 0 |
| With pump/s | kg | 420 | 420 | 420 | 420 | 420 | 468 | 468 |
| With pump/s and tank 750 lt | kg | 1200 | 1200 | 1200 | 1200 | 1200 | 1580 | 1580 |
| Copper Fins | kg | 489 | 489 | 489 | 581 | 674 | 840 | 920 |

Dimensions

| | | | | | | | | |
|--------|----|------|------|------|------|------|------|------|
| Length | mm | 4000 | 4000 | 4000 | 4000 | 4000 | 6000 | 6000 |
| Width | mm | 2200 | 2200 | 2200 | 2200 | 2200 | 2200 | 2200 |
| Height | mm | 2550 | 2550 | 2550 | 2550 | 2550 | 2550 | 2550 |

(1) Indicative value. Always refer to the value specified on the unit's label

Technical data

| AQTC BLN/LN/ELN/HT | | 1206 | 1355 | 1506 | 1656 | 1806 | 2106 | 2406 |
|--------------------------------|---------|-----------------------------|-----------------|--------------------|--------------------|--------------------|--------------------|--------------------|
| Power supply | V/ph/Hz | 400 ($\pm 10\%$) / 3 / 50 | | | | | | |
| Number of refrigerant circuits | | 2 | 2 | 2 | 2 | 2 | 2 | 2 |
| Total capacity steps | % | 17-33-50-67-83-100 | 19-37-56-78-100 | 17-33-50-67-83-100 | 15-30-45-64-82-100 | 17-33-50-67-83-100 | 15-30-45-64-82-100 | 17-33-50-67-83-100 |

Refrigerant

| | | |
|------|--|-------|
| Type | | R410A |
|------|--|-------|

Compressor

| | | | | | | | | |
|----------------------|--|--------|-------|-------|-------|----------------------------------|-------|-------|
| Type | | Scroll | | | | | | |
| Number | | 6 | 5 | 6 | 6 | 6 | 6 | 6 |
| Start-up type | | Direct | | | | | | |
| N° of loading stages | | 0/100 | 0/100 | 0/101 | 0/102 | 0/103 (BLN/HT) 0/104 (LN/ELN) | 0/100 | 0/100 |

Air cooled condenser

| | | |
|------|--|--|
| Type | | Al/Cu (standard version), Copper fins, Blue fins, Fin guard silver treatment |
|------|--|--|

Refrigerant connections

| | | | | | | | | |
|-----------------|------|--------|--------|--------|-----------------|--------|--------|--------|
| Inlet diameter | inch | 1 1/8" | 1 1/8" | 1 1/8" | 1 3/8" | 1 3/8" | 1 1/8" | 1 1/8" |
| Outlet diameter | inch | 2 1/8" | 2 1/8" | 2 1/8" | 2 1/8" - 2 5/8" | 2 5/8" | 2 1/8" | 2 1/8" |

Weight

| | | | | | | | | |
|-----------------|----|------|------|------|------|---------------|------|------|
| Shipping weight | kg | 2974 | 3012 | 3182 | 3350 | 3515 | 4187 | 4360 |
| | | | | | | 4014 (LN/ELN) | | |

Additional weight

| | | | | | | | | |
|---------------------|----|-----|-----|-----|-----|--------------|-----|------|
| HSE*/HPF** versions | kg | 0 | 0 | 0 | 0 | 0 | 0 | 0 |
| Copper Fins | kg | 489 | 489 | 489 | 581 | 674 (BLN/HT) | 897 | 1034 |
| | | | | | | 760 (LN/ELN) | | |

Dimensions

| | | | | | | | | |
|--------|----|------|------|------|------|---------------|------|------|
| Length | mm | 4000 | 4000 | 4000 | 4000 | 4000 (BLN/HT) | 6000 | 6000 |
| | | | | | | 6000 (LN/ELN) | | |
| Width | mm | 2200 | 2200 | 2200 | 2200 | 2200 | 2200 | 2200 |
| Height | mm | 2550 | 2550 | 2550 | 2550 | 2550 | 2550 | 2550 |

(*) HSE Units with high efficiency brushless fans

(**) HPF Units with high static pressure fans

Technical data

| AQTR BLN/LN/ELN/HT | | 1206 | 1355 | 1506 | 1656 | 1806 | 2106 | 2406 |
|--------------------------------|---------|----------------------|-----------------|--------------------|--------------------|--------------------|--------------------|--------------------|
| Power supply | V/ph/Hz | 400 (± 10%) / 3 / 50 | | | | | | |
| Number of refrigerant circuits | | 2 | 2 | 2 | 2 | 2 | 2 | 2 |
| Total capacity steps | % | 17-33-50-67-83-100 | 19-37-56-78-100 | 17-33-50-67-83-100 | 15-30-45-64-82-100 | 17-33-50-67-83-100 | 15-30-45-64-82-100 | 17-33-50-67-83-100 |

Refrigerant

| | |
|------|-------|
| Type | R410A |
|------|-------|

Compressor

| | | | | | | | | |
|----------------------|--------|-------|-------|-------|-------|-------|-------|-------|
| Type | Scroll | | | | | | | |
| Number | 6 | 5 | 6 | 6 | 6 | 6 | 6 | 6 |
| Start-up type | Direct | | | | | | | |
| N° of loading stages | 0/100 | 0/100 | 0/100 | 0/100 | 0/100 | 0/100 | 0/100 | 0/100 |

Evaporator

| | | | | | | | | |
|-----------------|-------|------|------|------|------|------|------|------|
| Type | Plate | | | | | | | |
| Number | 1 | 1 | 1 | 1 | 1 | 1 | 1 | 1 |
| Water flow rate | l/s | 13,7 | 15,9 | 17,1 | 19,3 | 22,4 | 26,2 | 29,6 |
| Pressure drop | kPa | 39,7 | 53,7 | 44,8 | 56,7 | 40,5 | 55,6 | 70,8 |
| Water volume | l | 25 | 25 | 28 | 28 | 38 | 38 | 40,4 |

Hydraulic connections

| | | | | | | | | |
|-----------------|-------------------|----|----|----|----|----|----|----|
| Type | Threaded gas male | | | | | | | |
| Inlet diameter | inch | 4" | 4" | 4" | 4" | 4" | 4" | 4" |
| Outlet diameter | inch | 4" | 4" | 4" | 4" | 4" | 4" | 4" |

Recovery condenser

| | | | | | | | | |
|-----------------|-------|------|------|------|------|------|------|------|
| Type | Plate | | | | | | | |
| Number | 1 | 1 | 1 | 1 | 1 | 1 | 1 | 1 |
| Water flow rate | l/s | 13,7 | 15,9 | 17,1 | 19,3 | 22,4 | 26,2 | 29,6 |
| Pressure drop | kPa | 39,6 | 53,7 | 44,8 | 56,7 | 40,5 | 55,6 | 70,8 |
| Water volume | l | 25 | 25 | 28 | 28 | 38 | 38 | 40,4 |

Hydraulic connections

| | | | | | | | | |
|-----------------|-------------------|----|----|----|----|----|----|----|
| Type | Threaded gas male | | | | | | | |
| Inlet diameter | inch | 4" | 4" | 4" | 4" | 4" | 4" | 4" |
| Outlet diameter | inch | 4" | 4" | 4" | 4" | 4" | 4" | 4" |

Air cooled condenser

| | | | | | | | | |
|------|--|--|--|--|--|--|--|--|
| Type | Al/Cu (standard version), Copper fins, Blue fins, Fin guard silver treatment | | | | | | | |
|------|--|--|--|--|--|--|--|--|

Weight

| | | | | | | | | |
|------------------|----|------|------|------|------|---------------|------|------|
| Shipping weight | kg | 3435 | 3500 | 3719 | 3898 | 4174 (BLN) | 4807 | 5036 |
| | | | | | | 4627 (LN-ELN) | | |
| Operating weight | kg | 3485 | 3550 | 3775 | 3954 | 4250 (BLN) | 4883 | 5112 |
| | | | | | | 4703 (LN-ELN) | | |

Additional weight

| | | | | | | | | |
|---------------------|----|-----|-----|-----|-----|--------------|-----|------|
| HSE*/HPF** versions | kg | 0 | 0 | 0 | 0 | 0 | 0 | 0 |
| Copper Fins | kg | 489 | 489 | 489 | 581 | 674 (BLN-HT) | 897 | 1034 |
| | | | | | | 760 (LN-ELN) | | |

Dimensions

| | | | | | | | | |
|--------|----|------|------|------|------|---------------|------|------|
| Length | mm | 4000 | 4000 | 4000 | 4000 | 4000 (BLN) | 6000 | 6000 |
| | | | | | | 6000 (LN-ELN) | | |
| Width | mm | 2200 | 2200 | 2200 | 2200 | 2200 | 2200 | 2200 |
| Height | mm | 2550 | 2550 | 2550 | 2550 | 2550 | 2550 | 2550 |

(*) HSE Units with high efficiency brushless fans

(**) HPF Units with high static pressure fans

8.3 Unit Electrical Data

| AQTL/AQTH/AQTC/AQTR BLN | | 1206 | 1355 | 1506 | 1656 | 1806 | 2106 | 2406(**) |
|---------------------------|-----------------|----------------------|------|-------|-------|-------|-------|----------|
| Rated voltage | V/ph/Hz | 400 (± 10%) / 3 / 50 | | | | | | |
| Max. absorbed power | kW | 150 | 134 | 191 | 209 | 227 | 265 | 298/302 |
| Max. current FLA | A | 321 | 302 | 413 | 459 | 504 | 476 | 530/538 |
| Max. start-up current LRA | A | 485 | 497 | 608 | 700 | 745 | 788 | 842/850 |
| External fuses | A | 315 | 315 | 400 | 400 | 500 | 500 | 630 |
| Max. cable section (*) | mm ² | 185 | 185 | 2x150 | 2x150 | 2x185 | 2x185 | 2x185 |

Exchanger resistance

| | | | | | | | | |
|---------------------|---------|----------------------|--|--|--|--|--|--|
| Rated voltage | V/ph/Hz | 230 (± 10%) / 1 / 50 | | | | | | |
| Max. absorbed power | W | 370 | | | | | | |

| AQTL/AQTH/AQTC/AQTR LN/ELN | | 1206 | 1355 | 1506 | 1656 | 1806 | 2106 | 2406(**) |
|----------------------------|-----------------|----------------------|------|-------|-------|-------|-------|----------|
| Rated voltage | V/ph/Hz | 400 (± 10%) / 3 / 50 | | | | | | |
| Max. absorbed power | kW | 147 | 131 | 187 | 204 | 222 | 259 | 292/294 |
| Max. current FLA | A | 315 | 294 | 403 | 447 | 492 | 462 | 514/518 |
| Max. start-up current LRA | A | 479 | 489 | 598 | 688 | 733 | 774 | 826/830 |
| External fuses | A | 315 | 315 | 400 | 400 | 500 | 500 | 630 |
| Max. cable section (*) | mm ² | 185 | 185 | 2x150 | 2x150 | 2x185 | 2x185 | 2x185 |

Exchanger resistance

| | | | | | | | | |
|---------------------|---------|----------------------|--|--|--|--|--|--|
| Rated voltage | V/ph/Hz | 230 (± 10%) / 1 / 50 | | | | | | |
| Max. absorbed power | W | 370 | | | | | | |

| AQTL/AQTH/AQTC/AQTR HSE BLN/LN/ELN/HT / HPF | | 1206 | 1355 | 1506 | 1656 | 1806 | 2106 | 2406(**) |
|---|-----------------|----------------------|------|-------|-------|-------|-------|----------|
| Rated voltage | V/ph/Hz | 400 (± 10%) / 3 / 50 | | | | | | |
| Max. absorbed power | kW | 153 | 139 | 196 | 215 | 234 | 272 | 307/312 |
| Max. current FLA | A | 322 | 304 | 415 | 461 | 507 | 479 | 533/541 |
| Max. start-up current LRA | A | 486 | 499 | 610 | 702 | 748 | 791 | 845/853 |
| External fuses | A | 315 | 315 | 400 | 400 | 500 | 500 | 630 |
| Max. cable section (*) | mm ² | 185 | 185 | 2x150 | 2x150 | 2x185 | 2x185 | 2x185 |

Exchanger resistance

| | | | | | | | | |
|---------------------|---------|----------------------|--|--|--|--|--|--|
| Rated voltage | V/ph/Hz | 230 (± 10%) / 1 / 50 | | | | | | |
| Max. absorbed power | W | 370 | | | | | | |

(*) The dimensioning of the unit's power cables is the responsibility of the installer, who shall consider: the rating, the maximum working temperature in the room, the type of insulation and the cable laying, the maximum length of the power supply line.

(**) The second data for size 2406 refers to AQTH.

Compressors Electrical Data

| AQTL/AQTH/AQTC/AQTR | | 1206 | 1355 | 1506 | 1656 | 1806 | 2106 | 2406 |
|---------------------|----|--|--|--|--|--|--|--|
| Number | - | 6 | 5 | 6 | 6 | 6 | 6 | 6 |
| Max. absorbed power | kW | circuit 1 - (23,8+23,8+23,8) circuit 2 - (23,8+23,8+23,8) | circuit 1 - (23,8+23,8+23,8) circuit 2 - (30+30) | circuit 1 - (30+30+30) circuit 2 - (30+30+30) | circuit 1 - (30+30+30) circuit 2 - (35,4+35,4+35,4) | circuit 1 - (35,4+35,4+35,4) circuit 2 - (35,4+35,4+35,4) | circuit 1 - (36,1+36,1+36,1) circuit 2 - (46,7+46,7+46,7) | circuit 1 - (46,7+46,7+46,7) circuit 2 - (46,7+46,7+46,7) |
| Max. current FLA | A | circuit 1 - (51+51+51) circuit 2 - (51+51+51) | circuit 1 - (51+51+51) circuit 2 - (65+65) | circuit 1 - (65+65+65) circuit 2 - (65+65+65) | circuit 1 - (65+65+65) circuit 2 - (79+79+79) | circuit 1 - (79+79+79) circuit 2 - (79+79+79) | circuit 1 - (65,4+65,4+65,4) circuit 2 - (82+82+82) | circuit 1 - (82+82+82) circuit 2 - (82+82+82) |
| Oil pan resistor | W | circuit 1 - (150+150+150) circuit 2 - (150+150+150) | circuit 1 - (150+150+150) circuit 2 - (150+150+150) | circuit 1 - (150+150+150) circuit 2 - (150+150+150) | circuit 1 - (150+150+150) circuit 2 - (150+150+150) | circuit 1 - (150+150+150) circuit 2 - (150+150+150) | circuit 1 - (150+150+150) circuit 2 - (150+150+150) | circuit 1 - (150+150+150) circuit 2 - (150+150+150) |

Fans Electrical Data

| AQTL/AQTH/AQTC/AQTR BLN | | 1206 | 1355 | 1506 | 1656 | 1806 | 2106 | 2406 |
|----------------------------|---------|----------------------|------|------|------|------|------|---------|
| Rated voltage | V/ph/Hz | 400 (± 10%) / 3 / 50 | | | | | | |
| Number | - | 4 | 5 | 6 | 7 | 8 | 9 | 10- 12* |
| Rated power | kW | 1,80 | 1,80 | 1,80 | 1,80 | 1,80 | 1,80 | 1,80 |
| Absorbed rated current FLA | A | 3,8 | 3,8 | 3,8 | 3,8 | 3,8 | 3,8 | 3,8 |

| AQTL/AQTH/AQTC/AQTR LN/ELN | | 1206 | 1355 | 1506 | 1656 | 1806 | 2106 | 2406 |
|----------------------------|---------|----------------------|------|------|------|------|------|---------|
| Rated voltage | V/ph/Hz | 400 (± 10%) / 3 / 50 | | | | | | |
| Number | - | 4 | 5 | 6 | 7 | 8 | 9 | 10- 12* |
| Rated power | kW | 1,15 | 1,15 | 1,15 | 1,15 | 1,15 | 1,15 | 1,15 |
| Absorbed rated current FLA | A | 2,2 | 2,2 | 2,2 | 2,2 | 2,2 | 2,2 | 2,2 |

| AQTL/AQTH/AQTC/AQTR HSE BLN/LN/ELN/HT/HPF | | 1206 | 1355 | 1506 | 1656 | 1806 | 2106 | 2406 |
|---|---------|----------------------|------|------|------|------|------|---------|
| Rated voltage | V/ph/Hz | 400 (± 10%) / 3 / 50 | | | | | | |
| Number | - | 4 | 5 | 6 | 7 | 8 | 9 | 10- 12* |
| Rated power | kW | 2,67 | 2,67 | 2,67 | 2,67 | 2,67 | 2,67 | 2,67 |
| Absorbed rated current FLA | A | 4,1 | 4,1 | 4,1 | 4,1 | 4,1 | 4,1 | 4,1 |

* The second data refers to AQTH

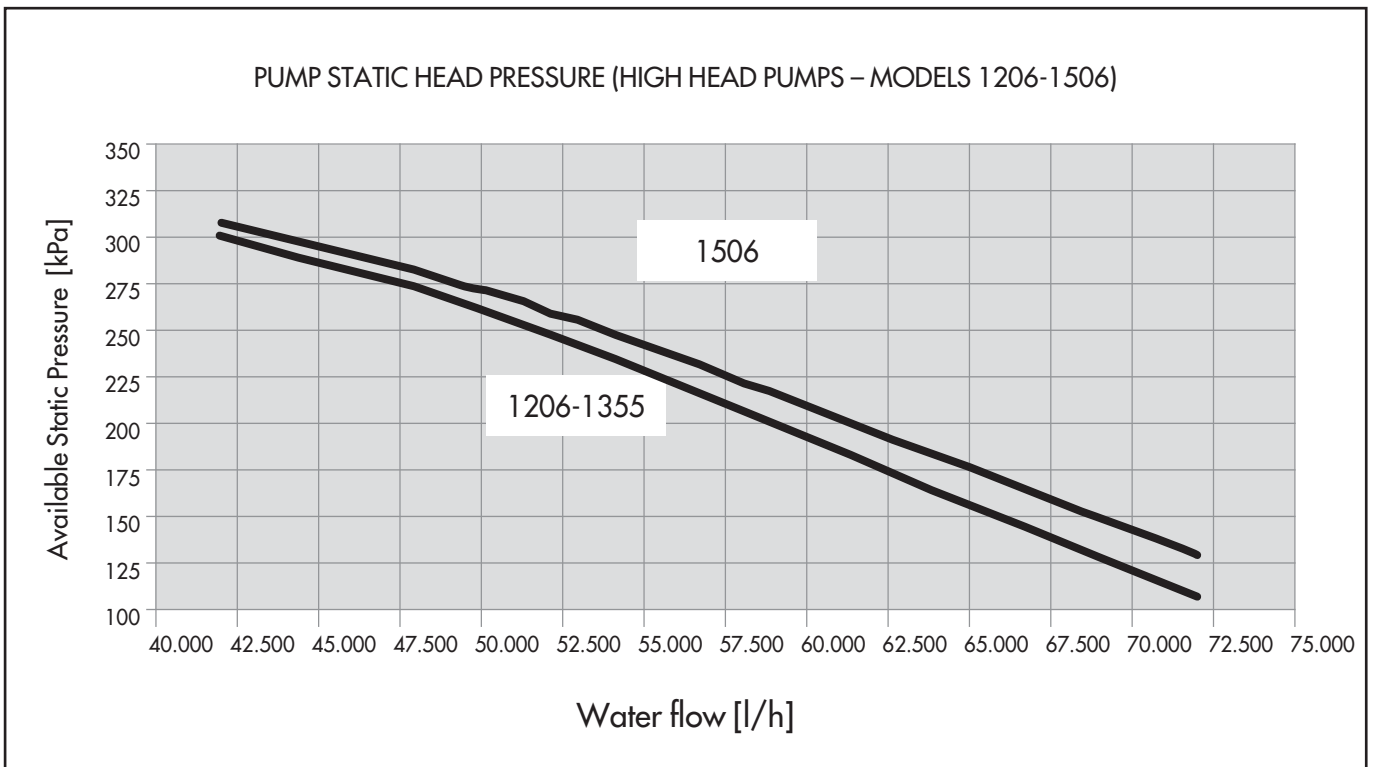
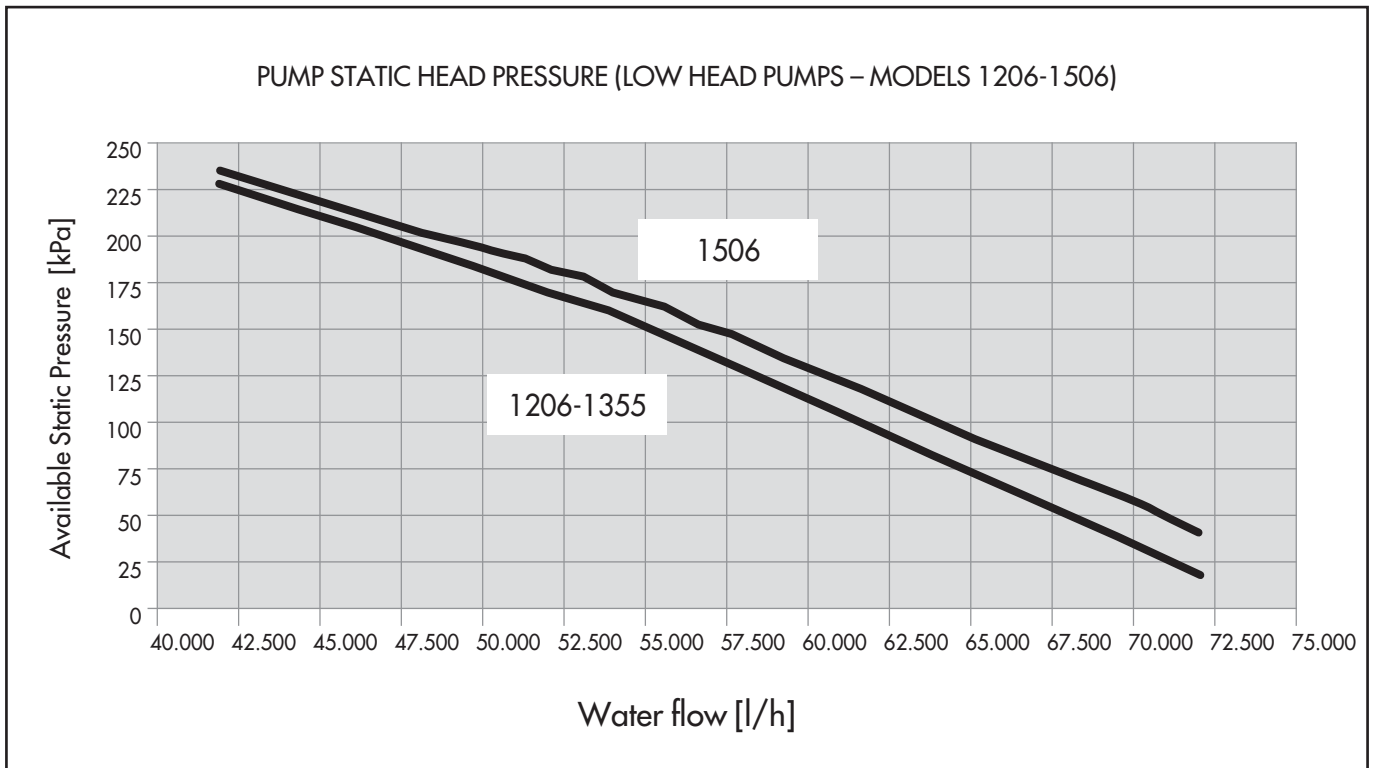
Pumps electrical data

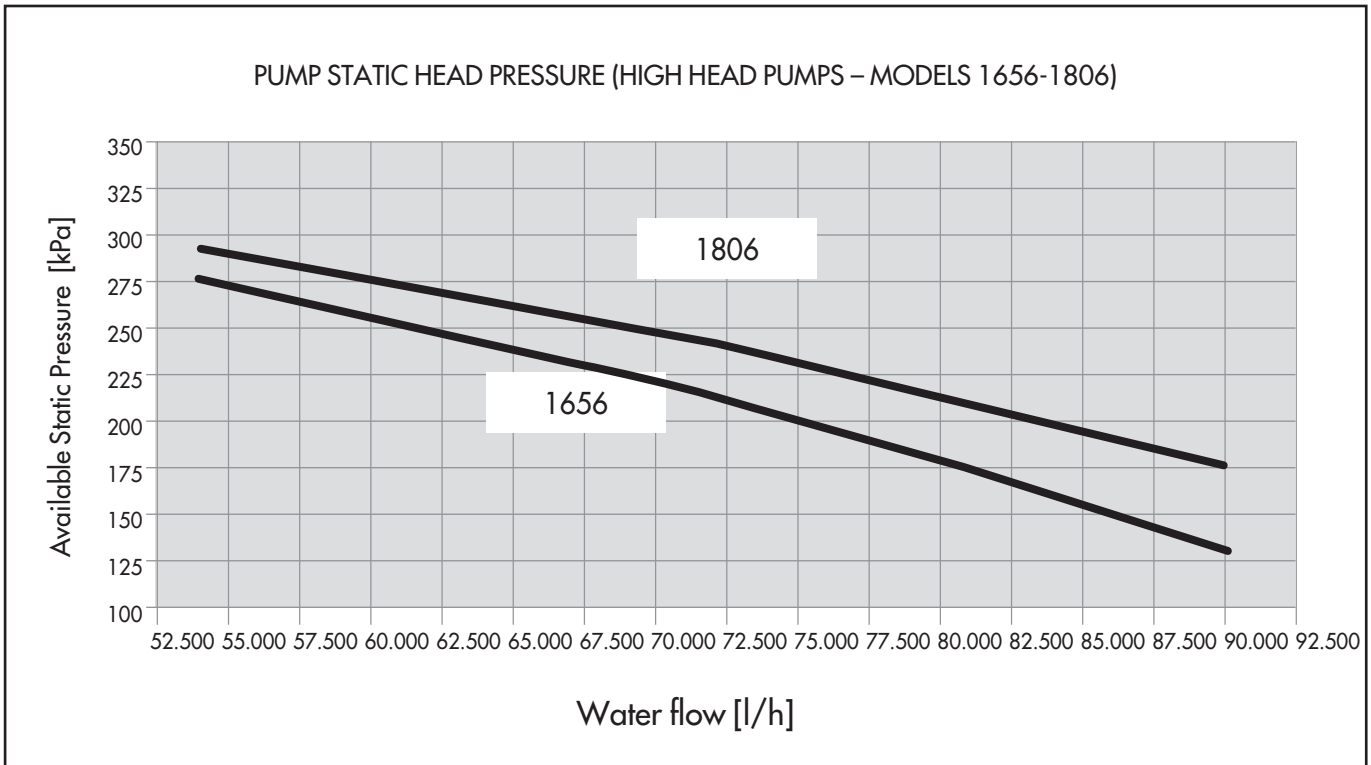
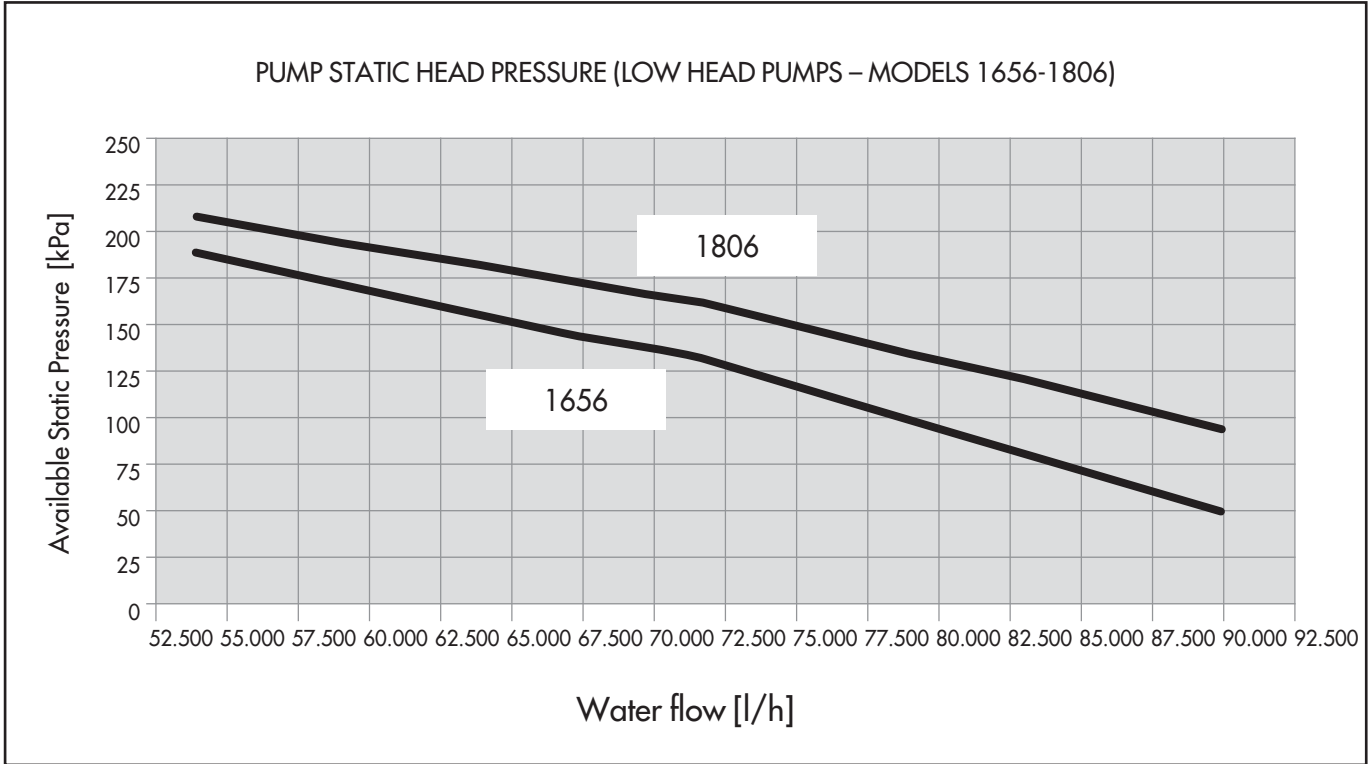
| AQTL/AQTH 1/2P-SP | | 1206 | 1355 | 1506 | 1656 | 1806 | 2106 | 2406 |
|----------------------------|---------|----------------------|------|------|------|------|------|------|
| Rated voltage | V/ph/Hz | 400 (± 10%) / 3 / 50 | | | | | | |
| Rated power | kW | 5,5 | 5,5 | 5,5 | 7,5 | 7,5 | 11 | 11 |
| Absorbed rated current FLA | A | 10,1 | 10,1 | 10,1 | 13,7 | 13,7 | 20 | 20 |

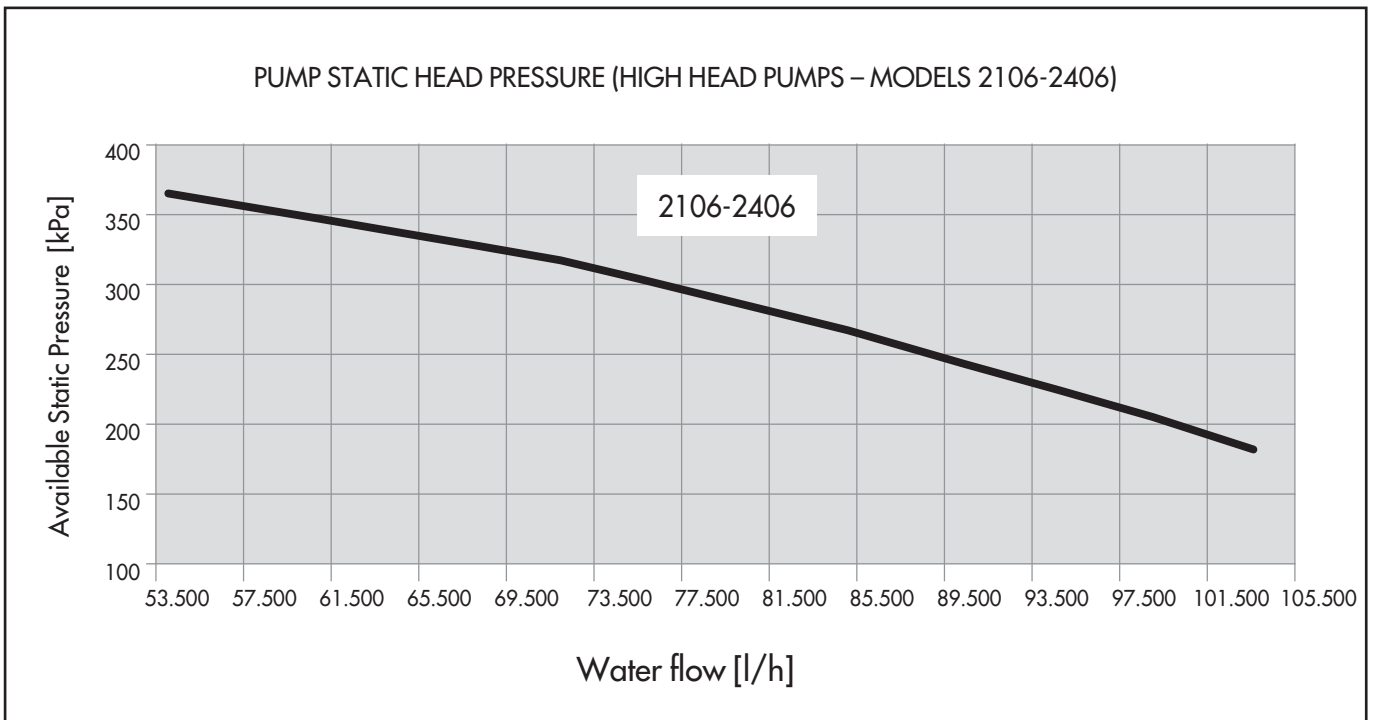
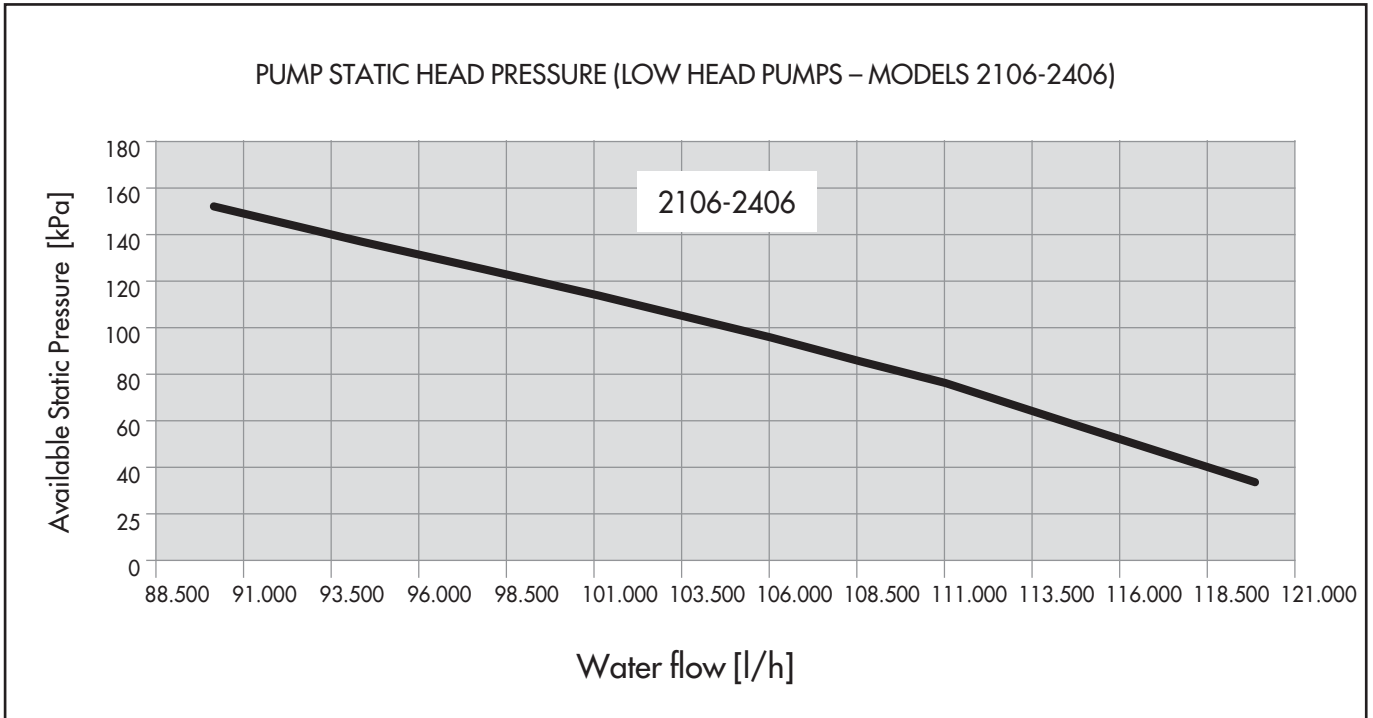
| AQTL/AQTH 1/2P-HP | | 1206 | 1355 | 1506 | 1656 | 1806 | 2106 | 2406 |
|----------------------------|---------|----------------------|------|------|------|------|------|------|
| Rated voltage | V/ph/Hz | 400 (± 10%) / 3 / 50 | | | | | | |
| Rated power | kW | 7,5 | 7,5 | 7,5 | 11 | 11 | 15 | 15 |
| Absorbed rated current FLA | A | 13,7 | 13,7 | 13,7 | 20 | 20 | 26,7 | 26,7 |

8.4 Hydraulic Features

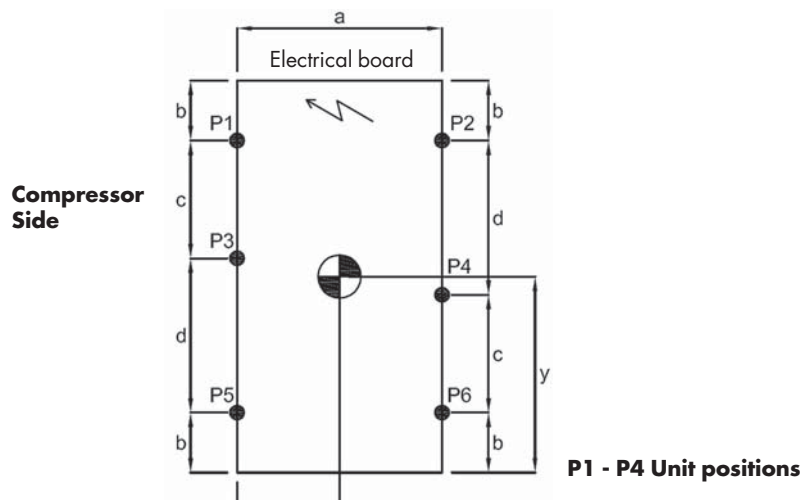
AQTL/AQTH Unit







8.5 Position of shock adsorbers and weight distribution on supports



AQTL 1206 - 1806 Al/Cu All STD Versions

| AQTL Al/Cu | Weight distribution | | | | | | Operating weight | Shipping weight | P1-P6 coordinates* | | | | CG coordinates | |
|------------|---------------------|-----|-----|-----|-----|-----|------------------|-----------------|--------------------|-----|------|------|----------------|------|
| | F1 | F2 | F3 | F4 | F5 | F6 | | | a | b | c | d | x | y |
| | kg | kg | kg | kg | kg | kg | kg | kg | mm | mm | mm | mm | mm | mm |
| 1206 | 735 | 535 | 644 | 416 | 526 | 326 | 3182 | 3157 | 2099 | 613 | 1208 | 1583 | 886 | 2207 |
| 1355 | 722 | 514 | 652 | 423 | 561 | 353 | 3226 | 3201 | 2099 | 613 | 1208 | 1583 | 883 | 2163 |
| 1506 | 782 | 555 | 696 | 443 | 583 | 356 | 3416 | 3388 | 2099 | 613 | 1208 | 1583 | 875 | 2187 |
| 1656 | 836 | 593 | 736 | 462 | 605 | 362 | 3595 | 3567 | 2099 | 613 | 1208 | 1583 | 870 | 2204 |
| 1806 | 884 | 649 | 772 | 502 | 626 | 390 | 3822 | 3784 | 2099 | 613 | 1208 | 1583 | 889 | 2213 |
| 1206 1P | 758 | 599 | 656 | 465 | 522 | 363 | 3362 | 3337 | 2099 | 613 | 1208 | 1583 | 934 | 2217 |
| 1355 1P | 745 | 578 | 664 | 472 | 558 | 391 | 3406 | 3381 | 2099 | 613 | 1208 | 1583 | 930 | 2175 |
| 1506 1P | 805 | 619 | 708 | 491 | 580 | 394 | 3596 | 3568 | 2099 | 613 | 1208 | 1583 | 921 | 2197 |
| 1656 1P | 859 | 656 | 748 | 510 | 602 | 399 | 3775 | 3747 | 2099 | 613 | 1208 | 1583 | 914 | 2213 |
| 1806 1P | 907 | 712 | 784 | 551 | 622 | 427 | 4002 | 3964 | 2099 | 613 | 1208 | 1583 | 929 | 2220 |
| 1206 2P | 738 | 644 | 659 | 541 | 557 | 463 | 3602 | 3577 | 2099 | 613 | 1208 | 1583 | 1003 | 2157 |
| 1355 2P | 725 | 623 | 668 | 548 | 592 | 490 | 3646 | 3621 | 2099 | 613 | 1208 | 1583 | 999 | 2118 |
| 1506 2P | 785 | 664 | 711 | 567 | 615 | 493 | 3836 | 3808 | 2099 | 613 | 1208 | 1583 | 987 | 2142 |
| 1656 2P | 839 | 702 | 752 | 587 | 637 | 499 | 4015 | 3987 | 2099 | 613 | 1208 | 1583 | 977 | 2159 |
| 1806 2P | 887 | 757 | 787 | 627 | 657 | 527 | 4242 | 4204 | 2099 | 613 | 1208 | 1583 | 989 | 2169 |
| 1206 1PT | 602 | 607 | 695 | 729 | 816 | 822 | 4272 | 3497 | 2099 | 613 | 1208 | 1583 | 1104 | 1869 |
| 1355 1PT | 589 | 587 | 703 | 736 | 852 | 849 | 4316 | 3541 | 2099 | 613 | 1208 | 1583 | 1099 | 1839 |
| 1506 1PT | 650 | 628 | 747 | 755 | 874 | 852 | 4506 | 3728 | 2099 | 613 | 1208 | 1583 | 1084 | 1871 |
| 1656 1PT | 704 | 665 | 787 | 775 | 896 | 858 | 4685 | 3907 | 2099 | 613 | 1208 | 1583 | 1073 | 1896 |
| 1806 1PT | 751 | 721 | 823 | 815 | 916 | 886 | 4912 | 4124 | 2099 | 613 | 1208 | 1583 | 1078 | 1917 |
| 1206 2PT | 589 | 615 | 700 | 761 | 846 | 872 | 4382 | 3607 | 2099 | 613 | 1208 | 1583 | 1120 | 1844 |
| 1355 2PT | 576 | 594 | 708 | 767 | 881 | 900 | 4426 | 3651 | 2099 | 613 | 1208 | 1583 | 1115 | 1815 |
| 1506 2PT | 636 | 635 | 752 | 787 | 904 | 903 | 4616 | 3838 | 2099 | 613 | 1208 | 1583 | 1100 | 1847 |
| 1656 2PT | 690 | 673 | 792 | 806 | 926 | 908 | 4795 | 4017 | 2099 | 613 | 1208 | 1583 | 1088 | 1873 |
| 1806 2PT | 738 | 728 | 828 | 846 | 946 | 936 | 5022 | 4234 | 2099 | 613 | 1208 | 1583 | 1092 | 1894 |

* Dimensions are referred to unit with antivibration mounted isolators.

Technical data

AQTL 1206 - 1806 Cu/Cu All STD Versions

| AQTL Cu/Cu | Weight distribution | | | | | | Operating weight | Shipping weight | P1-P6 coordinates* | | | | CG coordinates | |
|---------------|---------------------|-----|-----|-----|------|------|---------------------|--------------------|--------------------|-----|------|------|----------------|------|
| | F1 | F2 | F3 | F4 | F5 | F6 | | | a | b | c | d | x | y |
| | kg | kg | kg | kg | kg | kg | kg | kg | mm | mm | mm | mm | mm | mm |
| 1206 | 826 | 620 | 745 | 513 | 638 | 431 | 3774 | 3749 | 2099 | 613 | 1208 | 1583 | 913 | 2161 |
| 1355 | 815 | 600 | 754 | 521 | 675 | 460 | 3825 | 3800 | 2099 | 613 | 1208 | 1583 | 910 | 2124 |
| 1506 | 877 | 642 | 800 | 541 | 699 | 464 | 4023 | 3995 | 2099 | 613 | 1208 | 1583 | 903 | 2146 |
| 1656 | 944 | 692 | 855 | 576 | 738 | 487 | 4292 | 4264 | 2099 | 613 | 1208 | 1583 | 901 | 2157 |
| 1806 | 1008 | 763 | 909 | 633 | 778 | 534 | 4626 | 4588 | 2099 | 613 | 1208 | 1583 | 919 | 2160 |
| 1206 1P | 849 | 683 | 756 | 562 | 635 | 469 | 3954 | 3929 | 2099 | 613 | 1208 | 1583 | 953 | 2171 |
| 1355 1P | 838 | 664 | 766 | 569 | 672 | 497 | 4005 | 3980 | 2099 | 613 | 1208 | 1583 | 950 | 2136 |
| 1506 1P | 900 | 706 | 811 | 590 | 695 | 501 | 4203 | 4175 | 2099 | 613 | 1208 | 1583 | 940 | 2156 |
| 1656 1P | 967 | 756 | 866 | 624 | 734 | 524 | 4472 | 4444 | 2099 | 613 | 1208 | 1583 | 937 | 2166 |
| 1806 1P | 1031 | 827 | 920 | 682 | 775 | 571 | 4806 | 4768 | 2099 | 613 | 1208 | 1583 | 951 | 2169 |
| 1206 2P | 829 | 729 | 760 | 638 | 669 | 568 | 4194 | 4169 | 2099 | 613 | 1208 | 1583 | 1011 | 2123 |
| 1355 2P | 818 | 709 | 770 | 645 | 706 | 597 | 4245 | 4220 | 2099 | 613 | 1208 | 1583 | 1008 | 2089 |
| 1506 2P | 880 | 751 | 815 | 666 | 730 | 601 | 4443 | 4415 | 2099 | 613 | 1208 | 1583 | 996 | 2111 |
| 1656 2P | 947 | 801 | 870 | 700 | 769 | 623 | 4712 | 4684 | 2099 | 613 | 1208 | 1583 | 990 | 2123 |
| 1806 2P | 1011 | 872 | 924 | 758 | 810 | 671 | 5046 | 5008 | 2099 | 613 | 1208 | 1583 | 1000 | 2128 |
| 1206 1PT | 694 | 692 | 796 | 826 | 929 | 927 | 4864 | 4089 | 2099 | 613 | 1208 | 1583 | 1098 | 1874 |
| 1355 1PT | 682 | 672 | 805 | 833 | 966 | 956 | 4915 | 4140 | 2099 | 613 | 1208 | 1583 | 1094 | 1848 |
| 1506 1PT | 744 | 715 | 850 | 854 | 990 | 960 | 5113 | 4335 | 2099 | 613 | 1208 | 1583 | 1081 | 1876 |
| 1656 1PT | 811 | 765 | 906 | 888 | 1029 | 983 | 5382 | 4604 | 2099 | 613 | 1208 | 1583 | 1071 | 1898 |
| 1806 1PT | 876 | 836 | 959 | 946 | 1069 | 1030 | 5716 | 4928 | 2099 | 613 | 1208 | 1583 | 1075 | 1916 |
| 1206 2PT | 680 | 700 | 801 | 857 | 958 | 978 | 4974 | 4199 | 2099 | 613 | 1208 | 1583 | 1113 | 1852 |
| 1355 2PT | 669 | 680 | 810 | 865 | 995 | 1006 | 5025 | 4250 | 2099 | 613 | 1208 | 1583 | 1108 | 1827 |
| 1506 2PT | 731 | 722 | 855 | 885 | 1019 | 1010 | 5223 | 4445 | 2099 | 613 | 1208 | 1583 | 1095 | 1855 |
| 1656 2PT | 798 | 772 | 911 | 920 | 1058 | 1033 | 5492 | 4714 | 2099 | 613 | 1208 | 1583 | 1084 | 1878 |
| 1806 2PT | 862 | 843 | 965 | 977 | 1099 | 1080 | 5826 | 5038 | 2099 | 613 | 1208 | 1583 | 1088 | 1897 |

AQTH 1206 - 1806 Al/Cu All STD Versions

| AQTH Al/Cu | Weight distribution | | | | | | Operating weight | Shipping weight | P1-P6 coordinates* | | | | CG coordinates | |
|---------------|---------------------|-----|-----|-----|-----|-----|---------------------|--------------------|--------------------|-----|------|------|----------------|------|
| | F1 | F2 | F3 | F4 | F5 | F6 | | | a | b | c | d | x | y |
| | kg | kg | kg | kg | kg | kg | kg | kg | mm | mm | mm | mm | mm | mm |
| 1206 | 766 | 557 | 676 | 439 | 558 | 349 | 3344 | 3319 | 2099 | 613 | 1208 | 1583 | 887 | 2197 |
| 1355 | 757 | 539 | 688 | 449 | 597 | 380 | 3409 | 3384 | 2099 | 613 | 1208 | 1583 | 885 | 2154 |
| 1506 | 821 | 583 | 736 | 471 | 624 | 386 | 3620 | 3592 | 2099 | 613 | 1208 | 1583 | 878 | 2176 |
| 1656 | 875 | 620 | 776 | 491 | 646 | 391 | 3800 | 3772 | 2099 | 613 | 1208 | 1583 | 873 | 2193 |
| 1806 | 926 | 678 | 815 | 533 | 669 | 422 | 4043 | 4005 | 2099 | 613 | 1208 | 1583 | 891 | 2201 |
| 1206 1P | 788 | 621 | 687 | 488 | 554 | 386 | 3524 | 3499 | 2099 | 613 | 1208 | 1583 | 933 | 2207 |
| 1355 1P | 780 | 603 | 699 | 497 | 594 | 417 | 3589 | 3564 | 2099 | 613 | 1208 | 1583 | 930 | 2166 |
| 1506 1P | 844 | 647 | 747 | 520 | 620 | 423 | 3800 | 3772 | 2099 | 613 | 1208 | 1583 | 921 | 2186 |
| 1656 1P | 898 | 684 | 787 | 539 | 642 | 428 | 3980 | 3952 | 2099 | 613 | 1208 | 1583 | 914 | 2202 |
| 1806 1P | 949 | 742 | 826 | 581 | 666 | 459 | 4223 | 4185 | 2099 | 613 | 1208 | 1583 | 929 | 2209 |
| 1206 2P | 769 | 666 | 691 | 564 | 589 | 486 | 3764 | 3739 | 2099 | 613 | 1208 | 1583 | 1000 | 2150 |
| 1355 2P | 760 | 648 | 703 | 573 | 629 | 517 | 3829 | 3804 | 2099 | 613 | 1208 | 1583 | 996 | 2112 |
| 1506 2P | 824 | 692 | 751 | 596 | 655 | 523 | 4040 | 4012 | 2099 | 613 | 1208 | 1583 | 984 | 2135 |
| 1656 2P | 878 | 729 | 791 | 615 | 677 | 528 | 4220 | 4192 | 2099 | 613 | 1208 | 1583 | 975 | 2151 |
| 1806 2P | 929 | 787 | 830 | 658 | 701 | 559 | 4463 | 4425 | 2099 | 613 | 1208 | 1583 | 985 | 2161 |
| 1206 1PT | 633 | 629 | 726 | 752 | 848 | 845 | 4434 | 3659 | 2099 | 613 | 1208 | 1583 | 1097 | 1874 |
| 1355 1PT | 624 | 611 | 738 | 761 | 888 | 876 | 4499 | 3724 | 2099 | 613 | 1208 | 1583 | 1092 | 1846 |
| 1506 1PT | 688 | 656 | 786 | 784 | 914 | 882 | 4710 | 3932 | 2099 | 613 | 1208 | 1583 | 1077 | 1877 |
| 1656 1PT | 742 | 693 | 827 | 803 | 937 | 887 | 4890 | 4112 | 2099 | 613 | 1208 | 1583 | 1066 | 1900 |
| 1806 1PT | 793 | 751 | 866 | 846 | 960 | 918 | 5133 | 4345 | 2099 | 613 | 1208 | 1583 | 1071 | 1920 |
| 1206 2PT | 619 | 637 | 731 | 783 | 878 | 895 | 4544 | 3769 | 2099 | 613 | 1208 | 1583 | 1112 | 1850 |
| 1355 2PT | 611 | 619 | 743 | 793 | 918 | 926 | 4609 | 3834 | 2099 | 613 | 1208 | 1583 | 1108 | 1823 |
| 1506 2PT | 675 | 663 | 791 | 816 | 944 | 932 | 4820 | 4042 | 2099 | 613 | 1208 | 1583 | 1093 | 1854 |
| 1656 2PT | 729 | 700 | 832 | 835 | 966 | 937 | 5000 | 4222 | 2099 | 613 | 1208 | 1583 | 1081 | 1878 |
| 1806 2PT | 780 | 758 | 871 | 877 | 990 | 968 | 5243 | 4455 | 2099 | 613 | 1208 | 1583 | 1085 | 1899 |

* Dimensions are referred to unit with antivibration mounted isolators.

AQTH 1206 - 1806 Cu/Cu All STD Versions

| AQTH Cu/Cu | Weight distribution | | | | | | Operating weight | Shipping weight | P1-P6 coordinates* | | | | CG coordinates | |
|---------------|---------------------|-----|-----|-----|------|------|---------------------|--------------------|--------------------|-----|------|------|----------------|------|
| | F1 | F2 | F3 | F4 | F5 | F6 | | | a | b | c | d | x | y |
| | kg | kg | kg | kg | kg | kg | | | mm | mm | mm | mm | mm | mm |
| 1206 | 838 | 628 | 756 | 521 | 650 | 440 | 3833 | 3808 | 2099 | 613 | 1208 | 1583 | 913 | 2159 |
| 1355 | 829 | 610 | 768 | 531 | 689 | 471 | 3898 | 3873 | 2099 | 613 | 1208 | 1583 | 911 | 2122 |
| 1506 | 893 | 654 | 816 | 554 | 716 | 477 | 4110 | 4082 | 2099 | 613 | 1208 | 1583 | 904 | 2143 |
| 1656 | 961 | 705 | 872 | 588 | 755 | 500 | 4381 | 4353 | 2099 | 613 | 1208 | 1583 | 902 | 2153 |
| 1806 | 1025 | 776 | 926 | 646 | 796 | 547 | 4717 | 4679 | 2099 | 613 | 1208 | 1583 | 920 | 2157 |
| 1206 1P | 860 | 692 | 768 | 570 | 646 | 477 | 4013 | 3988 | 2099 | 613 | 1208 | 1583 | 952 | 2169 |
| 1355 1P | 852 | 674 | 780 | 580 | 686 | 508 | 4078 | 4053 | 2099 | 613 | 1208 | 1583 | 950 | 2133 |
| 1506 1P | 916 | 718 | 828 | 602 | 712 | 514 | 4290 | 4262 | 2099 | 613 | 1208 | 1583 | 941 | 2153 |
| 1656 1P | 984 | 769 | 883 | 637 | 752 | 537 | 4561 | 4533 | 2099 | 613 | 1208 | 1583 | 937 | 2163 |
| 1806 1P | 1048 | 840 | 937 | 695 | 792 | 584 | 4897 | 4859 | 2099 | 613 | 1208 | 1583 | 951 | 2166 |
| 1206 2P | 841 | 737 | 771 | 646 | 681 | 577 | 4253 | 4228 | 2099 | 613 | 1208 | 1583 | 1010 | 2121 |
| 1355 2P | 832 | 719 | 784 | 656 | 721 | 608 | 4318 | 4293 | 2099 | 613 | 1208 | 1583 | 1007 | 2088 |
| 1506 2P | 896 | 763 | 831 | 678 | 747 | 614 | 4530 | 4502 | 2099 | 613 | 1208 | 1583 | 995 | 2109 |
| 1656 2P | 964 | 814 | 887 | 713 | 787 | 637 | 4801 | 4773 | 2099 | 613 | 1208 | 1583 | 989 | 2120 |
| 1806 2P | 1028 | 885 | 941 | 771 | 827 | 684 | 5137 | 5099 | 2099 | 613 | 1208 | 1583 | 999 | 2126 |
| 1206 1PT | 705 | 700 | 807 | 834 | 940 | 936 | 4923 | 4148 | 2099 | 613 | 1208 | 1583 | 1096 | 1876 |
| 1355 1PT | 696 | 683 | 819 | 844 | 980 | 967 | 4988 | 4213 | 2099 | 613 | 1208 | 1583 | 1092 | 1851 |
| 1506 1PT | 760 | 727 | 867 | 866 | 1006 | 973 | 5200 | 4422 | 2099 | 613 | 1208 | 1583 | 1079 | 1878 |
| 1656 1PT | 828 | 777 | 922 | 901 | 1046 | 996 | 5471 | 4693 | 2099 | 613 | 1208 | 1583 | 1069 | 1900 |
| 1806 1PT | 892 | 849 | 977 | 959 | 1087 | 1043 | 5807 | 5019 | 2099 | 613 | 1208 | 1583 | 1074 | 1918 |
| 1206 2PT | 691 | 708 | 812 | 866 | 970 | 986 | 5033 | 4258 | 2099 | 613 | 1208 | 1583 | 1110 | 1854 |
| 1355 2PT | 683 | 690 | 824 | 875 | 1010 | 1017 | 5098 | 4323 | 2099 | 613 | 1208 | 1583 | 1106 | 1830 |
| 1506 2PT | 747 | 734 | 872 | 898 | 1036 | 1023 | 5310 | 4532 | 2099 | 613 | 1208 | 1583 | 1093 | 1858 |
| 1656 2PT | 815 | 785 | 928 | 933 | 1076 | 1046 | 5581 | 4803 | 2099 | 613 | 1208 | 1583 | 1082 | 1880 |
| 1806 2PT | 879 | 856 | 982 | 991 | 1116 | 1093 | 5917 | 5129 | 2099 | 613 | 1208 | 1583 | 1086 | 1898 |

AQTC 1206 - 1806 Al/Cu All STD Versions

| AQTC Al/Cu | Weight distribution | | | | | | Operating weight | Shipping weight | P1-P6 coordinates* | | | | CG coordinates | |
|---------------|---------------------|-----|-----|-----|-----|-----|---------------------|--------------------|--------------------|-----|-------|-------|----------------|-------|
| | F1 | F2 | F3 | F4 | F5 | F6 | | | a | b | c | d | x | y |
| | kg | kg | kg | kg | kg | kg | | | mm | mm | mm | mm | mm | mm |
| 1206 | 684 | 447 | 624 | 368 | 545 | 308 | 2.974 | 2.974 | 2.099 | 613 | 1.208 | 1.583 | 835 | 2.157 |
| 1355 | 670 | 425 | 631 | 373 | 579 | 334 | 3.012 | 3.012 | 2.099 | 613 | 1.208 | 1.583 | 832 | 2.110 |
| 1506 | 725 | 458 | 672 | 388 | 603 | 335 | 3.182 | 3.182 | 2.099 | 613 | 1.208 | 1.583 | 822 | 2.135 |
| 1656 | 778 | 494 | 711 | 406 | 623 | 339 | 3.350 | 3.350 | 2.099 | 613 | 1.208 | 1.583 | 819 | 2.156 |
| 1806 | 809 | 519 | 741 | 430 | 653 | 363 | 3.515 | 3.515 | 2.099 | 613 | 1.208 | 1.583 | 827 | 2.151 |

AQTC 1206 - 1806 Cu/Cu All STD Versions

| AQTC Cu/Cu | Weight distribution | | | | | | Operating weight | Shipping weight | P1-P6 coordinates* | | | | CG coordinates | |
|---------------|---------------------|-----|-----|-----|-----|-----|---------------------|--------------------|--------------------|-----|-------|-------|----------------|-------|
| | F1 | F2 | F3 | F4 | F5 | F6 | | | a | b | c | d | x | y |
| | kg | kg | kg | kg | kg | kg | | | mm | mm | mm | mm | mm | mm |
| 1206 | 756 | 517 | 705 | 450 | 638 | 398 | 3.463 | 3.463 | 2.099 | 613 | 1.208 | 1.583 | 870 | 2.120 |
| 1355 | 742 | 495 | 712 | 455 | 672 | 425 | 3.501 | 3.501 | 2.099 | 613 | 1.208 | 1.583 | 867 | 2.080 |
| 1506 | 798 | 528 | 754 | 470 | 696 | 426 | 3.671 | 3.671 | 2.099 | 613 | 1.208 | 1.583 | 857 | 2.103 |
| 1656 | 864 | 577 | 808 | 503 | 733 | 446 | 3.932 | 3.932 | 2.099 | 613 | 1.208 | 1.583 | 858 | 2.118 |
| 1806 | 909 | 615 | 853 | 543 | 781 | 488 | 4.189 | 4.189 | 2.099 | 613 | 1.208 | 1.583 | 868 | 2.110 |

* Dimensions are referred to unit with antivibration mounted isolators.

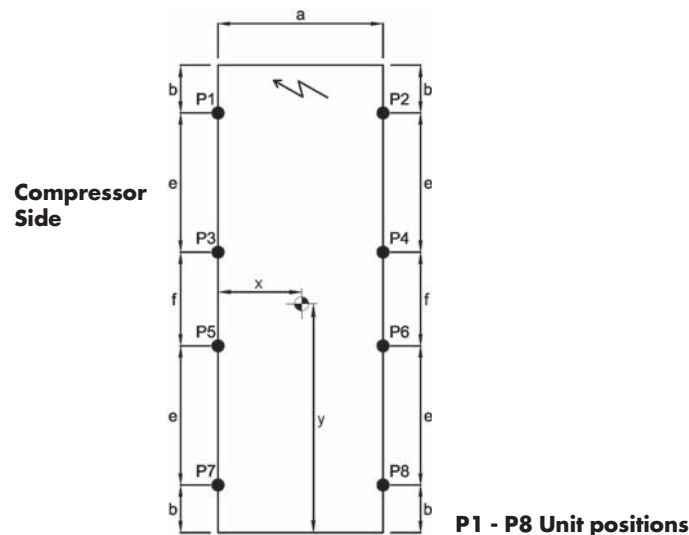
Technical data

AQTR 1206 - 1806 Al/Cu All STD Versions

| AQTR Al/Cu | Weight distribution | | | | | | Operating weight | Shipping weight | P1-P6 coordinates* | | | | CG coordinates | |
|------------|---------------------|-----|-----|-----|-----|-----|------------------|-----------------|--------------------|-----|------|------|----------------|------|
| | F1 | F2 | F3 | F4 | F5 | F6 | | | a | b | c | d | x | y |
| | kg | kg | kg | kg | kg | kg | kg | kg | mm | mm | mm | mm | mm | mm |
| 1206 | 792 | 616 | 685 | 476 | 545 | 369 | 3485 | 3435 | 2099 | 613 | 1208 | 1583 | 923 | 2220 |
| 1355 | 783 | 598 | 698 | 486 | 585 | 400 | 3550 | 3500 | 2099 | 613 | 1208 | 1583 | 920 | 2178 |
| 1506 | 850 | 648 | 746 | 512 | 610 | 408 | 3775 | 3719 | 2099 | 613 | 1208 | 1583 | 915 | 2200 |
| 1656 | 904 | 685 | 787 | 531 | 633 | 414 | 3954 | 3898 | 2099 | 613 | 1208 | 1583 | 908 | 2214 |
| 1806 | 965 | 765 | 829 | 587 | 651 | 452 | 4250 | 4174 | 2099 | 613 | 1208 | 1583 | 934 | 2227 |

AQTR 1206 - 1806 Cu/Cu All STD Versions

| AQTR Cu/Cu | Weight distribution | | | | | | Operating weight | Shipping weight | P1-P6 coordinates* | | | | CG coordinates | |
|------------|---------------------|-----|-----|-----|-----|-----|------------------|-----------------|--------------------|-----|------|------|----------------|------|
| | F1 | F2 | F3 | F4 | F5 | F6 | | | a | b | c | d | x | y |
| | kg | kg | kg | kg | kg | kg | kg | kg | mm | mm | mm | mm | mm | mm |
| 1206 | 894 | 719 | 771 | 558 | 609 | 435 | 3986 | 3936 | 2099 | 613 | 1208 | 1583 | 945 | 2220 |
| 1355 | 857 | 671 | 780 | 570 | 679 | 493 | 4052 | 4002 | 2099 | 613 | 1208 | 1583 | 942 | 2143 |
| 1506 | 924 | 721 | 829 | 596 | 704 | 501 | 4276 | 4220 | 2099 | 613 | 1208 | 1583 | 936 | 2164 |
| 1656 | 992 | 771 | 885 | 631 | 744 | 524 | 4547 | 4491 | 2099 | 613 | 1208 | 1583 | 932 | 2173 |
| 1806 | 1066 | 865 | 942 | 703 | 780 | 579 | 4936 | 4860 | 2099 | 613 | 1208 | 1583 | 956 | 2181 |



AQTL/AQTH/AQTC/AQTR 1806 Al/Cu (LN and ELN)

| 1806 LN/ELN | Weight distribution | | | | | | | | Operating weight | Shipping weight | P1-P8 coordinates* | | | | CG coordinates | |
|-------------|---------------------|-----|-----|-----|-----|-----|-----|-----|------------------|-----------------|--------------------|-----|------|------|----------------|------|
| | F1 | F2 | F3 | F4 | F5 | F6 | F7 | F8 | | | a | b | e | f | x | y |
| | kg | kg | kg | kg | kg | kg | kg | kg | kg | kg | mm | mm | mm | mm | mm | mm |
| AQTL | 899 | 694 | 701 | 496 | 584 | 379 | 386 | 181 | 4321 | 4283 | 2099 | 577 | 1882 | 1116 | 893 | 3617 |
| AQTL1P | 931 | 756 | 714 | 539 | 586 | 411 | 370 | 194 | 4501 | 4463 | 2099 | 577 | 1882 | 1116 | 929 | 3648 |
| AQTL2P | 938 | 901 | 750 | 713 | 639 | 602 | 452 | 415 | 4741 | 4703 | 2099 | 577 | 1882 | 1116 | 982 | 3543 |
| AQTL1PT | 902 | 777 | 711 | 587 | 599 | 474 | 408 | 283 | 5411 | 4623 | 2099 | 577 | 1882 | 1116 | 1064 | 3469 |
| AQTL2PT | 942 | 922 | 755 | 735 | 645 | 625 | 458 | 438 | 5521 | 4733 | 2099 | 577 | 1882 | 1116 | 1077 | 3457 |
| AQTH | 999 | 695 | 785 | 481 | 658 | 354 | 444 | 140 | 4554 | 4516 | 2099 | 577 | 1882 | 1116 | 812 | 3634 |
| AQTH1P | 1031 | 756 | 798 | 523 | 660 | 385 | 427 | 153 | 4734 | 4696 | 2099 | 577 | 1882 | 1116 | 849 | 3662 |
| AQTH2P | 1002 | 778 | 795 | 571 | 672 | 448 | 466 | 242 | 4974 | 4936 | 2099 | 577 | 1882 | 1116 | 904 | 3561 |
| AQTH1PT | 1038 | 902 | 834 | 698 | 713 | 577 | 509 | 373 | 5644 | 4856 | 2099 | 577 | 1882 | 1116 | 991 | 3488 |
| AQTH2PT | 1042 | 923 | 839 | 720 | 719 | 600 | 516 | 397 | 5754 | 4966 | 2099 | 577 | 1882 | 1116 | 1006 | 3477 |
| AQTR | 1035 | 766 | 796 | 527 | 655 | 386 | 416 | 147 | 4728 | 4652 | 2099 | 577 | 1882 | 1116 | 853 | 3680 |
| AQTC | 831 | 592 | 669 | 430 | 573 | 334 | 412 | 173 | 4014 | 4014 | 2099 | 577 | 1882 | 1116 | 843 | 3543 |

* Dimensions are referred to unit with antivibration mounted isolators.

AQTL/AQTH/AQTC/AQTR 1806 Cu/Cu (LN and ELN)

| 1806 LN/ELN | Weight distribution | | | | | | | | Operating weight | Shipping weight | P1-P8 coordinates* | | | | CG coordinates | |
|----------------|---------------------|------|-----|-----|-----|-----|-----|-----|---------------------|--------------------|--------------------|-----|------|------|----------------|------|
| | F1 | F2 | F3 | F4 | F5 | F6 | F7 | F8 | | | a | b | e | f | x | y |
| | kg | kg | kg | kg | kg | kg | kg | kg | kg | kg | mm | mm | mm | mm | mm | mm |
| AQTL | 984 | 779 | 794 | 589 | 681 | 476 | 491 | 286 | 5081 | 5043 | 2099 | 577 | 1882 | 1116 | 923 | 3505 |
| AQTL1P | 1016 | 840 | 807 | 632 | 683 | 508 | 475 | 299 | 5261 | 5223 | 2099 | 577 | 1882 | 1116 | 953 | 3536 |
| AQTL2P | 1023 | 986 | 843 | 806 | 737 | 700 | 557 | 520 | 5501 | 5463 | 2099 | 577 | 1882 | 1116 | 997 | 3450 |
| AQTL1PT | 987 | 862 | 804 | 679 | 696 | 571 | 513 | 388 | 6171 | 5383 | 2099 | 577 | 1882 | 1116 | 1067 | 3395 |
| AQTL2PT | 1027 | 1007 | 848 | 828 | 742 | 722 | 564 | 544 | 6281 | 5493 | 2099 | 577 | 1882 | 1116 | 1079 | 3386 |
| AQTH | 1084 | 780 | 877 | 573 | 755 | 451 | 549 | 245 | 5314 | 5276 | 2099 | 577 | 1882 | 1116 | 852 | 3524 |
| AQTH1P | 1116 | 841 | 891 | 616 | 757 | 483 | 532 | 258 | 5494 | 5456 | 2099 | 577 | 1882 | 1116 | 883 | 3553 |
| AQTH2P | 1087 | 863 | 888 | 664 | 770 | 546 | 571 | 347 | 5734 | 5696 | 2099 | 577 | 1882 | 1116 | 929 | 3470 |
| AQTH1PT | 1123 | 986 | 927 | 791 | 810 | 674 | 614 | 478 | 6404 | 5616 | 2099 | 577 | 1882 | 1116 | 1003 | 3415 |
| AQTH2PT | 1126 | 1007 | 932 | 812 | 816 | 697 | 621 | 502 | 6514 | 5726 | 2099 | 577 | 1882 | 1116 | 1016 | 3406 |
| AQTR | 1120 | 851 | 889 | 620 | 752 | 483 | 521 | 252 | 5488 | 5412 | 2099 | 577 | 1882 | 1116 | 886 | 3568 |
| AQTC | 915 | 676 | 762 | 523 | 671 | 432 | 517 | 278 | 4774 | 4774 | 2099 | 577 | 1882 | 1116 | 882 | 3436 |

AQTL 2106-2406 Al/Cu All STD Version

| AQTL | Weight distribution | | | | | | | | Operating weight | Shipping weight | P1-P8 coordinates* | | | | CG coordinates | |
|----------|---------------------|------|-----|-----|-----|-----|-----|-----|---------------------|--------------------|--------------------|-----|------|------|----------------|------|
| | F1 | F2 | F3 | F4 | F5 | F6 | F7 | F8 | | | a | b | e | f | x | y |
| | kg | kg | kg | kg | kg | kg | kg | kg | kg | kg | mm | mm | mm | mm | mm | mm |
| 2106 | 934 | 723 | 733 | 522 | 614 | 403 | 412 | 202 | 4543 | 4505 | 2099 | 577 | 1882 | 1116 | 898 | 3597 |
| 2406 | 953 | 744 | 755 | 546 | 637 | 428 | 439 | 229 | 4731 | 4693 | 2099 | 577 | 1882 | 1116 | 907 | 3566 |
| 2106 1P | 941 | 762 | 742 | 563 | 624 | 445 | 425 | 245 | 4747 | 4709 | 2099 | 577 | 1882 | 1116 | 934 | 3566 |
| 2406 1P | 961 | 783 | 764 | 586 | 647 | 470 | 451 | 273 | 4935 | 4897 | 2099 | 577 | 1882 | 1116 | 941 | 3538 |
| 2106 2P | 951 | 812 | 754 | 615 | 637 | 499 | 441 | 302 | 5011 | 4973 | 2099 | 577 | 1882 | 1116 | 976 | 3530 |
| 2406 2P | 970 | 833 | 776 | 639 | 661 | 524 | 467 | 330 | 5199 | 5161 | 2099 | 577 | 1882 | 1116 | 982 | 3505 |
| 2106 1PT | 1004 | 1014 | 802 | 812 | 682 | 691 | 479 | 489 | 5973 | 4935 | 2099 | 577 | 1882 | 1116 | 1099 | 3459 |
| 2406 1PT | 1024 | 1035 | 824 | 835 | 705 | 717 | 505 | 517 | 6161 | 5123 | 2099 | 577 | 1882 | 1116 | 1100 | 3439 |
| 2106 2PT | 1024 | 1057 | 812 | 845 | 686 | 719 | 474 | 507 | 6123 | 5085 | 2099 | 577 | 1882 | 1116 | 1115 | 3469 |
| 2406 2PT | 911 | 941 | 728 | 758 | 619 | 649 | 436 | 467 | 6311 | 5273 | 2099 | 577 | 1882 | 1116 | 1116 | 3450 |

AQTL 2106-2406 Cu/Cu All STD Version

| AQTL | Weight distribution | | | | | | | | Operating weight | Shipping weight | P1-P8 coordinates* | | | | CG coordinates | |
|----------|---------------------|------|-----|-----|-----|-----|-----|-----|---------------------|--------------------|--------------------|-----|------|------|----------------|------|
| | F1 | F2 | F3 | F4 | F5 | F6 | F7 | F8 | | | a | b | e | f | x | y |
| | kg | kg | kg | kg | kg | kg | kg | kg | kg | kg | mm | mm | mm | mm | mm | mm |
| 2106 | 1023 | 808 | 837 | 622 | 726 | 512 | 541 | 326 | 5395 | 5357 | 2099 | 577 | 1882 | 1116 | 926 | 3466 |
| 2406 | 1064 | 855 | 878 | 669 | 767 | 558 | 581 | 372 | 5745 | 5707 | 2099 | 577 | 1882 | 1116 | 940 | 3439 |
| 2106 1P | 1059 | 878 | 852 | 671 | 729 | 548 | 522 | 341 | 5599 | 5561 | 2099 | 577 | 1882 | 1116 | 957 | 3500 |
| 2406 1P | 1100 | 925 | 893 | 717 | 770 | 594 | 562 | 387 | 5949 | 5911 | 2099 | 577 | 1882 | 1116 | 969 | 3472 |
| 2106 2P | 1026 | 901 | 848 | 723 | 743 | 618 | 565 | 440 | 5863 | 5825 | 2099 | 577 | 1882 | 1116 | 1003 | 3411 |
| 2406 2P | 1067 | 948 | 889 | 770 | 783 | 664 | 605 | 486 | 6213 | 6175 | 2099 | 577 | 1882 | 1116 | 1012 | 3389 |
| 2106 1PT | 1093 | 1099 | 906 | 912 | 795 | 801 | 607 | 613 | 6825 | 6037 | 2099 | 577 | 1882 | 1116 | 1096 | 3373 |
| 2406 1PT | 1134 | 1146 | 947 | 958 | 835 | 847 | 648 | 659 | 7175 | 6387 | 2099 | 577 | 1882 | 1116 | 1099 | 3356 |
| 2106 2PT | 1113 | 1142 | 916 | 945 | 799 | 828 | 602 | 631 | 6975 | 6187 | 2099 | 577 | 1882 | 1116 | 1110 | 3383 |
| 2406 2PT | 1154 | 1189 | 957 | 992 | 840 | 875 | 642 | 677 | 7325 | 6537 | 2099 | 577 | 1882 | 1116 | 1112 | 3366 |

* Dimensions are referred to unit with antivibration mounted isolators.

Technical data

AQTH 2106-2406 Al/Cu All STD Version

| AQTH | Weight distribution | | | | | | | | Operating weight | Shipping weight | P1-P8 coordinates* | | | | CG coordinates | |
|----------|---------------------|------|-----|-----|-----|-----|-----|-----|------------------|-----------------|--------------------|-----|------|------|----------------|------|
| | F1 | F2 | F3 | F4 | F5 | F6 | F7 | F8 | | | a | b | e | f | x | y |
| | kg | kg | kg | kg | kg | kg | kg | kg | kg | kg | mm | mm | mm | mm | mm | mm |
| 2106 | 1021 | 707 | 808 | 495 | 683 | 369 | 470 | 156 | 4709 | 4671 | 2099 | 577 | 1882 | 1116 | 813 | 3608 |
| 2406 | 1046 | 737 | 831 | 522 | 703 | 395 | 489 | 180 | 4903 | 4865 | 2099 | 577 | 1882 | 1116 | 828 | 3591 |
| 2106 1P | 1057 | 777 | 823 | 543 | 685 | 405 | 452 | 171 | 4913 | 4875 | 2099 | 577 | 1882 | 1116 | 853 | 3640 |
| 2406 1P | 1082 | 807 | 846 | 571 | 706 | 431 | 470 | 195 | 5107 | 5069 | 2099 | 577 | 1882 | 1116 | 867 | 3623 |
| 2106 2P | 1011 | 800 | 812 | 601 | 694 | 483 | 494 | 283 | 5177 | 5333 | 2099 | 577 | 1882 | 1116 | 921 | 3520 |
| 2406 2P | 1049 | 830 | 842 | 623 | 720 | 501 | 513 | 294 | 5371 | 5333 | 2099 | 577 | 1882 | 1116 | 921 | 3520 |
| 2106 1PT | 1079 | 986 | 865 | 772 | 738 | 645 | 524 | 431 | 6040 | 5002 | 2099 | 577 | 1882 | 1116 | 1028 | 3479 |
| 2406 1PT | 1116 | 1028 | 900 | 812 | 771 | 684 | 555 | 467 | 6333 | 5295 | 2099 | 577 | 1882 | 1116 | 1034 | 3462 |
| 2106 2PT | 1111 | 1041 | 887 | 817 | 755 | 685 | 532 | 462 | 6289 | 5251 | 2099 | 577 | 1882 | 1116 | 1046 | 3480 |
| 2406 2PT | 1136 | 1071 | 910 | 845 | 776 | 711 | 550 | 485 | 6483 | 5445 | 2099 | 577 | 1882 | 1116 | 1051 | 3471 |

AQTH 2106-2406 Cu/Cu All STD Version

| AQTH | Weight distribution | | | | | | | | Operating weight | Shipping weight | P1-P8 coordinates* | | | | CG coordinates | |
|----------|---------------------|------|------|-----|-----|-----|-----|-----|------------------|-----------------|--------------------|-----|------|------|----------------|------|
| | F1 | F2 | F3 | F4 | F5 | F6 | F7 | F8 | | | a | b | e | f | x | y |
| | kg | kg | kg | kg | kg | kg | kg | kg | kg | kg | mm | mm | mm | mm | mm | mm |
| 2106 | 1115 | 801 | 911 | 597 | 790 | 476 | 587 | 273 | 5549 | 5511 | 2099 | 577 | 1882 | 1116 | 855 | 3496 |
| 2406 | 1148 | 840 | 943 | 635 | 821 | 513 | 616 | 307 | 5823 | 5785 | 2099 | 577 | 1882 | 1116 | 870 | 3477 |
| 2106 1P | 1151 | 870 | 926 | 646 | 793 | 512 | 568 | 288 | 5753 | 5715 | 2099 | 577 | 1882 | 1116 | 888 | 3528 |
| 2406 1P | 1184 | 910 | 958 | 683 | 824 | 549 | 597 | 322 | 6027 | 5989 | 2099 | 577 | 1882 | 1116 | 901 | 3508 |
| 2106 2P | 1118 | 893 | 922 | 698 | 806 | 582 | 611 | 387 | 6017 | 5979 | 2099 | 577 | 1882 | 1116 | 936 | 3440 |
| 2406 2P | 1152 | 933 | 954 | 735 | 837 | 618 | 640 | 421 | 6291 | 6253 | 2099 | 577 | 1882 | 1116 | 946 | 3425 |
| 2106 1PT | 1185 | 1092 | 980 | 887 | 858 | 765 | 653 | 560 | 6979 | 6191 | 2099 | 577 | 1882 | 1116 | 1036 | 3399 |
| 2406 1PT | 1219 | 1131 | 1012 | 924 | 889 | 801 | 683 | 595 | 7253 | 6465 | 2099 | 577 | 1882 | 1116 | 1042 | 3387 |
| 2106 2PT | 1204 | 1134 | 990 | 920 | 863 | 792 | 648 | 578 | 7129 | 6341 | 2099 | 577 | 1882 | 1116 | 1051 | 3408 |
| 2406 2PT | 1238 | 1174 | 1022 | 957 | 894 | 829 | 677 | 613 | 7403 | 6615 | 2099 | 577 | 1882 | 1116 | 1056 | 3397 |

* Dimensions are referred to unit with antivibration mounted isolators.

AQTC 2106-2406 Al/Cu All STD Version

| AQTC | Weight distribution | | | | | | | | Operating weight | Shipping weight | P1-P8 coordinates* | | | | CG coordinates | |
|------|---------------------|-----|-----|-----|-----|-----|-----|-----|------------------|-----------------|--------------------|-----|------|------|----------------|------|
| | F1 | F2 | F3 | F4 | F5 | F6 | F7 | F8 | | | a | b | e | f | x | y |
| | kg | kg | kg | kg | kg | kg | kg | kg | kg | kg | mm | mm | mm | mm | mm | mm |
| 2106 | 856 | 609 | 694 | 448 | 599 | 352 | 438 | 191 | 4187 | 4187 | 2099 | 577 | 1882 | 1116 | 846 | 3520 |
| 2406 | 873 | 628 | 714 | 470 | 620 | 376 | 462 | 217 | 4360 | 4360 | 2099 | 577 | 1882 | 1116 | 857 | 3492 |

AQTC 2106-2406 Cu/Cu All STD Version

| AQTC | Weight distribution | | | | | | | | Operating weight | Shipping weight | P1-P8 coordinates* | | | | CG coordinates | |
|------|---------------------|-----|-----|-----|-----|-----|-----|-----|------------------|-----------------|--------------------|-----|------|------|----------------|------|
| | F1 | F2 | F3 | F4 | F5 | F6 | F7 | F8 | | | a | b | e | f | x | y |
| | kg | kg | kg | kg | kg | kg | kg | kg | kg | kg | mm | mm | mm | mm | mm | mm |
| 2106 | 956 | 709 | 804 | 557 | 714 | 467 | 562 | 315 | 5084 | 5084 | 2099 | 577 | 1882 | 1116 | 889 | 3405 |
| 2406 | 956 | 715 | 806 | 564 | 716 | 475 | 566 | 324 | 5122 | 5122 | 2099 | 577 | 1882 | 1116 | 894 | 3399 |

AQTR 2106-2406 Al/Cu All STD Version

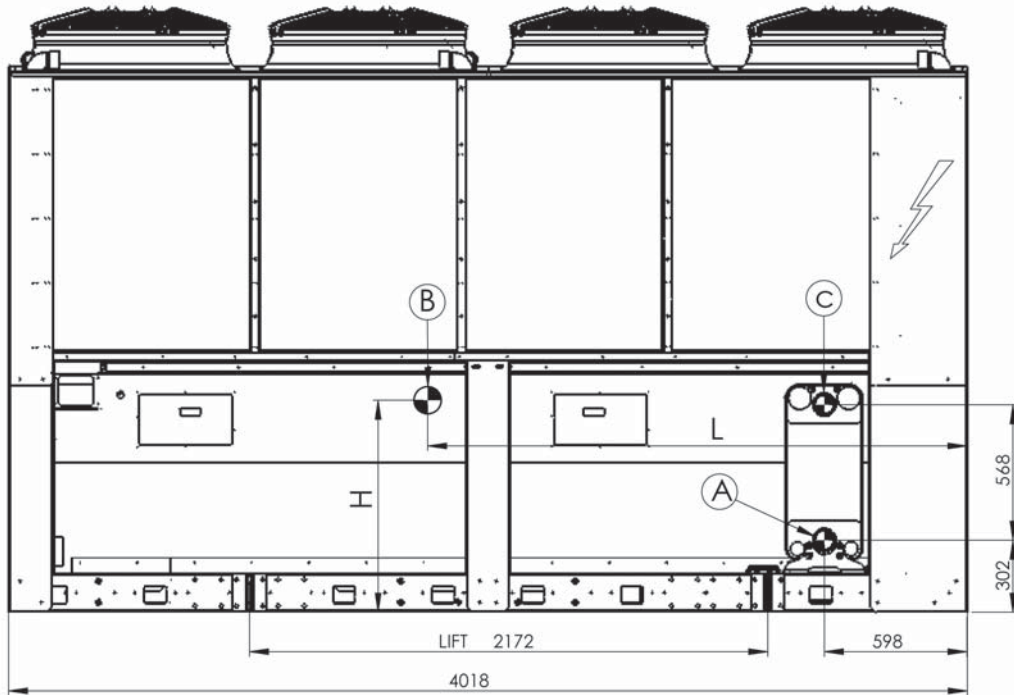
| AQTR | Weight distribution | | | | | | | | Operating weight | Shipping weight | P1-P8 coordinates* | | | | CG coordinates | |
|------|---------------------|-----|-----|-----|-----|-----|-----|-----|------------------|-----------------|--------------------|-----|------|------|----------------|------|
| | F1 | F2 | F3 | F4 | F5 | F6 | F7 | F8 | | | a | b | e | f | x | y |
| | kg | kg | kg | kg | kg | kg | kg | kg | kg | kg | mm | mm | mm | mm | mm | mm |
| 2106 | 1056 | 775 | 821 | 540 | 681 | 400 | 446 | 165 | 4883 | 4807 | 2099 | 577 | 1882 | 1116 | 851 | 3649 |
| 2406 | 1087 | 815 | 846 | 575 | 703 | 432 | 463 | 191 | 5112 | 5036 | 2099 | 577 | 1882 | 1116 | 870 | 3635 |

AQTR 2106-2406 Cu/Cu All STD Version

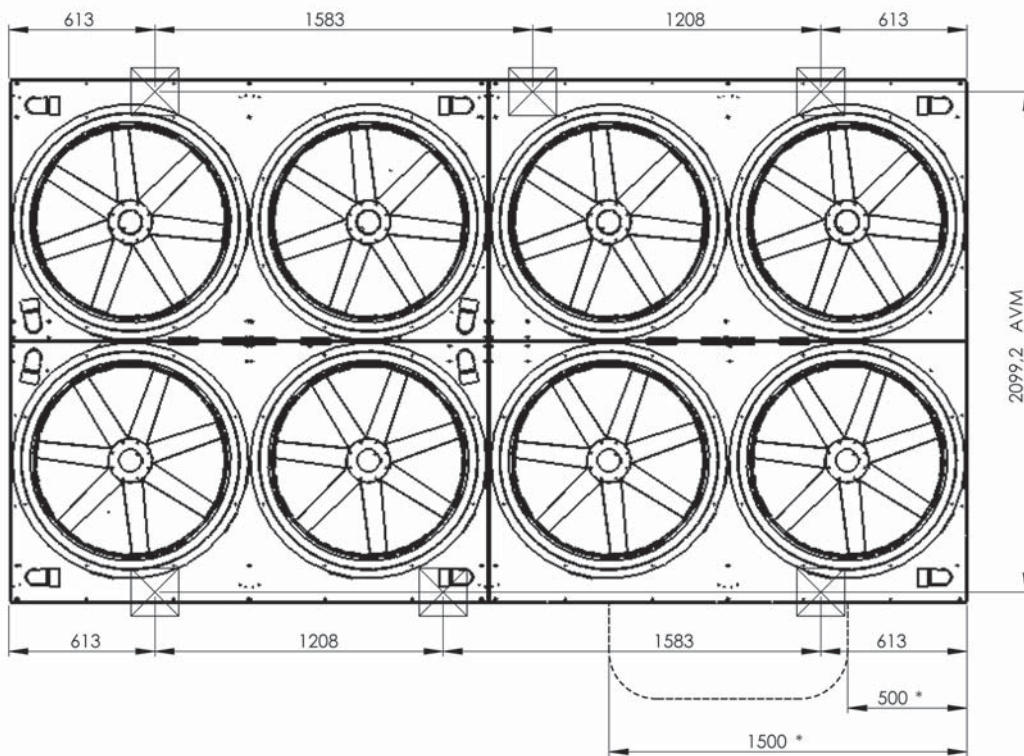
| AQTR | Weight distribution | | | | | | | | Operating weight | Shipping weight | P1-P8 coordinates* | | | | CG coordinates | |
|------|---------------------|-----|-----|-----|-----|-----|-----|-----|------------------|-----------------|--------------------|-----|------|------|----------------|------|
| | F1 | F2 | F3 | F4 | F5 | F6 | F7 | F8 | | | a | b | e | f | x | y |
| | kg | kg | kg | kg | kg | kg | kg | kg | kg | kg | mm | mm | mm | mm | mm | mm |
| 2106 | 1156 | 875 | 930 | 649 | 796 | 515 | 570 | 289 | 5780 | 5704 | 2099 | 577 | 1882 | 1116 | 888 | 3528 |
| 2406 | 1202 | 931 | 972 | 701 | 836 | 564 | 606 | 334 | 6146 | 6070 | 2099 | 577 | 1882 | 1116 | 907 | 3506 |

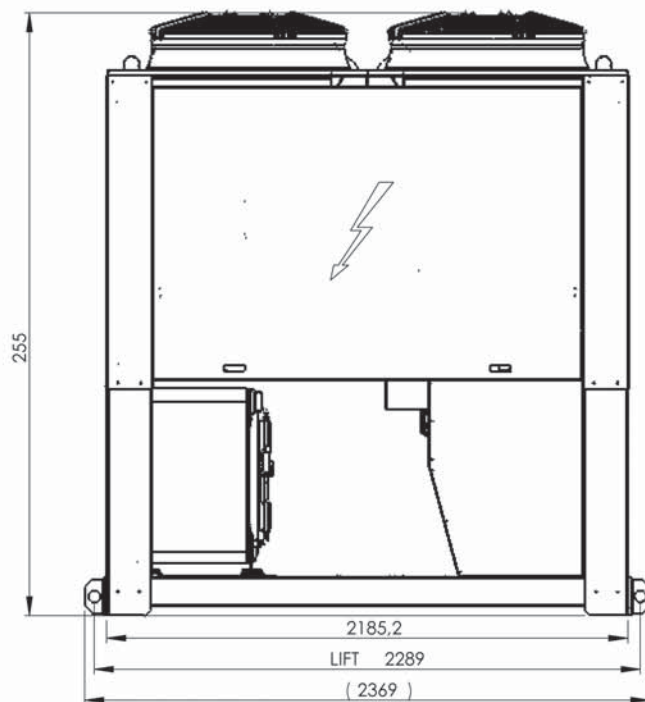
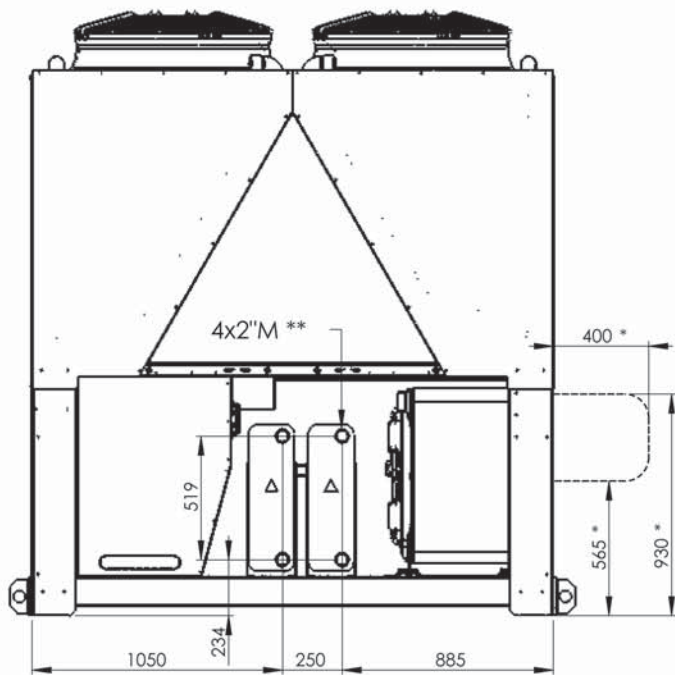
* Dimensions are referred to unit with antivibration mounted isolators.

8.6 Overall dimensions
AQTL/AQTH 1206-1806

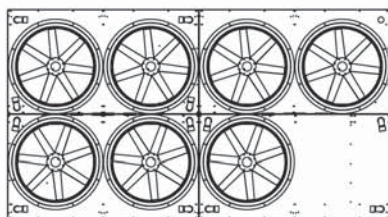


1806

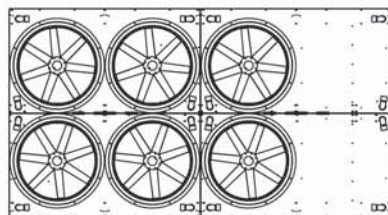




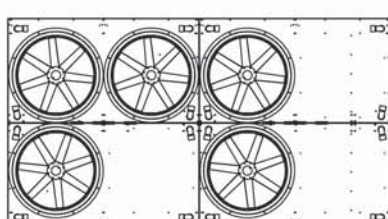
1656



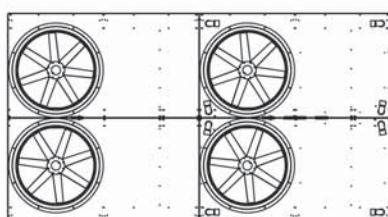
1506



1355



1206

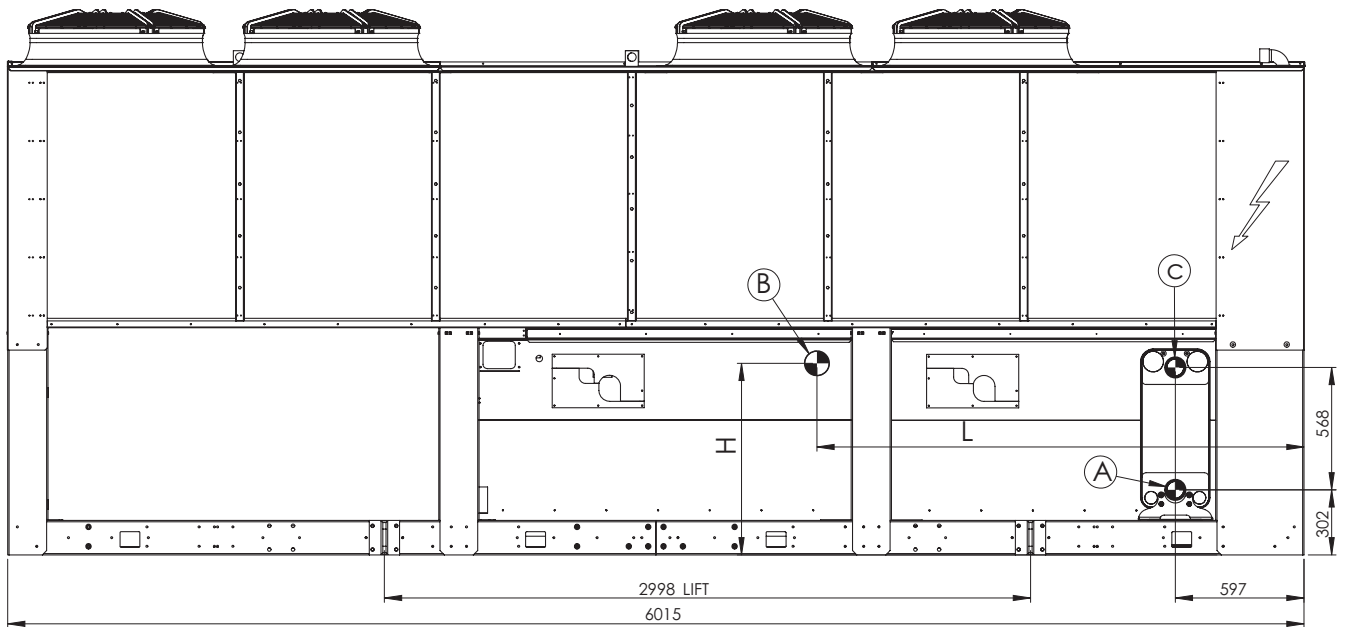


(*) Only with hydro pumps
(**) Only for desuperheater

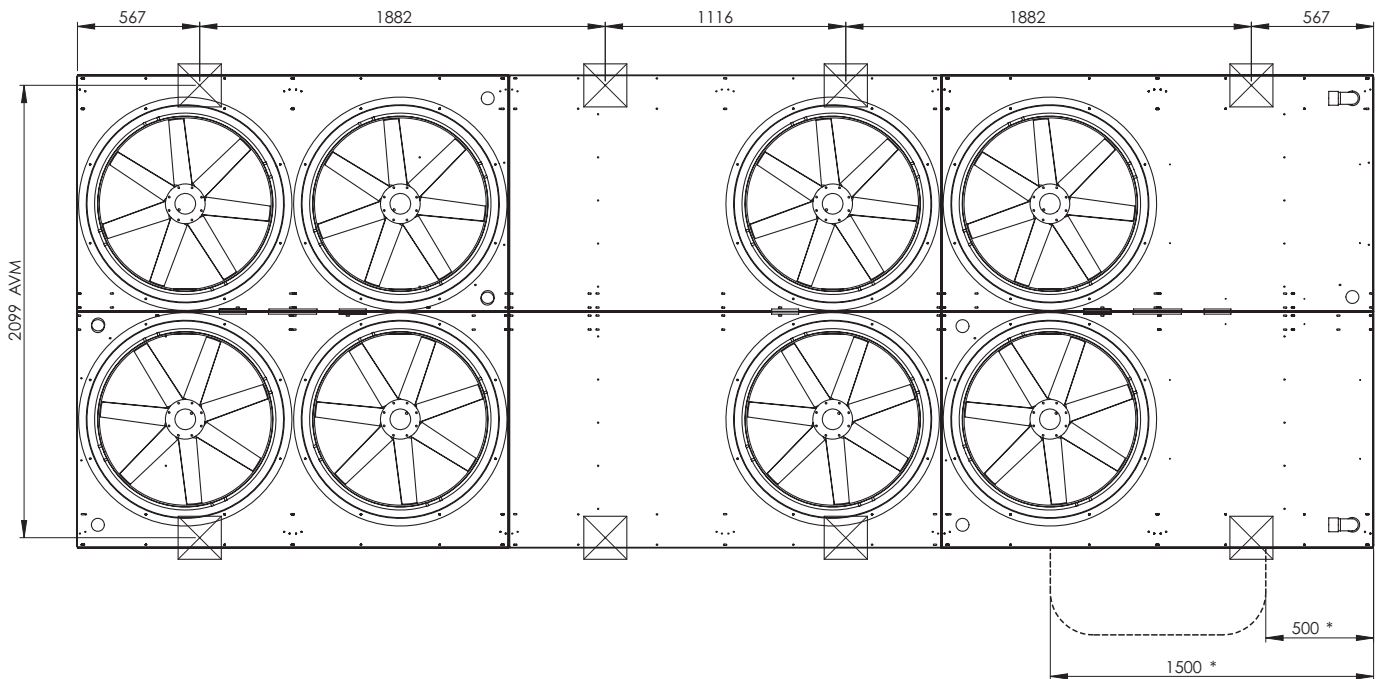
| WATER CONNECTION STANDARD | | |
|-------------------------------|-----|------|
| Water outlet "A" | 4" | |
| Water inlet "C" | 4" | |
| WATER CONNECTION HYDRO OPTION | | |
| | H | L |
| 1P-LP | 889 | 2260 |
| 1P-HP | | |
| 2P-LP | 343 | 2238 |
| 2P-HP | | |
| 750 L TANK | 414 | 1377 |
| Water inlet "B" | 4"M | |

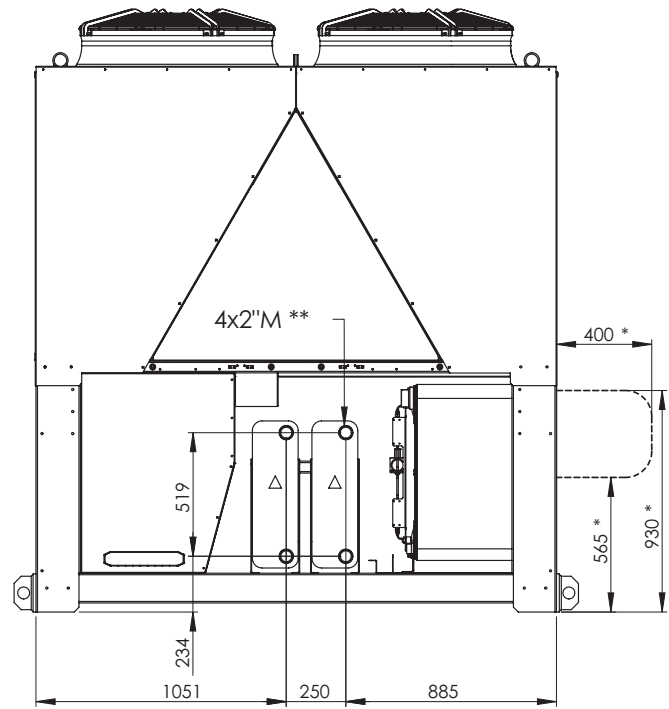
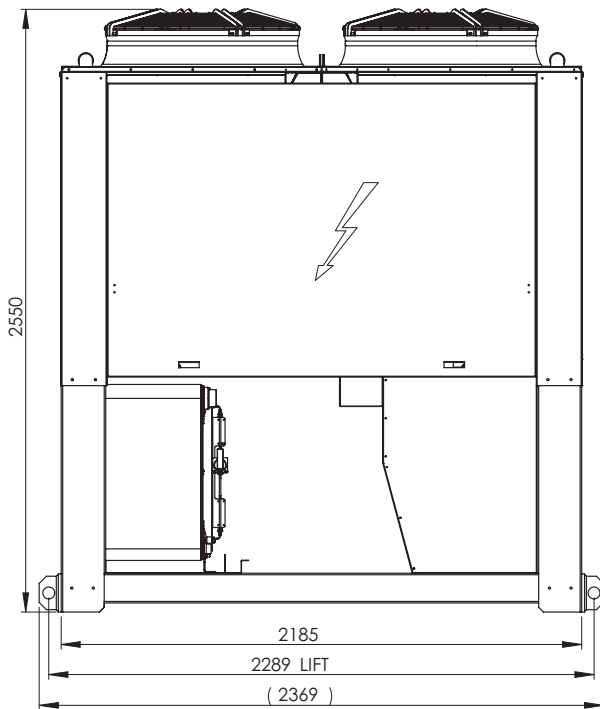
Technical data

AQTL/AQTH 1806 ELN AQTL/AQTH 2106-2406

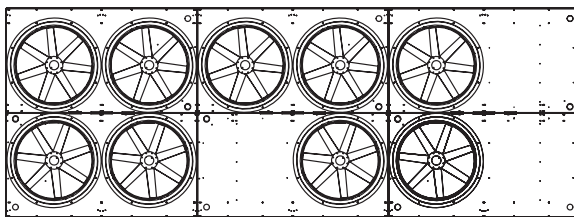


1806 ELN

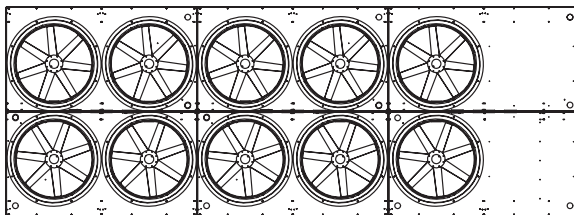




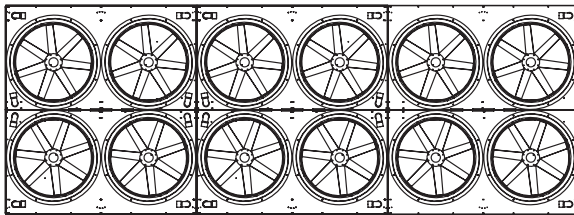
2106



2406
AQTL

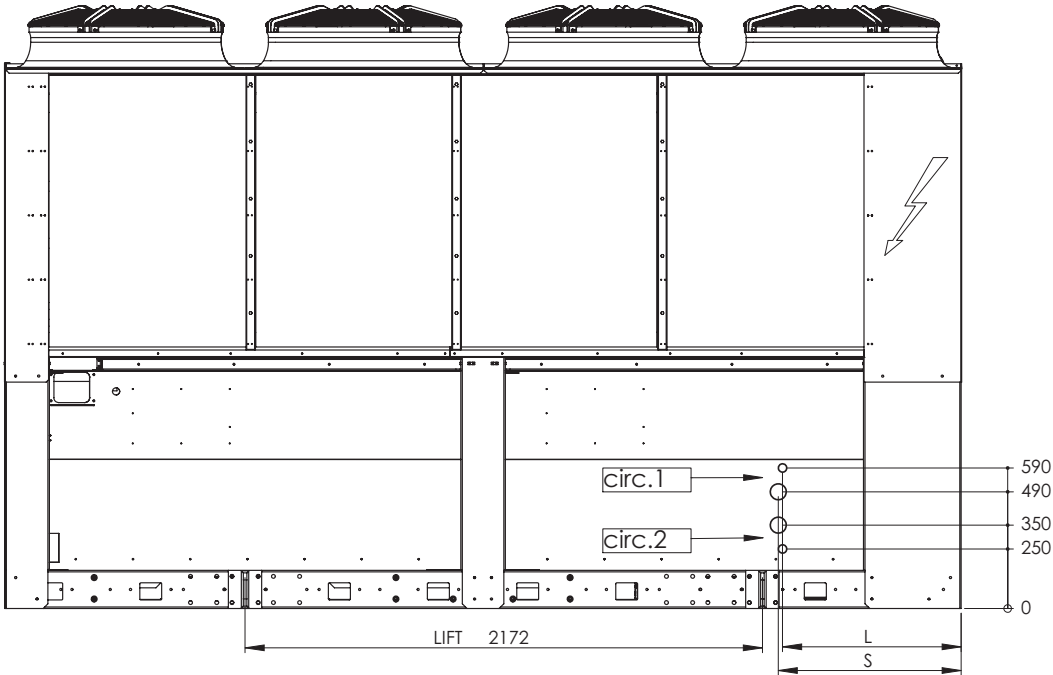


2406
AQTH

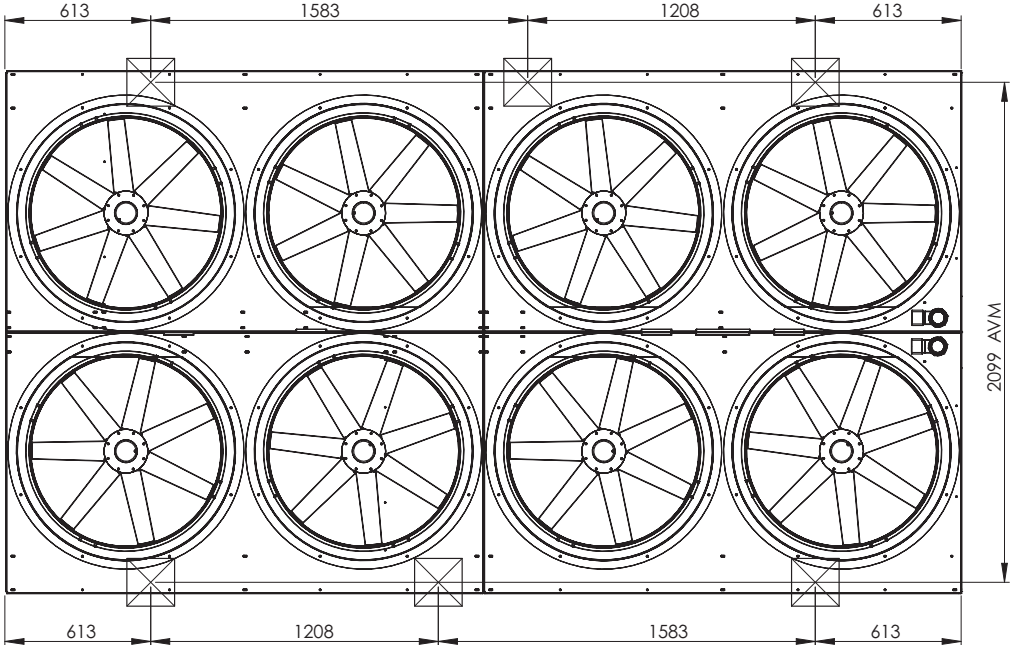


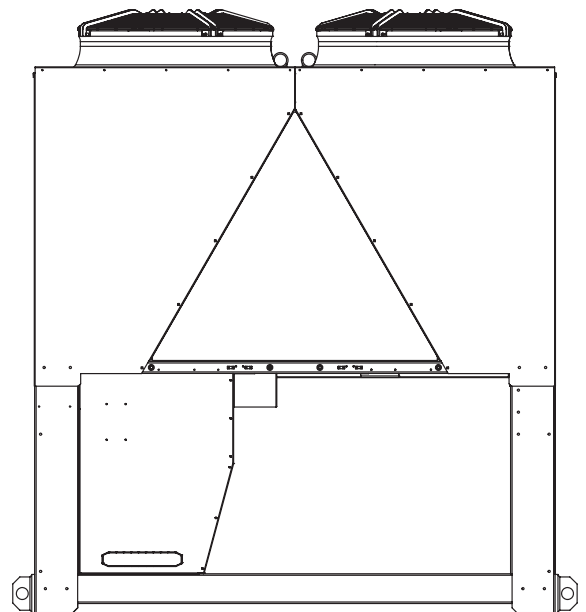
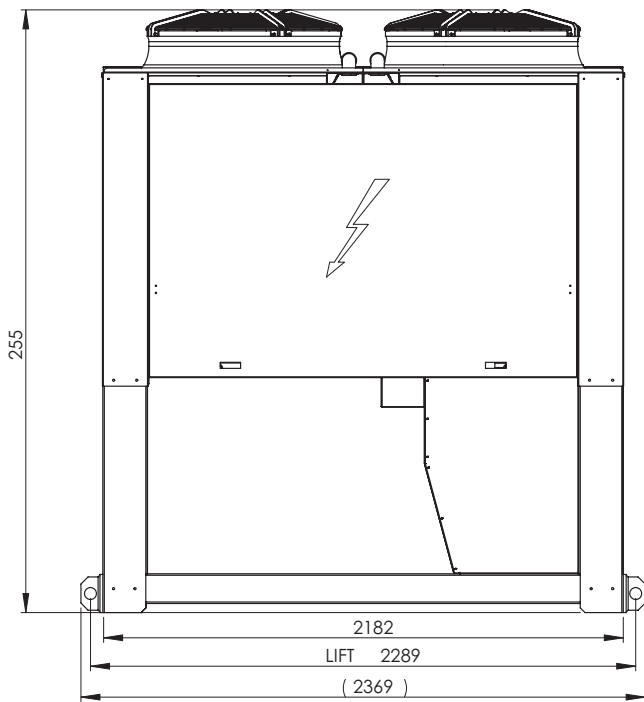
| WATER CONNECTION STANDARD | | |
|-------------------------------|-----|------|
| Water outlet "A" | 4" | |
| Water inlet "C" | 4" | |
| WATER CONNECTION HYDRO OPTION | | |
| | H | L |
| 1P-LP | 889 | 2260 |
| 1P-HP | | |
| 2P-LP | 343 | 2238 |
| 2P-HP | | |
| 750 L TANK | 414 | 1377 |
| Water inlet "B" | 4"M | |

AQTC 1206-1806

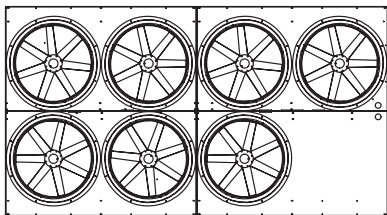


1806

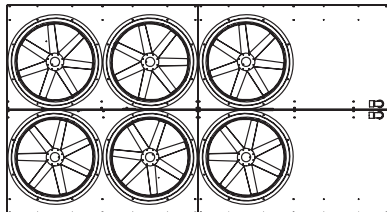




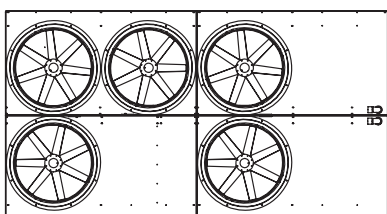
1656



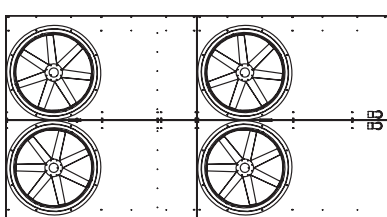
1506



1355



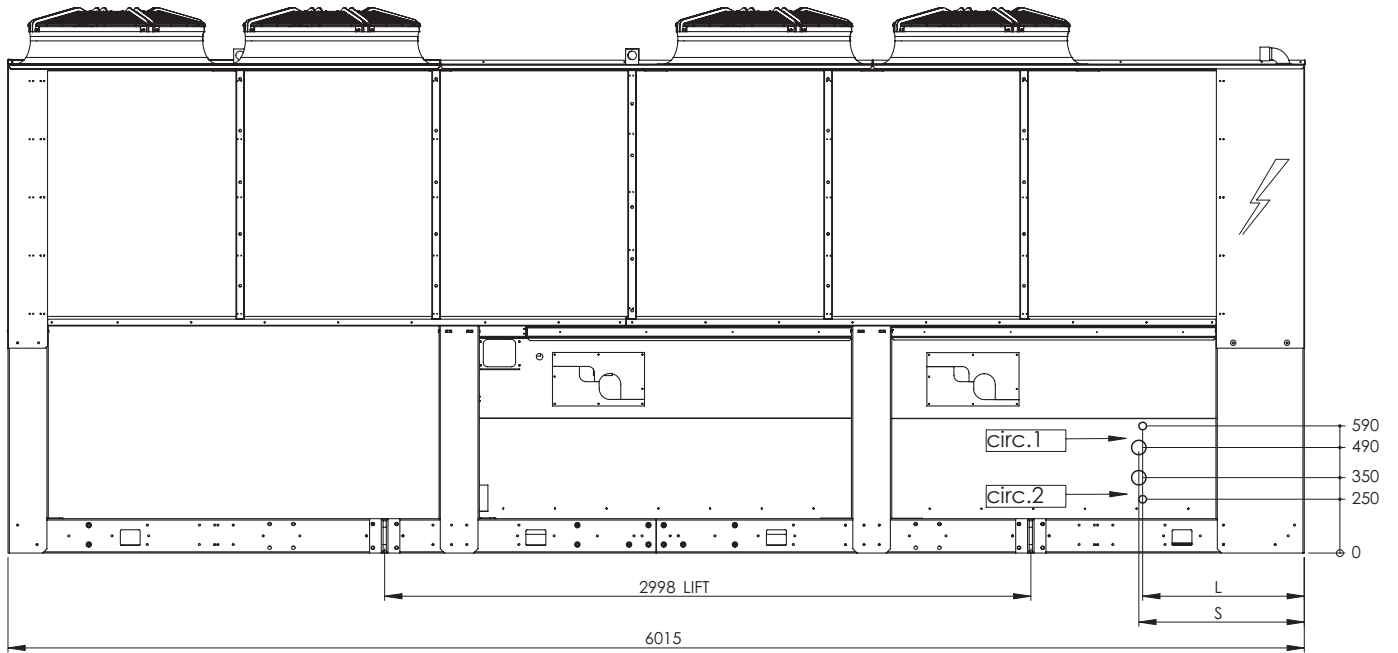
1206



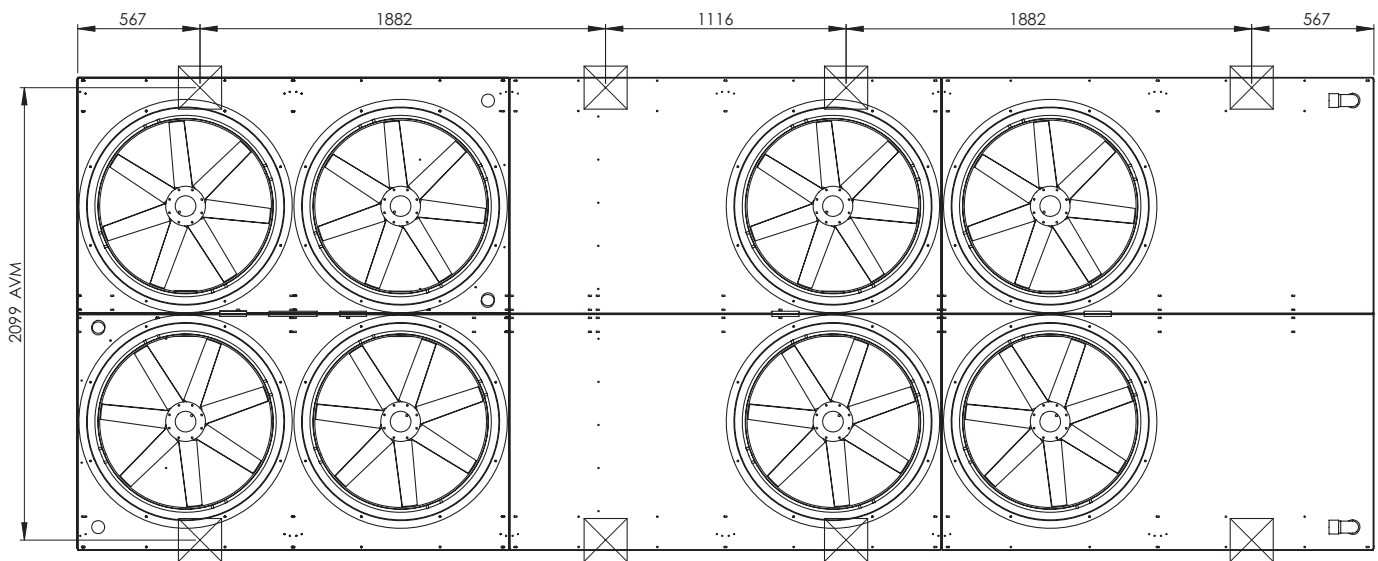
| REFRIGERANT CONNECTION | | | | |
|------------------------|-------------|-------|--------------|-------|
| | Liquid line | | Suction line | |
| | L (mm) | Ø | S (mm) | Ø |
| 1206-1506 | 735 | 1"1/8 | 735 | 2"1/8 |
| 1656-1806 | 750 | 1"3/8 | 750 | 2"5/8 |

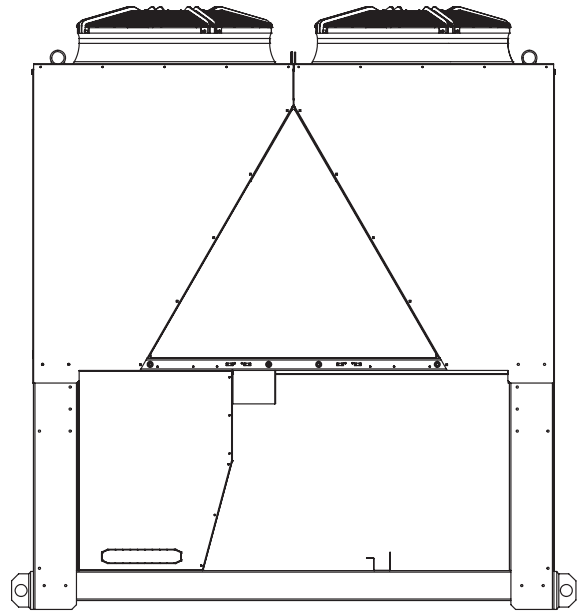
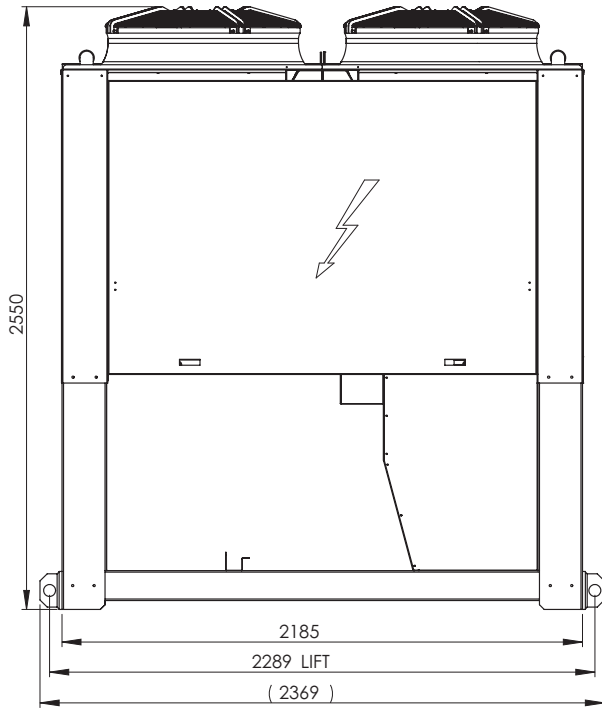
Technical data

AQTC 1806 ELN AQTC 2106-2406

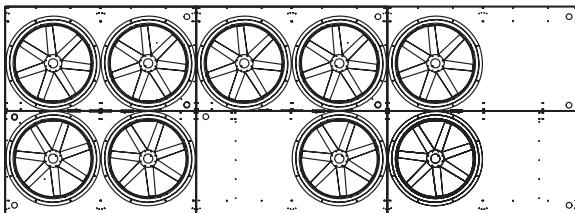


1806

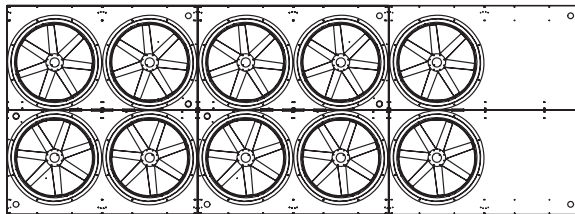




2106

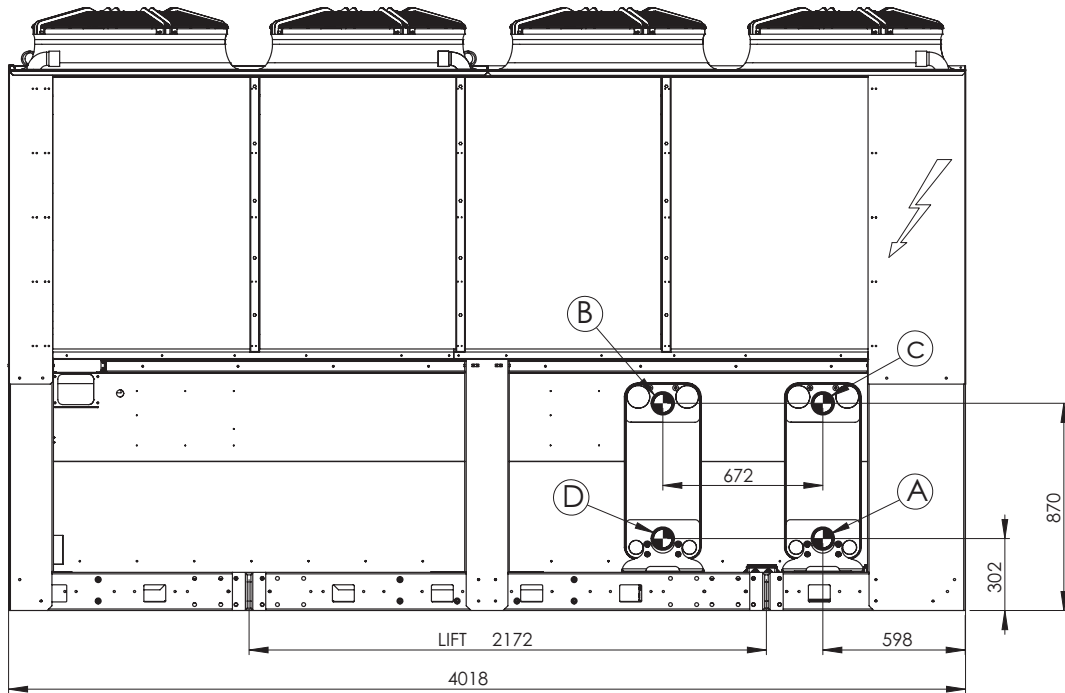


2406

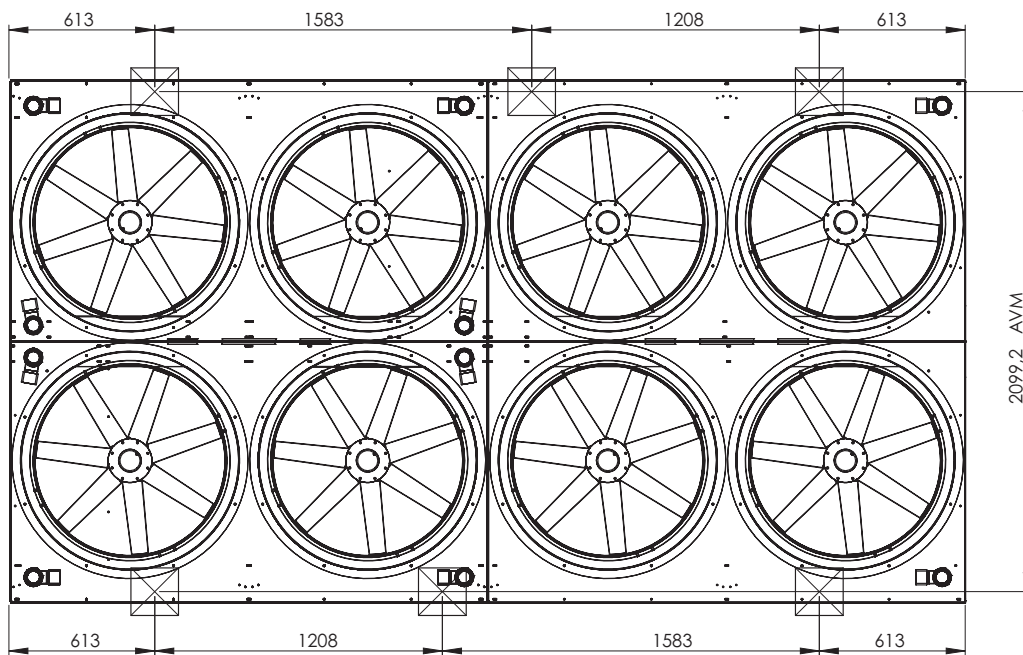


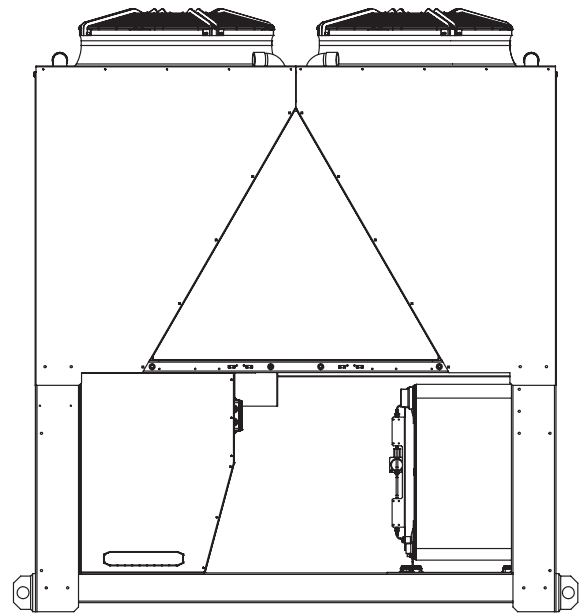
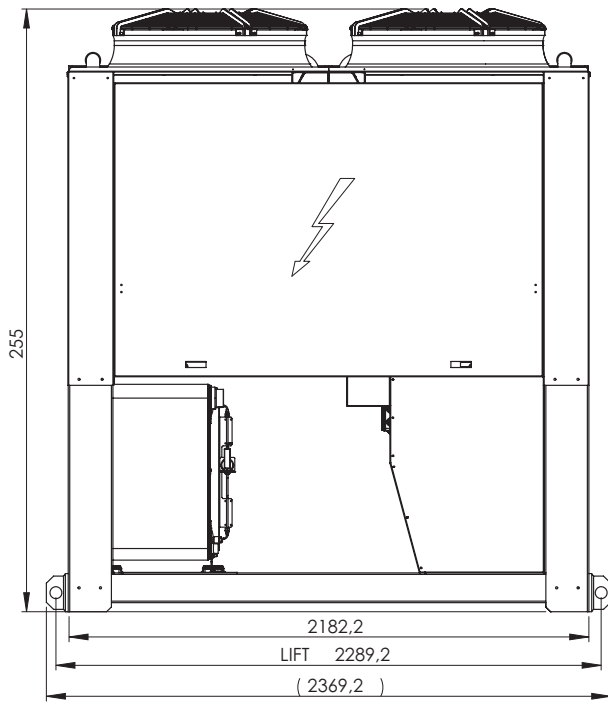
| REFRIGERANT CONNECTION | | | |
|------------------------|-------|--------------|-------|
| Liquid line | | Suction line | |
| L (mm) | Ø | S (mm) | Ø |
| 750 | 1"3/8 | 750 | 2"5/8 |

AQTR 1206-1806

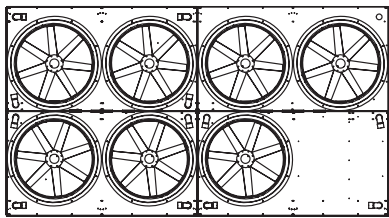


1806

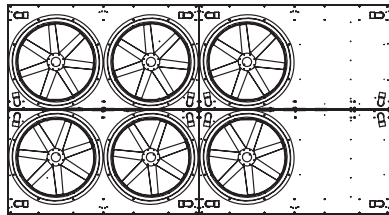




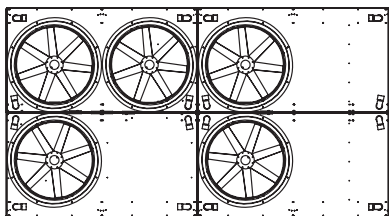
1656



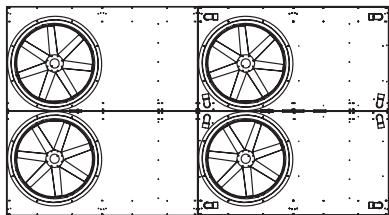
1506



1355



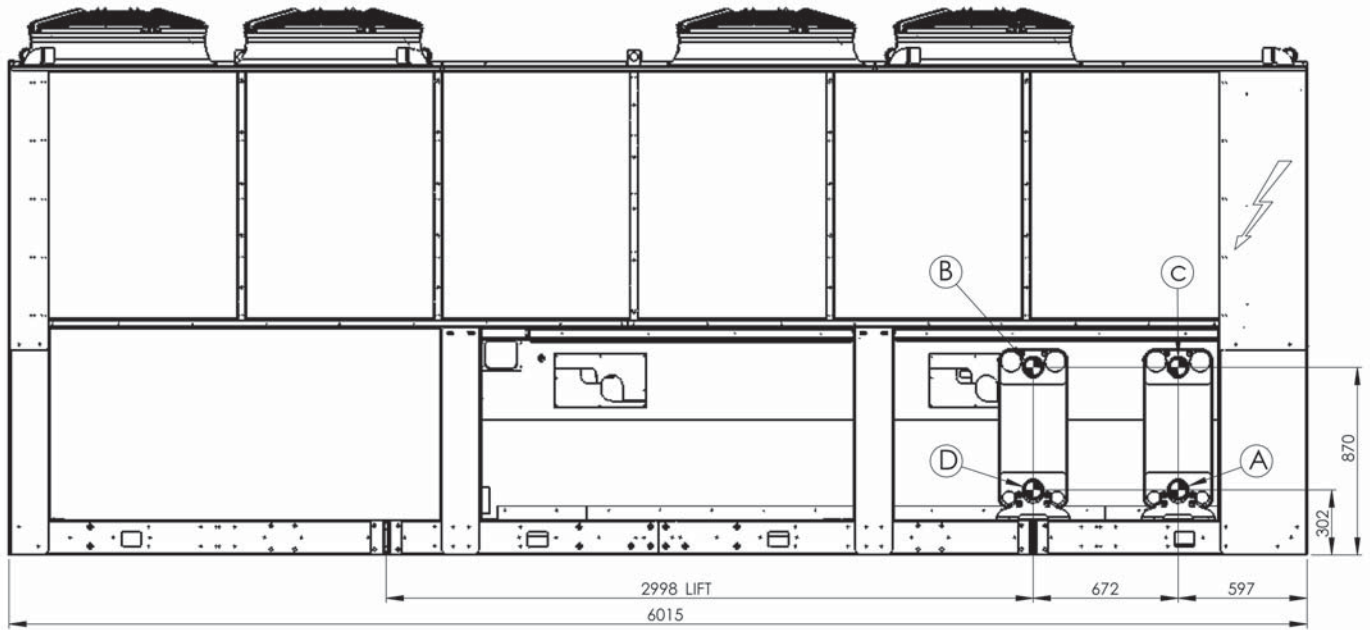
1206



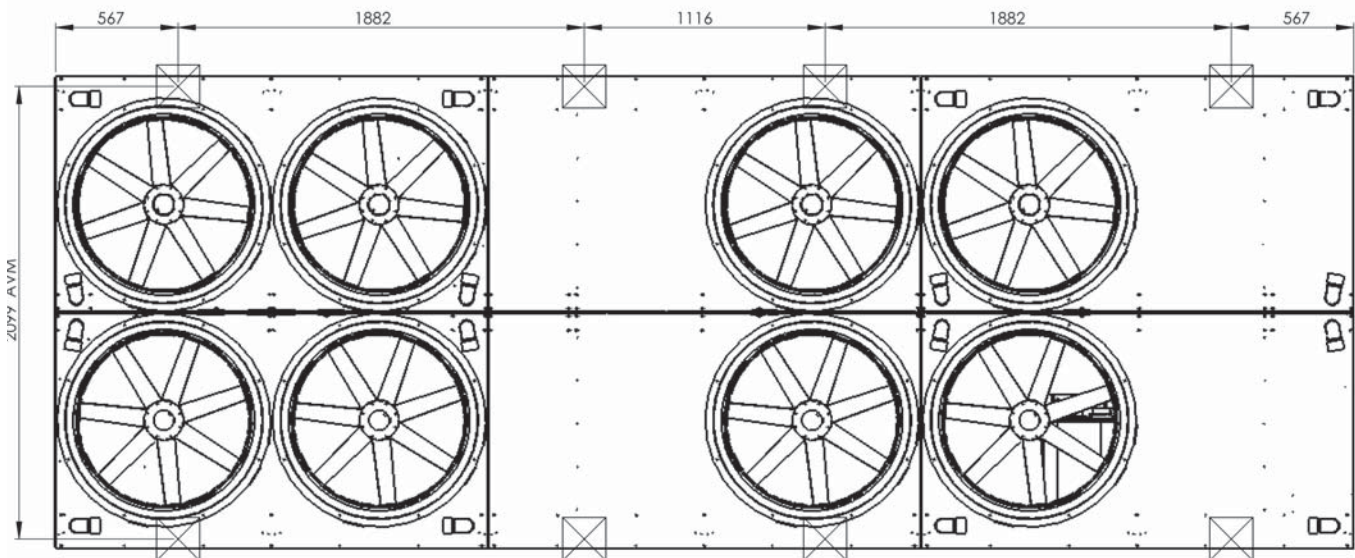
| WATER CONNECTION STANDARD | |
|----------------------------|----|
| Water outlet "A" | 4" |
| Water outlet (recover) "B" | 4" |
| Water inlet "C" | 4" |
| Water inlet (recover) "D" | 4" |

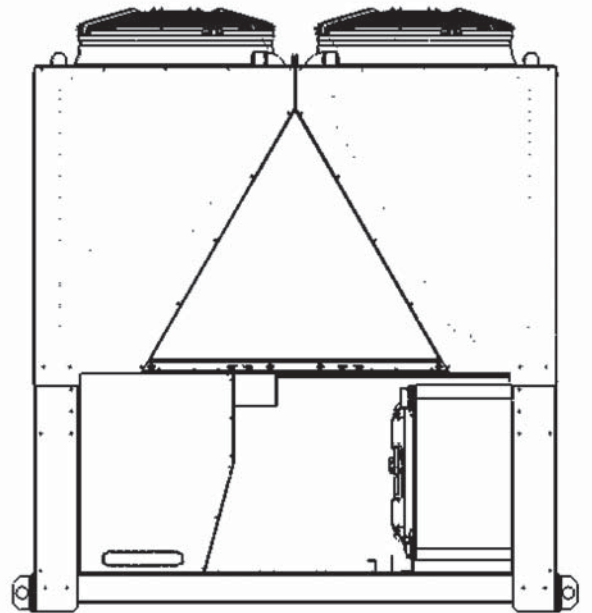
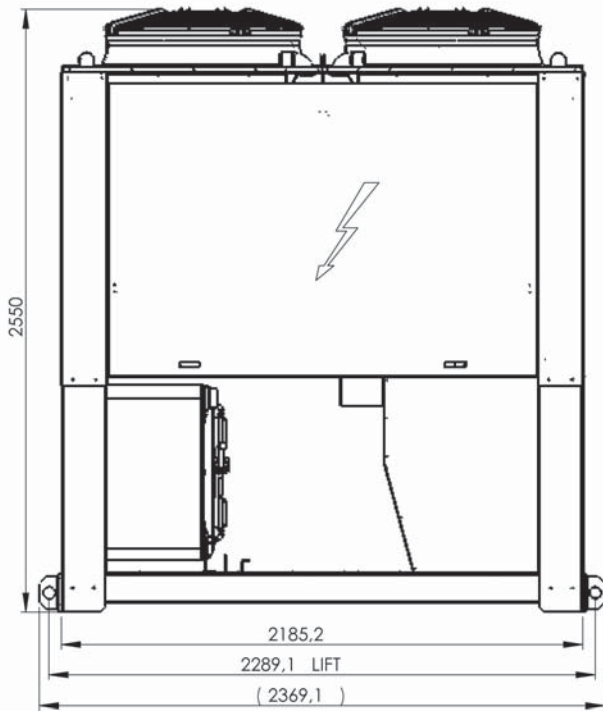
Technical data

AQTR 1806 ELN AQTR 2106-2406

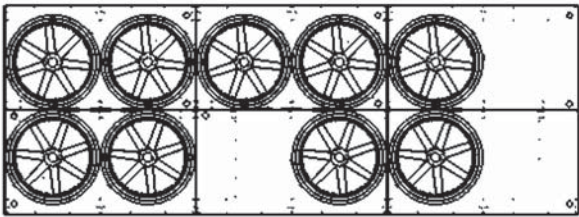


1806 ELN

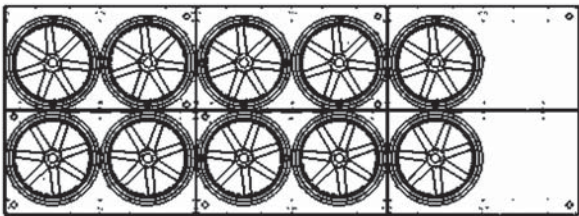




2106



2406

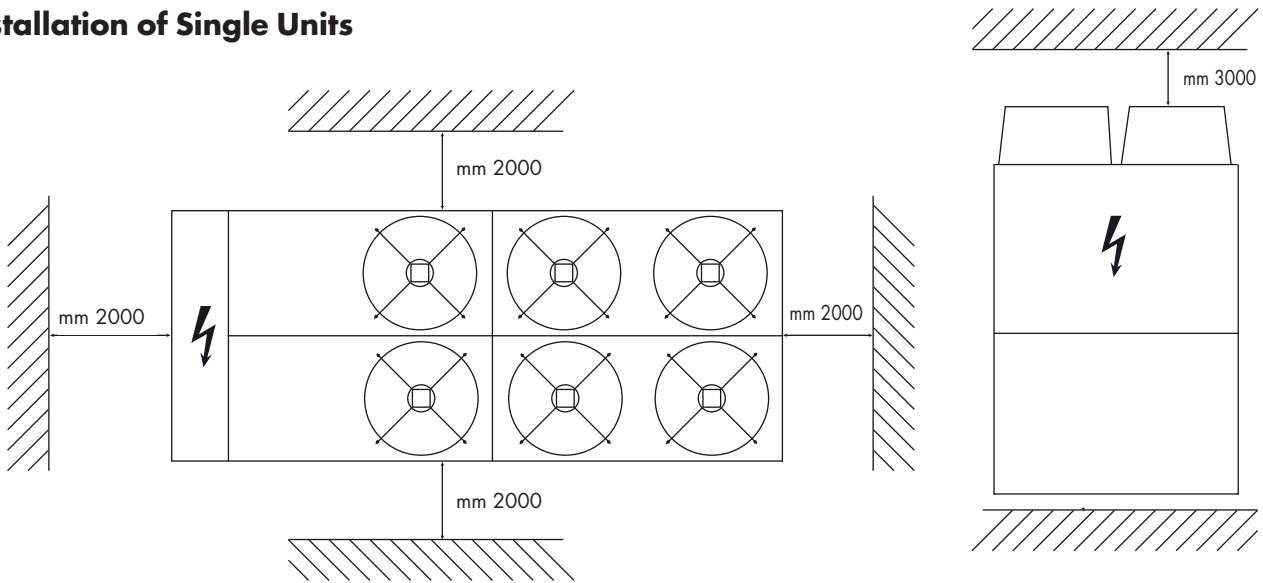


| WATER CONNECTION STANDARD | |
|----------------------------|----|
| Water outlet "A" | 4" |
| Water outlet (recover) "B" | 4" |
| Water inlet "C" | 4" |
| Water inlet (recover) "D" | 4" |

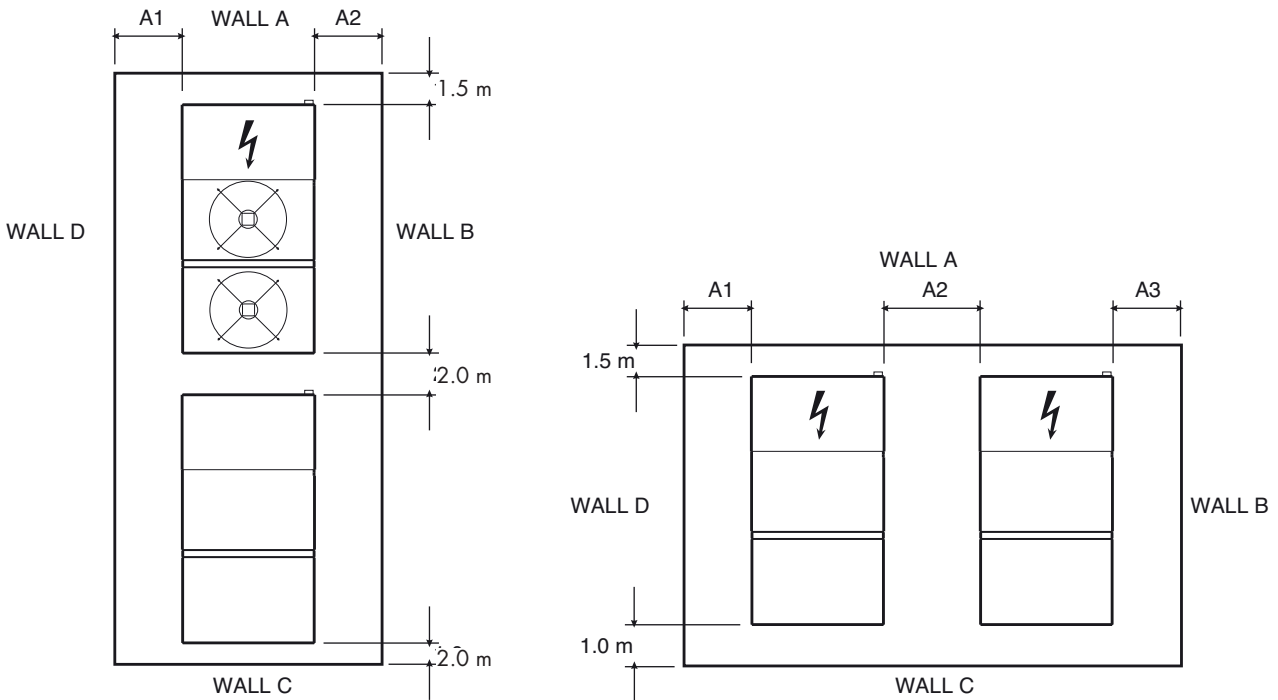
8.7 Service spaces

Units AQT All versions

Installation of Single Units



Installation of several Units



ARRANGEMENT 1

ARRANGEMENT 1

| | A and C SCREENED B and D SOLID | | | A and B SOLID C and D SOLID | | | B and D SCREENED A and C SOLID | | | A and B SCREENED C and D SOLID | | | A and D SCREENED B and D SOLID | | |
|-------------------|-----------------------------------|----|----|--------------------------------|----|-----|-----------------------------------|-----|-----|-----------------------------------|----|-----|-----------------------------------|----|----|
| | A1 | A2 | A3 | A1 | A2 | A3 | A1 | A2 | A3 | A1 | A2 | A3 | A1 | A2 | A3 |
| ARRANGEMENT 1 (m) | 2 | 2 | | 2 | 2 | 1.5 | 1.5 | 1.5 | 1.5 | 1 | 2 | 1.5 | 1.5 | 2 | |
| ARRANGEMENT 2 (m) | 2 | 2 | 2 | 2 | 2 | 2 | 1.5 | 2 | 1.5 | 1 | 2 | 2 | 2 | 2 | 2 |

A wall only may be higher than the units.
The area between the walls must be kept free from any obstacle which may hinder the free air inflow towards the unit(s).

9 MAINTENANCE

Carefully read the "Safety" section of this manual before carrying out any maintenance operations.



Do not discharge the refrigerant into the atmosphere while the refrigeration circuits are being drained. Use appropriate recovery equipment.

When the recovered refrigerant cannot be re-used, return it to the manufacturer.



Do not throw away the waste oil of the compressor, because it contains refrigerant in solution.

The waste oil must be returned to the manufacturer.

Unless otherwise specified, the operations described below may be carried out only by a trained maintenance operator.

9.1 General requirements

Airwell-Italia units have been designed for continuous operation, providing that they are subjected to regular maintenance, within the limits specified in this manual. Each unit must be serviced according to the programme by the User/Customer, and must be inspected at regular intervals by the personnel of one of Airwell-Italia's authorised Service Centers.

It is the responsibility of the User to meet these maintenance requirements and/or to enter into an agreement with one of Airwell-Italia's Service Centers, so as to properly safeguard the operation of the appliance.

During the warranty period, in case of damage or failures caused by improper maintenance, Airwell-Italia will not refund the costs incurred to repair the appliance in its original state.

The provisions of this section apply only to standard units; according to the order requirements, other documentation may be added, concerning any modifications or supplementary accessories.

9.2 Planned maintenance

Maintenance inspections must be carried out according to the program below, by a qualified person.

As a general rule, units cannot be repaired directly by the user, who shall not try to service or repair any failures or anomalies identified during daily inspections. If you are in doubt, please contact Airwell-Italia Service Centre.

Planned maintenance

| Operations | Daily | Weekly | Monthly | Beginning of season | End of season |
|---|-------|--------|---------|---------------------|---------------|
| Check the temperature of the leaving fluid | ● | | | | |
| Check the pressure drops in the heat exchanger | | ● | | | |
| Check for electric absorption | | ● | | | |
| Check suction pressure and temperature | | ● | | | |
| Check delivery pressure and temperature | | ● | | | |
| Check the oil level in the compressor | | ● | | | |
| Check that there are no gas bubbles in the liquid line | | ● | | | |
| Check that the fins of the external coil are clean (if any) | | | ● | | |
| Check the operation of the oil heaters | | | ● | | |
| Check the remote control switches | | | ● | | |
| Check the operation of the LP pressure switch | | | | ● | |
| Check the operation of the HP pressure switch | | | | ● | |
| Check the insulation of the heat exchanger | | | | ● | |
| Check that terminals are tightened | | | | ● | |
| Check that the terminals' screws are tightened | | | | ● | |
| Clean the exterior of the unit with water and soap | | | | ● | |
| Check the density of the antifreeze (if any) | | | | ● | ● |
| Check the operation of the flow switches | | | | ● | |
| Check the operation of the solenoid valve | | | | ● | ● |

9.3 Refrigerant charge



Do not inject refrigerant liquid into the LP side of the circuit. Be very careful, and charge the circuit properly. If the charge is insufficient, the efficiency of the unit will be lower than expected. In the worst of cases the LP pressure switch may be activated, resulting in the halting of the unit.

In the presence of an excess charge, the condensing pressure will rise (in the worst of cases, the HP pressure switch may be activated, resulting in the stop of the equipment), and the consumption will increase as well.



It is strictly forbidden to use the compressor as a vacuum pump to drain the plant.

Fill the refrigeration circuit after it has been drained for maintenance purposes (leaks, replacement of the compressor etc.). The amount of the charge is indicated on the plate affixed to the unit.

Before refilling, it is important to drain and de-hydrate the circuit, thus obtaining a minimum abs. pressure value of 50 Pa.

Inject the refrigerant fluid before removing the vacuum, then fill the circuit up to 90% of the total gas requirement (in liquid form). The appliance must be filled through the filling valve on the liquid line, on the outlet side of the condenser.

It is recommended to connect the refrigerant cylinder to the filling valve on the liquid line, and to arrange it in such a way as to inject only liquid refrigerant.

Then start the compressor and let the gas flow from the cylinder, up until the liquid flow, which can be observed through the sight glass, is limpid.

9.4 Compressor

Compressors are delivered with the necessary charge of lubricating oil. During normal operation, this charge is sufficient for the whole life of the unit, providing that the efficiency of the refrigeration circuit is satisfactory and if it has not been overhauled.

If the compressor needs to be replaced (following a mechanical failure or if burnt), contact one of Airwell-Italia's Service Centers.



Compressors use polyester oil. During maintenance operations on the compressor, or if you have to open the refrigerant circuit in any point, remember that this type of oil is highly hygroscopic, and accordingly it is important that it is not left exposed to the weather for prolonged periods, as this would require the replacement of the oil.

9.5 Condenser

The condenser's coils consist of copper pipes and aluminium fins. In the presence of leaks caused by any damage or shock, the coils shall be repaired or replaced by one of Airwell-Italia's authorised Service Centers. To ensure the effective and correct operation of the condenser coils, it is important to keep the condenser's surface perfectly clean, and to check that there is no foreign matter, such as leaves, wires, insects, waste etc. If the coil becomes dirty, there is an increase in the absorption of electric energy. Furthermore, the maximum pressure alarm may be activated and may halt the unit.



Be careful not to damage the aluminium fins during cleaning.

The condenser must be cleaned with a LP compressed air jet, parallel to the aluminium fins, in the direction opposite to the air circulation.

To clean the coil you can use also a vacuum cleaner, or a jet of water and soap.

9.6 Fans

The fans of the condenser, of axial type, are complete with impeller with aerodynamic profile blades and a cylindrical nozzle. The motor's bearings are lubricated forever.

Before starting the appliance, after any maintenance operations involving the disconnection of 3-phase connections, check that the direction of rotation of the fans is the one indicated by the arrow (upward air current). If the direction of rotation is wrong, invert two of the three supply phases to the motor.

9.7 Dehydrating filter

The refrigeration circuits are provided with dehydrating filters.

The filter clogging is marked by the presence of air bubbles in the sight glass, or by the difference between the temperatures measured downstream from and upstream of the drying filter. If, once the cartridge has been cleaned, there are still some air bubbles, the appliance has lost a part of the refrigerant charge in one or more points, that must be identified and serviced.

9.8 Sight glass

The sight glass is used for inspecting the refrigerant flow and the humidity % of the refrigerant. The presence of bubbles indicates that the dehydrating filter is clogged or the charge insufficient.

A colour indicator is positioned inside the sight glass. If you compare the colour of the indicator to the scale on the ring of the sight glass, you can calculate the percentage of humidity of the refrigerant. If it is excessive, replace the filter's cartridge, operate the appliance for 1 day and then check the humidity % again. When the humidity % is within the pre-determined range, no other operations are required. If the humidity % is still too high, replace the dehydrating filter again, start the unit and operate it for another day.

9.9 Electronic expansion valve

The circuit of the unit is equipped with Electronic expansion valve.

The valve is calibrated for an overheating of 6°C.

Procedure to check for overheating:

- Measure the suction pressure with the pressure gauges on the board of the unit or using a pressure gauge connected to the service valve on the suction side.
- From the pressure gauge's temperature scale, measure the saturated suction temperature (T_{sa}) which corresponds to the pressure value.
- Using a contact pressure gauge affixed to the outlet fitting of the gas of the evaporator, measure the actual temperature (T_{se}).

Overheating calculation (S):

$$S = T_{se} - T_{sa}$$

Overheating is regulated through the expansion valve.

If the Electronic expansion valve cannot be regulated, it is probably broken, and shall be replaced. The replacement must be carried out by a Service Centre.

9.10 Evaporator

Check at regular intervals that the water side of the heat exchanger is perfectly clean. To do this, measure the pressure drop, water side (see Section 8) or measure the temperature of the liquid leaving and entering the heat exchanger, and compare it to the evaporation temperature.

To obtain an effective heat exchange, the difference between the temperature of the leaving water and the saturated evaporating temperature must be in the 2 - 4°C range. A greater difference would indicate a low efficiency of the heat exchanger (i.e. the heat exchanger is dirty).

In this case, the heat exchanger must be subjected to chemical cleaning, an operation that shall be carried out by authorised engineers.

For other maintenance operations (extraordinary overhauling, replacement of the heat exchanger etc.), contact an authorised Service Centre.

10 TROUBLESHOOTING

The table below lists the anomalies of operation of the unit, the relevant causes and the corrective measures. For anomalies of any other type or not listed, contact one of Airwell-Italia's Service Centre for technical assistance.

| Anomaly | Cause | Operation |
|---|---|--|
| The unit continues to work, but without cooling. | Insufficient charge of refrigerant. | Refill. |
| | The dehydrating filter is clogged. | Replace. |
| Ice on the suction line. | Wrong calibration of overheating. | Increase overheating. |
| | | Check the charge. |
| Excessive noise. | Vibration of lines. | Check the clamping brackets, if any. |
| | Whistler emitted by the thermostatic expansion valve. | Refill. |
| | | Check the dehydrating filter. |
| | Noisy compressor. | Seized bearings; replace the compressor. |
| Check that the compressor's locknuts are tightened. | | |
| Low oil level in the compressor. | One or more gas or oil leaks in the circuit. | Identify and remove leaks. |
| | Mechanical failure of the compressor. | Request the intervention of a Service Centre. |
| | Anomaly of the oil heater of the compressor's base. | Check the electric circuit and the resistor of the heater of the motor base, and replace defective components. |

| Anomaly | Cause | Operation |
|---|--|--|
| One or both compressors are not working. | Breaking of the electric circuit. | Check the electric circuit and detect any ground dispersions and short circuits. Check fuses. |
| | Intervention of the HP pressure switch. | Reset the pressure switch and the control panel and restart the appliance. Identify and remove the cause that enabled the pressure switch. |
| | The fuse of the control circuit is broken. | Check for ground dispersions and short circuits. Replace fuses. |
| | Loosened terminals. | Check and tighten. |
| | Halt caused by thermal overload of the electric circuit. | Check the operation of check and safety devices. Identify and remove the cause. |
| | Wrong wiring. | Check wiring of check and safety devices. |
| | The line voltage is too low. | Check voltage. If problems regard the system, solve them. If they are caused by the distribution network, inform the Energy Distributor. |
| | Short-circuit of the compressor's motor. | Check the continuity of the winding. |
| Activation of the LP alarm, stop of the unit. | Seized compressor. | Replace the compressor. |
| | Gas leak. | Identify and remove the leak. |
| | Insufficient charge | Refill. |
| Activation of the HP alarm, stop of the unit. | Failure of the pressure switch. | Replace the pressure switch. |
| | The delivery valve is partially closed. | Open the valve and replace it, if faulty. |
| | Substances with condensable gases in the circuit. | Drain the circuit. |
| | The fan of the condenser is stopped. | Check cables and motor. If defective, repair or replace. |
| The liquid line is too hot. | Insufficient charge. | Identify and remove the cause of the loss of charge and refill. |
| Frosting of the liquid line. | The valve of the liquid line is partially closed. | Check that valves are open. |
| | The liquid filter is clogged. | Replace the cartridge or the filter. |

11 SPARE PARTS

11.1 Spare part list

The table below shows the list of spare parts recommended during the first two years of operation.

| Component | Number |
|------------------------------|--------|
| HP pressure switch | 1 |
| LP pressure switch | 1 |
| Gas filter | 2 |
| Electronic expansion valve | 2 |
| Auxiliary relays | 2 |
| Fan's fuses | 6 |
| Compressor's fuses | 6 |
| Auxiliary fuses | 6 |
| Set of compressor contactors | 1 |
| Fan's contactor | 1 |
| Water sensor | 1 |
| Air sensor | 1 |
| Electronic card | 1 |
| Keyboard | 1 |
| Compressor oil resistor | 1 |

11.2 Oil for compressors

The compressors are lubricated with polyester oil (P.O.E.).

11.3 Wiring diagrams

The wiring diagrams are installed inside the doors of the electrical panels of the unit. Any request for wiring diagrams shall be forwarded to Airwell-Italia's Service Centre.

Dismantling, Demolition and Scrapping

12 DISMANTLING, DEMOLITION AND SCRAPPING



During the draining of the refrigeration circuits, do not let the refrigerant overflow in the surrounding atmosphere. The circuit must be drained using suitable recovery equipment.



Do not disperse the waste oil of the compressors in the environment, since it contains some dissolved refrigerant.

For the disposal, contact the competent authority for information.

Unless otherwise specified, the maintenance operations listed below may be carried out by any trained maintenance operator.

12.1 Generalities

Open each line that supplies the unit, including the ones of control circuits. Make sure that all disconnecting switches are secured in the off position. The power cables can be disconnected and disassembled. Refer to Chapter 4 for the position of connection points.

Remove all the refrigerant from the refrigeration circuits of the unit and store it in suitable containers, using a recovery unit. If its characteristics have remained the same, the refrigerant can be used again. Contact the competent authority to obtain information about disposal. In **NO** event shall the refrigerant be discharged into the atmosphere. The oil in each refrigeration circuit must be drained and collected into a suitable container; then it shall be disposed of in conformity with local regulations that apply to the disposal of waste lubricants. Any oil spillage must be recovered and disposed of in like manner.

Isolate the unit's heat exchangers from the external hydraulic circuits and drain the heat exchange sections of the plant.



If no shutoff valves have been provided, it may be necessary to drain the whole plant. If a glycoled solution or a similar fluid has been used in the hydraulic circuits, or if chemical additives have been added to the circulating water, the circulating fluid MUST be drained in a proper way. For NO reason shall a circuit containing glycoled water or a similar solution be discharged directly into the drains or surface waters.

After draining operations, the piping of the hydraulic networks can be disconnected and disassembled.

Once they have been disconnected as specified, the packaged units can be disassembled in a single piece. First of all, disassemble the anchoring screws and then lift the unit from the position of installation, and hook it to the lifting points provided, using suitable lifting equipment.

To this end, refer to Chapter 4 for the installation of these appliances, to Chapter 8 for their weights and Chapter 3 for handling.

The units that, once disconnected, cannot be removed in a single piece, must be dismantled on site; in this case, be very careful with the weight and handling of every single component.

It is always advisable to dismantle the units following the installation steps, but in reverse.



Some residues of oil, glycoled water or similar solutions may remain in certain parts of the unit. These residues must be recovered and disposed of according to the procedures specified above.

It is very important to ensure that, while a component of the unit is being removed, all the others are properly supported.



Use only lifting means of adequate capacity.

Once disassembled, the components of the unit can be disposed of in conformity with current regulations.



DICHIARAZIONE ^(C) DI CONFORMITA'
AI SENSI DELLA DIRETTIVA 98/37/CE ALLEGATO II A
CONFORMITY DECLARATION ^(C)
IN COMPLIANCE WITH DIRECTIVE 98/37/EC ANNEX II A
DECLARATION DE CONFORMITE ^(C)
AUX TERMES DE LA DIRECTIVE 98/37/CE PIECE JOINTE II A
KONFORMITÄTSERKLÄRUNG ^(C)
GEMÄß DER RICHTLINIE 98/37/EG ANLAGE II A
DECLARACIÓN ^(C) DE CONFORMIDAD
SEGÚN LA DIRECTIVA 98/37/CE ANEXO II A

NOI / WE / NOUS / : **Airwell Italia S.r.l.**
WIR / NOSOTROS / : Via XXV Aprile N° 29 – 20030 Barlassina (MI) ITALY

DICHIARIAMO SOTTO LA NOSTRA SOLA RESPONSABILITA' CHE LA MACCHINA
DECLARE ON OUR SOLE RESPONSIBILITY THAT THE MACHINE
DECLARONS SEULEMENT SOUS NOTRE RESPONSABILITE QUE LA MACHINE
ERKLÄREN AUSSCHLIEßLICH AUF UNSERE EIGENE VERANTWORTUNG, DAß DIE MASCHINE
DECLARAMOS BAJO NUESTRA SOLA RESPONSABILIDAD QUE LA MÁQUINA

DESIGNAZIONE / NAME / DENOMINATION / BEZEICHNUNG / DESIGNACIÓN: :
TIPO / TYPE / TYPE / MODELL / TIPO
N°SERIE / LOTTO DI PRODUZIONE :
SERIAL NUMBER / PRODUCTION LOT
NUMERO SERIEL / LOT DE PRODUCTION :
SERIENNUMMER / HERSTELLUNGSLOS /
N° SERIE / LOTE DE PRODUCCIÓN
ANNO DI COSTRUZIONE :
YEAR OF MANUFACTURE / ANNEE DE CONSTRUCTION
HERSTELLUNGSJAHR / AÑO DE CONSTRUCCION



E' CONFORME A QUANTO PRESCRITTO DALLA:
IS IN COMPLIANCE WITH THE FOLLOWING REQUIREMENTS:
EST CONFORME AUX CONDITIONS REQUISES SUIVANTES:
ERFÜLLT DIE FOLGENDEN ANFORDERUNGEN:
ES CONFORME A LO PRESCRITO POR LA

- **DIRETTIVA MACCHINE 98/37/CE**
(MACHINERY DIRECTIVE 98/37/EC)
(DIRECTIVE DES MACHINES 98/37/CE)
(MASCHINENRICHTLINIE 98/37/EG)
(DIRECTIVA MÁQUINAS 98/37/EC)
- **DIRETTIVA BASSA TENSIONE CEE 2006/95**
(LOW VOLTAGE DIRECTIVE EEC 2006/95)
(DIRECTIVE TENSION BASSE CEE 2006/95)
(NIEDERSPANNUNGSRICHTLINIE EWG 2006/95)
(DIRECTIVA BAJA TENSION CEE 2006/95)
- **DIRETTIVA COMPATIBILITA' ELETTROMAGNETICA 2004/108/CE**
(ELECTROMAGNETIC COMPATIBILITY DIRECTIVE 2004/108/EC)
(DIRECTIVE COMPATIBILITE ELECTROMAGNETIQUE 2004/108/CE)
(RICHTLINIE ÜBER DIE ELEKTROMAGNETISCHE VERTRÄGLICHKEIT 2004/108/EG)
(DIRECTIVA COMPATIBILIDAD ELECTROMAGNÉTICA 2004/108/CEE)

- **DIRETTIVA ATTREZZATURE A PRESSIONE 97/23/CE**
(PRESSURE EQUIPMENT DIRECTIVE 97/23/EC)
(DIRECTIVE EQUIPEMENT A PRESSION 97/23/CE)
(RICHTLINIE ÜBER DRUCKEINRICHTUNGEN 97/23/EG)
(DIRECTIVA EQUIPOS A PRESIÓN 97/23/CE)

PROCEDURA DI VALUTAZIONE DI CONFORMITA' IN ACCORDO AI MODULI B + C1
CONFORMITY EVALUATION PROCEDURE IN COMPLIANCE WITH FORMS B + C1
PROCÉDURES POUR L' EVALUATION DE CONFORMITE SELON LES FORMULAIRES B + C1
KONFORMITÄTBEWERTUNGSVERFAHREN GEMÄßFORMULAREN B + C1
PROCEDIMIENTO DE VALORACION DE CONFORMIDAD DE ACUERDO CON LOS MÓDULOS B + C1

ORGANISMO NOTIFICATO N° 1115
NOTIFIED BODY NO. 1115
ORGANISME NOTIFIE NO. 1115
NOTIFIZIERTE STELLE NR. 1115
ORGANISMO NOTIFICADO N° 1115

SOCIETA' CONSORTILE PASCAL s.r.l.
Via Scarsellini, 13
20161 MILANO
NB CE 1115

E DA QUANTO PRESCRITTO NELLE SEGUENTI NORME ARMONIZZATE:
AND IN ACCORDANCE WITH THE FOLLOWING HARMONIZED STANDARDS:
ET EN CONFORMITE AVEC LES NORMES HARMONISEES SUIVANTES:
UND GEMÄß DEN FOLGENDEN HARMONISIERTEN VORSCHRIFTEN:
Y POR LO PRESCRITO EN LAS SIGUIENTES NORMAS ARMONIZADAS

- **UNI EN ISO 12100-1, UNI EN ISO 12100-2, EN 294, EN 60204-1, EN 60439-1, EN 61000-6-2, EN 61000-6-3**

PER LA DESCRIZIONE DELLE ATTREZZATURE A PRESSIONE CHE COMPONGONO L' INSIEME
SI RIMANDA AL MANUALE DI UTILIZZO DELLA MACCHINA.
FOR THE DESCRIPTION OF THE PRESSURISED EQUIPMENT COMPOSING THE ASSEMBLY
SEE THE OPERATION MANUAL OF THE MACHINE.
POUR LA DESCRIPTION DES EQUIPEMENTS A PRESSION QUI COMPOSENT L' ENSEMBLE
VOIR LE MANUEL D' INSTRUCTION DE LA MACHINE.
FÜR DIE BESCHREIBUNG DER DIE GESAMTEINHEIT BILDENDEN DRUCKEINRICHTUNGEN
SIEHE DAS BETRIEBSHANDBUCH DER MASCHINE
PARA LA DESCRIPCION DE LOS EQUIPOS A PRESION QUE COMPONEN EL CONJUNTO. HACER
REFERENCIA AL MANUAL DE USO DE LA MÁQUINA.

NOME / NAME / PRENOM / VORNAME/NOMBRE : NAZARENO
COGNOME / SURNAME / NOM / NACHNAME/APELLIDO : MANTOVANI
POSIZIONE / POSITION / POSITION / STELLUNG/POSICIÓN : CAC B.U. QUALITY DIRECTOR

FIRMA / SIGNATURE / SIGNATURE/
UNTERSCHRIFT/FIRMA :

01/08/2009

IN CASO DI CONTROVERSIE LEGALI OCCORRE FARE RIFERIMENTO ALLA LINGUA ITALIANA
IN CASE OF LEGAL DISPUTES REFER TO THE ITALIAN LANGUAGE
EN CAS DE CONFLITS JURIDIQUES NOUS VOUS PRIONS DE VOUS REFERER A LA LANGUE ITALIENNE
BEI GESETZLICHEN STREITIGKEITEN BEZIEHEN SIE SICH BITTE AUF DIE ITALIENISCHE SPRACHE
EN CASO DE PLEITOS LEGALES, HACER REFERENCIA A LA LEY ITALIANA

As part of our ongoing product improvement programme, our products are subject to change without prior notice. Non contractual photos.

Dans un souci d'amélioration constante, nos produits peuvent être modifiés sans préavis. Photos non contractuelles.

In dem Bemühen um ständige Verbesserung können unsere Erzeugnisse ohne vorherige Ankündigung geändert werden. Fotos nicht vertraglich bindend.

A causa della politica di continua miglioria posta in atto dal costruttore, questi prodotti sono soggetti a modifiche senza alcun obbligo di preavviso. Le foto pubblicate non danno luogo ad alcun vincolo contrattuale.

Con objeto de mejorar constantemente, nuestros productos pueden ser modificados sin previo aviso. Fotos no contractuales.



motralec

4 rue Lavoisier . ZA Lavoisier . 95223 HERBLAY CEDEX
Tel. : 01.39.97.65.10 / Fax. : 01.39.97.68.48
Demande de prix / e-mail : service-commercial@motralec.com

www.motralec.com