

# DR BluePRO

Multi-channel open impeller



## General characteristics

- multi-channel open impeller
- 0,37 ÷ 1,5 kW
- 2 poles
- GAS 1 1/4" - 2" vertical delivery port
- max 15 mm free passage

## Electromechanical assembly

Electromechanical assembly in EN-GJL-250 cast iron, for submerged operation, fitted with 2 (two) opposing silicon carbide mechanical seals in oil sump, and V-ring in direct contact with the liquid. Ecological dry motor. Pump body in single casting with motor casing. Series not available in explosion-proof version.

## Applications

Suitable for use with clear or slightly soiled wastewaters containing small solids, strained water, rainwater, seepage and water pumped from underground, where high pumping rates are required. This electric pump is intended for both domestic and professional use.

## Construction materials

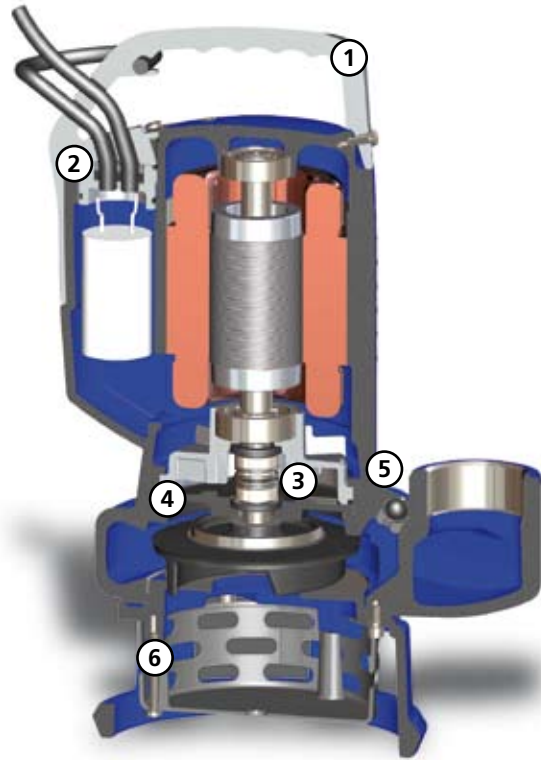
Case	Cast iron EN-GJL 250
Impeller	Cast iron EN-GJL-250
Nuts and bolts	Stainless steel - Class A2-70
Standard gasket	Rubber - NBR
Shaft	Stainless steel - AISI 420
Set of standard mechanical seals	Two Silicon carbide mechanical seals (2SiC)

## Operating limits

Maximum operating temperature	40 °C
PH of treated fluid	6 to 10 pH
Viscosity of treated fluid	1 mm <sup>2</sup> /s
Maximum immersion depth	20 m
Density of treated fluid	1 Kg/dm <sup>3</sup>
Maximum acoustic pressure	70 dB
max starts per hour	20

Models available in IECEx certified version

# DR BluePRO



### Lifting handle

Aluminium lifting and carrying handle



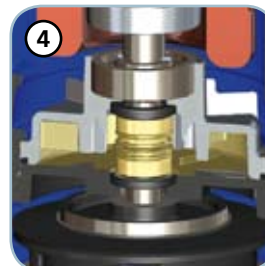
### Cable Gland System

Innovative cable gland system with twin O-rings to ensure maximum tightness



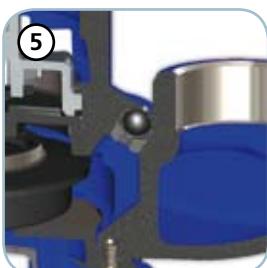
### Mechanical seals

Two silicon carbide mechanical seals (2SiC)



### Seal sump

Oil chamber which guarantees longer mechanical seal lifetime, and is easily accessible thanks to a patented system to simplify maintenance procedures



### Breather

Breather which allows the air to be vented and ensure reliable pump priming even after long periods out of use



### Intake strainer

Intake strainer in stainless steel for 50, 75 and 100 models and in polypropylene with spheroidal cast iron feet for 150 and 200 models

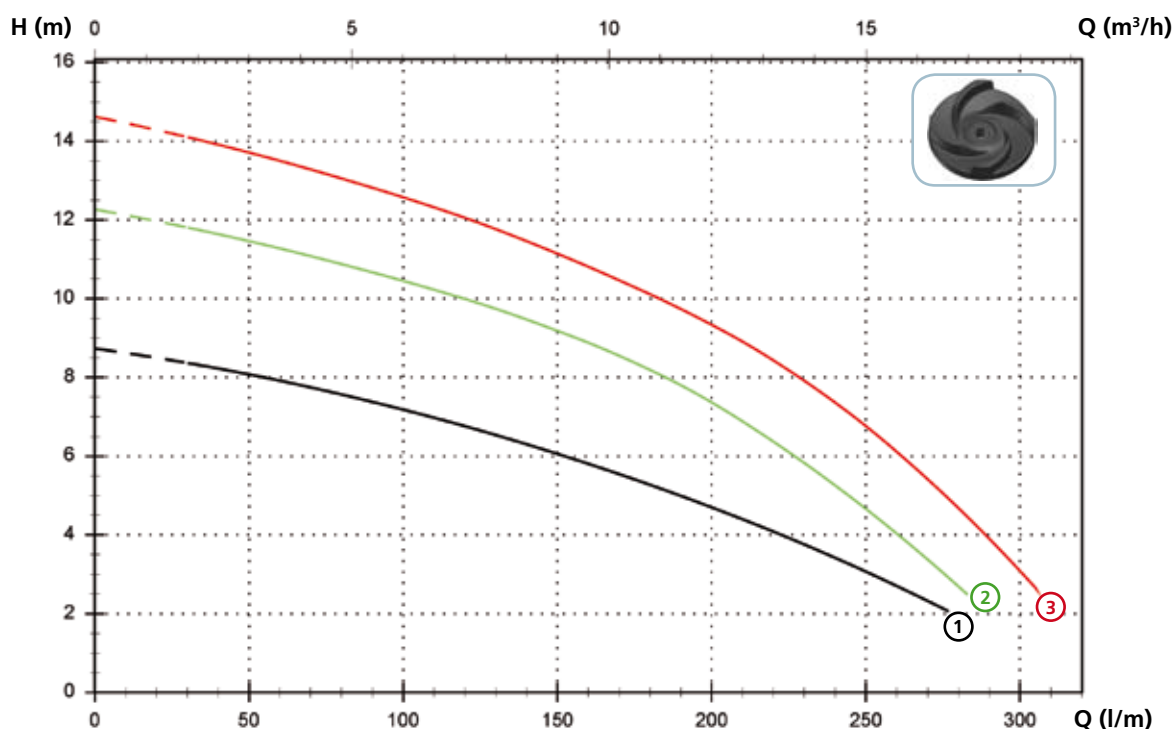
# DR BluePRO

## Models with vertical GAS 1 1/4" threaded delivery port - 2 poles motor

### Performances

l/s	0	1	2	3	4	5
l/min	0	60	120	180	240	300
m <sup>3</sup> /h	0	3,6	7,2	10,8	14,4	18,0

① DR BluePRO 50/2/G32V A1BM(T)/50	8,7	7,9	6,8	5,3	3,4	
② DR BluePRO 75/2/G32V A1BM(T)/50	12,3	11,3	10,0	8,2	5,3	
③ DR BluePRO 100/2/G32V A1BM(T)/50	14,6	13,5	12,1	10,1	7,4	3,1



### Technical data

	V	Phases	P1 (kW)	P2 (kW)	A	Rpm	Ø	Cable (*)	Free passage
① DR BluePRO 50/2/G32V A1BM/50	230	1	-	0.37	2.8	2900	G 1 1/4"	A	15 mm
② DR BluePRO 75/2/G32V A1BM/50	230	1	-	0.55	4.1	2900	G 1 1/4"	A	15 mm
③ DR BluePRO 100/2/G32V A1BM/50	230	1	-	0.74	5.6	2900	G 1 1/4"	A	15 mm

	V	Phases	P1 (kW)	P2 (kW)	A	Rpm	Ø	Cable (*)	Free passage
① DR BluePRO 50/2/G32V A1BT/50	400	3	-	0.37	1.15	2900	G 1 1/4"	B	15 mm
② DR BluePRO 75/2/G32V A1BT/50	400	3	-	0.55	1.6	2900	G 1 1/4"	B	15 mm
③ DR BluePRO 100/2/G32V A1BT/50	400	3	-	0.74	2.15	2900	G 1 1/4"	B	15 mm

(\*) A = H07RN-F 3G1 - 5 m cable length with schuko plug. Optional 10 m cable length with schuko plug.  
 B = H07RN-F 4G1 - 10 m cable length

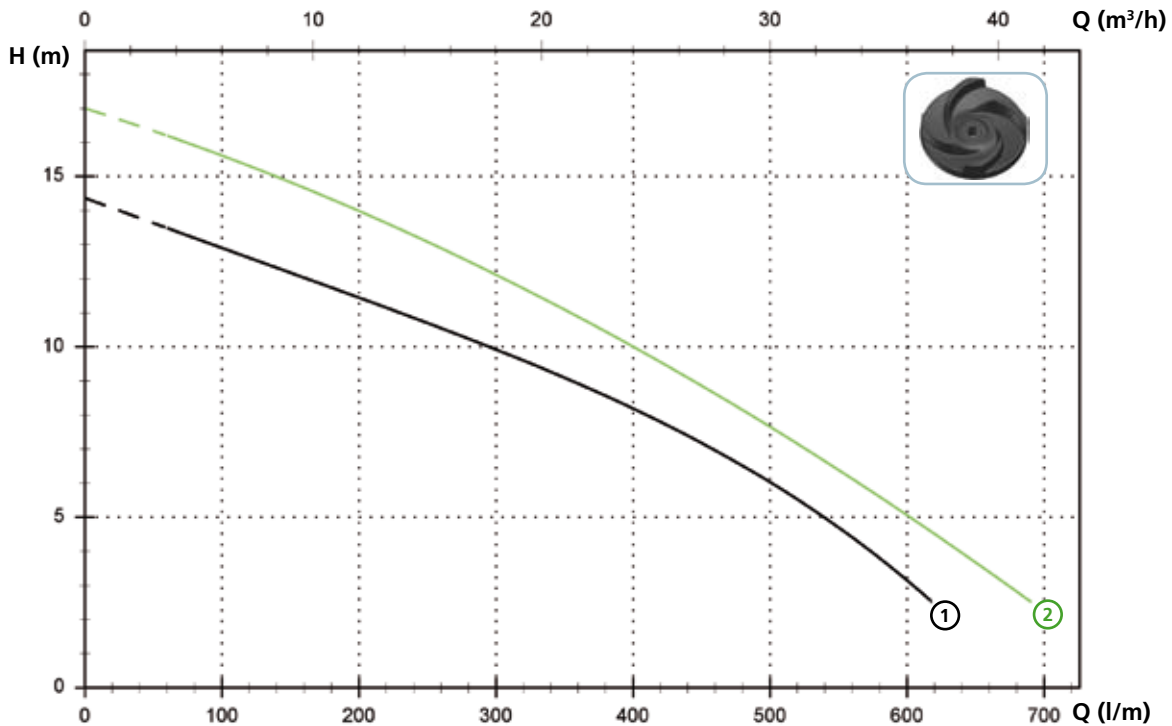
Attention: Standard EN 60335-2-41 requires the use of a 10 m cable length in outdoor applications

# DR BluePRO

## Models with vertical GAS 2" threaded delivery port - 2 poles motor

### Performances

	<i>l/s</i>	0	2	4	6	8	10
	<i>l/min</i>	0	120	240	360	480	600
	<i>m³/h</i>	0	7,2	14,4	21,6	28,8	36,0
① DR BluePRO 150/2/G50V A1CM(T)/50		14,4	12,6	10,9	8,9	6,5	3,1
② DR BluePRO 200/2/G50V A1CM(T)/50		17,0	15,3	13,3	10,9	8,1	5,1



### Technical data

	V	Phases	P1 (kW)	P2 (kW)	A	Rpm	Ø	Cable (*)	Free passage
① DR BluePRO 150/2/G50V A1CM/50	230	1	-	1.1	7.5	2900	G 2"	A	10x30 mm
② DR BluePRO 200/2/G50V A1CM/50	230	1	-	1.5	10	2900	G 2"	A	10x30 mm

	V	Phases	P1 (kW)	P2 (kW)	A	Rpm	Ø	Cable (*)	Free passage
① DR BluePRO 150/2/G50V A1CT/50	400	3	-	1.1	3.2	2900	G 2"	B	10x30 mm
② DR BluePRO 200/2/G50V A1CT/50	400	3	-	1.5	4.3	2900	G 2"	B	10x30 mm

(\*) A = H07RN-F 3G1 - 5 m cable length with schuko plug. Optional 10 m cable length with schuko plug.  
 B = H07RN-F 4G1 - 10 m cable length

Attention: Standard EN 60335-2-41 requires the use of a 10 m cable length in outdoor applications

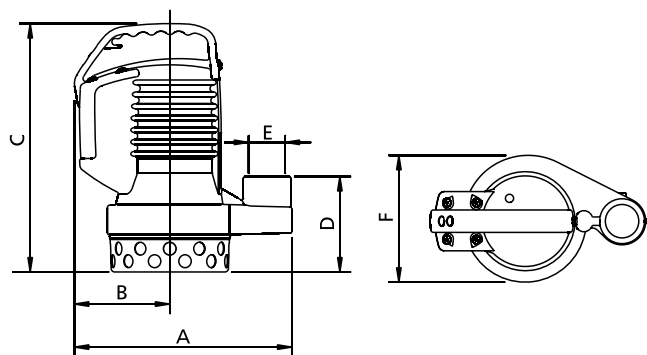
# DR BluePRO

## Versions available

(Key to versions on page 15)

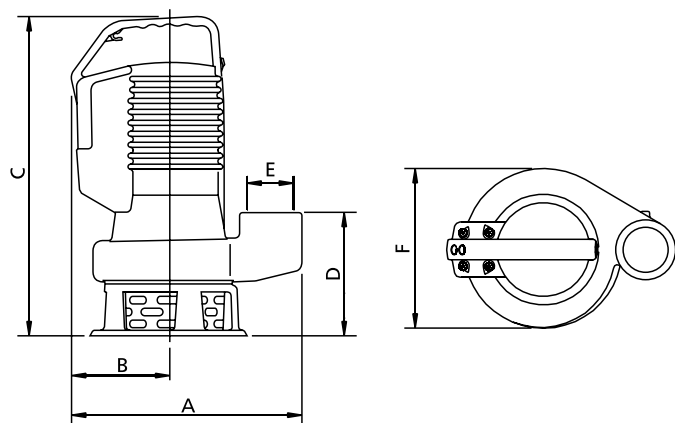
	Electrical variants													Cooling		Mechanical seals				
	N A E	T	T C	T C D	T C D T	T C D G T	T C G	T C S T	T C S G T	T S	T R	T R G	F T	C G F T	N	CC	2SIC	SICM	SICAL	2SICAL
DR BluePRO 50/2/G32V A1BM/50			●				●								●		●			
DR BluePRO 75/2/G32V A1BM/50			●				●								●		●			
DR BluePRO 100/2/G32V A1BM/50			●				●								●		●			
DR BluePRO 150/2/G50V A1CM/50			●				●								●		●			
DR BluePRO 200/2/G50V A1CM/50			●				●								●		●			
DR BluePRO 50/2/G32V A1BT/50	●											●			●		●			
DR BluePRO 75/2/G32V A1BT/50	●											●			●		●			
DR BluePRO 100/2/G32V A1BT/50	●											●			●		●			
DR BluePRO 150/2/G50V A1CT/50	●											●			●		●			
DR BluePRO 200/2/G50V A1CT/50	●											●			●		●			

## Overall dimensions and weights



	A	B	C	D	E	F	kg
DR BluePRO 50/2/G32V A1BM(T)/50	255	115	295	110	G 1 1/4"	150	12
DR BluePRO 75/2/G32V A1BM(T)/50	255	115	295	110	G 1 1/4"	150	13.5
DR BluePRO 100/2/G32V A1BM(T)/50	255	115	295	110	G 1 1/4"	150	14

Measurements in mm



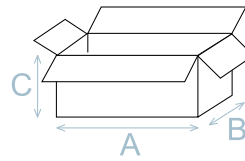
	A	B	C	D	E	F	kg
DR BluePRO 150/2/G50V A1CM(T)/50	295	125	420	170	G 2"	200	23
DR BluePRO 200/2/G50V A1CM(T)/50	295	125	420	170	G 2"	200	24

Measurements in mm

# DR BluePRO

## Packaging dimension

	A	B	C
DR BluePRO 50/2/G32V A1BM(T)/50	240	200	350
DR BluePRO 75/2/G32V A1BM(T)/50	240	200	350
DR BluePRO 100/2/G32V A1BM(T)/50	240	200	350
DR BluePRO 150/2/G50V A1CM(T)/50	300	250	480
DR BluePRO 200/2/G50V A1CM(T)/50	300	250	480

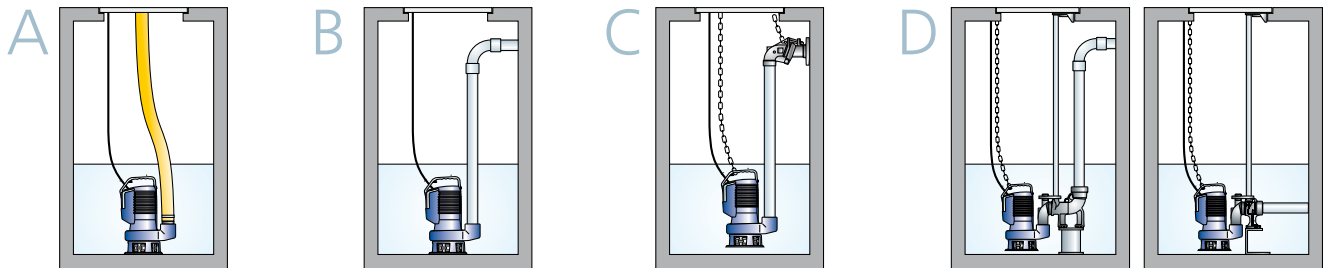


Dimension in mm

## No. pieces per pallet

For DR BluePRO 50-75-100 models each pallet (EUR 1000X1200 mm) is able to take 75 pieces.  
 For DR BluePRO 150-200 models each pallet (EUR 1000X1200 mm) is able to take 32 pieces.

## Installations available



For C and D installations of the models DR BluePRO 50-75-100 the joint for reduction is necessary (not included)