

**MAF****motralec**

4 rue Lavoisier . ZA Lavoisier . 95223 HERBLAY CEDEX  
 Tel. : 01.39.97.65.10 / Fax. : 01.39.97.68.48  
 Demande de prix / e-mail : service-commercial@motralec.com  
[www.motralec.com](http://www.motralec.com)



## Single-channel open impeller



### General characteristics

- Single-channel open impeller
- 0,74 kW motor power
- 4 poles
- DN65 ÷ DN100 delivery port
- max 55 mm free passage

### Electromechanical assembly

Electromechanical assembly in GJL-250 cast iron, for submerged operation. Seal set comprising 2 (two) silicon carbide mechanical seals assembled opposing in inspectable oil sump. Ecological dry motor. Separate pump body. Series with explosion-proof certification.

### Applications

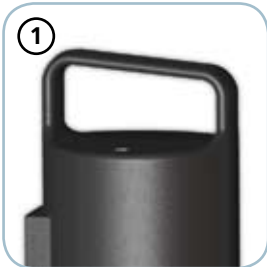
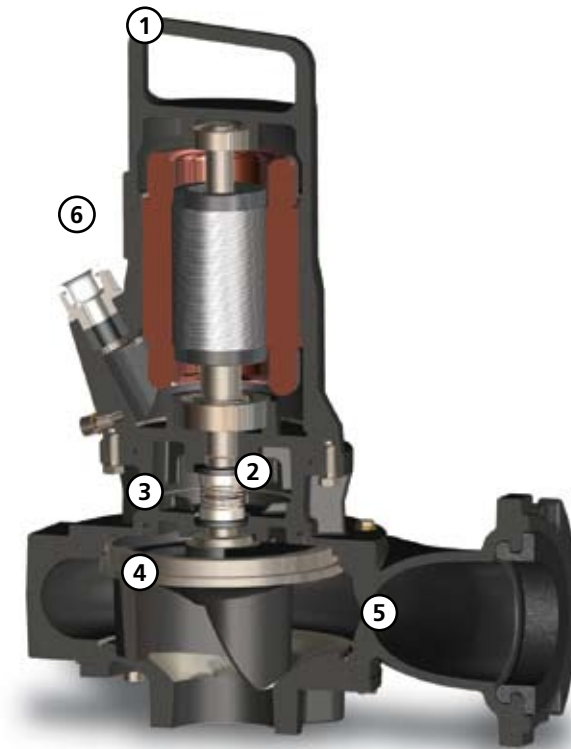
Designed specifically for use where there are traces of flammable liquids or in potentially explosive atmospheres, the MAF can be used with liquids containing traces of flammable substances, and in gassy environments.

### Construction materials

Case	Cast Iron EN-GJL 250
Impeller	Cast iron EN-GJL-250
Nuts and bolts	Stainless Steel - Class A2-70
Standard gasket	Rubber - NBR - VITON
Shaft	Stainless Steel - AISI 420
Set of standard mechanical seals	Two Silicon carbide mechanical seals (2SiC)

### operating limits

Maximum operating temperature	40 °C
PH of treated fluid	6 to 10 pH
Viscosity of treated fluid	1 mm <sup>2</sup> /s
Maximum immersion depth	20 m
Density of treated fluid	1 Kg/dm <sup>3</sup>
Maximum acoustic pressure	70 dB
max starts per hour	20



**Handle/Cable gland**

Cast iron lifting and carrying handle. The GAS thread ring-nut can be removed to fix a rigid or flexible duct to the cable gland to protect the power supply cable



**Mechanical seals**

Two mechanical seals in silicon carbide (2SiC)



**Oil sump**

Large oil sump to guarantee longer mechanical seal lifetime



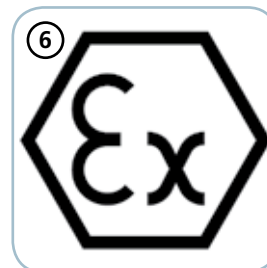
**Drive shaft**

Impeller connected to the drive shaft by means of tapered coupling



**Free passage**

Ample free passage allowing the expulsion of solids and preventing fouling of the impeller



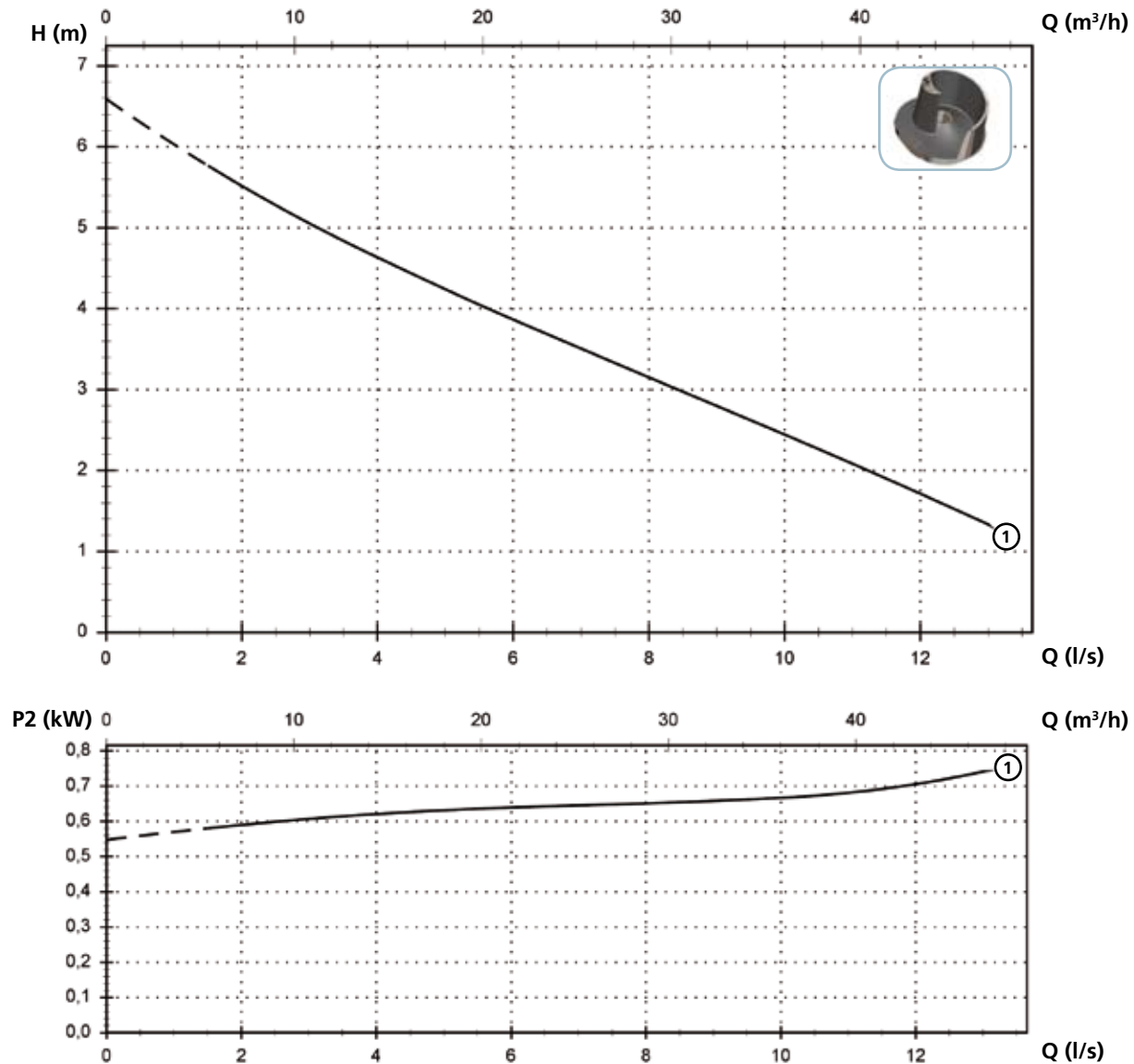
**EX**

Models with ATEX certification, suitable for installation in the presence of potentially explosive gases, powders and liquids

# MAF

## Models with horizontal DN65 PN10-16 flanged delivery port - 4 poles

### Performances



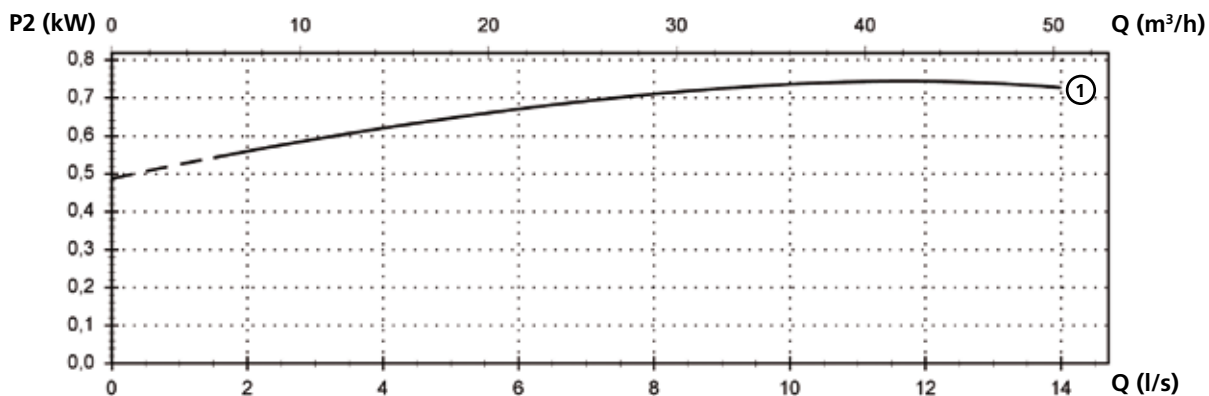
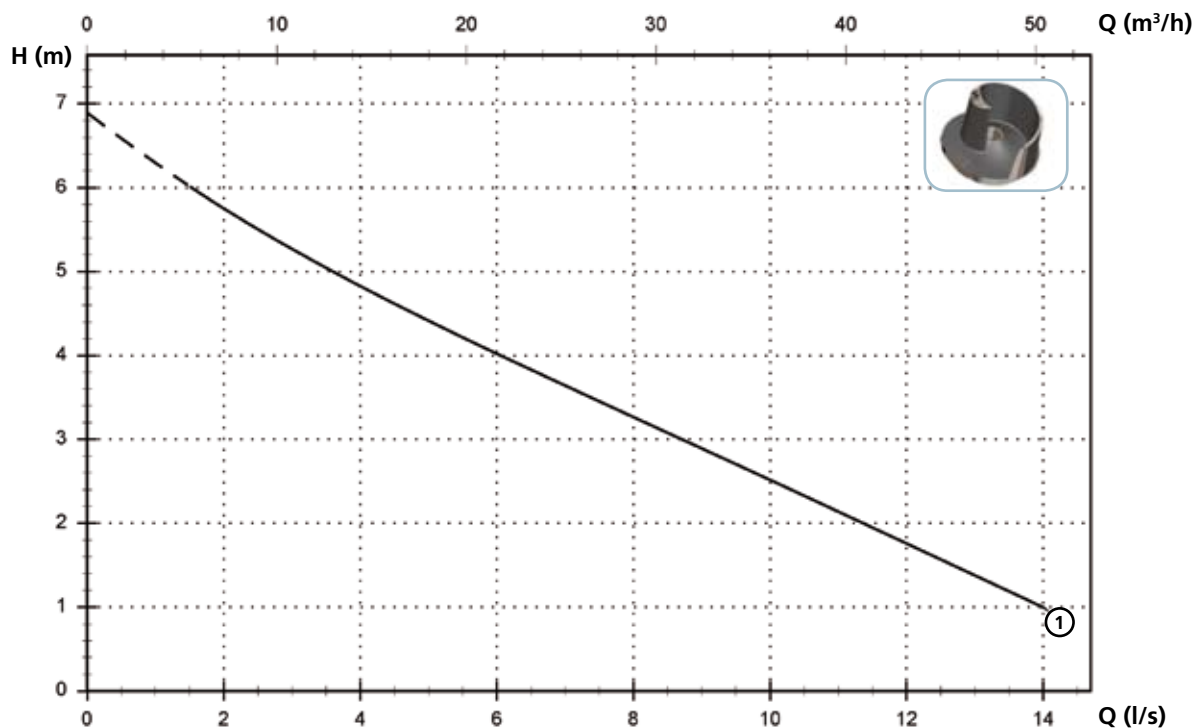
### Technical data

	V	Phases	P1 (kW)	P2 (kW)	A	Rpm	Ø	Cable (*)	Free passage
① MAF 100/4/65 A1CT/50	400	3	1.1	0.74	2.2	1450	DN65 PN10-16	A	50 mm

(\*) A = NSSHOU-J 4G1.5+2x0.75 - 10 m

**Models with horizontal DN80 PN10-16 flanged delivery port - 4 poles**

**Performances**



**Technical data**

	V	Phases	P1 (kW)	P2 (kW)	A	Rpm	Ø	Cable (*)	Free passage
① MAF 100/4/80 A1CT/50	400	3	1.1	0.74	2.2	1450	DN80 PN10-16	A	50 mm

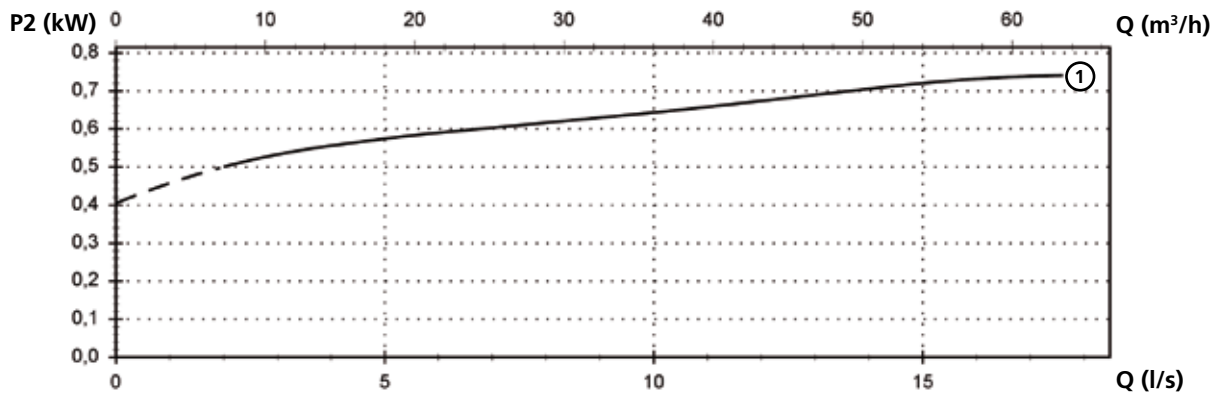
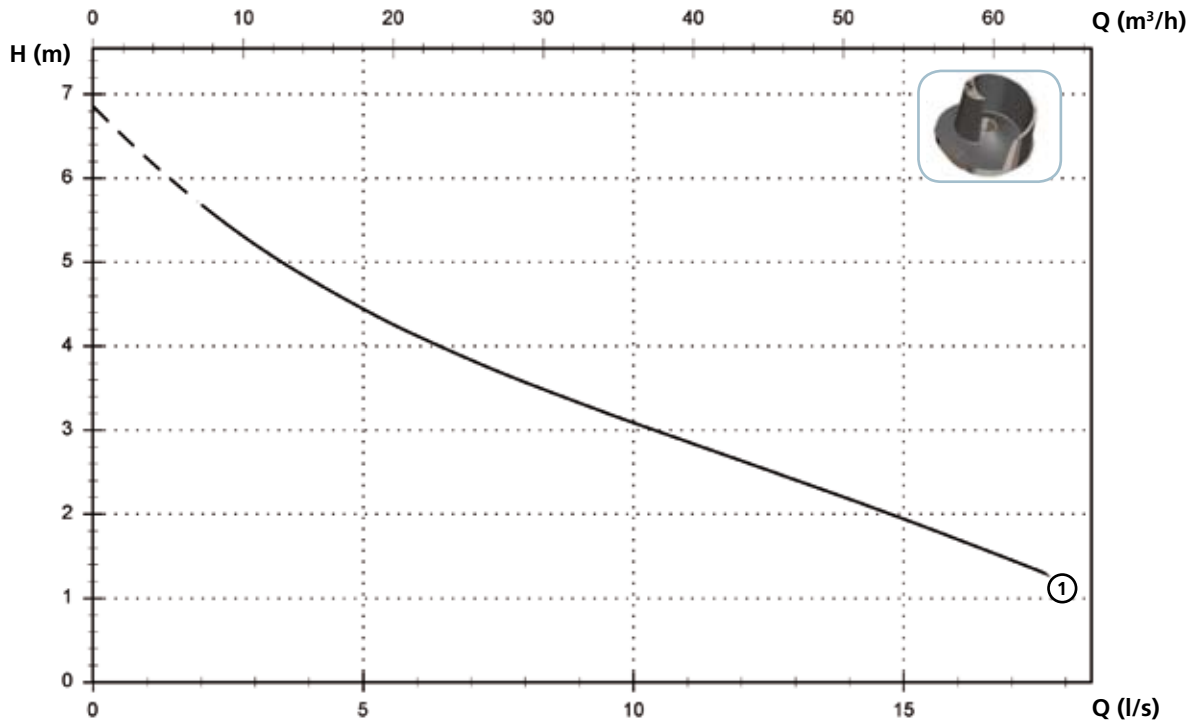
(\*) A = NSSHOU-J 4G1.5+2x0.75 - 10 m



# MAF

## Models with horizontal DN100 PN10-16 flanged delivery port - 4 poles

### Performances



### Technical data

	V	Phases	P1 (kW)	P2 (kW)	A	Rpm	Ø	Cable (*)	Free passage
① MAF 100/4/100 A1CT/50	400	3	1.1	0.74	2.2	1450	DN100 PN10-16	A	55 mm

(\*) A = NSSHOU-J 4G1.5+2x0.75 - 10 m

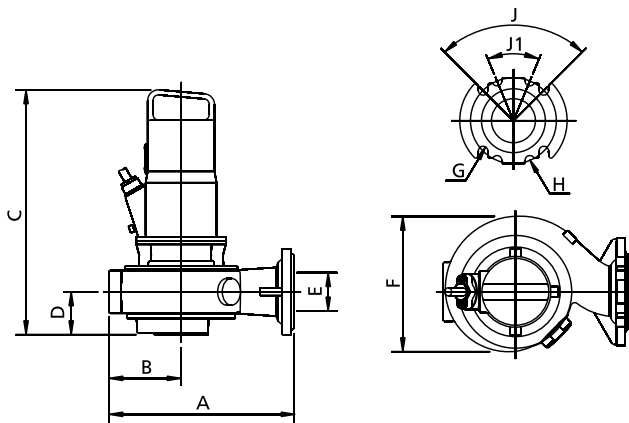
**Versions available**

(Key to versions on page 15)

	Electrical variants											Cooling		Mechanical seals				
	N A E	T C	T C D	T C D T	T C D G T	T C S T	T C S G T	T S	T R	T R G	F T	C G F T	N	CC	2SIC	SICM	SICAL	2SICAL
MAF 100/4/65 A1CT/50		●											●		●			
MAF 100/4/80 A1CT/50		●											●		●			
MAF 100/4/100 A1CT/50		●											●		●			

NOTE: For single phase pumps thermal protections into the winding have to be connected to the electrical panel.  
Capacitor supplied but not connected to the pump cable.  
The use of an electrical panel as circuit breaker housing is mandatory.  
For installation please see use and maintenance instructions booklet.

**Overall dimensions and weights**

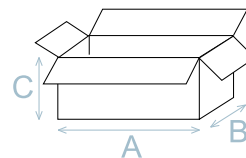


	A	B	C	D	E	F	G	H	J	J1	kg
MAF 100/4/65 A1CT/50	345	135	455	80	65	255	18	145	90°	-	42
MAF 100/4/80 A1CT/50	345	135	455	80	80	255	18	160	90°	45°	42
MAF 100/4/100 A1CT/50	430	170	475	90	100	325	18	180	45°	-	48

Measurements in mm

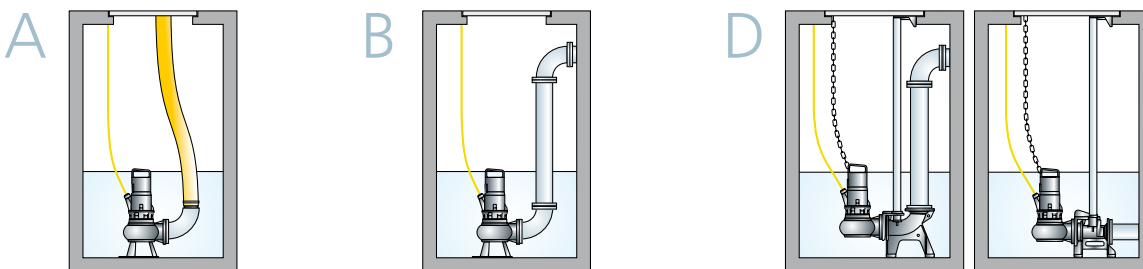
**Packaging dimension**

	A	B	C
MAF 100/4/65 A1CT/50	725	445	415
MAF 100/4/80 A1CT/50	725	445	415
MAF 100/4/100 A1CT/50	725	445	415



Dimension in mm

**Installations available**



Dry installation available for specified models. Contact Custome Service for more information.

