

# DG BluePRO

**motralec**

4 rue Lavoisier . ZA Lavoisier . 95223 HERBLAY CEDEX  
 Tel. : 01.39.97.65.10 / Fax. : 01.39.97.68.48  
 Demande de prix / e-mail : [service-commercial@motralec.com](mailto:service-commercial@motralec.com)  
[www.motralec.com](http://www.motralec.com)

## Set-back Vortex impeller



### General characteristics

- set-back vortex impeller
- 0,37 ÷ 1,5 kW
- 2 poles
- GAS 1 1/2" - 2" delivery port
- max 50 mm free passage

### Electromechanical assembly

Electromechanical assembly in EN-GJL-250 cast iron, for submerged operation, fitted with 2 (two) opposing silicon carbide mechanical seals in oil sump, and V-ring in direct contact with the liquid. Ecological dry motor. Pump body in single casting with motor casing. Series not available in explosion-proof version.

### Applications

Can be used with slightly soiled biological wastewaters and sewage. Suitable for heavy-duty applications with soiled biological wastewaters, sewage, rainwater and seepage. This electric pump is intended for both domestic and professional use.

### Construction materials

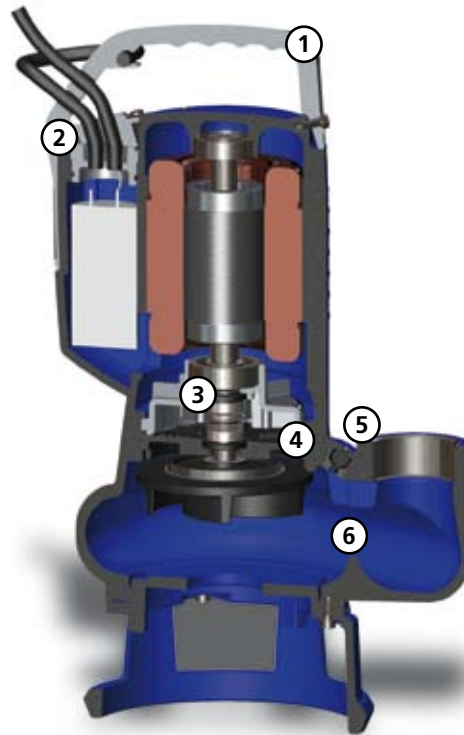
Case	Cast iron EN-GJL 250
Impeller	Cast iron EN-GJL-250
Nuts and bolts	Stainless steel - Class A2-70
Standard gasket	Rubber - NBR
Shaft	Stainless steel - AISI 420
Set of standard mechanical seals	Two silicon carbide mechanical seals (2SiC)

### Operating limits

Maximum operating temperature	40 °C
PH of treated fluid	6 to 10 pH
Viscosity of treated fluid	1 mm <sup>2</sup> /s
Maximum immersion depth	20 m
Density of treated fluid	1 Kg/dm <sup>3</sup>
Maximum acoustic pressure	70 dB
max starts per hour	20

Models available in IECEx certified version

# DG BluePRO



**Lifting handle**  
Aluminium lifting and carrying handle



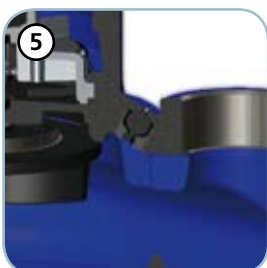
**Cable Gland System**  
Innovative cable gland system with twin O-rings to ensure maximum tightness



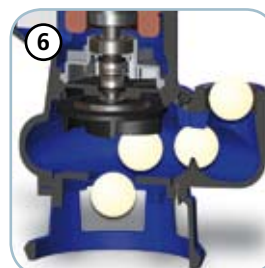
**Mechanical seals**  
Two silicon carbide mechanical seals (2SiC)



**Seal sump**  
Oil chamber which guarantees longer mechanical seal lifetime, and is easily accessible thanks to a patented system to simplify maintenance procedures



**Breather**  
Breather which allows the air to be vented and ensure reliable pump priming even after long periods out of use



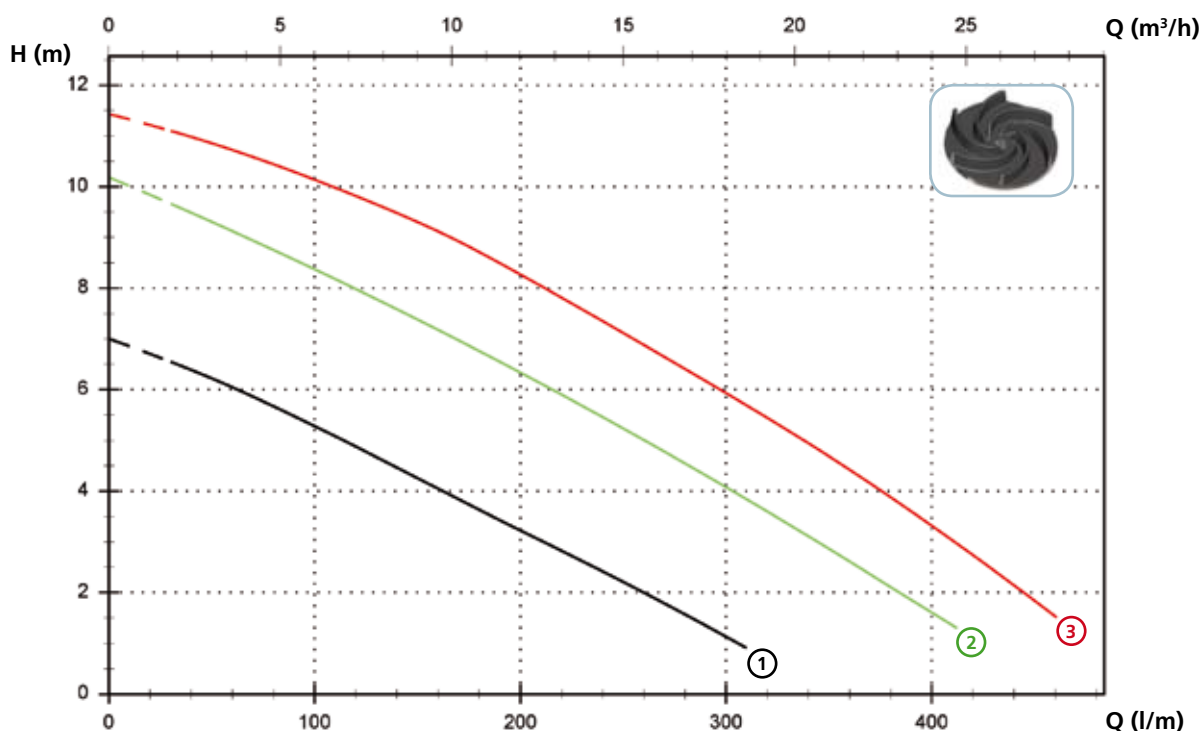
**Free passage**  
Full free passage allowing the expulsion of solids and preventing fouling of the impeller

# DG BluePRO

## Models with vertical GAS 1 1/2" threaded delivery port - 2 poles

### Performances

	l/s	0	1	2	3	4	5	6	7
	l/min	0	60	120	180	240	300	360	420
	m <sup>3</sup> /h	0	3,6	7,2	10,8	14,4	18,0	21,6	25,2
① DG BluePRO 50/2/G40V A1BM(T)/50		7,0	6,0	4,9	3,6	2,4	1,1		
② DG BluePRO 75/2/G40V A1BM(T)/50		10,2	9,1	8,0	6,8	5,5	4,1	2,6	
③ DG BluePRO 100/2/G40V A1BM(T)/50		11,4	10,7	9,8	8,7	7,4	5,9	4,4	2,7



### Technical data

	V	Phases	P1 (kW)	P2 (kW)	A	Rpm	Ø	Cable (*)	Free passage
① DG BluePRO 50/2/G40V A1BM/50	230	1	-	0.37	2.8	2900	G 1 1/2"	A	40 mm
② DG BluePRO 75/2/G40V A1BM/50	230	1	-	0.55	4.1	2900	G 1 1/2"	A	40 mm
③ DG BluePRO 100/2/G40V A1BM/50	230	1	-	0.74	5.6	2900	G 1 1/2"	A	40 mm

	V	Phases	P1 (kW)	P2 (kW)	A	Rpm	Ø	Cable (*)	Free passage
① DG BluePRO 50/2/G40V A1BT/50	400	3	-	0.37	1.15	2900	G 1 1/2"	B	40 mm
② DG BluePRO 75/2/G40V A1BT/50	400	3	-	0.55	1.6	2900	G 1 1/2"	B	40 mm
③ DG BluePRO 100/2/G40V A1BT/50	400	3	-	0.74	2.15	2900	G 1 1/2"	B	40 mm

(\*) A = H07RN-F 3G1 - 5 m cable length with schuko plug. Optional 10 m cable length with schuko plug.  
 B = H07RN-F 4G1 - 10 m cable length

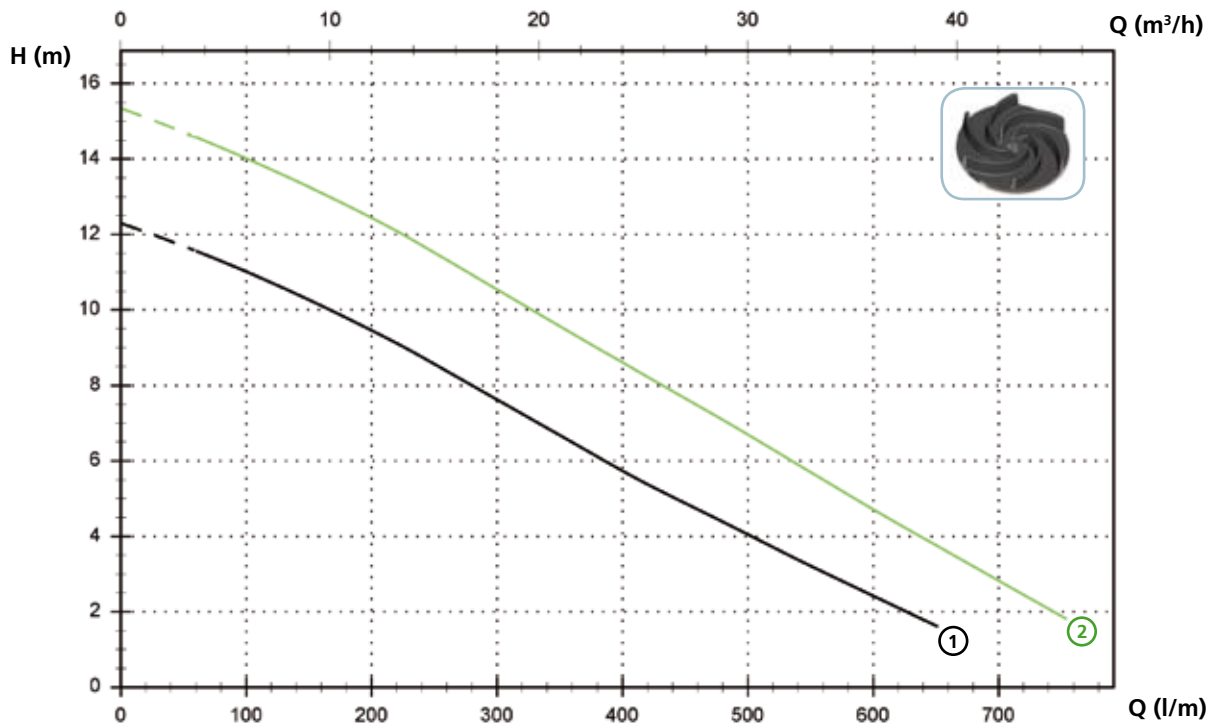
Attention: Standard EN 60335-2-41 requires the use of a 10 m cable length in outdoor applications

# DG BluePRO

## Models with vertical GAS 2" threaded delivery port - 2 poles

### Performances

	l/s	0	2	4	6	8	10	12
	l/min	0	120	240	360	480	600	720
	m <sup>3</sup> /h	0	7,2	14,4	21,6	28,8	36,0	43,2
①	DG BluePRO 150/2/G50V A1CM(T)/50	12,3	10,7	8,8	6,5	4,4	2,4	
②	DG BluePRO 200/2/G50V A1CM(T)/50	15,3	13,7	11,7	9,4	7,1	4,7	2,5



### Technical data

	V	Phases	P1 (kW)	P2 (kW)	A	Rpm	Ø	Cable (*)	Free passage
①	230	1	-	1.1	7.5	2900	G 2"	A	50 mm
②	230	1	-	1.5	10	2900	G 2"	A	50 mm

	V	Phases	P1 (kW)	P2 (kW)	A	Rpm	Ø	Cable (*)	Free passage
①	400	3	-	1.1	3.2	2900	G 2"	B	50 mm
②	400	3	-	1.5	4.3	2900	G 2"	B	50 mm

(\*) A = H07RN-F 3G1 - 5 m cable length with schuko plug. Optional 10 m cable length with schuko plug.  
 B = H07RN-F 4G1 - 10 m cable length

Attention: Standard EN 60335-2-41 requires the use of a 10 m length cable in outdoor applications

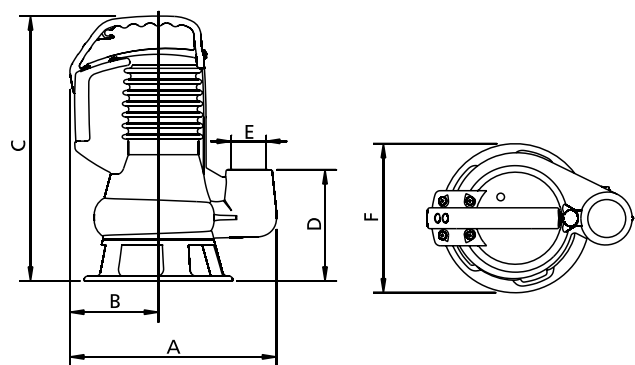
# DG BluePRO

## Versions available

(Key to versions on page 15)

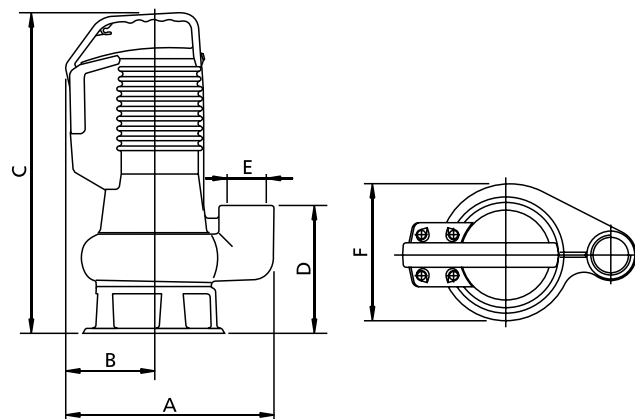
	Electrical variants													Cooling		Mechanical seals				
	N A E	T	T C	T C D	T C D T	T C D G	T C G	T C S	T C S G	T S	T R	T R G	F T	C G F T	N	CC	2SIC	SICM	SICAL	2SICAL
DG BluePRO 50/2/G40V A1BM/50			●				●							●		●				
DG BluePRO 75/2/G40V A1BM/50			●				●							●		●				
DG BluePRO 100/2/G40V A1BM/50			●				●							●		●				
DG BluePRO 150/2/G50V A1CM/50			●				●							●		●				
DG BluePRO 200/2/G50V A1CM/50			●				●							●		●				
DG BluePRO 50/2/G40V A1BT/50	●										●			●		●				
DG BluePRO 75/2/G40V A1BT/50	●										●			●		●				
DG BluePRO 100/2/G40V A1BT/50	●										●			●		●				
DG BluePRO 150/2/G50V A1CT/50	●										●			●		●				
DG BluePRO 200/2/G50V A1CT/50	●										●			●		●				

## Overall dimensions and weights



	A	B	C	D	E	F	kg
DG BluePRO 50/2/G40V A1BM(T)/50	265	115	335	140	G 1 1/2"	190	13
DG BluePRO 75/2/G40V A1BM(T)/50	265	115	335	140	G 1 1/2"	190	15
DG BluePRO 100/2/G40V A1BM(T)/50	265	115	335	140	G 1 1/2"	190	15.5

Measurements in mm



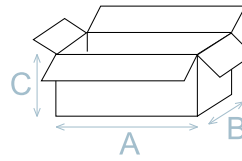
	A	B	C	D	E	F	kg
DG BluePRO 150/2/G50V A1CM(T)/50	295	125	465	195	G 2"	200	23
DG BluePRO 200/2/G50V A1CM(T)/50	295	125	465	195	G 2"	200	24

Measurements in mm

# DG BluePRO

## Packaging dimension

	A	B	C
DG BluePRO 50/2/G40V A1BM(T)/50	240	200	400
DG BluePRO 75/2/G40V A1BM(T)/50	240	200	400
DG BluePRO 100/2/G40V A1BM(T)/50	240	200	400
DG BluePRO 150/2/G50V A1CM(T)/50	300	250	480
DG BluePRO 200/2/G50V A1CM(T)/50	300	250	480



Dimension in mm

## No. pieces per pallet

For DG BluePRO 50-75-100 models each pallet (EUR 1000X1200 mm) is able to take 75 pieces.  
 For DG BluePRO 150-200 models each pallet (EUR 1000X1200 mm) is able to take 32 pieces.

## Installations available

