

DGE**motralec**

4 rue Lavoisier . ZA Lavoisier . 95223 HERBLAY CEDEX
 Tel. : 01.39.97.65.10 / Fax. : 01.39.97.68.48
 Demande de prix / e-mail : service-commercial@motralec.com
www.motralec.com

Set-back vortex impeller



General characteristics

- Set-back vortex impeller
- 0,37 ÷ 1,5 kW motor power
- 2 poles
- delivery port GAS 2" V
GAS 2" - DN50 H
- max 50 mm free passage

Electromechanical assembly

Electromechanical assembly in GJL-250 cast iron, for submerged operation. Seal set comprising 1 (one) silicon carbide mechanical seal and 1 (one) lip seal. Ecological dry motor. Separate pump body. Series not available in explosion-proof version.

Applications

Suitable with slightly soiled biological wastewaters and sewage. Suitable for domestic and residential use.

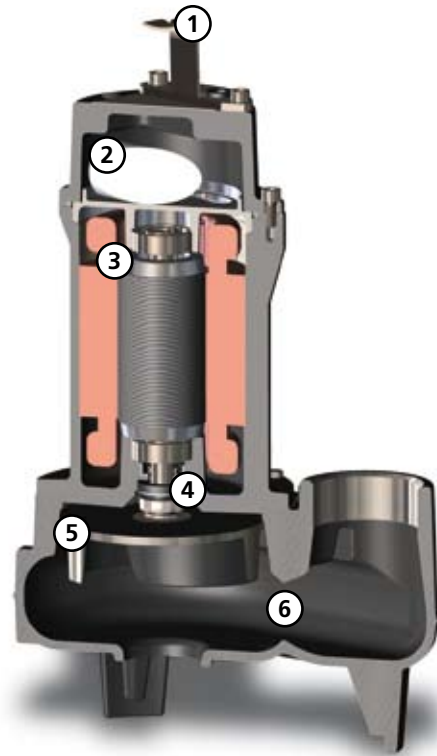
Construction materials

Case	Cast Iron EN-GJL 250
Impeller	Cast iron EN-GJL-250
Nuts and bolts	Stainless Steel - Class A2-70
Standard gasket	Rubber - NBR
Shaft	Stainless Steel - AISI 420
Set of standard mechanical seals	One Silicon carbide mechanical seal (SiC)

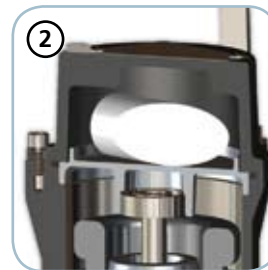
Operating limits

Maximum operating temperature	40 °C
PH of treated fluid	6 to 10 pH
Viscosity of treated fluid	1 mm ² /s
Maximum immersion depth	20 m
Density of treated fluid	1 Kg/dm ³
Maximum acoustic pressure	70 dB
Max starts per hour	20

Models available in IECEx certified version



Handle
AISI 304 stainless steel lifting and carrying handle



Capacitor/relay
Integral capacitor for single-phase models (relay for three-phase models)



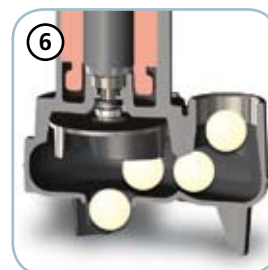
Motor
Ecological dry motor with thermal overloads



Mechanical seals
One mechanical seal in silicon carbide (SiC)



Impeller
Cast iron vortex impeller



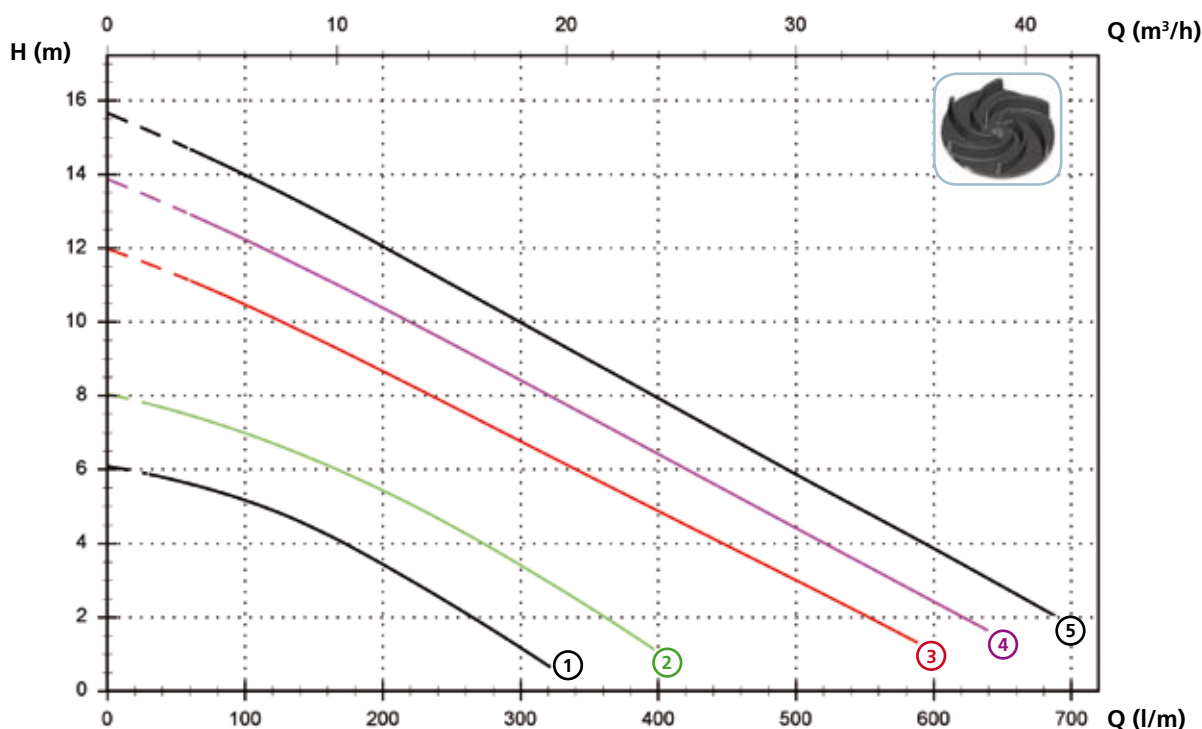
Free passage
Ample free passage allowing the expulsion of solids and preventing fouling of the impeller

DGE

Models with vertical GAS 2" threaded delivery port - 2 poles

Performances

	l/s	0	2	4	6	8	10
	l/min	0	120	240	360	480	600
	m ³ /h	0	7,2	14,4	21,6	28,8	36,0
①	DGE 50/2/G50V B0BM(T)/50	6,1	4,9	2,6			
②	DGE 75/2/G50V B0BM(T)/50	8,0	6,7	4,7	2,0		
③	DGE 100/2/G50V B0CM(T)/50	12,0	10,1	7,9	5,6	3,4	
④	DGE 150/2/G50V B0CM(T)/50	13,9	11,9	9,6	7,2	4,8	2,4
⑤	DGE 200/2/G50V B0CM(T)/50	15,7	13,6	11,2	8,8	6,3	3,9



Technical data

	V	Phases	P1 (kW)	P2 (kW)	A	Rpm	Ø	Cable (*)	Free passage	
①	DGE 50/2/G50V B0BM/50	230	1	-	0.37	2.8	2900	G 2"	A	40 mm
②	DGE 75/2/G50V B0BM/50	230	1	-	0.55	3.6	2900	G 2"	A	40 mm
③	DGE 100/2/G50V B0CM/50	230	1	-	0.88	6.5	2900	G 2"	A	50 mm
④	DGE 150/2/G50V B0CM/50	230	1	-	1.1	8.2	2900	G 2"	A	50 mm
⑤	DGE 200/2/G50V B0CM/50	230	1	-	1.5	9.4	2900	G 2"	A	50 mm

	V	Phases	P1 (kW)	P2 (kW)	A	Rpm	Ø	Cable (*)	Free passage	
①	DGE 50/2/G50V B0BT/50	400	3	-	0.37	1.1	2900	G 2"	B	40 mm
②	DGE 75/2/G50V B0BT/50	400	3	-	0.55	1.3	2900	G 2"	B	40 mm
③	DGE 100/2/G50V B0CT/50	400	3	-	0.88	2.2	2900	G 2"	B	50 mm
④	DGE 150/2/G50V B0CT/50	400	3	-	1.1	2.6	2900	G 2"	B	50 mm
⑤	DGE 200/2/G50V B0CT/50	400	3	-	1.5	3.6	2900	G 2"	B	50 mm

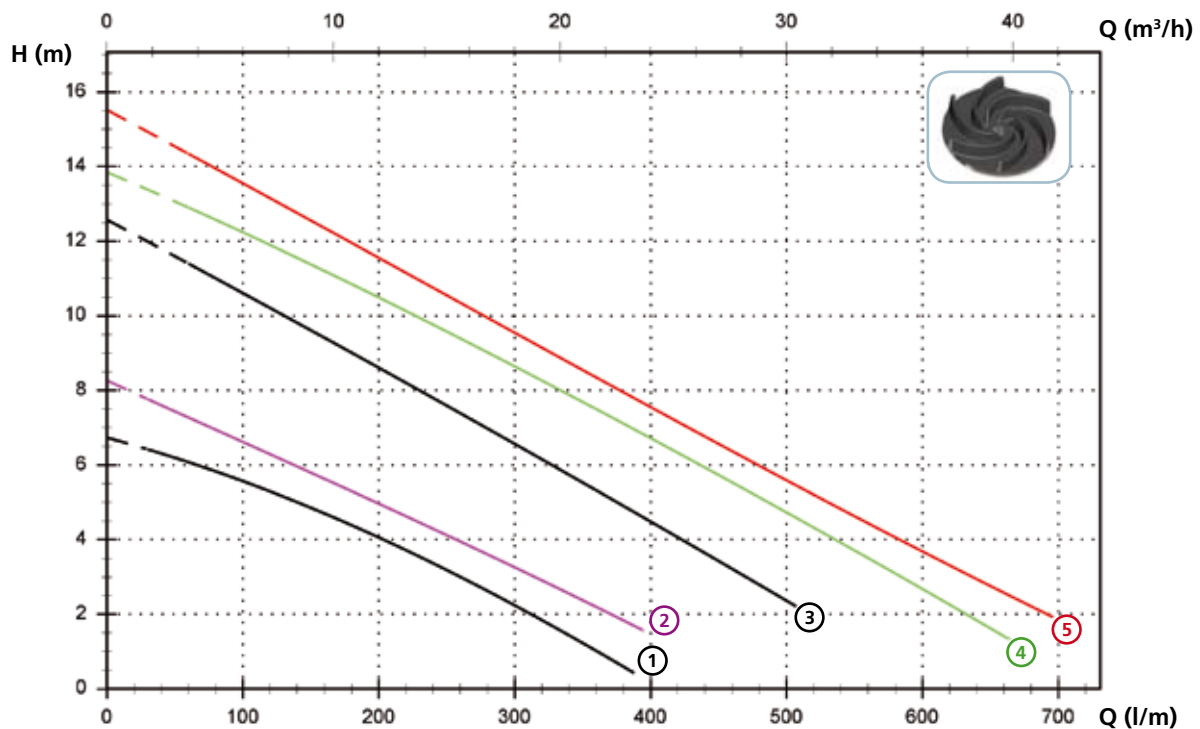
(*) A = H07RN-F 3G1 - 5 m cable length. Optional 10 m cable length with schuko plug.
 B = H07RN-F 4G1 - 10 m cable length

Attention: Standard EN 60335-2-41 requires the use of a 10 m cable length in outdoor applications

Models with horizontal GAS 2" threaded - DN50 PN10-16 flanged delivery port - 2 poles

Performances

	l/s	0	2	4	6	8	10
	l/min	0	120	240	360	480	600
	m ³ /h	0	7,2	14,4	21,6	28,8	36,0
① DGE 50/2/G50H A1BM/50		6,7	5,3	3,4	1,0		
② DGE 75/2/G50H A1BM/50		8,3	6,3	4,3	2,2		
③ DGE 100/2/G50H A0CM/50		12,6	10,2	7,8	5,3	2,8	
④ DGE 150/2/G50H A0CM/50		13,8	11,9	9,8	7,5	5,1	2,7
⑤ DGE 200/2/G50H A0CM/50		15,5	13,2	10,8	8,3	6,0	3,7



Technical data

	V	Phases	P1 (kW)	P2 (kW)	A	Rpm	Ø	Cable (*)	Free passage
① DGE 50/2/G50H A1BM/50	230	1	-	0.37	2.8	2900	G2" - DN50 PN10-16	A	40 mm
② DGE 75/2/G50H A1BM/50	230	1	-	0.55	3.6	2900	G2" - DN50 PN10-16	A	40 mm
③ DGE 100/2/G50H A0CM/50	230	1	-	0.88	6.5	2900	G2" - DN50 PN10-16	A	50 mm
④ DGE 150/2/G50H A0CM/50	230	1	-	1.1	8.2	2900	G2" - DN50 PN10-16	A	50 mm
⑤ DGE 200/2/G50H A0CM/50	230	1	-	1.5	9.4	2900	G2" - DN50 PN10-16	A	50 mm

	V	Phases	P1 (kW)	P2 (kW)	A	Rpm	Ø	Cable (*)	Free passage
① DGE 50/2/G50H A1BT/50	400	3	-	0.37	1.1	2900	G2" - DN50 PN10-16	B	40 mm
② DGE 75/2/G50H A1BT/50	400	3	-	0.55	1.3	2900	G2" - DN50 PN10-16	B	40 mm
③ DGE 100/2/G50H A0CT/50	400	3	-	0.88	2.2	2900	G2" - DN50 PN10-16	B	50 mm
④ DGE 150/2/G50H A0CT/50	400	3	-	1.1	2.6	2900	G2" - DN50 PN10-16	B	50 mm
⑤ DGE 200/2/G50H A0CT/50	400	3	-	1.5	3.6	2900	G2" - DN50 PN10-16	B	50 mm

(*) A = H07RN-F 3G1 - 5 m cable length. Optional 10 m cable length with schuko plug.
 B = H07RN-F 4G1 - 10 m cable length

Attention: Standard EN 60335-2-41 requires the use of a 10 m cable length in outdoor applications



DGE

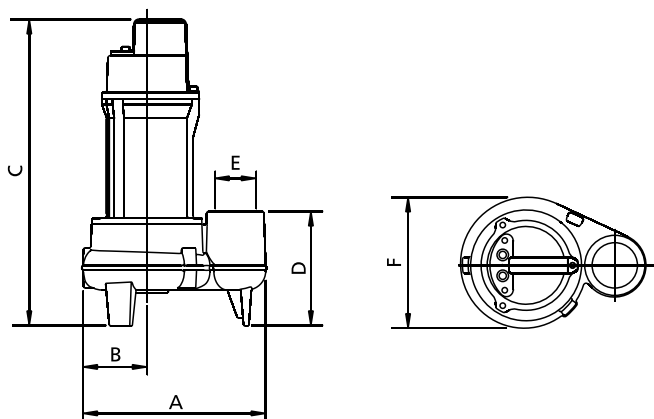
Versions available

(Key to versions on page 15)

	Electrical variants													Cooling		Mechanical seals				
	N A E	T	T C	T C D	T C D T	T C D G T	T C G	T C S T	T C S G T	T S	T R	T R G	T F T	C G F T	N	CC	2SIC	SICM	SICAL	2SICAL
DGE 50/2/G50V B0BM/50			●				●								●			●		
DGE 75/2/G50V B0BM/50			●				●								●			●		
DGE 100/2/G50V B0CM/50			●				●								●			●		
DGE 150/2/G50V B0CM/50			●				●								●			●		
DGE 200/2/G50V B0CM/50			●				●								●			●		
DGE 50/2/G50V B0BT/50	●												●		●			●		
DGE 75/2/G50V B0BT/50	●												●		●			●		
DGE 100/2/G50V B0CT/50	●												●		●			●		
DGE 150/2/G50V B0CT/50	●												●		●			●		
DGE 200/2/G50V B0CT/50	●												●		●			●		
DGE 50/2/G50H A1BM/50			●				●								●			●		
DGE 75/2/G50H A1BM/50			●				●								●			●		
DGE 100/2/G50H A0CM/50			●				●								●			●		
DGE 150/2/G50H A0CM/50			●				●								●			●		
DGE 200/2/G50H A0CM/50			●				●								●			●		
DGE 50/2/G50H A1BT/50	●												●		●			●		
DGE 75/2/G50H A1BT/50	●												●		●			●		
DGE 100/2/G50H A0CT/50	●												●		●			●		
DGE 150/2/G50H A0CT/50	●												●		●			●		
DGE 200/2/G50H A0CT/50	●												●		●			●		

Overall dimensions and weights

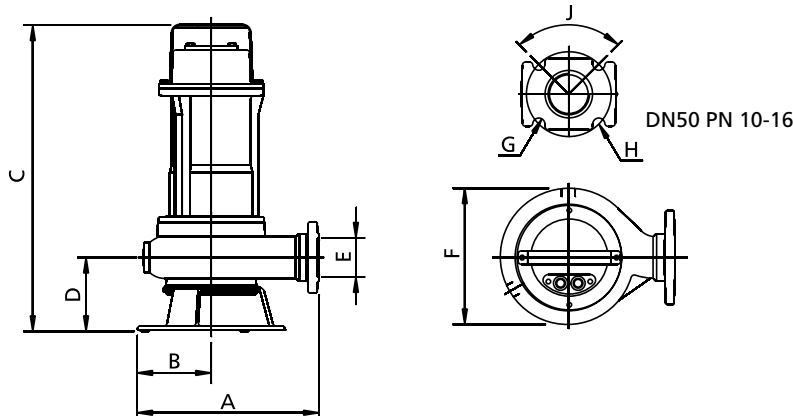
Models with vertical delivery port



	A	B	C	D	E	F	kg
DGE 50/2/G50V B0BM(T)/50	230	80	385	120	G 2"	165	12
DGE 75/2/G50V B0BM(T)/50	230	80	385	120	G 2"	165	14
DGE 100/2/G50V B0CM(T)/50	270	100	425	130	G 2"	205	19
DGE 150/2/G50V B0CM(T)/50	270	100	425	130	G 2"	205	20
DGE 200/2/G50V B0CM(T)/50	270	100	425	130	G 2"	205	21

Measurements in mm

Models with horizontal delivery port

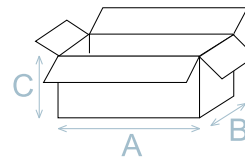


	A	B	C	D	E	F	G	H	J	kg
DGE 50/2/G50H A1BM(T)/50	220	80	365	65	G 2"-DN50	160	18	125	90°	12
DGE 75/2/G50H A1BM(T)/50	220	80	365	65	G 2"-DN50	160	18	125	90°	14
DGE 100/2/G50H A0CM(T)/50	270	110	455	110	G 2"-DN50	205	18	125	90°	19
DGE 150/2/G50H A0CM(T)/50	270	110	455	110	G 2"-DN50	205	18	125	90°	20
DGE 200/2/G50H A0CM(T)/50	270	110	455	110	G 2"-DN50	205	18	125	90°	21

Measurements in mm

Packaging dimension

	A	B	C
DGE 50/2/G50V B0BM(T)/50	385	225	245
DGE 75/2/G50V B0BM(T)/50	385	225	245
DGE 100/2/G50V B0CM(T)/50	475	285	235
DGE 150/2/G50V B0CM(T)/50	475	285	235
DGE 200/2/G50V B0CM(T)/50	475	285	235
DGE 50/2/G50H A1BM(T)/50	385	225	245
DGE 75/2/G50H A1BM(T)/50	385	225	245
DGE 100/2/G50H A0CM(T)/50	475	285	235
DGE 150/2/G50H A0CM(T)/50	475	285	235
DGE 200/2/G50H A0CM(T)/50	475	285	235



Dimension in mm

No. pieces per pallet

For DGE models each pallet (EUR 1000X1200 mm) is able to take 48 pieces.
 For DGE models each pallet (EUR 1000X1200 mm) is able to take 32 pieces.

Installations available

